

MA 212-350M Modular



Pitch: 3.50mm(0.138inch)

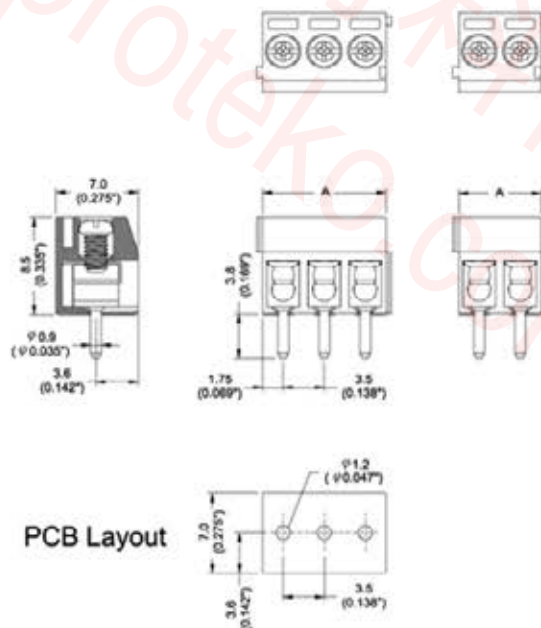


SPECIFICATIONS

| | | | CUL | VDE |
|-------------|-----------------------|------------------------|-----------------------------|-----|
| 負載電壓 | Rated Voltage | Bemessungsspannung | AC 300V | |
| 負載電流 | Rated Current | Bemessungsstrom | 6A | |
| 電線線徑 | Wire Size | Leitergrößen | 26~16AWG | |
| 塑膠本體 | Housing Material | Isolierstofftyp | Polyamide66(UL94V-0) | |
| 端子 | Terminal | Stiftmateril | Brass, Tin plated | |
| 彈片 | Wire protector | Kable schutzeinrichurg | Phosphor bronze, Tin plated | |
| 螺絲 | Screw Size | Schraubengewinde | M2.0, steel, Zinc plated | |
| 操作溫度 | Operating Temperature | Umgebungstemperatur | -40°C to + 105°C | |
| 扭力 | Torque | Anzugsmoment | 2.5 lb-inch | |
| PC板孔徑 | PCB Hole Diameter | Lochdurchmesser | φ 1.2mm | |
| UL File No. | E167040 | | | |

TABLE

| Item No. | A(mm) | A(inch) |
|--------------|-------|---------|
| MA212-350M02 | 7.0 | 0.276 |
| MA212-350M03 | 10.5 | 0.413 |



MA 311-100 Single mold



Pitch: 10.00mm(0.394inch)

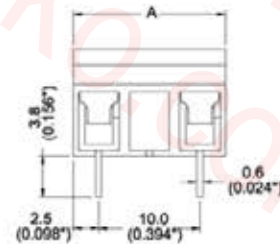
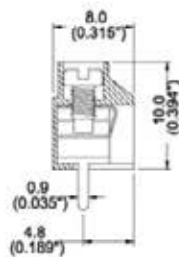


SPECIFICATIONS

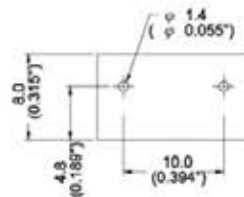
| | | | CUL | VDE |
|-------------|-----------------------|-------------------------|--------------------------|-----|
| 負載電壓 | Rated Voltage | Bemessungsspannung | AC 300V | |
| 負載電流 | Rated Current | Bemessungsstrom | 15A | |
| 電線線徑 | Wire Size | Leitergrößen | 26~14AWG | |
| 塑膠本體 | Housing Material | Isolierstofftyp | Polyamide66(UL94V-0) | |
| 端子 | Terminal | Stiftmateril | Brass, Tin plated | |
| 彈片 | Wire protector | Kable schutzeinrichtung | Stainless strip steel | |
| 螺絲 | Screw Size | Schraubengewinde | M2.6, steel, Zinc plated | |
| 操作溫度 | Operating Temperature | Umgebungstemperatur | -40°C to + 105°C | |
| 扭力 | Torque | Anzugsmoment | 3.0 lb-inch | |
| PC板孔徑 | PCB Hole Diameter | Lochdurchmesser | φ 1.4mm | |
| UL File No. | E167040 | | | |

TABLE

| Item No. | A(mm) | A(inch) |
|-------------|-------|---------|
| MA311-10002 | 15.0 | 0.591 |
| MA311-10003 | 25.0 | 0.984 |
| MA311-10004 | 35.0 | 1.378 |
| MA311-10005 | 45.0 | 1.772 |
| MA311-10006 | 55.0 | 2.165 |
| MA311-10007 | 65.0 | 2.559 |
| MA311-10008 | 75.0 | 2.953 |
| MA311-10009 | 85.0 | 3.346 |
| MA311-10010 | 95.0 | 3.740 |
| MA311-10011 | 105.0 | 4.134 |
| MA311-10012 | 115.0 | 4.528 |
| MA311-10013 | 125.0 | 4.921 |
| MA311-10014 | 135.0 | 5.315 |



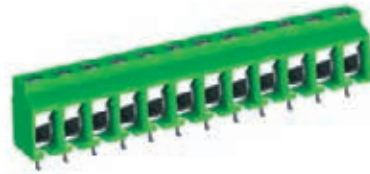
PCB Layout



MA 311-500 Single mold



Pitch: 5.00mm(0.197inch)

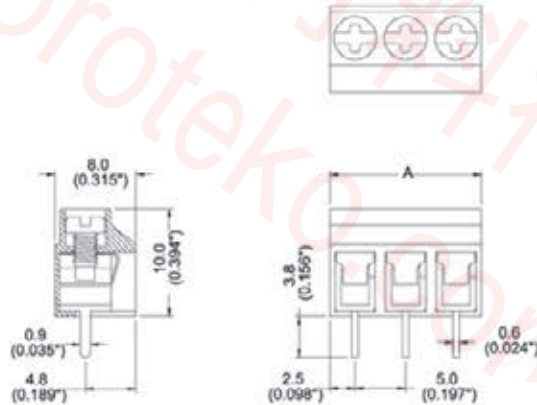


SPECIFICATIONS

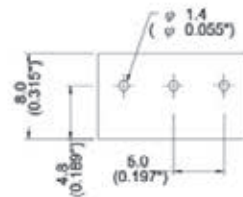
| | | | CUL | VDE |
|-------------|-----------------------|-------------------------|--------------------------|-----|
| 負載電壓 | Rated Voltage | Bemessungsspannung | AC 300V | |
| 負載電流 | Rated Current | Bemessungsstrom | 15A | |
| 電線線徑 | Wire Size | Leitergrößen | 26~14AWG | |
| 塑膠本體 | Housing Material | Isolierstofftyp | Polyamide66(UL94V-0) | |
| 端子 | Terminal | Stiftmateril | Brass, Tin plated | |
| 彈片 | Wire protector | Kable schutzeinrichtung | Stainless strip steel | |
| 螺絲 | Screw Size | Schraubengewinde | M2.6, steel, Zinc plated | |
| 操作溫度 | Operating Temperature | Umgebungstemperatur | -40°C to + 105°C | |
| 扭力 | Torque | Anzugsmoment | 4.0 lb-inch | |
| PC板孔徑 | PCB Hole Diameter | Lochdurchmesser | φ 1.4mm | |
| UL File No. | E167040 | | | |

TABLE

| Item No. | A(mm) | A(inch) |
|-------------|-------|---------|
| MA311-50002 | 10.0 | 0.394 |
| MA311-50003 | 15.0 | 0.591 |
| MA311-50004 | 20.0 | 0.787 |
| MA311-50005 | 25.0 | 0.984 |
| MA311-50006 | 30.0 | 1.181 |
| MA311-50007 | 35.0 | 1.378 |
| MA311-50008 | 40.0 | 1.575 |
| MA311-50009 | 45.0 | 1.772 |
| MA311-50010 | 50.0 | 1.969 |
| MA311-50011 | 55.0 | 2.165 |
| MA311-50012 | 60.0 | 2.362 |
| MA311-50013 | 65.0 | 2.559 |
| MA311-50014 | 70.0 | 2.756 |
| MA311-50015 | 75.0 | 2.953 |
| MA311-50016 | 80.0 | 3.150 |
| MA311-50017 | 85.0 | 3.346 |
| MA311-50018 | 90.0 | 3.543 |
| MA311-50019 | 95.0 | 3.740 |
| MA311-50020 | 100.0 | 3.937 |
| MA311-50021 | 105.0 | 4.134 |
| MA311-50022 | 110.0 | 4.331 |
| MA311-50023 | 115.0 | 4.528 |
| MA311-50024 | 120.0 | 4.724 |
| MA311-50025 | 125.0 | 4.921 |
| MA311-50026 | 130.0 | 5.118 |
| MA311-50027 | 135.0 | 5.315 |



PCB Layout



MA 321-100 Single mold



Pitch: 10.00mm(0.394inch)

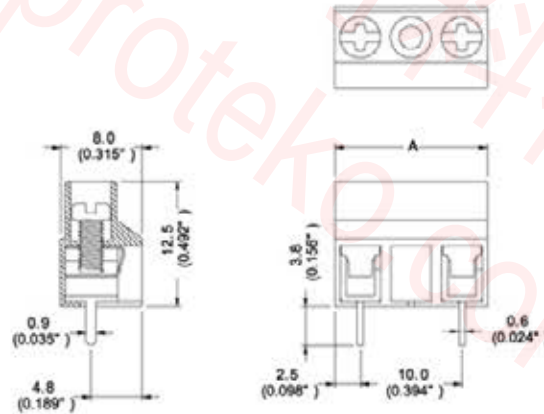


SPECIFICATIONS

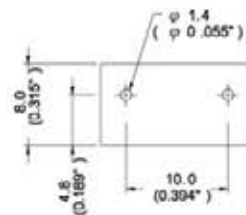
| | | | CUL | VDE |
|-------------|-----------------------|-------------------------|--------------------------|-----|
| 負載電壓 | Rated Voltage | Bemessungsspannung | AC 300V | |
| 負載電流 | Rated Current | Bemessungsstrom | 15A | |
| 電線線徑 | Wire Size | Leitergrößen | 26~14AWG | |
| 塑膠本體 | Housing Material | Isolierstofftyp | Polyamide66(UL94V-0) | |
| 端子 | Terminal | Stiftmateril | Brass, Tin plated | |
| 彈片 | Wire protector | Kable schutzeinrichtung | Stainless strip steel | |
| 螺絲 | Screw Size | Schraubengewinde | M2.6, steel, Zinc plated | |
| 操作溫度 | Operating Temperature | Umgebungstemperatur | -40°C to + 105°C | |
| 扭力 | Torque | Anzugsmoment | 3.0 lb-inch | |
| PC板孔徑 | PCB Hole Diameter | Lochdurchmesser | φ 1.4mm | |
| UL File No. | E167040 | | | |

TABLE

| Item No. | A(mm) | A(inch) |
|-------------|-------|---------|
| MA321-10002 | 15.0 | 0.591 |
| MA321-10003 | 25.0 | 0.984 |
| MA321-10004 | 35.0 | 1.378 |
| MA321-10005 | 45.0 | 1.772 |
| MA321-10006 | 55.0 | 2.165 |
| MA321-10007 | 65.0 | 2.559 |
| MA321-10008 | 75.0 | 2.953 |
| MA321-10009 | 85.0 | 3.346 |
| MA321-10010 | 95.0 | 3.740 |
| MA321-10011 | 105.0 | 4.134 |
| MA321-10012 | 115.0 | 4.528 |
| MA321-10013 | 125.0 | 4.921 |
| MA321-10014 | 135.0 | 5.315 |



PCB Layout



MA 321-500 Single mold



Pitch: 5.00mm(0.197inch)

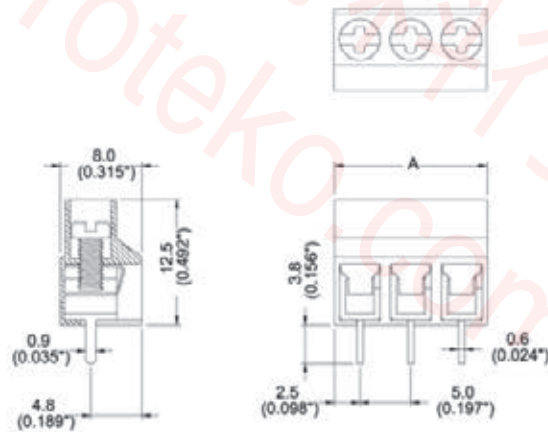


SPECIFICATIONS

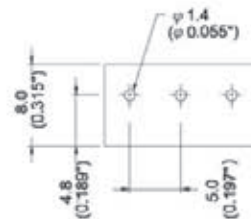
| | | | CUL | VDE |
|-------------|-----------------------|-------------------------|--------------------------|-----|
| 負載電壓 | Rated Voltage | Bemessungsspannung | AC 300V | |
| 負載電流 | Rated Current | Bemessungsstrom | 15A | |
| 電線線徑 | Wire Size | Leitergrößen | 26-14AWG | |
| 塑膠本體 | Housing Material | Isolierstofftyp | Polyamide66(UL94V-0) | |
| 端子 | Terminal | Stiftmateril | Brass, Tin plated | |
| 彈片 | Wire protector | Kable schutzeinrichtung | Stainless strip steel | |
| 螺絲 | Screw Size | Schraubengewinde | M2.6, steel, Zinc plated | |
| 操作溫度 | Operating Temperature | Umgebungstemperatur | -40°C to + 105°C | |
| 扭力 | Torque | Anzugsmoment | 3.0 lb-inch | |
| PC板孔徑 | PCB Hole Diameter | Lochdurchmesser | φ 1.4mm | |
| UL File No. | E167040 | | | |

TABLE

| Item No. | A(mm) | A(inch) |
|-------------|-------|---------|
| MA321-50002 | 10.0 | 0.394 |
| MA321-50003 | 15.0 | 0.591 |
| MA321-50004 | 20.0 | 0.787 |
| MA321-50005 | 25.0 | 0.984 |
| MA321-50006 | 30.0 | 1.181 |
| MA321-50007 | 35.0 | 1.378 |
| MA321-50008 | 40.0 | 1.575 |
| MA321-50009 | 45.0 | 1.772 |
| MA321-50010 | 50.0 | 1.969 |
| MA321-50011 | 55.0 | 2.165 |
| MA321-50012 | 60.0 | 2.362 |
| MA321-50013 | 65.0 | 2.559 |
| MA321-50014 | 70.0 | 2.756 |
| MA321-50015 | 75.0 | 2.953 |
| MA321-50016 | 80.0 | 3.150 |
| MA321-50017 | 85.0 | 3.346 |
| MA321-50018 | 90.0 | 3.543 |
| MA321-50019 | 95.0 | 3.740 |
| MA321-50020 | 100.0 | 3.937 |
| MA321-50021 | 105.0 | 4.134 |
| MA321-50022 | 110.0 | 4.331 |
| MA321-50023 | 115.0 | 4.528 |
| MA321-50024 | 120.0 | 4.724 |
| MA321-50025 | 125.0 | 4.921 |
| MA321-50026 | 130.0 | 5.118 |
| MA321-50027 | 135.0 | 5.315 |

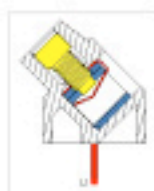


PCB Layout



Pitch: 5.00mm(0.197inch)

- **Description:**
- Pitch : 5.00mm (0.197inch)

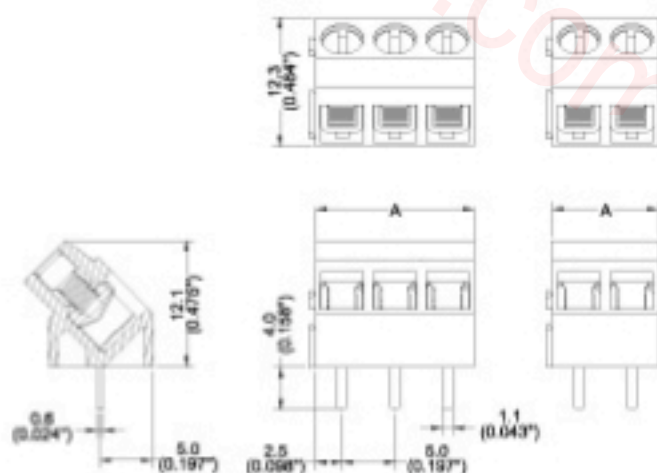


SPECIFICATIONS

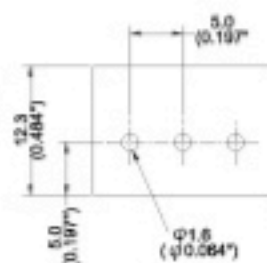
| | | | |
|-------|-----------------------|------------------------|--------------------------|
| 負載電壓 | Rated Voltage | Bemessungsspannung | AC 300V |
| 負載電流 | Rated Current | Bemessungsstrom | 8A |
| 電線線徑 | Wire Size | Leitergrößen | 22~18AWG |
| 塑膠本體 | Housing Material | Isolierstofftyp | Polyamide66(UL94V-0) |
| 端子 | Terminal | Stiftmateril | Brass, Tin plated |
| 彈片 | Wire protector | Kable schutzeinrichurg | Stainless strip steel |
| 螺絲 | Screw Size | Schraubengewinde | M2.6, steel, Zinc plated |
| 操作溫度 | Operating Temperature | Umgebungstemperatur | -40°C to + 105°C |
| 扭力 | Torque | Anzugsmoment | 4.0 lb-inch |
| PC板孔徑 | PCB Hole Diameter | Lochdurchmesser | φ 1.6mm |

TABLE

| Item No. | A(mm) | A(inch) |
|--------------|-------|---------|
| MA325-500M02 | 10.0 | 0.394 |
| MA325-500M04 | 15.0 | 0.591 |

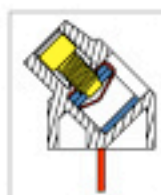


PCB Layout



Pitch: 5.08mm(0.200inch)

- **Description:**
- Pitch : 5.08mm (0.200inch)

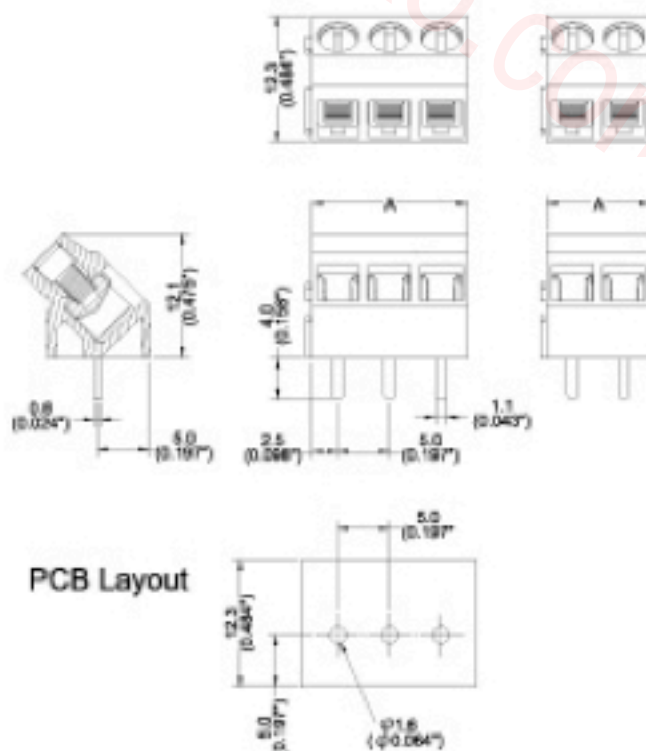


SPECIFICATIONS

| | | | |
|-------|-----------------------|-------------------------|--------------------------|
| 負載電壓 | Rated Voltage | Bemessungsspannung | AC 300V |
| 負載電流 | Rated Current | Bemessungsstrom | 8A |
| 電線線徑 | Wire Size | Leitergrößen | 22~18AWG |
| 塑膠本體 | Housing Material | Isolierstofftyp | Polyamide66(UL94V-0) |
| 端子 | Terminal | Stiftmateril | Brass, Tin plated |
| 彈片 | Wire protector | Kable schutzeinrichtung | Stainless strip steel |
| 螺絲 | Screw Size | Schraubengewinde | M2.6, steel, Zinc plated |
| 操作溫度 | Operating Temperature | Umgebungstemperatur | -40°C to + 105°C |
| 扭力 | Torque | Anzugsmoment | 4.0 lb-inch |
| PC板孔徑 | PCB Hole Diameter | Lochdurchmesser | φ1.3mm |

TABLE

| Item No. | A(mm) | A(inch) |
|-------------|-------|---------|
| MA325-50802 | 10.16 | 0.400 |
| MA325-50803 | 15.24 | 0.600 |



MA 331-100M Modular



Pitch: 10.00mm(0.394inch)

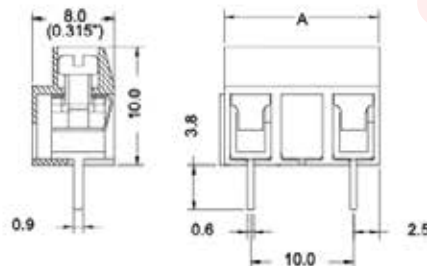


SPECIFICATIONS

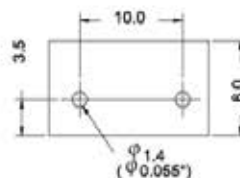
| | | | CUL | VDE |
|-------------|-----------------------|------------------------|--------------------------|-----|
| 負載電壓 | Rated Voltage | Bemessungsspannung | AC 300V | |
| 負載電流 | Rated Current | Bemessungsstrom | 15A | |
| 電線線徑 | Wire Size | Leitergrößen | 26~14AWG | |
| 塑膠本體 | Housing Material | Isolierstofftyp | Polyamide66(UL94V-0) | |
| 端子 | Terminal | Stiftmateril | Brass, Tin plated | |
| 彈片 | Wire protector | Kable schutzeinrichurg | Stainless strip steel | |
| 螺絲 | Screw Size | Schraubengewinde | M2.6, steel, Zinc plated | |
| 操作溫度 | Operating Temperature | Umgebungstemperatur | -40°C to + 105°C | |
| 扭力 | Torque | Anzugsmoment | 2.5 lb-inch | |
| PC板孔徑 | PCB Hole Diameter | Lochdurchmesser | φ 1.4mm | |
| UL File No. | E167040 | | | |

TABLE

| Item No. | A(mm) | A(inch) |
|--------------|-------|---------|
| MA331-100M01 | 10.0 | 0.394 |
| MA331-100M02 | 15.0 | 0.591 |



PCB Layout



MA 331-500M Modular



Pitch: 5.00mm(0.197inch)

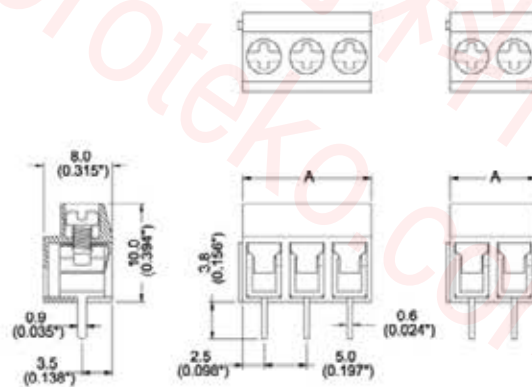


SPECIFICATIONS

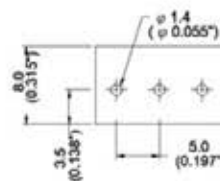
| | | | CUL | VDE |
|-------------|-----------------------|-------------------------|--------------------------|-----|
| 負載電壓 | Rated Voltage | Bemessungsspannung | AC 300V | |
| 負載電流 | Rated Current | Bemessungsstrom | 15A | |
| 電線線徑 | Wire Size | Leitergrößen | 26~14AWG | |
| 塑膠本體 | Housing Material | Isolierstofftyp | Polyamide66(UL94V-0) | |
| 端子 | Terminal | Stiftmateril | Brass, Tin plated | |
| 彈片 | Wire protector | Kable schutzeinrichtung | Stainless strip steel | |
| 螺絲 | Screw Size | Schraubengewinde | M2.6, steel, Zinc plated | |
| 操作溫度 | Operating Temperature | Umgebungstemperatur | -40°C to + 105°C | |
| 扭力 | Torque | Anzugsmoment | 2.5 lb-inch | |
| PC板孔徑 | PCB Hole Diameter | Lochdurchmesser | φ 1.4mm | |
| UL File No. | E167040 | | | |

TABLE

| Item No. | A(mm) | A(inch) |
|--------------|-------|---------|
| MA331-500M02 | 10.0 | 0.394 |
| MA331-500M03 | 15.0 | 0.591 |



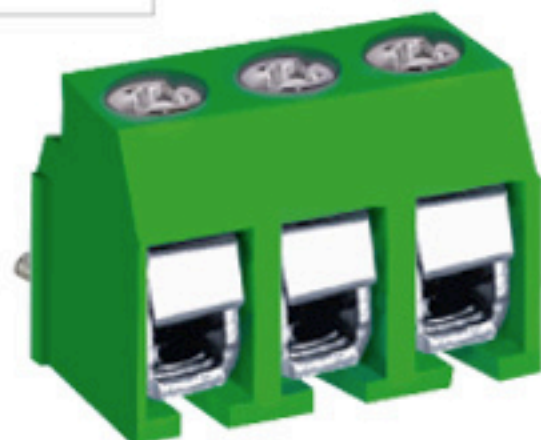
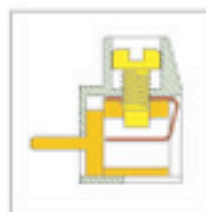
PCB Layout



Note:
Screw Plating: Changes are available upon request

Pitch: 5.00mm(0.197inch)

- **Description:**
- Pitch : 5.00mm (0.197inch)

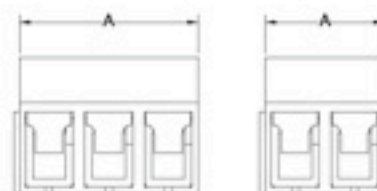
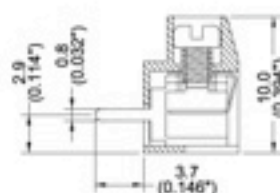
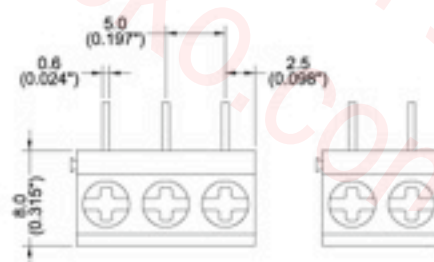


SPECIFICATIONS

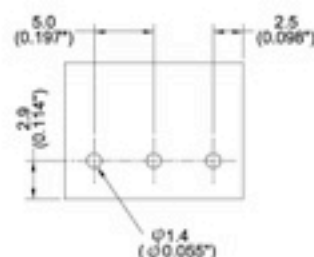
| | | | |
|-------|-----------------------|-------------------------|--------------------------|
| 負載電壓 | Rated Voltage | Bemessungsspannung | AC 300V |
| 負載電流 | Rated Current | Bemessungsstrom | 15A |
| 電線線徑 | Wire Size | Leitergrößen | 26~14AWG |
| 塑膠本體 | Housing Material | Isolierstofftyp | Polyamide66(UL94V-0) |
| 端子 | Terminal | Stiftmateriel | Brass, Tin plated |
| 彈片 | Wire protector | Kable schutzeinrichtung | Stainless strip steel |
| 螺絲 | Screw Size | Schraubengewinde | M2.6, steel, Zinc plated |
| 操作溫度 | Operating Temperature | Umgebungstemperatur | -40°C to + 105°C |
| 扭力 | Torque | Anzugsmoment | 4.0 lb-inch |
| PC板孔徑 | PCB Hole Diameter | Lochdurchmesser | φ 1.4mm |

TABLE

| Item No. | A(mm) | A(inch) |
|--------------|-------|---------|
| MA334-500M02 | 10.00 | 0.394 |
| MA334-500M03 | 15.00 | 0.591 |



PCB Layout



MA 412-500M Modular



Pitch: 5.00mm(0.197inch)

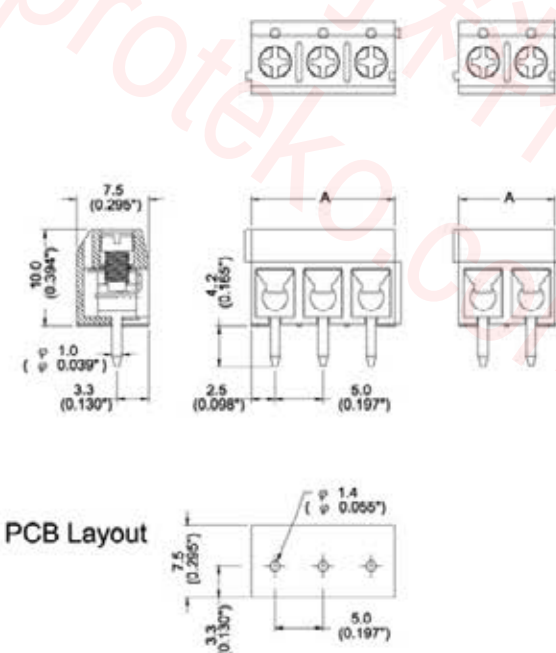
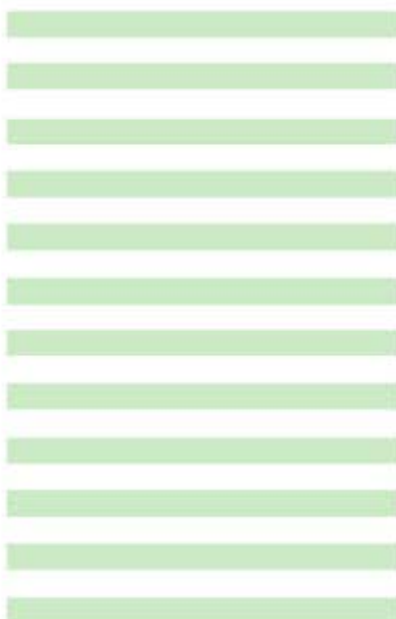


SPECIFICATIONS

| | | | CUL | VDE |
|-------------|-----------------------|-------------------------|-----------------------------|------------------------|
| 負載電壓 | Rated Voltage | Bemessungsspannung | AC 300V | AC 250V |
| 負載電流 | Rated Current | Bemessungsstrom | 16A | 16A |
| 電線線徑 | Wire Size | Leitergrößen | 26~12AWG | 0.2~1.5mm ² |
| 塑膠本體 | Housing Material | Isolierstofftyp | Polyamide66(UL94V-0) | |
| 端子 | Terminal | Stiftmateril | Brass, Tin plated | |
| 彈片 | Wire protector | Kable schutzeinrichtung | Phosphor bronze, Tin plated | |
| 螺絲 | Screw Size | Schraubengewinde | M2.6, steel, Zinc plated | |
| 操作溫度 | Operating Temperature | Umgebungstemperatur | -40°C to + 105°C | |
| 扭力 | Torque | Anzugsmoment | 4.0 lb-inch | |
| PC板孔徑 | PCB Hole Diameter | Lochdurchmesser | φ 1.4mm | |
| UL File No. | E167040 | | | |

TABLE

| Item No. | A(mm) | A(inch) |
|--------------|-------|---------|
| MA412-500M02 | 10.0 | 0.394 |
| MA412-500M03 | 15.0 | 0.591 |



Note:
Screw Plating.Changes are available upon request

MA 414-500M Modular



Pitch: 5.00mm(0.197inch)

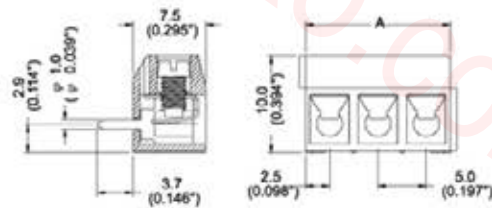
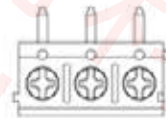


SPECIFICATIONS

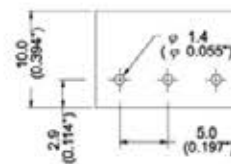
| | | | CUL | VDE |
|-------|-----------------------|-------------------------|-----------------------------|------------------------|
| 負載電壓 | Rated Voltage | Bemessungsspannung | | |
| 負載電流 | Rated Current | Bemessungsstrom | | |
| 電線線徑 | Wire Size | Leitergrößen | 26~12AWG | 0.2~1.5mm ² |
| 塑膠本體 | Housing Material | Isolierstofftyp | Polyamide66(UL94V-0) | |
| 端子 | Terminal | Stiftmateril | Brass, Tin plated | |
| 彈片 | Wire protector | Kable schutzeinrichtung | Phosphor bronze, Tin plated | |
| 螺絲 | Screw Size | Schraubengewinde | M2.6, steel, Zinc plated | |
| 操作溫度 | Operating Temperature | Umgebungstemperatur | -40°C to + 105°C | |
| 扭力 | Torque | Anzugsmoment | 4.0 lb-inch | |
| PC板孔徑 | PCB Hole Diameter | Lochdurchmesser | φ 1.4mm | |

TABLE

| Item No. | A(mm) | A(inch) |
|--------------|-------|---------|
| MA414-500M02 | 10.0 | 0.394 |
| MA414-500M03 | 15.0 | 0.591 |



PCB Layout



MA 522-500M Modular



Pitch: 5.00mm(0.197inch)

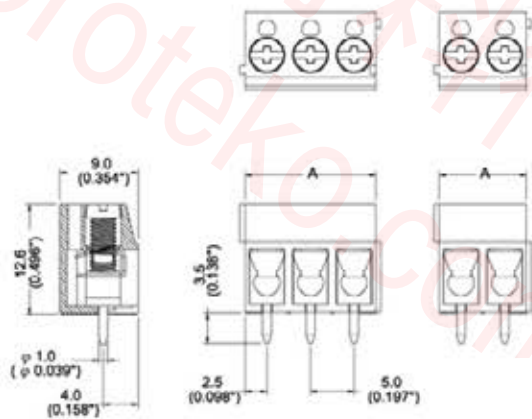


SPECIFICATIONS

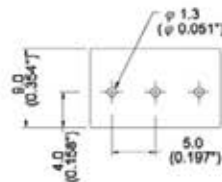
| | | | CUL | VDE |
|-------------|-----------------------|-------------------------|-----------------------------|------------------------|
| 負載電壓 | Rated Voltage | Bemessungsspannung | AC 300V | AC 250V |
| 負載電流 | Rated Current | Bemessungsstrom | 16A | 16A |
| 電線線徑 | Wire Size | Leitergrößen | 22~14AWG | 0.2~2.5mm ² |
| 塑膠本體 | Housing Material | Isolierstofftyp | Polyamide66(UL94V-0) | |
| 端子 | Terminal | Stiftmateril | Brass, Tin plated | |
| 彈片 | Wire protector | Kable schutzeinrichtung | Phosphor bronze, Tin plated | |
| 螺絲 | Screw Size | Schraubengewinde | M3.0, steel, Zinc plated | |
| 操作溫度 | Operating Temperature | Umgebungstemperatur | -40°C to + 105°C | |
| 扭力 | Torque | Anzugsmoment | 4.0 lb-inch | |
| PC板孔徑 | PCB Hole Diameter | Lochdurchmesser | φ 1.3mm | |
| UL File No. | E167040 | | | |

TABLE

| Item No. | A(mm) | A(inch) |
|--------------|-------|---------|
| MA522-500M02 | 10.0 | 0.394 |
| MA522-500M03 | 15.0 | 0.591 |



PCB Layout



Note:

Screw Plating: Changes are available upon request

MA 524-500M Modular



Pitch: 5.00mm(0.197inch)

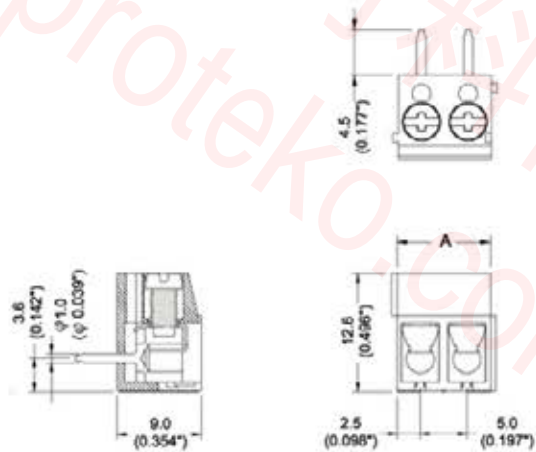


SPECIFICATIONS

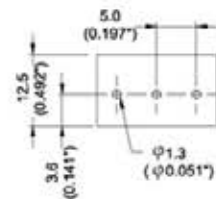
| SPECIFICATIONS | | | CUL | VDE |
|----------------|-----------------------|-------------------------|----------------------------|------------------------|
| 負載電壓 | Rated Voltage | Bemessungsspannung | | |
| 負載電流 | Rated Current | Bemessungsstrom | | |
| 電線線徑 | Wire Size | Leitergrößen | 22~14AWG | 0.2~2.5mm ² |
| 塑膠本體 | Housing Material | Isolierstofftyp | Polyamide66(UL94V-0) | |
| 端子 | Terminal | Stiftmateril | Brass, Tin plated | |
| 彈片 | Wire protector | Kable schutzeinrichtung | Phospher bronze Tin plated | |
| 螺絲 | Screw Size | Schraubengewinde | M3.0, steel, Zinc plated | |
| 操作溫度 | Operating Temperature | Umgebungstemperatur | -40°C to + 105°C | |
| 扭力 | Torque | Anzugsmoment | 4.0 lb-inch | |
| PC板孔徑 | PCB Hole Diameter | Lochdurchmesser | φ 1.3mm | |

TABLE

| Item No. | A(mm) | A(inch) |
|--------------|-------|---------|
| MA524-500M02 | 10.0 | 0.394 |
| MA524-500M03 | 15.0 | 0.591 |



PCB Layout

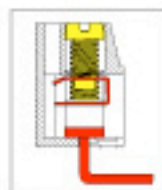


Note:

Screw Plating: Changes are available upon request

Pitch: 5.00mm(0.197inch)

- **Description:**
- Pitch : 5.00mm (0.197inch)

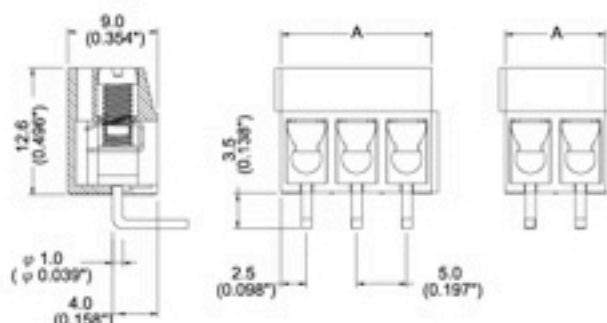


SPECIFICATIONS

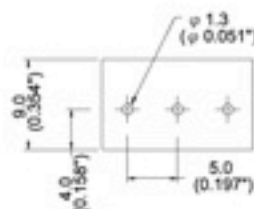
| | | | |
|-------------|-----------------------|-------------------------|-----------------------------|
| 負載電壓 | Rated Voltage | Bemessungsspannung | AC 300V |
| 負載電流 | Rated Current | Bemessungsstrom | 16A |
| 電線線徑 | Wire Size | Leitergrößen | 22~14AWG |
| 塑膠本體 | Housing Material | Isolierstofftyp | Polyamide66(UL94V-0) |
| 端子 | Terminal | Stiftmateril | Brass, Tin plated |
| 彈片 | Wire protector | Kable schutzeinrichtung | Phosphor bronze, Tin plated |
| 螺絲 | Screw Size | Schraubengewinde | M3.0, steel, Zinc plated |
| 操作溫度 | Operating Temperature | Umgebungstemperatur | -40°C to + 105°C |
| 扭力 | Torque | Anzugsmoment | 4.0 lb-inch |
| PC板孔徑 | PCB Hole Diameter | Lochdurchmesser | φ 1.3mm |
| UL File No. | E167040 | | |

TABLE

| Item No. | A(mm) | A(inch) |
|--------------|-------|---------|
| MA525-500M02 | 10.0 | 0.394 |
| MA525-500M03 | 15.0 | 0.591 |



PCB Layout



Note:

Screw Plating: Changes are available upon request

MA 527-500M Modular



Pitch: 5.00mm(0.197inch)

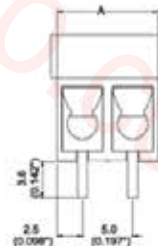
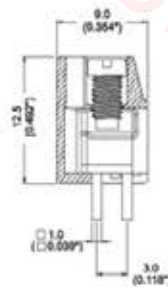


SPECIFICATIONS

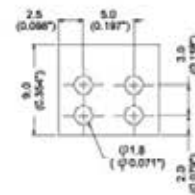
| | | | CUL | VDE |
|-------|-----------------------|-------------------------|----------------------------|------------------------|
| 負載電壓 | Rated Voltage | Bemessungsspannung | | |
| 負載電流 | Rated Current | Bemessungsstrom | | |
| 電線線徑 | Wire Size | Leitergrößen | 22~14AWG | 0.2~2.5mm ² |
| 塑膠本體 | Housing Material | Isolierstofftyp | Polyamide66(UL94V-0) | |
| 端子 | Terminal | Stiftmateril | Brass, Tin plated | |
| 彈片 | Wire protector | Kable schutzeinrichtung | Phospher bronze Tin plated | |
| 螺絲 | Screw Size | Schraubengewinde | M3.0, steel, Zinc plated | |
| 操作溫度 | Operating Temperature | Umgebungstemperatur | -40°C to + 105°C | |
| 扭力 | Torque | Anzugsmoment | 4.0 lb-inch | |
| PC板孔徑 | PCB Hole Diameter | Lochdurchmesser | φ 1.8mm | |

TABLE

| Item No. | A(mm) | A(inch) |
|--------------|-------|---------|
| MA527-500M02 | 10.0 | 0.394 |
| MA527-500M03 | 15.0 | 0.591 |



PCB Layout



Note:
Screw Plating: Changes are available upon request

MA 612-750M Modular



A-13

Pitch: 7.50mm(0.295inch)

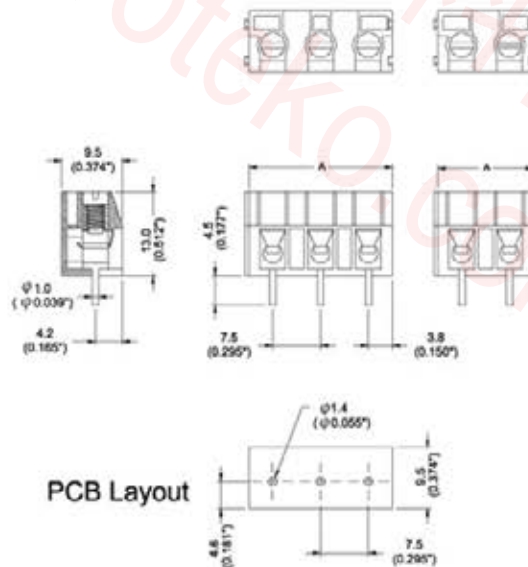


SPECIFICATIONS

| SPECIFICATIONS | | | CUL | VDE |
|----------------|-----------------------|-------------------------|------------------------|------------------------|
| 負載電壓 | Rated Voltage | Bemessungsspannung | | |
| 負載電流 | Rated Current | Bemessungsstrom | | |
| 電線線徑 | Wire Size | Leitergrößen | 22~14AWG | 0.2~2.5mm ² |
| 塑膠本體 | Housing Material | Isolierstofftyp | Polyamide66(UL94V-0) | |
| 端子 | Terminal | Stiftmateril | Brass, Tin plated | |
| 彈片 | Wire protector | Kable schutzeinrichtung | Stainless strip steel | |
| 螺絲 | Screw Size | Schraubengewinde | M3.0, steel, Ni plated | |
| 操作溫度 | Operating Temperature | Umgebungstemperatur | -40°C to + 105°C | |
| 扭力 | Torque | Anzugsmoment | 4.0 lb-inch | |
| PC板孔徑 | PCB Hole Diameter | Lochdurchmesser | φ 1.4mm | |

TABLE

| Item No. | A(mm) | A(inch) |
|--------------|-------|---------|
| MA612-750M02 | 15.00 | 0.591 |
| MA612-750M03 | 22.50 | 0.886 |



Note:
Screw Plating: Changes are available upon request

