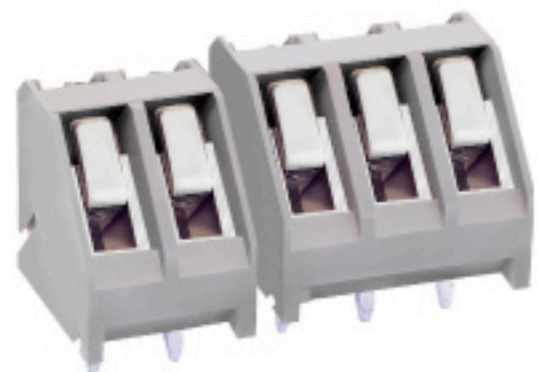


Pitch: 5.00mm(0.197inch)

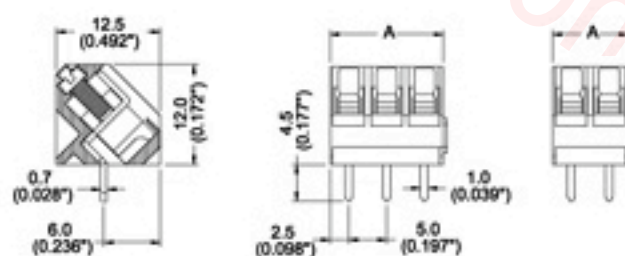
- **Description :**
- Pitch : 5.00 mm (0.197 inch)

C **AI**® US**SPECIFICATIONS**

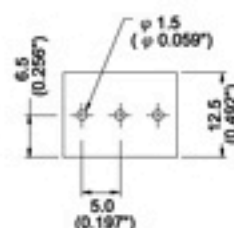
負載電壓	Rated Voltage	Bemessungsspannung	AC 300V
負載電流	Rated Current	Bemessungsstrom	10A
電線線徑	Wire Size	Leitergrößen	24~12AWG
塑膠本體	Housing Material	Isolierstofftyp	Polyamide66(UL94V-0)
押線圈	Cage Clamp	Klemmkörper	Steel, Ni plated
端子	Terminal	Stiftmaterial	Brass, Tin plated
螺絲	Screw Size	Schraubengewinde	M2.6, steel, Ni plated
操作溫度	Operating Temperature	Umgebungstemperatur	-40°C to + 105°C
扭力	Torque	Anzugsmoment	3.5 lb-inch
PC板孔徑	PCB Hole Diameter	Lochdurchmesser	φ 1.5mm
UL File No.	E167040		

TABLE

Item No.	A(mm)	A(inch)
MB220-500M02	10.0	0.394
MB220-500M03	15.0	0.591



PCB Layout



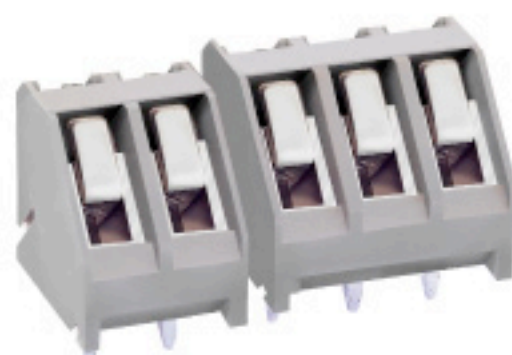
Note:

Screw Plating: Changes are available upon request

Cage Clamp: MB 223: Brass

Pitch: 5.00mm(0.197inch)

- Description :
- Pitch : 5.00 mm (0.197 inch)

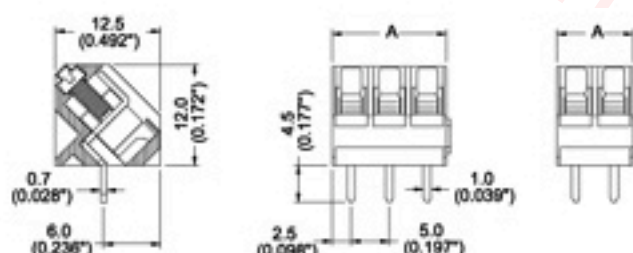


SPECIFICATIONS

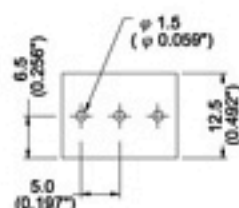
		CUL	
負載電壓	Rated Voltage	Bemessungsspannung	AC 300V
負載電流	Rated Current	Bemessungsstrom	10A
電線線徑	Wire Size	Leitergrößen	24~12AWG
塑膠本體	Housing Material	Isolierstofftyp	Polyamide66(UL94V-0)
押線圈	Cage Clamp	Klemmkörper	Brass, Tin plated
端子	Terminal	Stiftmaterial	Brass, Tin plated
螺絲	Screw Size	Schraubengewinde	M2.6, steel, Zinc plated
操作溫度	Operating Temperature	Umgebungstemperatur	-40°C to + 105°C
扭力	Torque	Anzugsmoment	3.5 lb-inch
PC板孔徑	PCB Hole Diameter	Lochdurchmesser	φ 1.5mm
UL File No.	E167040		

TABLE

Item No.	A(mm)	A(inch)
MB223-500M02	10.0	0.394
MB223-500M03	15.0	0.591



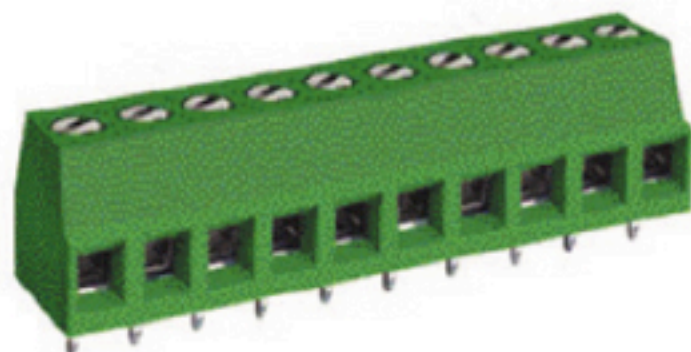
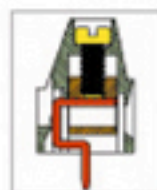
PCB Layout



Note:
Screw Plating: Changes are available upon request
Cage Clamp: MB 220: Steel

Pitch: 5.00mm(0.197inch)

- Description :
- Pitch : 5.00 mm (0.197 inch)

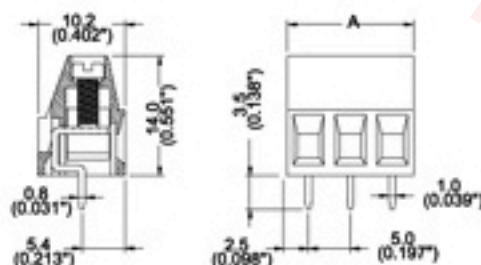


SPECIFICATIONS

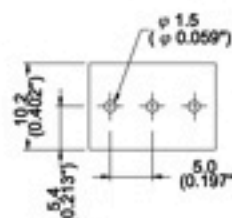
			CUL	VDE
負載電壓	Rated Voltage	Bemessungsspannung	AC 300V	AC 250V
負載電流	Rated Current	Bemessungsstrom	16A	16A
電線線徑	Wire Size	Leitergrößen	26~12AWG	0.2~4mm ²
塑膠本體	Housing Material	Isolierstofftyp	Polyamide66(UL94V-0)	
押線圈	Cage Clamp	Klemmkörper	Steel, Ni plated	
端子	Terminal	Stiftmaterial	Brass, Tin plated	
螺絲	Screw Size	Schraubengewinde	M2.6, steel, Ni plated	
操作溫度	Operating Temperature	Umgebungstemperatur	-40°C to + 105°C	
扭力	Torque	Anzugsmoment	7.0 lb-inch	
PC板孔徑	PCB Hole Diameter	Lochdurchmesser	φ 1.5mm	
UL File No.	E167040			

TABLE

Item No.	A(mm)	A(inch)
MB310-50002	10.0	0.394
MB310-50003	15.0	0.591
MB310-50004	20.0	0.787
MB310-50005	25.0	0.984
MB310-50006	30.0	1.181
MB310-50007	35.0	1.378
MB310-50008	40.0	1.575
MB310-50009	45.0	1.772
MB310-50010	50.0	1.969
MB310-50011	55.0	2.165
MB310-50012	60.0	2.362
MB310-50013	65.0	2.559
MB310-50014	70.0	2.756
MB310-50015	75.0	2.953
MB310-50016	80.0	3.150
MB310-50017	85.0	3.346
MB310-50018	90.0	3.543
MB310-50019	95.0	3.740
MB310-50020	100.0	3.937
MB310-50021	105.0	4.134
MB310-50022	110.0	4.331
MB310-50023	115.0	4.528
MB310-50024	120.0	4.724



PCB Layout



Note:

Screw Plating: Changes are available upon request

Cage Clamp: MB 312: Brass

MB 311: Zinc

MB 310-500M Modular



Pitch: 5.00mm(0.197inch)

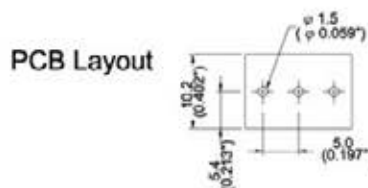
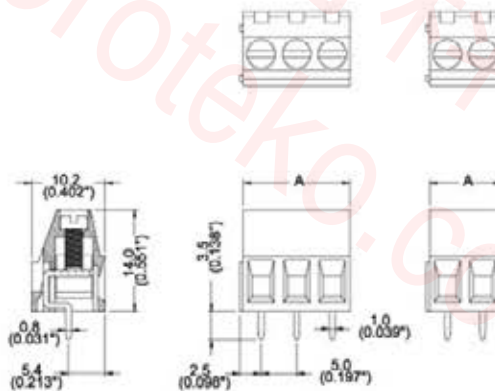


SPECIFICATIONS

			CUL	VDE
負載電壓	Rated Voltage	Bemessungsspannung	AC 300V	AC 250V
負載電流	Rated Current	Bemessungsstrom	16A	16A
電線線徑	Wire Size	Leitergrößen	26~12AWG	0.2~4mm ²
塑膠本體	Housing Material	Isolierstofftyp	Polyamide66(UL94V-0)	
押線圈	Cage Clamp	Klemmkörper	Steel, Ni plated	
端子	Terminal	Stiftmaterial	Brass, Tin plated	
螺絲	Screw Size	Schraubengewinde	M2.6, steel, Ni plated	
操作溫度	Operating Temperature	Umgebungstemperatur	-40°C to + 105°C	
扭力	Torque	Anzugsmoment	7.0 lb-inch	
PC板孔徑	PCB Hole Diameter	Lochdurchmesser	φ 1.5mm	
UL File No.	E167040			

TABLE

Item No.	A(mm)	A(inch)
MB310-500M02	10.0	0.394
MB310-500M03	15.0	0.591



Note:
Screw Plating: Changes are available upon request
Cage Clamp: MB 312: Brass
MB 311: Zinc

MB 310-508 Single mold



Pitch: 5.08mm(0.200inch)

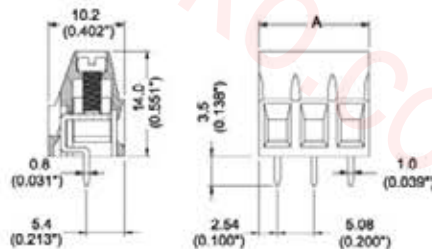


SPECIFICATIONS

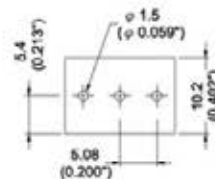
			CUL	VDE
負載電壓	Rated Voltage	Bemessungsspannung	AC 300V	AC 250V
負載電流	Rated Current	Bemessungsstrom	16A	16A
電線線徑	Wire Size	Leitergrößen	26~12AWG	0.2~4mm ²
塑膠本體	Housing Material	Isolierstofftyp	Polyamide66(UL94V-0)	
押線圈	Cage Clamp	Klemmkörper	Steel, Ni plated	
端子	Terminal	Stiftmaterial	Brass, Tin plated	
螺絲	Screw Size	Schraubengewinde	M2.6, steel, Ni plated	
操作溫度	Operating Temperature	Umgebungstemperatur	-40°C to + 105°C	
扭力	Torque	Anzugsmoment	7.0 lb-inch	
PC板孔徑	PCB Hole Diameter	Lochdurchmesser	φ 1.5mm	
UL File No.	E167040			

TABLE

Item No.	A(mm)	A(Inch)
MB310-50802	10.2	0.400
MB310-50803	15.2	0.600
MB310-50804	20.3	0.800
MB310-50805	25.4	1.000
MB310-50806	30.5	1.200
MB310-50807	35.6	1.400
MB310-50808	40.6	1.600
MB310-50809	45.7	1.800
MB310-50810	50.8	2.000
MB310-50811	55.9	2.200
MB310-50812	61.0	2.400
MB310-50813	66.0	2.600
MB310-50814	71.1	2.800
MB310-50815	76.2	3.000
MB310-50816	81.3	3.200
MB310-50817	86.4	3.400
MB310-50818	91.4	3.600
MB310-50819	96.5	3.800
MB310-50820	101.6	4.000
MB310-50821	106.7	4.200
MB310-50822	111.8	4.400
MB310-50823	116.8	4.600
MB310-50824	121.9	4.800



PCB Layout



Note:
Screw Plating: Changes are available upon request
Cage Clamp: MB 312: Brass
MB 311: Zinc

MB 310-508M Modular



Pitch: 5.08mm(0.200inch)

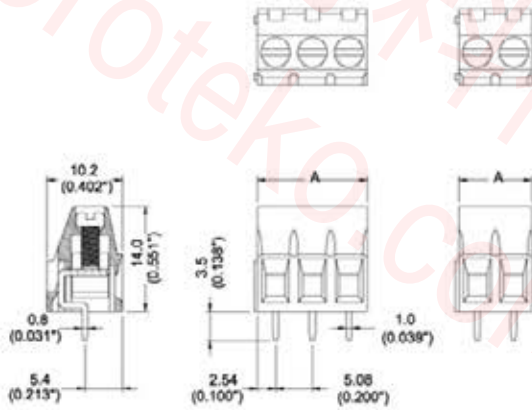
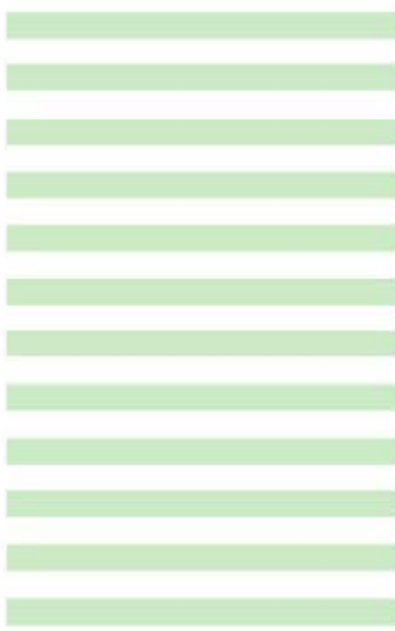


SPECIFICATIONS

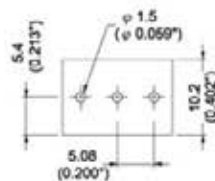
			CUL	VDE
負載電壓	Rated Voltage	Bemessungsspannung	AC 300V	AC 250V
負載電流	Rated Current	Bemessungsstrom	16A	16A
電線線徑	Wire Size	Leitergrößen	26~12AWG	0.2~4mm ²
塑膠本體	Housing Material	Isolierstofftyp	Polyamide66(UL94V-0)	
押線圈	Cage Clamp	Klemmkörper	Steel, Ni plated	
端子	Terminal	Stiftmaterial	Brass, Tin plated	
螺絲	Screw Size	Schraubengewinde	M2.6, steel, Ni plated	
操作溫度	Operating Temperature	Umgebungstemperatur	-40°C to + 105°C	
扭力	Torque	Anzugsmoment	7.0 lb-inch	
PC板孔徑	PCB Hole Diameter	Lochdurchmesser	φ 1.5mm	
UL File No.	E167040			

TABLE

Item No.	A(mm)	A(inch)
MB310-508M02	10.2	0.400
MB310-508M03	15.2	0.600



PCB Layout



Note:
 Screw Plating: Changes are available upon request
 Cage Clamp: MB 312: Brass
 MB 311: Zinc

MB 310-750 Single mold



Pitch: 7.50mm(0.295inch)

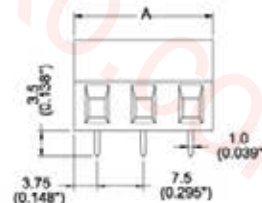
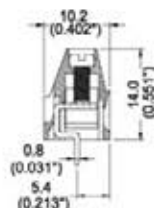


SPECIFICATIONS

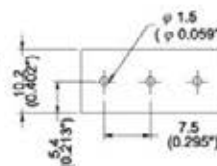
			CUL	VDE
負載電壓	Rated Voltage	Bemessungsspannung	AC 300V	AC 750V
負載電流	Rated Current	Bemessungsstrom	16A	16A
電線線徑	Wire Size	Leitergrößen	26~12AWG	0.2~4mm ²
塑膠本體	Housing Material	Isolierstofftyp	Polyamide66(UL94V-0)	
押線圈	Cage Clamp	Klemmkörper	Steel, Ni plated	
端子	Terminal	Stiftmaterial	Brass, Tin plated	
螺絲	Screw Size	Schraubengewinde	M2.6, steel, Ni plated	
操作溫度	Operating Temperature	Umgebungstemperatur	-40°C to + 105°C	
扭力	Torque	Anzugsmoment	7.0 lb-inch	
PC板孔徑	PCB Hole Diameter	Lochdurchmesser	φ 1.5mm	
UL File No.	E167040			

TABLE

Item No.	A(mm)	A(inch)
MB310-75002	15.0	0.591
MB310-75003	22.5	0.886
MB310-75004	30.0	1.181
MB310-75005	37.5	1.476
MB310-75006	45.0	1.772
MB310-75007	52.5	2.067
MB310-75008	60.0	2.362
MB310-75009	67.5	2.657
MB310-75010	75.0	2.953
MB310-75011	82.5	3.248
MB310-75012	90.0	3.543
MB310-75013	97.5	3.839
MB310-75014	105.0	4.134
MB310-75015	112.0	4.429
MB310-75016	120.0	4.724
MB310-75017	127.5	5.020
MB310-75018	135.0	5.315
MB310-75019	142.0	5.610
MB310-75020	150.0	5.906
MB310-75021	157.0	6.201
MB310-75022	165.0	6.496
MB310-75023	172.5	6.791
MB310-75024	180.0	7.087



PCB Layout



Note:
 Screw Plating: Changes are available upon request
 Cage Clamp: MB 312: Brass
 MB 311: Zinc

MB 310-750M Modular



Pitch: 7.50mm(0.295inch)

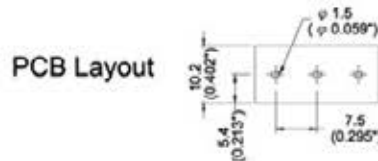
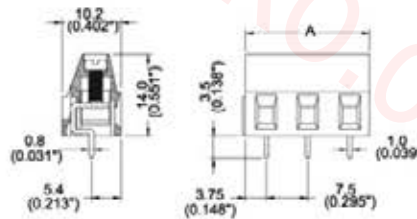


SPECIFICATIONS

			CUL	VDE
負載電壓	Rated Voltage	Bemessungsspannung	AC 300V	AC 750V
負載電流	Rated Current	Bemessungsstrom	16A	16A
電線線徑	Wire Size	Leitergrößen	26~12AWG	0.2~4mm ²
塑膠本體	Housing Material	Isolierstofftyp	Polyamide66(UL94V-0)	
押線圈	Cage Clamp	Klemmkörper	Brass, Ni plated	
端子	Terminal	Stiftmaterial	Brass, Tin plated	
螺絲	Screw Size	Schraubengewinde	M2.6, steel, Ni plated	
操作溫度	Operating Temperature	Umgebungstemperatur	-40°C to + 105°C	
扭力	Torque	Anzugsmoment	7.0 lb-inch	
PC板孔徑	PCB Hole Diameter	Lochdurchmesser	ø 1.5mm	
UL File No.	E167040			

TABLE

Item No.	A(mm)	A(inch)
MB310-750M02	15.0	0.591
MB310-750M03	22.5	0.886

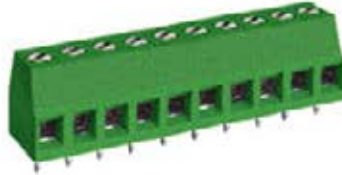


Note:
Screw Plating: Changes are available upon request
Cage Clamp: MB 312: Brass
MB 311: Zinc

MB 312-500 Single mold



Pitch: 5.00mm(0.197inch)

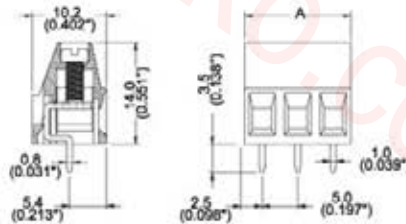


SPECIFICATIONS

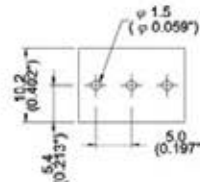
			CUL	VDE
負載電壓	Rated Voltage	Bemessungsspannung	AC 300V	AC 450V
負載電流	Rated Current	Bemessungsstrom	16A	16A
電線線徑	Wire Size	Leitergrößen	26~12AWG	0.2~2.5mm ²
塑膠本體	Housing Material	Isolierstofftyp	Polyamide66(UL94V-0)	
押線圈	Cage Clamp	Klemmkörper	Brass, Ni plated	
端子	Terminal	Stiftmaterial	Brass, Tin plated	
螺絲	Screw Size	Schraubengewinde	M2.6, steel, Ni plated	
操作溫度	Operating Temperature	Umgebungstemperatur	-40°C to + 105°C	
扭力	Torque	Anzugsmoment	5.0 lb-inch	
PCB板孔徑	PCB Hole Diameter	Lochdurchmesser	φ 1.5mm	
UL File No.	E167040			

TABLE

Item No.	A(mm)	A(inch)
MB312-50002	10.0	0.394
MB312-50003	15.0	0.591
MB312-50004	20.0	0.787
MB312-50005	25.0	0.984
MB312-50006	30.0	1.181
MB312-50007	35.0	1.378
MB312-50008	40.0	1.575
MB312-50009	45.0	1.772
MB312-50010	50.0	1.969
MB312-50011	55.0	2.165
MB312-50012	60.0	2.362
MB312-50013	65.0	2.559
MB312-50014	70.0	2.756
MB312-50015	75.0	2.953
MB312-50016	80.0	3.150
MB312-50017	85.0	3.346
MB312-50018	90.0	3.543
MB312-50019	95.0	3.740
MB312-50020	100.0	3.937
MB312-50021	105.0	4.134
MB312-50022	110.0	4.331
MB312-50023	115.0	4.528
MB312-50024	120.0	4.724



PCB Layout



Note:

Screw Plating: Changes are available upon request

Cage Clamp: MB 310: Steel

MB 311: Zinc

MB 312-500M..W Modular



Pitch: 5.00mm(0.197inch)

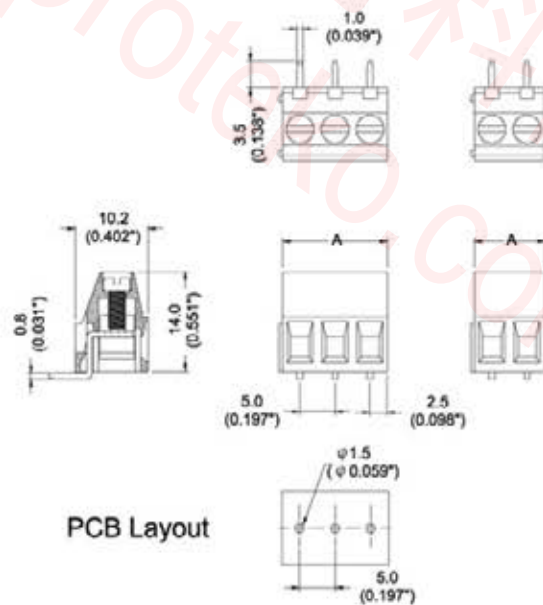


SPECIFICATIONS

			CUL	VDE
負載電壓	Rated Voltage	Bemessungsspannung	AC 300V	AC 450V
負載電流	Rated Current	Bemessungsstrom	16A	16A
電線線徑	Wire Size	Leitergrößen	26~12AWG	0.2~2.5mm ²
塑膠本體	Housing Material	Isolierstofftyp	Polyamide66(UL94V-0)	
押線圈	Cage Clamp	Klemmkörper	Brass, Ni plated	
端子	Terminal	Stiftmaterial	Brass, Tin plated	
螺絲	Screw Size	Schraubengewinde	M2.6, steel, Ni plated	
操作溫度	Operating Temperature	Umgebungstemperatur	-40°C to + 105°C	
扭力	Torque	Anzugsmoment	5.0 lb-inch	
PC板孔徑	PCB Hole Diameter	Lochdurchmesser	ø 1.5mm	

TABLE

Item No.	A(mm)	A(inch)
MB312-500M02W	10.2	0.400
MB312-500M03W	5.2	0.600



PCB Layout

Note:
Screw Plating: Changes are available upon request
Cage Clamp: MB 310: steel
MB 311: Zinc

Pitch: 5.00mm(0.197inch)

- Description :
- Pitch : 5.00 mm (0.197 inch)

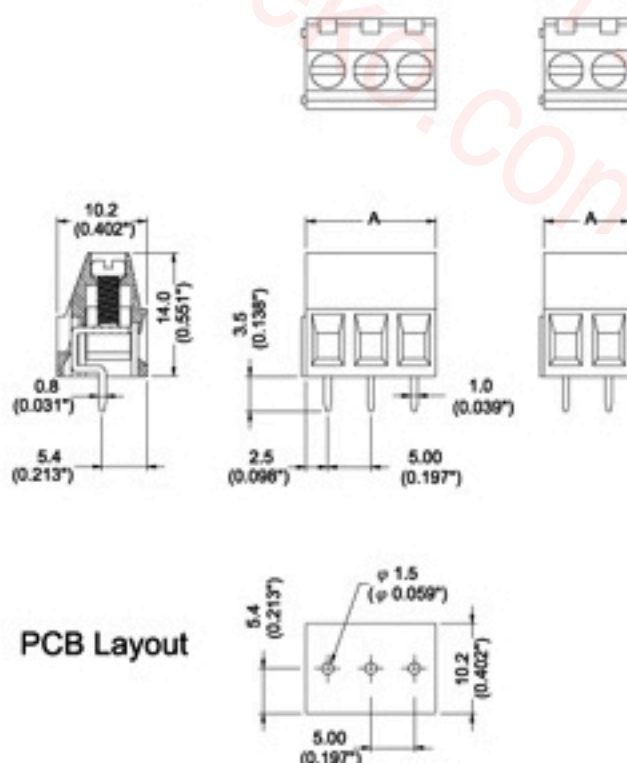


SPECIFICATIONS

			CUL	VDE
負載電壓	Rated Voltage	Bemessungsspannung	AC 300V	AC 450V
負載電流	Rated Current	Bemessungsstrom	16A	16A
電線線徑	Wire Size	Leitergrößen	26~12AWG	0.2~2.5mm ²
塑膠本體	Housing Material	Isolierstofftyp	Polyamide66(UL94V-0)	
押線圈	Cage Clamp	Klemmkörper	Brass, Ni plated	
端子	Terminal	Stiftmaterial	Brass, Tin plated	
螺絲	Screw Size	Schraubengewinde	M2.6, steel, Ni plated	
操作溫度	Operating Temperature	Umgebungstemperatur	-40°C to + 105°C	
扭力	Torque	Anzugsmoment	5.0 lb-inch	
PC板孔徑	PCB Hole Diameter	Lochdurchmesser	φ 1.5mm	
UL File No.	E167040			

TABLE

Item No.	A(mm)	A(inch)
MB312-500M02	10.2	0.400
MB312-500M03	15.2	0.600



PCB Layout

Note:
 Screw Plating: Changes are available upon request
 Cage Clamp: MB 310: Steel
 MB 311: Zinc

MB 312-508

Single mold



Pitch: 5.08mm(0.200inch)

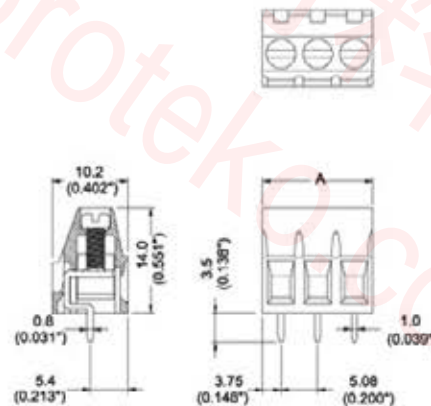


SPECIFICATIONS

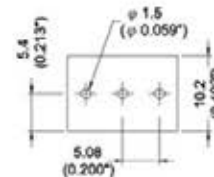
		CUL	VDE	
負載電壓	Rated Voltage	Bemessungsspannung	AC 300V	AC 450V
負載電流	Rated Current	Bemessungsstrom	16A	16A
電線線徑	Wire Size	Leitergrößen	26~12AWG	0.2~2.5mm ²
塑膠本體	Housing Material	Isolierstofftyp	Polyamide66(UL94V-0)	
押線圈	Cage Clamp	Klemmkörper	Steel, Ni plated	
端子	Terminal	Stiftmaterial	Brass, Tin plated	
螺絲	Screw Size	Schraubengewinde	M2.6, steel, Ni plated	
操作溫度	Operating Temperature	Umgebungstemperatur	-40°C to + 105°C	
扭力	Torque	Anzugsmoment	5.0 lb-inch	
PC板孔徑	PCB Hole Diameter	Lochdurchmesser	φ 1.5mm	
UL File No.	E167040			

TABLE

Item No.	A(mm)	A(inch)
MB310-50802	10.2	0.400
MB310-50803	15.2	0.600
MB310-50804	20.3	0.800
MB310-50805	25.4	1.000
MB310-50806	30.5	1.200
MB310-50807	35.6	1.400
MB310-50808	40.6	1.600
MB310-50809	45.7	1.800
MB310-50810	50.8	2.000
MB310-50811	55.9	2.200
MB310-50812	61.0	2.400
MB310-50813	66.0	2.600
MB310-50814	71.1	2.800
MB310-50815	76.2	3.000
MB310-50816	81.3	3.200
MB310-50817	86.4	3.400
MB310-50818	91.4	3.600
MB310-50819	96.5	3.800
MB310-50820	101.6	4.000
MB310-50821	106.7	4.200
MB310-50822	111.8	4.400
MB310-50823	116.8	4.600
MB310-50824	121.9	4.800



PCB Layout



Note:

Screw Plating: Changes are available upon request
 Cage Clamp: MB 310: Steel
 MB 311: Zinc

MB 312-508M Modular



Pitch: 5.08mm(0.200inch)

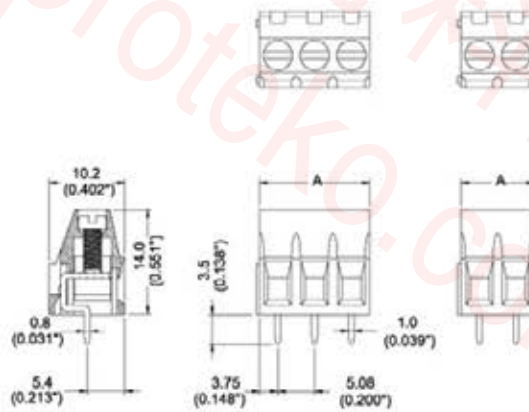


SPECIFICATIONS

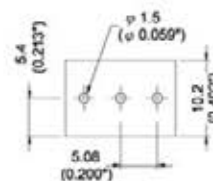
			CUL	VDE
負載電壓	Rated Voltage	Bemessungsspannung	AC 300V	AC 450V
負載電流	Rated Current	Bemessungsstrom	16A	16A
電線線徑	Wire Size	Leitergrößen	26~12AWG	0.2~2.5mm ²
塑膠本體	Housing Material	Isolierstofftyp	Polyamide66(UL94V-0)	
押線圈	Cage Clamp	Klemmkörper	Brass, Ni plated	
端子	Terminal	Stiftmaterial	Brass, Tin plated	
螺絲	Screw Size	Schraubengewinde	M2.6, steel, Ni plated	
操作溫度	Operating Temperature	Umgebungstemperatur	-40°C to + 105°C	
扭力	Torque	Anzugsmoment	5.0 lb-inch	
PC板孔徑	PCB Hole Diameter	Lochdurchmesser	φ 1.5mm	
UL File No.	E167040			

TABLE

Item No.	A(mm)	A(inch)
MB312-508M02	10.2	0.400
MB312-508M03	15.2	0.600



PCB Layout



Note:
 Screw Plating: Changes are available upon request
 Cage Clamp: MB 310: Steel
 MB 311: Zinc

MB 312-750

Single mold



Pitch: 7.50mm(0.295inch)

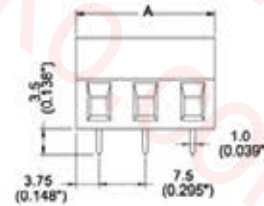
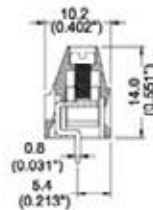


SPECIFICATIONS

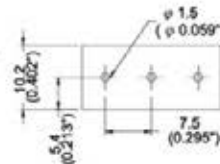
			CUL	VDE
負載電壓	Rated Voltage	Bemessungsspannung	AC 300V	AC 750V
負載電流	Rated Current	Bemessungsstrom	16A	16A
電線線徑	Wire Size	Leitergrößen	26~12AWG	0.2~2.5mm ²
塑膠本體	Housing Material	Isolierstofftyp	Polyamide66(UL94V-0)	
押線圈	Cage Clamp	Klemmkörper	Brass, Ni plated	
端子	Terminal	Stiftmaterial	Brass, Tin plated	
螺絲	Screw Size	Schraubengewinde	M2.6, steel, Ni plated	
操作溫度	Operating Temperature	Umgebungstemperatur	-40°C to + 105°C	
扭力	Torque	Anzugsmoment	5.0 lb-inch	
PC板孔徑	PCB Hole Diameter	Lochdurchmesser	φ 1.5mm	
UL File No.	E167040			

TABLE

Item No.	A(mm)	A(inch)
MB312-75002	15.0	0.591
MB312-75003	22.5	0.886
MB312-75004	30.0	1.181
MB312-75005	37.5	1.476
MB312-75006	45.0	1.772
MB312-75007	52.5	2.067
MB312-75008	60.0	2.362
MB312-75009	67.5	2.657
MB312-75010	75.0	2.953
MB312-75011	82.5	3.248
MB312-75012	90.0	3.543
MB312-75013	97.5	3.839
MB312-75014	105.0	4.134
MB312-75015	112.0	4.429
MB312-75016	120.0	4.724
MB312-75017	127.5	5.020
MB312-75018	135.0	5.315
MB312-75019	142.0	5.610
MB312-75020	150.0	5.906
MB312-75021	157.0	6.201
MB312-75022	165.0	6.496
MB312-75023	172.5	6.791
MB312-75024	180.0	7.087



PCB Layout



Note:

Screw Plating: Changes are available upon request
 Cage Clamp: MB 310: Steel
 MB 311: Zinc

MB 312-750M..W

Modular



Pitch: 7.50mm(0.295inch)

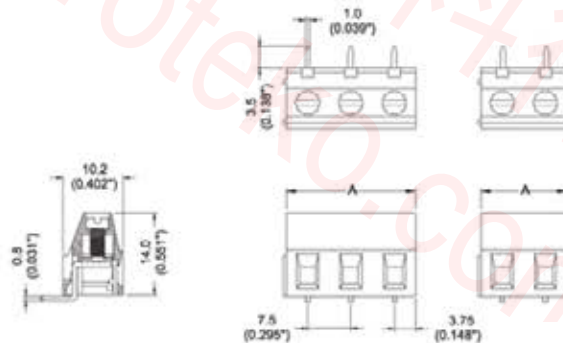


SPECIFICATIONS

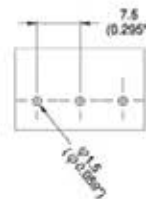
			CUL	VDE
負載電壓	Rated Voltage	Bemessungsspannung	AC 300V	AC 750V
負載電流	Rated Current	Bemessungsstrom	16A	16A
電線線徑	Wire Size	Leitergrößen	26~12AWG	0.2~2.5mm ²
塑膠本體	Housing Material	Isolierstofftyp	Polyamide66(UL94V-0)	
押線圈	Cage Clamp	Klemmkörper	Brass, Ni plated	
端子	Terminal	Stiftmaterial	Brass, Tin plated	
螺絲	Screw Size	Schraubengewinde	M2.6, steel, Ni plated	
操作溫度	Operating Temperature	Umgebungstemperatur	-40°C to + 105°C	
扭力	Torque	Anzugsmoment	5.0 lb-inch	
PC板孔徑	PCB Hole Diameter	Lochdurchmesser	φ 1.5mm	
UL File No.	E167040			

TABLE

Item No.	A(mm)	A(inch)
MB312-750M02W	15.0	0.591
MB312-750M03W	22.5	0.886



PCB Layout



Note:
Screw Plating: Changes are available upon request
Cage Clamp: MB 310: steel
MB 311: Zinc

MB 312-750M Modular



Pitch: 7.50mm(0.295inch)

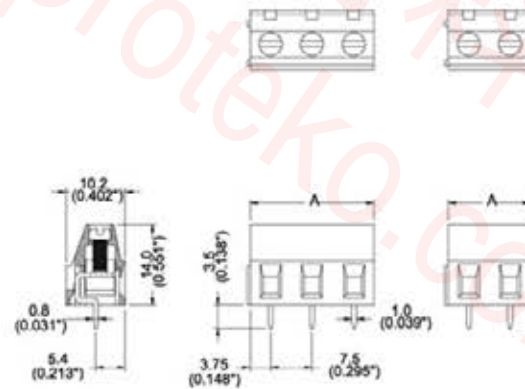
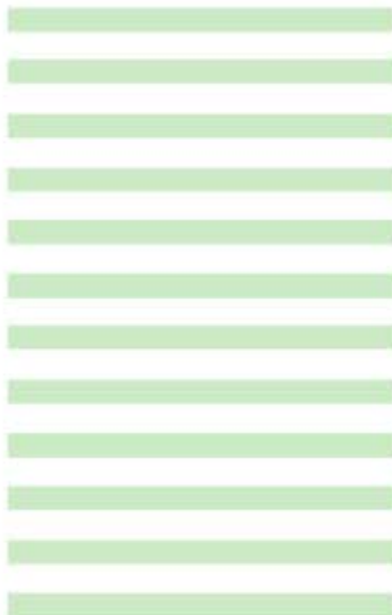


SPECIFICATIONS

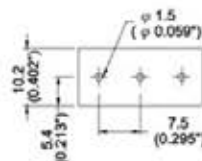
			CUL	VDE
負載電壓	Rated Voltage	Bemessungsspannung	AC 300V	AC 750V
負載電流	Rated Current	Bemessungsstrom	16A	16A
電線線徑	Wire Size	Leitergrößen	26~12AWG	0.2~2.5mm ²
塑膠本體	Housing Material	Isolierstofftyp	Polyamide66(UL94V-0)	
押線圈	Cage Clamp	Klemmkörper	Steel, Ni plated	
端子	Terminal	Stiftmaterial	Brass, Tin plated	
螺絲	Screw Size	Schraubengewinde	M2.6, steel, Ni plated	
操作溫度	Operating Temperature	Umgebungstemperatur	-40°C to + 105°C	
扭力	Torque	Anzugsmoment	5.0 lb-inch	
PC板孔徑	PCB Hole Diameter	Lochdurchmesser	φ 1.5mm	
UL File No.	E167040			

TABLE

Item No.	A(mm)	A(inch)
MB312-750M02	15.0	0.591
MB312-750M03	22.5	0.886



PCB Layout



Note:

Screw Plating: Changes are available upon request

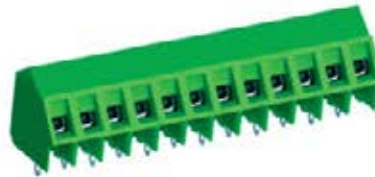
Cage Clamp: MB 310: Steel

MB 311: Zinc

Pitch: 5.00mm(0.197inch)



B-18

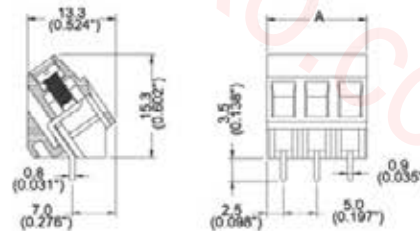


SPECIFICATIONS

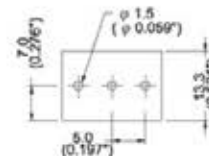
			CUL	VDE
負載電壓	Rated Voltage	Bemessungsspannung	AC 300V	AC 450V
負載電流	Rated Current	Bemessungsstrom	16A	16A
電線線徑	Wire Size	Leitergrößen	26~12AWG	0.2~2.5mm ²
塑膠本體	Housing Material	Isolierstofftyp	Polyamide66(UL94V-0)	
押線圈	Cage Clamp	Klemmkörper	Brass, Ni plated	
端子	Terminal	Stiftmaterial	Brass, Tin plated	
螺絲	Screw Size	Schraubengewinde	M2.6, steel, Ni plated	
操作溫度	Operating Temperature	Umgebungstemperatur	-40°C to + 105°C	
扭力	Torque	Anzugsmoment	5.0 lb-inch	
PC板孔徑	PCB Hole Diameter	Lochdurchmesser	φ 1.5mm	
UL File No.	E167040			

TABLE

Item No.	A(mm)	A(inch)
MB322-50002	10.0	0.394
MB322-50003	15.0	0.591
MB322-50004	20.0	0.787
MB322-50005	25.0	0.984
MB322-50006	30.0	1.181
MB322-50007	35.0	1.378
MB322-50008	40.0	1.575
MB322-50009	45.0	1.772
MB322-50010	50.0	1.969
MB322-50011	55.0	2.165
MB322-50012	60.0	2.362
MB322-50013	65.0	2.559
MB322-50014	70.0	2.756
MB322-50015	75.0	2.953
MB322-50016	80.0	3.150
MB322-50017	85.0	3.346
MB322-50018	90.0	3.543
MB322-50019	95.0	3.740
MB322-50020	100.0	3.937
MB322-50021	105.0	4.134
MB322-50022	110.0	4.331
MB322-50023	115.0	4.528
MB322-50024	120.0	4.724



PCB Layout



Note:

Screw Plating: Changes are available upon request

Cage Clamp: MB 320: Steel

MB 321: Zinc

MB 322-500M Modular



Pitch: 5.00mm(0.197inch)

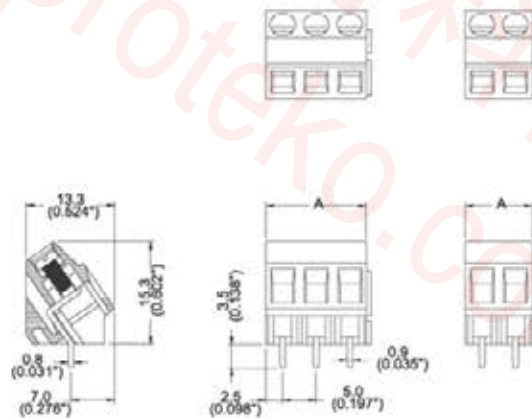


SPECIFICATIONS

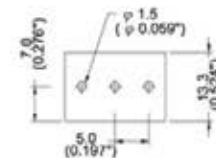
			CUL	VDE
負載電壓	Rated Voltage	Bemessungsspannung	AC 300V	AC 450V
負載電流	Rated Current	Bemessungsstrom	16A	16A
電線線徑	Wire Size	Leitergrößen	26~12AWG	0.2~2.5mm ²
塑膠本體	Housing Material	Isolierstofftyp	Polyamide66(UL94V-0)	
押線圈	Cage Clamp	Klemmkörper	Brass, Ni plated	
端子	Terminal	Stiftmaterial	Brass, Tin plated	
螺絲	Screw Size	Schraubengewinde	M2.6, steel, Ni plated	
操作溫度	Operating Temperature	Umgebungstemperatur	-40°C to + 105°C	
扭力	Torque	Anzugsmoment	5.0 lb-inch	
PC板孔徑	PCB Hole Diameter	Lochdurchmesser	φ 1.5mm	
UL File No.	E167040			

TABLE

Item No.	A(mm)	A(inch)
MB322-500M02	10.0	0.394
MB322-500M03	15.0	0.591



PCB Layout



Note:
 Screw Plating: Changes are available upon request
 Cage Clamp: MB 320: Steel
 MB 321: Zinc

MB 322-508M Modular



Pitch: 5.08mm(0.200inch)

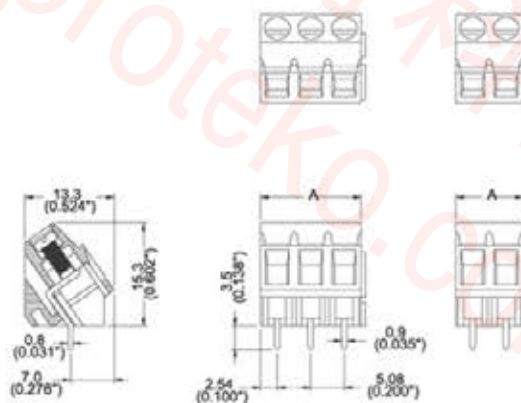
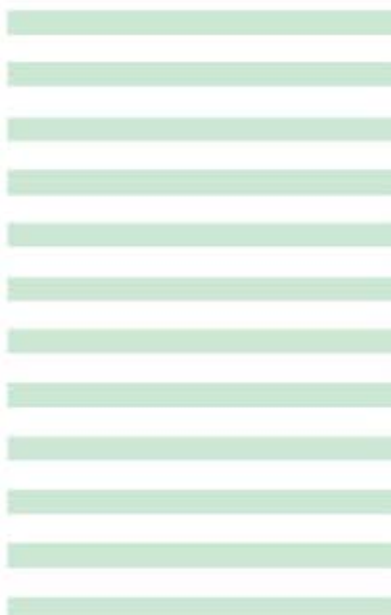


SPECIFICATIONS

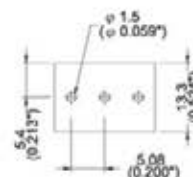
			CUL	VDE
負載電壓	Rated Voltage	Bemessungsspannung	AC 300V	AC 450V
負載電流	Rated Current	Bemessungsstrom	16A	16A
電線線徑	Wire Size	Leitergrößen	26~12AWG	0.2~2.5mm ²
塑膠本體	Housing Material	Isolierstofftyp	Polyamide66(UL94V-0)	
押線圈	Cage Clamp	Klemmkörper	Brass, Ni plated	
端子	Terminal	Stiftmaterial	Brass, Tin plated	
螺絲	Screw Size	Schraubengewinde	M2.6, steel, Ni plated	
操作溫度	Operating Temperature	Umgebungstemperatur	-40°C to + 105°C	
扭力	Torque	Anzugsmoment	5.0 lb-inch	
PC板孔徑	PCB Hole Diameter	Lochdurchmesser	φ 1.5mm	
UL File No.	E167040			

TABLE

Item No.	A(mm)	A(inch)
MB322-508M02	10.2	0.400
MB322-508M03	15.2	0.600



PCB Layout



Note:
 Screw Plating: Changes are available upon request
 Cage Clamp: MB 320: Steel
 MB 321: Zinc

MB 322-750M Modular



Pitch: 7.50mm(0.295inch)

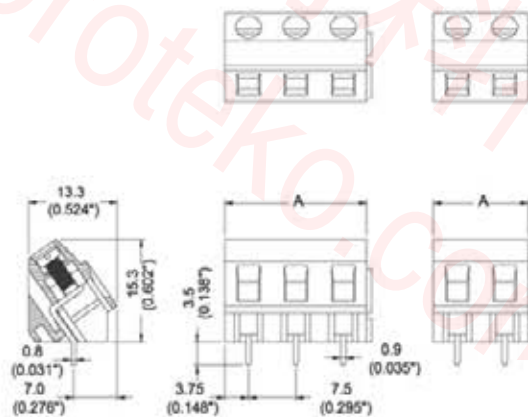


SPECIFICATIONS

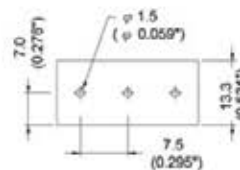
			CUL	VDE
負載電壓	Rated Voltage	Bemessungsspannung	AC 300V	AC 750V
負載電流	Rated Current	Bemessungsstrom	16A	16A
電線線徑	Wire Size	Leitergrößen	26~12AWG	0.2~2.5mm ²
塑膠本體	Housing Material	Isolierstofftyp	Polyamide66(UL94V-0)	
押線圈	Cage Clamp	Klemmkörper	Brass, Ni plated	
端子	Terminal	Stiftmaterial	Brass, Tin plated	
螺絲	Screw Size	Schraubengewinde	M2.6, steel, Ni plated	
操作溫度	Operating Temperature	Umgebungstemperatur	-40°C to + 105°C	
扭力	Torque	Anzugsmoment	5.0 lb-inch	
PC板孔徑	PCB Hole Diameter	Lochdurchmesser	∅1.5mm	
UL File No.	E167040			

TABLE

Item No.	A(mm)	A(inch)
MB322-750M02	15.0	0.591
MB322-750M03	22.5	0.886



PCB Layout



Note:
Screw Plating: Changes are available upon request
Cage Clamp: MB 320: Steel
MB 321: Zinc

MB 322-762M Modular



Pitch: 7.62mm(0.300inch)

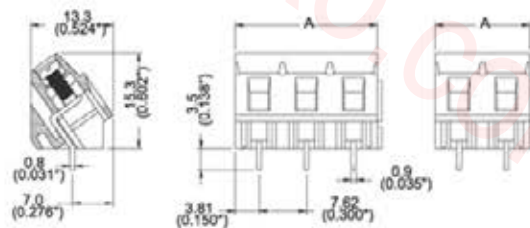


SPECIFICATIONS

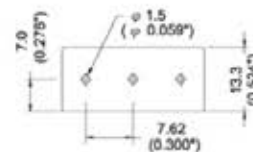
			CUL	VDE
負載電壓	Rated Voltage	Bemessungsspannung	AC 300V	AC 750V
負載電流	Rated Current	Bemessungsstrom	16A	16A
電線線徑	Wire Size	Leitergrößen	26~12AWG	0.2~2.5mm ²
塑膠本體	Housing Material	Isolierstofftyp	Polyamide66(UL94V-0)	
押線圈	Cage Clamp	Klemmkörper	Brass, Ni plated	
端子	Terminal	Stiftmaterial	Brass, Tin plated	
螺絲	Screw Size	Schraubengewinde	M2.6, steel, Ni plated	
操作溫度	Operating Temperature	Umgebungstemperatur	-40°C to + 105°C	
扭力	Torque	Anzugsmoment	5.0 lb-inch	
PC板孔徑	PCB Hole Diameter	Lochdurchmesser	φ 1.5mm	
UL File No.	E167040			

TABLE

Item No.	A(mm)	A(inch)
MB322-762M02	15.2	0.600
MB322-762M03	22.9	0.900



PCB Layout



Note:
Screw Plating: Changes are available upon request
Cage Clamp: MB 320: Steel
MB 321: Zinc

MB 332-381 Single mold



Pitch: 3.81mm(0.150inch)

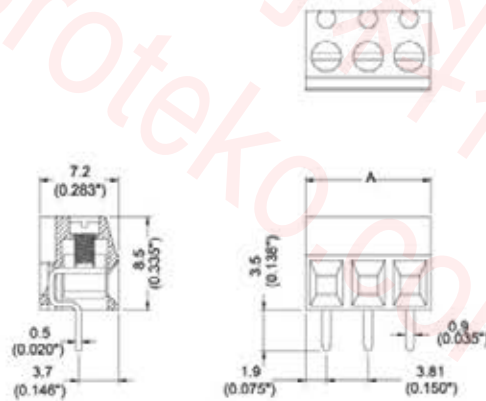


SPECIFICATIONS

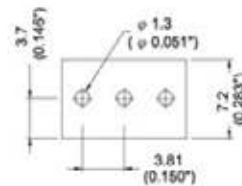
		CUL	VDE
負載電壓	Rated Voltage	Bemessungsspannung	AC 300V
負載電流	Rated Current	Bemessungsstrom	8A
電線線徑	Wire Size	Leitergrößen	26~16AWG
塑膠本體	Housing Material	Isolierstofftyp	Polyamide66(UL94V-0)
押線圈	Cage Clamp	Klemmkörper	Brass, Ni plated
端子	Terminal	Stiftmaterial	Brass, Tin plated
螺絲	Screw Size	Schraubengewinde	M2.6, steel, Ni plated
操作溫度	Operating Temperature	Umgebungstemperatur	-40°C to + 105°C
扭力	Torque	Anzugsmoment	3.0 lb-inch
PC板孔徑	PCB Hole Diameter	Lochdurchmesser	φ 1.3mm
UL File No.	E167040		

TABLE

Item No.	A(mm)	A(inch)
MB332-38102	7.6	0.300
MB332-38103	11.4	0.450
MB332-38104	15.2	0.600
MB332-38105	19.1	0.750
MB332-38106	22.9	1.900
MB332-38107	26.7	1.050
MB332-38108	30.5	1.200
MB332-38109	34.3	1.350
MB332-38110	38.1	1.500
MB332-38111	41.9	1.650
MB332-38112	45.7	1.800
MB332-38113	49.5	1.950
MB332-38114	53.3	2.100
MB332-38115	57.2	2.250
MB332-38116	61.0	2.400
MB332-38117	64.8	2.550
MB332-38118	68.6	2.700
MB332-38119	72.4	2.850
MB332-38120	76.2	3.000
MB332-38121	80.0	3.150
MB332-38122	83.8	3.300
MB332-38123	87.6	3.450
MB332-38124	91.4	3.600



PCB Layout



Note:
Screw Plating: Changes are available upon request

MB 332-381A Single mold



Pitch: 3.81mm(0.150inch)

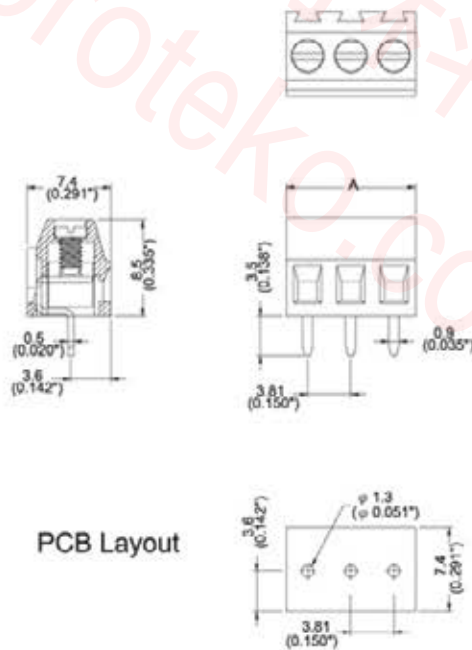


SPECIFICATIONS

		CUL		VDE
負載電壓	Rated Voltage	Bemessungsspannung	AC 300V	
負載電流	Rated Current	Bemessungsstrom	10A	
電線線徑	Wire Size	Leitergrößen	26~16AWG	
塑膠本體	Housing Material	Isolierstofftyp	Polyamide66(UL94V-0)	
押線圈	Cage Clamp	Klemmkörper	Brass, Ni plated	
端子	Terminal	Stiftmaterial	Brass, Tin plated	
螺絲	Screw Size	Schraubengewinde	M2.0, steel, Ni plated	
操作溫度	Operating Temperature	Umgebungstemperatur	-40°C to + 105°C	
扭力	Torque	Anzugsmoment	2.0 lb-inch	
PC板孔徑	PCB Hole Diameter	Lochdurchmesser	φ 1.3mm	
UL File No.	E167040			

TABLE

Item No.	A(mm)	A(inch)
MB332-381A02	7.6	0.300
MB332-381A03	11.4	0.450
MB332-381A04	15.2	0.600
MB332-381A05	19.1	0.750
MB332-381A06	22.9	1.900
MB332-381A07	26.7	1.050
MB332-381A08	30.5	1.200
MB332-381A09	34.3	1.350
MB332-381A10	38.1	1.500
MB332-381A11	41.9	1.650
MB332-381A12	45.7	1.800
MB332-381A13	49.5	1.950
MB332-381A14	53.3	2.100
MB332-381A15	57.2	2.250
MB332-381A16	61.0	2.400



PCB Layout

Note:
Screw Plating: Changes are available upon request

MB 332-381B Single mold



Pitch: 3.81mm(0.150inch)

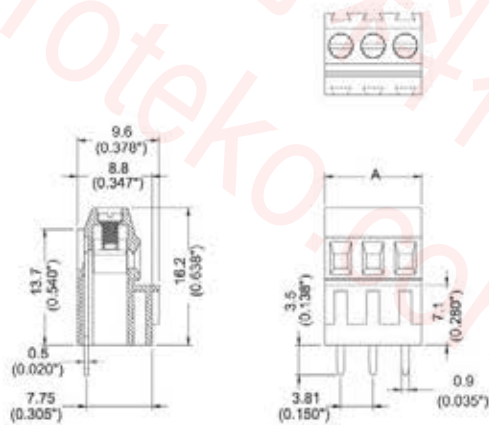


SPECIFICATIONS

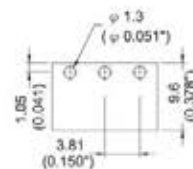
		CUL		VDE
負載電壓	Rated Voltage	Bemessungsspannung	AC 300V	
負載電流	Rated Current	Bemessungsstrom	10A	
電線線徑	Wire Size	Leitergrößen	26~16AWG	
塑膠本體	Housing Material	Isolierstofftyp	Polyamide66(UL94V-0)	
押線圈	Cage Clamp	Klemmkörper	Brass, Ni plated	
端子	Terminal	Stiftmaterial	Brass, Tin plated	
螺絲	Screw Size	Schraubengewinde	M2.0, steel, Ni plated	
操作溫度	Operating Temperature	Umgebungstemperatur	-40°C to + 105°C	
扭力	Torque	Anzugsmoment	2.0 lb-inch	
PC板孔徑	PCB Hole Diameter	Lochdurchmesser	φ 1.3mm	
UL File No.	E167040			

TABLE

Item No.	A(mm)	A(inch)
MB332-381B02	7.6	0.300
MB332-381B03	11.4	0.450
MB332-381B04	15.2	0.600
MB332-381B05	19.1	0.750
MB332-381B06	22.9	1.900
MB332-381B07	26.7	1.050
MB332-381B08	30.5	1.200
MB332-381B09	34.3	1.350
MB332-381B10	38.1	1.500
MB332-381B11	41.9	1.650
MB332-381B12	45.7	1.800
MB332-381B13	49.5	1.950
MB332-381B14	53.3	2.100
MB332-381B15	57.2	2.250
MB332-381B16	61.0	2.400



PCB Layout



Note:
Screw Plating: Changes are available upon request

MB 332-381C Single mold



Pitch: 3.81mm(0.150inch)

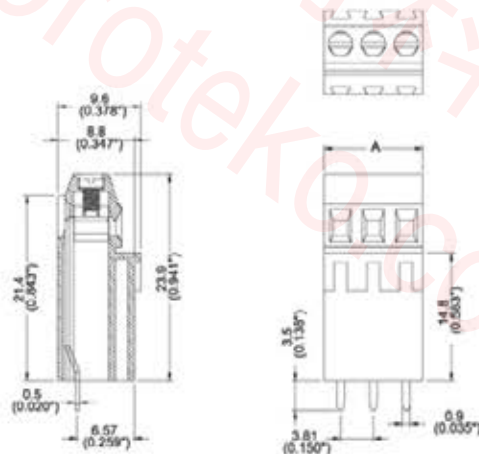


SPECIFICATIONS

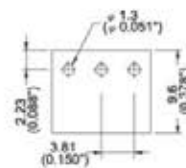
			CUL	VDE
負載電壓	Rated Voltage	Bemessungsspannung	AC 300V	
負載電流	Rated Current	Bemessungsstrom	10A	
電線線徑	Wire Size	Leitergrößen	26~16AWG	
塑膠本體	Housing Material	Isolierstofftyp	Polyamide66(UL94V-0)	
押線圈	Cage Clamp	Klemmkörper	Brass, Ni plated	
端子	Terminal	Stiftmaterial	Brass, Tin plated	
螺絲	Screw Size	Schraubengewinde	M2.0, steel, Ni plated	
操作溫度	Operating Temperature	Umgebungstemperatur	-40°C to + 105°C	
扭力	Torque	Anzugsmoment	2.0 lb-inch	
PC板孔徑	PCB Hole Diameter	Lochdurchmesser	φ 1.3mm	
UL File No.	E167040			

TABLE

Item No.	A(mm)	A(inch)
MB332-381C02	7.6	0.300
MB332-381C03	11.4	0.450
MB332-381C04	15.2	0.600
MB332-381C05	19.1	0.750
MB332-381C06	22.9	1.900
MB332-381C07	26.7	1.050
MB332-381C08	30.5	1.200
MB332-381C09	34.3	1.350
MB332-381C10	38.1	1.500
MB332-381C11	41.9	1.650
MB332-381C12	45.7	1.800
MB332-381C13	49.5	1.950
MB332-381C14	53.3	2.100
MB332-381C15	57.2	2.250
MB332-381C16	61.0	2.400



PCB Layout



Note:
Screw Plating: Changes are available upon request

MB 332-381M Modular



Pitch: 3.81mm(0.150inch)

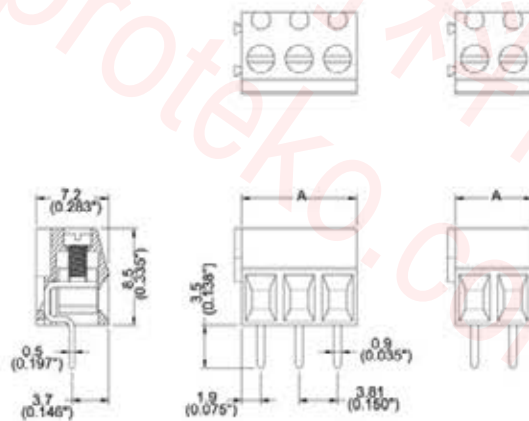
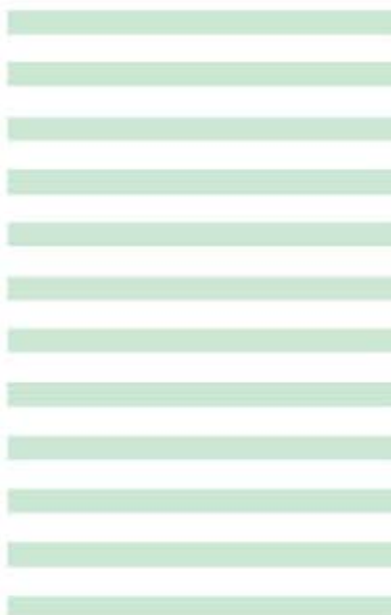


SPECIFICATIONS

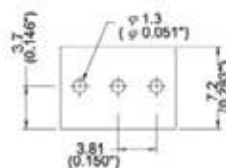
		CUL		VDE
負載電壓	Rated Voltage	Bemessungsspannung	AC 300V	
負載電流	Rated Current	Bemessungsstrom	8A	
電線線徑	Wire Size	Leitergrößen	26~16AWG	
塑膠本體	Housing Material	Isolierstofftyp	Polyamide66(UL94V-0)	
押線圈	Cage Clamp	Klemmkörper	Brass, Ni plated	
端子	Terminal	Stiftmaterial	Brass, Tin plated	
螺絲	Screw Size	Schraubengewinde	M2.0, steel, Ni plated	
操作溫度	Operating Temperature	Umgebungstemperatur	-40°C to + 105°C	
扭力	Torque	Anzugsmoment	3.0 lb-inch	
PC板孔徑	PCB Hole Diameter	Lochdurchmesser	φ 1.3mm	
UL File No.	E167040			

TABLE

Item No.	A(mm)	A(inch)
MB332-381M02	7.6	0.300
MB332-381M03	11.4	0.450



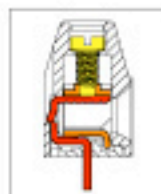
PCB Layout



Note:
Screw Plating: Changes are available upon request

Pitch: 5.00mm(0.197inch)

- **Description:**
- Pitch : 5.00mm (0.197inch)

C **AL**® US**SPECIFICATIONS**

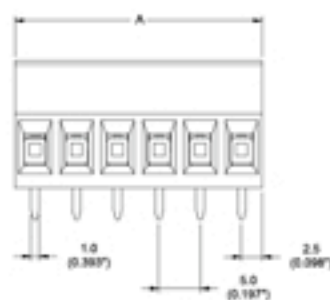
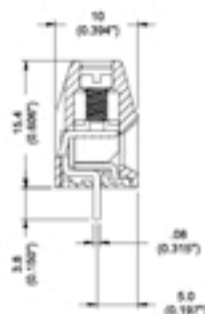
		CUL	
負載電壓	Rated Voltage	Bemessungsspannung	AC 300V
負載電流	Rated Current	Bemessungsstrom	16A
電線線徑	Wire Size	Leitergrößen	22~12AWG
塑膠本體	Housing Material	Isolierstofftyp	Polyamide66(UL94V-0)
押線圈	Cage Clamp	Klemmkörper	Steel, Zinc plated
端子	Terminal	Stiftmaterial	Brass, Tin plated
螺絲	Screw Size	Schraubengewinde	M2.6, steel, Zinc plated
操作溫度	Operating Temperature	Umgebungstemperatur	-40°C to + 105°C
扭力	Torque	Anzugsmoment	4.0 lb-inch
PC板孔徑	PCB Hole Diameter	Lochdurchmesser	φ 1.5mm

TABLE

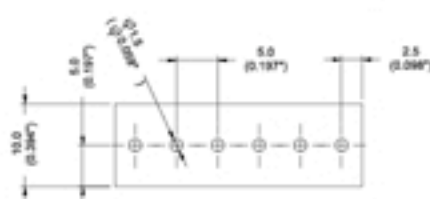
Note:

Screw Plating: Changes are available upon request

Item No.	A(mm)	A(inch)
MB350-50002V	10.0	0.394
MB350-50003V	15.0	0.591
MB350-50004V	20.0	0.787
MB350-50005V	25.0	0.984
MB350-50006V	30.0	1.181
MB350-50007V	35.0	1.376
MB350-50008V	40.0	1.575
MB350-50009V	45.0	1.772
MB350-50010V	50.0	1.969
MB350-50011V	55.0	2.615
MB350-50012V	60.0	2.362
MB350-50013V	65.0	2.559
MB350-50014V	70.0	2.756
MB350-50015V	75.0	2.953
MB350-50016V	80.0	3.150
MB350-50017V	85.0	3.346
MB350-50018V	90.0	3.543



PCB Layout



MB 362-381A



Pitch: 3.81mm(0.150inch)

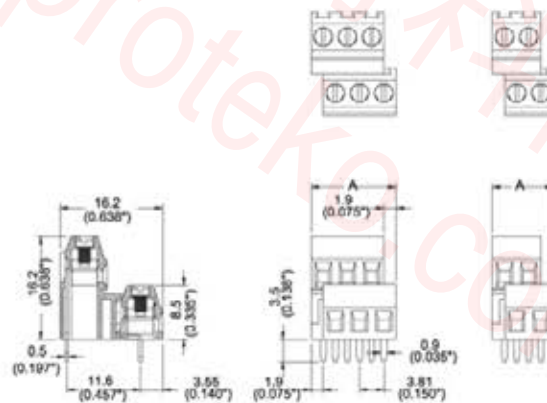


SPECIFICATIONS

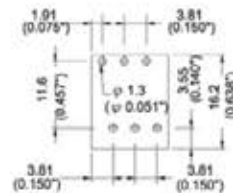
			CUL	VDE
負載電壓	Rated Voltage	Bemessungsspannung	AC 300V	
負載電流	Rated Current	Bemessungsstrom	10A	
電線線徑	Wire Size	Leitergrößen	26~16AWG	
塑膠本體	Housing Material	Isolierstofftyp	Polyamide66(UL94V-0)	
押線圈	Cage Clamp	Klemmkörper	Brass, Ni plated	
端子	Terminal	Stiftmaterial	Brass, Tin plated	
螺絲	Screw Size	Schraubengewinde	M2.0, steel, Ni plated	
操作溫度	Operating Temperature	Umgebungstemperatur	-40°C to + 105°C	
扭力	Torque	Anzugsmoment	1.5 lb-inch	
PC板孔徑	PCB Hole Diameter	Lochdurchmesser	φ 1.3mm	
UL File No.	E167040			

TABLE

Item No.	A(mm)	A(inch)
MB362-381A04	9.5	0.375
MB362-381A06	13.3	0.525
MB362-381A08	17.2	0.675
MB362-381A10	21.0	0.825
MB362-381A12	24.8	0.975
MB362-381A14	28.6	1.125
MB362-381A16	32.4	1.275
MB362-381A18	36.2	1.425
MB362-381A20	40.0	1.575
MB362-381A22	43.8	1.725
MB362-381A24	47.6	1.875
MB362-381A26	51.4	2.025
MB362-381A28	55.3	2.175
MB362-381A30	59.1	2.325
MB362-381A32	62.9	2.475



PCB Layout



Note:
Screw Plating: Changes are available upon request

MB 362-381B



Pitch: 3.81mm(0.150inch)

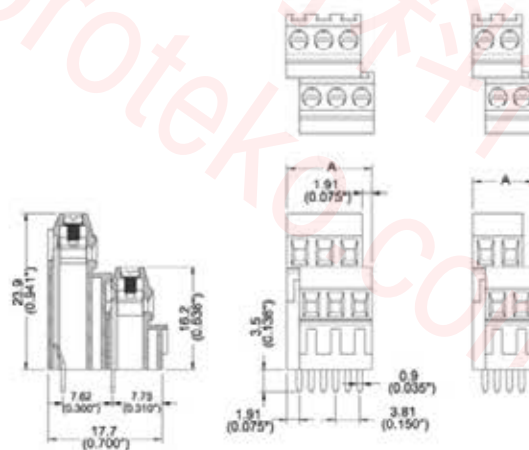


SPECIFICATIONS

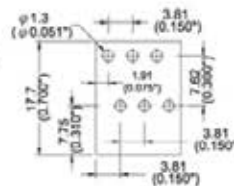
		CUL		VDE
負載電壓	Rated Voltage	Bemessungsspannung	AC 300V	
負載電流	Rated Current	Bemessungsstrom	10A	
電線線徑	Wire Size	Leitergrößen	26~16AWG	
塑膠本體	Housing Material	Isolierstofftyp	Polyamide66(UL94V-0)	
押線圈	Cage Clamp	Klemmkörper	Brass, Ni plated	
端子	Terminal	Stiftmaterial	Brass, Tin plated	
螺絲	Screw Size	Schraubengewinde	M2.0, steel, Ni plated	
操作溫度	Operating Temperature	Umgebungstemperatur	-40°C to + 105°C	
扭力	Torque	Anzugsmoment	1.5 lb-inch	
PC板孔徑	PCB Hole Diameter	Lochdurchmesser	φ 1.3mm	
UL File No.	E167040			

TABLE

Item No.	A(mm)	A(inch)
MB362-381B04	9.5	0.375
MB362-381B06	13.3	0.525
MB362-381B08	17.2	0.675
MB362-381B10	21.0	0.825
MB362-381B12	24.8	0.975
MB362-381B14	28.6	1.125
MB362-381B16	32.4	1.275
MB362-381B18	36.2	1.425
MB362-381B20	40.0	1.575
MB362-381B22	43.8	1.725
MB362-381B24	47.6	1.875
MB362-381B26	51.4	2.025
MB362-381B28	55.3	2.175
MB362-381B30	59.1	2.325
MB362-381B32	62.9	2.475



PCB Layout



Note:
Screw Plating: Changes are available upon request

MB 362-500M Modular



Pitch: 5.00mm(0.197inch)

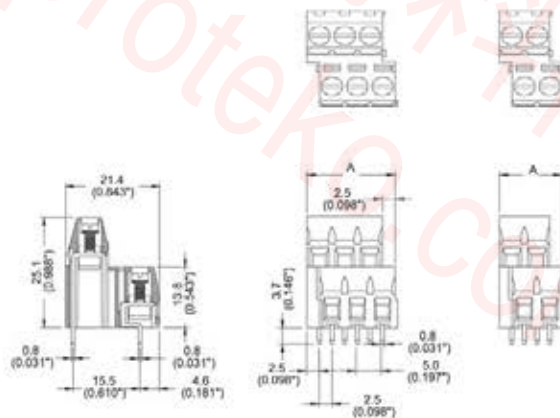


SPECIFICATIONS

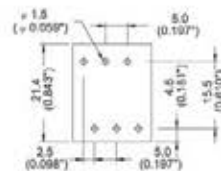
			CUL	VDE
負載電壓	Rated Voltage	Bemessungsspannung	AC 300V	AC 450V
負載電流	Rated Current	Bemessungsstrom	16A	16A
電線線徑	Wire Size	Leitergrößen	26~16AWG	0.2~2.5mm ²
塑膠本體	Housing Material	Isolierstofftyp	Polyamide66(UL94V-0)	
押線圈	Cage Clamp	Klemmkörper	Brass, Ni plated	
端子	Terminal	Stiftmaterial	Brass, Tin plated	
螺絲	Screw Size	Schraubengewinde	M2.6, steel, Zinc plated	
操作溫度	Operating Temperature	Umgebungstemperatur	-40°C to + 105°C	
扭力	Torque	Anzugsmoment	5.0 lb-inch	
PC板孔徑	PCB Hole Diameter	Lochdurchmesser	ø 1.5mm	
UL File No.	E167040			

TABLE

Item No.	A(mm)	A(inch)
MB362-500M04	12.5	0.492
MB362-500M06	17.5	0.689



PCB Layout



Note:
 Screw Plating: Changes are available upon request
 Cage Clamp: MB 360: Steel
 MB 361: Zinc

MB 362-508M Modular



Pitch: 5.08mm(0.200inch)

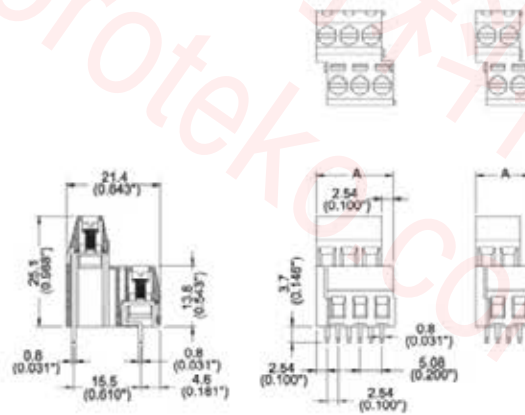


SPECIFICATIONS

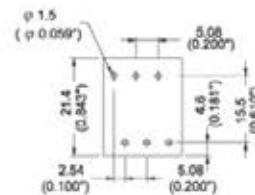
			CUL	VDE
負載電壓	Rated Voltage	Bemessungsspannung	AC 300V	AC 450V
負載電流	Rated Current	Bemessungsstrom	16A	16A
電線線徑	Wire Size	Leitergrößen	26~16AWG	0.2~2.5mm ²
塑膠本體	Housing Material	Isolierstofftyp	Polyamide66(UL94V-0)	
押線圈	Cage Clamp	Klemmkörper	Brass, Ni plated	
端子	Terminal	Stiftmaterial	Brass, Tin plated	
螺絲	Screw Size	Schraubengewinde	M2.6, steel, Zinc plated	
操作溫度	Operating Temperature	Umgebungstemperatur	-40°C to + 105°C	
扭力	Torque	Anzugsmoment	5.0 lb-inch	
PC板孔徑	PCB Hole Diameter	Lochdurchmesser	φ 1.5mm	
UL File No.	E167040			

TABLE

Item No.	A(mm)	A(inch)
MB362-508M04	12.7	0.500
MB362-508M06	17.8	0.700



PCB Layout



Note:

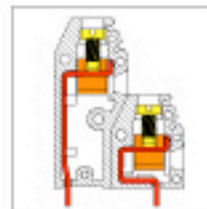
Screw Plating: Changes are available upon request

Cage Clamp: MB 360: Steel

MB 361: Zinc

Pitch: 5.00mm(0.197inch)

- Description :
- Pitch : 5.00 mm (0.197 inch)

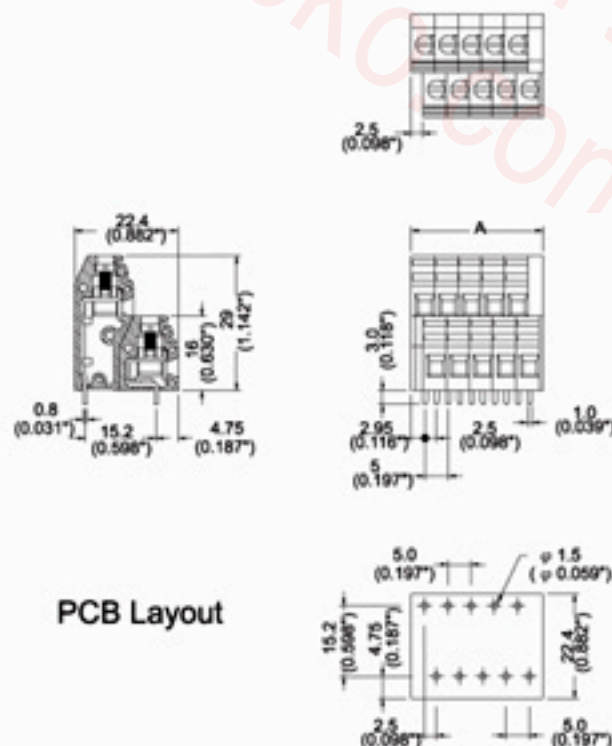
CUL[®] US

SPECIFICATIONS

		CUL	
負載電壓	Rated Voltage	Bemessungsspannung	AC 300V
負載電流	Rated Current	Bemessungsstrom	10A
電線線徑	Wire Size	Leitergrößen	22~14AWG
塑膠本體	Housing Material	Isolierstofftyp	Polyamide66(UL94V-0)
押線圈	Cage Clamp	Klemmkörper	Brass, Tin plated
端子	Terminal	Stiftmaterial	Brass, Tin plated
螺絲	Screw Size	Schraubengewinde	M2.6, steel, Zinc plated
操作溫度	Operating Temperature	Umgebungstemperatur	-40°C to + 105°C
扭力	Torque	Anzugsmoment	5.0 lb-inch
PC板孔徑	PCB Hole Diameter	Lochdurchmesser	φ 1.5mm

TABLE

Item No.	A(mm)	A(inch)
MB372-50004	13.3	0.524
MB372-50006	18.3	0.720
MB372-50008	23.3	0.917
MB372-50010	28.3	1.114
MB372-50012	33.3	1.311
MB372-50014	38.3	1.508
MB372-50016	43.3	1.705
MB372-50018	48.3	1.902
MB372-50020	53.3	2.098
MB372-50022	58.3	2.295
MB372-50024	63.3	2.492
MB372-50026	68.3	2.689
MB372-50028	73.3	2.886
MB372-50030	78.3	3.083
MB372-50032	83.3	3.280
MB372-50034	88.3	3.476
MB372-50036	93.3	3.673
MB372-50038	98.3	3.870
MB372-50040	103.3	4.067
MB372-50042	108.3	4.264
MB372-50044	113.3	4.461
MB372-50046	118.3	4.657
MB372-50048	123.3	4.854



PCB Layout

Note:

Screw Plating: Changes are available upon request
Cage Clamp: MB 370: Steel

MB 372-508



Pitch: 5.08mm(0.200inch)

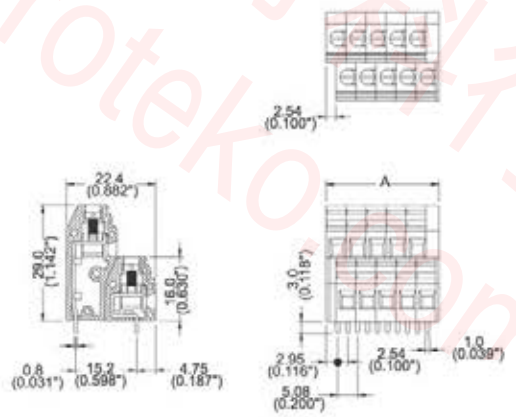


SPECIFICATIONS

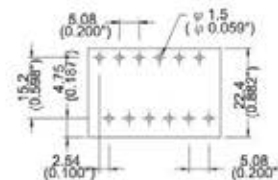
			CUL	VDE
負載電壓	Rated Voltage	Bemessungsspannung		
負載電流	Rated Current	Bemessungsstrom		
電線線徑	Wire Size	Leitergrößen	22~14AWG	0.2~1.5mm ²
塑膠本體	Housing Material	Isolierstofftyp	Polyamide66(UL94V-0)	
押線圈	Cage Clamp	Klemmkörper	Brass, Ni plated	
端子	Terminal	Stiftmaterial	Brass, Tin plated	
螺絲	Screw Size	Schraubengewinde	M2.6, steel, Zinc plated	
操作溫度	Operating Temperature	Umgebungstemperatur	-40°C to + 105°C	
扭力	Torque	Anzugsmoment	5.0 lb-inch	
PC板孔徑	PCB Hole Diameter	Lochdurchmesser	Ø 1.5mm	

TABLE

Item No.	A(mm)	A(inch)
MB372-50804	13.4	0.527
MB372-50806	18.5	0.727
MB372-50808	23.5	0.927
MB372-50810	28.6	1.127
MB372-50812	33.7	1.327
MB372-50814	38.8	1.527
MB372-50816	43.9	1.727
MB372-50818	48.9	1.927
MB372-50820	54.0	2.127
MB372-50822	59.1	2.327
MB372-50824	64.2	2.527
MB372-50826	69.3	2.727
MB372-50828	74.3	2.927
MB372-50830	79.4	3.127
MB372-50832	84.5	3.327
MB372-50834	89.6	3.527
MB372-50836	94.7	3.727
MB372-50838	99.7	3.927
MB372-50840	104.8	4.127
MB372-50842	109.9	4.327
MB372-50844	115.0	4.527
MB372-50846	120.1	4.727
MB372-50848	125.1	4.927



PCB Layout



Note:
Screw Plating: Changes are available upon request
Cage Clamp: MB 370: Steel

MB 382-500



Pitch: 5.00mm(0.197inch)

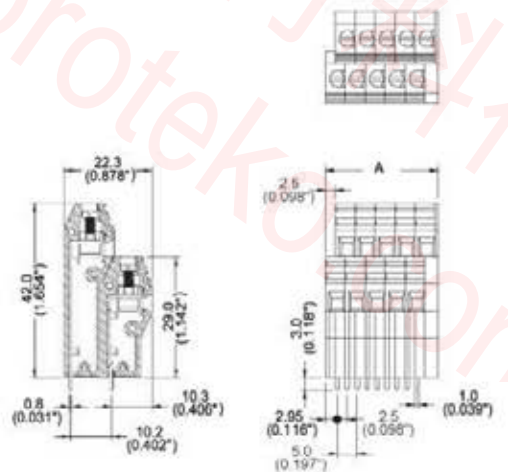


SPECIFICATIONS

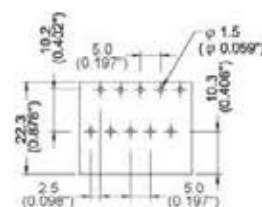
			CUL	VDE
負載電壓	Rated Voltage	Bemessungsspannung		
負載電流	Rated Current	Bemessungsstrom		
電線線徑	Wire Size	Leitergrößen	22~14AWG	0.2~1.5mm ²
塑膠本體	Housing Material	Isolierstofftyp	Polyamide66(UL94V-0)	
押線圈	Cage Clamp	Klemmkörper	Steel, Ni plated	
端子	Terminal	Stiftmaterial	Brass, Tin plated	
螺絲	Screw Size	Schraubengewinde	M2.6, steel, Ni plated	
操作溫度	Operating Temperature	Umgebungstemperatur	-40°C to + 105°C	
扭力	Torque	Anzugsmoment	5.0 lb-inch	
PC板孔徑	PCB Hole Diameter	Lochdurchmesser	φ 1.5mm	

TABLE

Item No.	A(mm)	A(inch)
MB382-50004	13.3	0.524
MB382-50006	18.3	0.720
MB382-50008	23.3	0.917
MB382-50010	28.3	1.114
MB382-50012	33.3	1.311
MB382-50014	38.3	1.508
MB382-50016	43.3	1.705
MB382-50018	48.3	1.902
MB382-50020	53.3	2.098
MB382-50022	58.3	2.295
MB382-50024	63.3	2.492
MB382-50026	68.3	2.689
MB382-50028	73.3	2.886
MB382-50030	78.3	3.083
MB382-50032	83.3	3.280
MB382-50034	88.3	3.476
MB382-50036	93.3	3.673
MB382-50038	98.3	3.870
MB382-50040	103.3	4.067
MB382-50042	108.3	4.264
MB382-50044	113.3	4.461
MB382-50046	118.3	4.657
MB382-50048	123.3	4.854



PCB Layout



Note:
Screw Plating: Changes are available upon request
Cage Clamp: MB 380: Steel

MB 382-508



Pitch: 5.08mm(0.200inch)

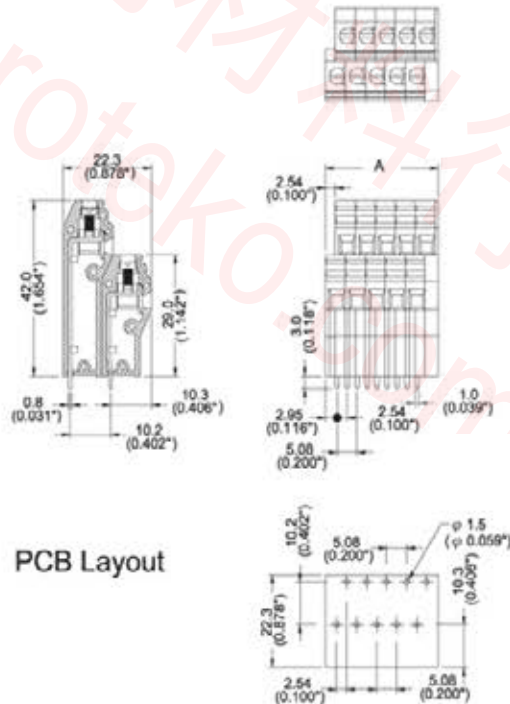


SPECIFICATIONS

			CUL	VDE
負載電壓	Rated Voltage	Bemessungsspannung		
負載電流	Rated Current	Bemessungsstrom		
電線線徑	Wire Size	Leitergrößen	22~14AWG	0.2~1.5mm ²
塑膠本體	Housing Material	Isolierstofftyp	Polyamide66(UL94V-0)	
押線圈	Cage Clamp	Klemmkörper	Brass, Ni plated	
端子	Terminal	Stiftmaterial	Brass, Tin plated	
螺絲	Screw Size	Schraubengewinde	M2.6, steel, Zinc plated	
操作溫度	Operating Temperature	Umgebungstemperatur	-40°C to + 105°C	
扭力	Torque	Anzugsmoment	5.0 lb-inch	
PC板孔徑	PCB Hole Diameter	Lochdurchmesser	φ 1.5mm	

TABLE

Item No.	A(mm)	A(Inch)
MB382-50804	13.4	0.527
MB382-50806	18.5	0.727
MB382-50808	23.5	0.927
MB382-50810	28.6	1.127
MB382-50812	33.7	1.327
MB382-50814	38.8	1.527
MB382-50816	43.9	1.727
MB382-50818	48.9	1.927
MB382-50820	54.0	2.127
MB382-50822	59.1	2.327
MB382-50824	64.2	2.527
MB382-50826	69.3	2.727
MB382-50828	74.3	2.927
MB382-50830	79.4	3.127
MB382-50832	84.5	3.327
MB382-50834	89.6	3.527
MB382-50836	94.7	3.727
MB382-50838	99.7	3.927
MB382-50840	104.8	4.127
MB382-50842	109.9	4.327
MB382-50844	115.0	4.527
MB382-50846	120.1	4.727
MB382-50848	125.1	4.927



PCB Layout

Note:
Screw Plating: Changes are available upon request
Cage Clamp: MB 380: Steel

MB 410-635M

Modular



Pitch: 6.35mm(0.250inch)

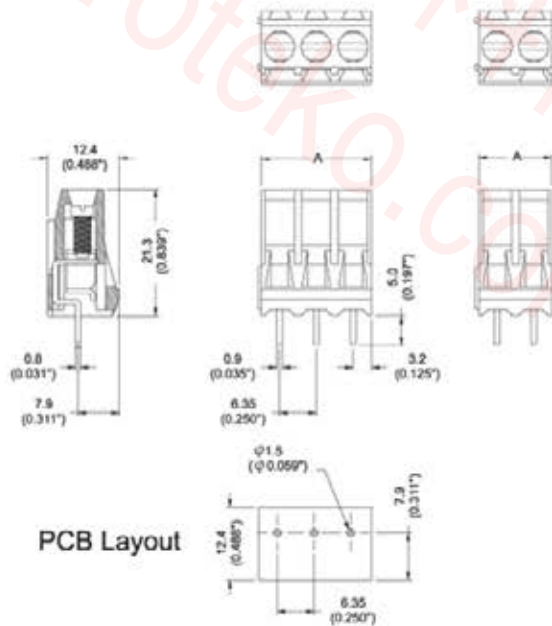


SPECIFICATIONS

			CUL	VDE
負載電壓	Rated Voltage	Bemessungsspannung		
負載電流	Rated Current	Bemessungsstrom		
電線線徑	Wire Size	Leitergrößen	20~10AWG	0.2~4mm ²
塑膠本體	Housing Material	Isolierstofftyp	PBT(UL94V-0)	
押線圈	Cage Clamp	Klemmkörper	Steel, Ni plated	
端子	Terminal	Stiftmaterial	Brass, Tin plated	
螺絲	Screw Size	Schraubengewinde	M3.0, steel, Ni plated	
操作溫度	Operating Temperature	Umgebungstemperatur	-40°C to + 105°C	
扭力	Torque	Anzugsmoment	5.5 lb-inch	
PC板孔徑	PCB Hole Diameter	Lochdurchmesser	φ1.5mm	

TABLE

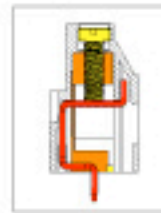
Item No.	A(mm)	A(inch)
MB410-635M02	12.7	0.500
MB410-635M03	19.1	0.750



Note:
Screw Plating: Changes are available upon request

Pitch: 5.00mm(0.197inch)

- **Description:**
- Pitch : 5.00mm (0.197inch)

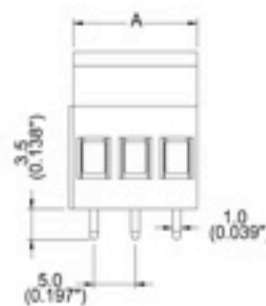
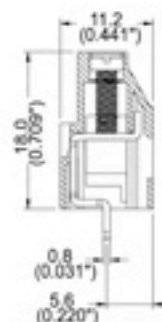



SPECIFICATIONS

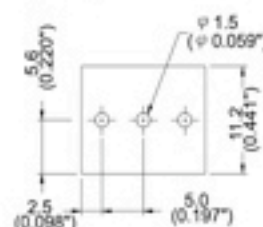
		CUL	
負載電壓	Rated Voltage	Bemessungsspannung	AC 300V
負載電流	Rated Current	Bemessungsstrom	27A
電線線徑	Wire Size	Leitergrößen	24~12AWG
塑膠本體	Housing Material	Isolierstofftyp	Polyamide66(UL94V-0)
押線圈	Cage Clamp	Klemmkörper	Brass, Ni plated
端子	Terminal	Stiftmaterial	Brass, Tin plated
螺絲	Screw Size	Schraubengewinde	M2.6, steel, Zinc plated
操作溫度	Operating Temperature	Umgebungstemperatur	-40°C to + 105°C
扭力	Torque	Anzugsmoment	5.0 lb-inch
PC板孔徑	PCB Hole Diameter	Lochdurchmesser	φ1.5mm
UL File No.	E167040		

TABLE

Item No.	A(mm)	A(inch)
MB422-500MA02	10.0	0.394
MB422-500MA03	15.0	0.591



PCB Layout

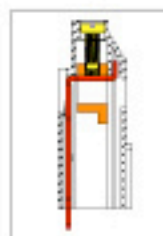


Note:

Screw Plating: Changes are available upon request

Pitch: 5.00mm(0.197inch)

- **Description:**
- Pitch : 5.00mm (0.197inch)

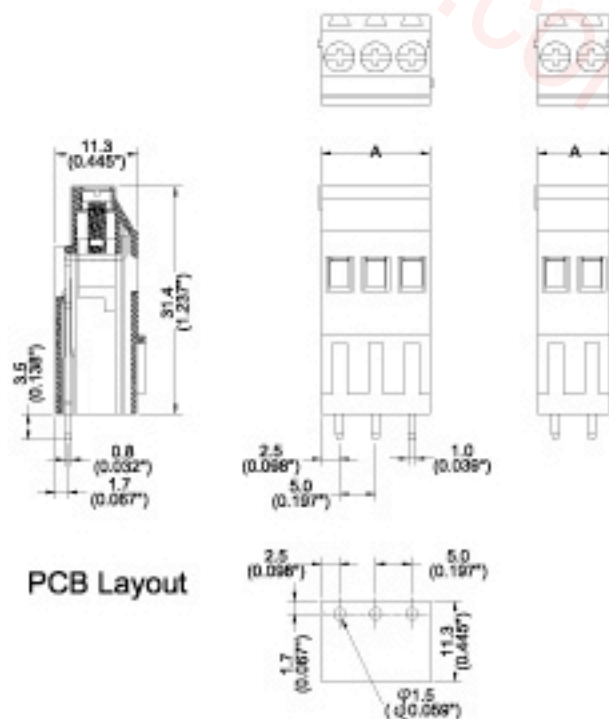


SPECIFICATIONS

			CUL
負載電壓	Rated Voltage	Bemessungsspannung	AC 300V
負載電流	Rated Current	Bemessungsstrom	27A
電線線徑	Wire Size	Leitergrößen	24~12AWG
塑膠本體	Housing Material	Isolierstofftyp	Polyamide66(UL94V-0)
押線圈	Cage Clamp	Klemmkörper	Brass, Ni plated
端子	Terminal	Stiftmaterial	Brass, Tin plated
螺絲	Screw Size	Schraubengewinde	M2.6, steel, Zinc plated
操作溫度	Operating Temperature	Umgebungstemperatur	-40°C to + 105°C
扭力	Torque	Anzugsmoment	5.0 lb-inch
PC板孔徑	PCB Hole Diameter	Lochdurchmesser	φ 1.5mm

TABLE

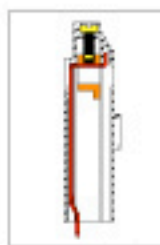
Item No.	A(mm)	A(inch)
MB422-500MB02	10.00	0.394
MB422-500MB03	15.00	0.591



PCB Layout

Pitch: 5.00mm(0.197inch)

- **Description:**
- Pitch : 5.00mm (0.197inch)

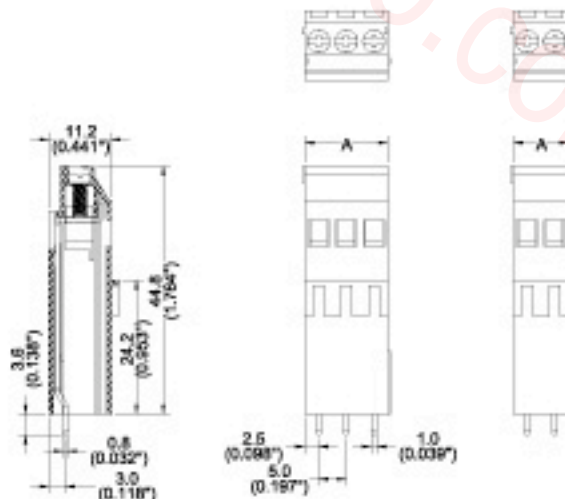


SPECIFICATIONS

			CUL
負載電壓	Rated Voltage	Bemessungsspannung	AC 300V
負載電流	Rated Current	Bemessungsstrom	27A
電線線徑	Wire Size	Leitergrößen	24~12AWG
塑膠本體	Housing Material	Isolierstofftyp	Polyamide66(UL94V-0)
押線圈	Cage Clamp	Klemmkörper	Brass, Ni plated
端子	Terminal	Stiftmaterial	Brass, Tin plated
螺絲	Screw Size	Schraubengewinde	M2.6, steel, Zinc plated
操作溫度	Operating Temperature	Umgebungstemperatur	-40°C to + 105°C
扭力	Torque	Anzugsmoment	5.0 lb-inch
PC板孔徑	PCB Hole Diameter	Lochdurchmesser	φ 1.5mm

TABLE

Item No.	A(mm)	A(inch)
MB422-500MC02	10.00	0.394
MB422-500MC03	15.00	0.591

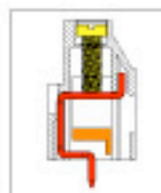


PCB Layout



Pitch: 5.08mm(0.200inch)

- **Description:**
- Pitch : 5.08mm (0.200inch)

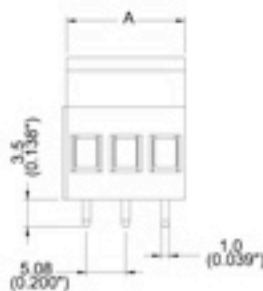



SPECIFICATIONS

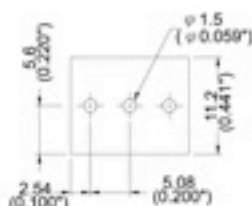
			CUL
負載電壓	Rated Voltage	Bemessungsspannung	AC 300V
負載電流	Rated Current	Bemessungsstrom	27A
電線線徑	Wire Size	Leitergrößen	24~12AWG
塑膠本體	Housing Material	Isolierstofftyp	Polyamide66(UL94V-0)
押線圈	Cage Clamp	Klemmkörper	Brass, Ni plated
端子	Terminal	Stiftmaterial	Brass, Tin plated
螺絲	Screw Size	Schraubengewinde	M2.6, steel, Zinc plated
操作溫度	Operating Temperature	Umgebungstemperatur	-40°C to + 105°C
扭力	Torque	Anzugsmoment	5.0 lb-inch
PC板孔徑	PCB Hole Diameter	Lochdurchmesser	φ 1.5mm
UL File No.	E167040		

TABLE

Item No.	A(mm)	A(inch)
MB422-508MA02	10.2	0.400
MB422-508MA03	15.2	0.600



PCB Layout

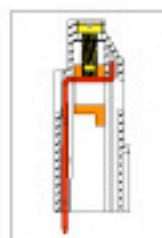


Note:

Screw Plating: Changes are available upon request

Pitch: 5.08mm(0.200inch)

- **Description:**
- Pitch : 5.08mm (0.200inch)

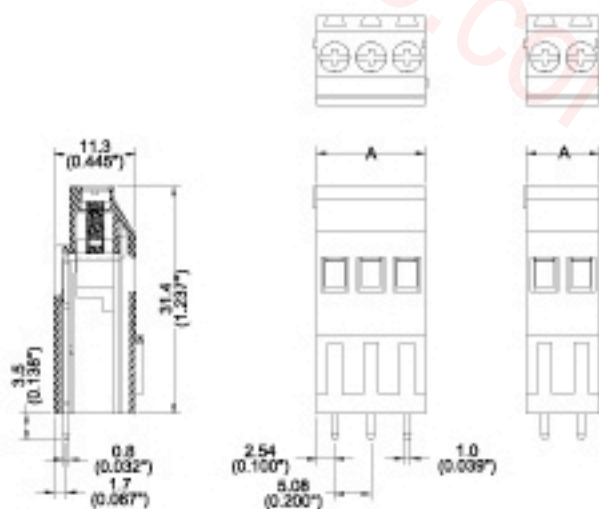



SPECIFICATIONS

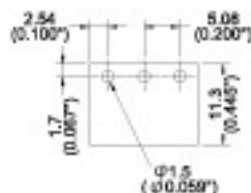
			CUL
負載電壓	Rated Voltage	Bemessungsspannung	AC 300V
負載電流	Rated Current	Bemessungsstrom	27A
電線線徑	Wire Size	Leitergrößen	24~12AWG
塑膠本體	Housing Material	Isolierstofftyp	Polyamide66(UL94V-0)
押線圈	Cage Clamp	Klemmkörper	Brass, Ni plated
端子	Terminal	Stiftmaterial	Brass, Tin plated
螺絲	Screw Size	Schraubengewinde	M2.6, steel, Zinc plated
操作溫度	Operating Temperature	Umgebungstemperatur	-40°C to + 105°C
扭力	Torque	Anzugsmoment	5.0 lb-inch
PC板孔徑	PCB Hole Diameter	Lochdurchmesser	φ 1.5mm

TABLE

Item No.	A(mm)	A(inch)
MB422-508MB02	10.16	0.400
MB422-508MB03	15.24	0.600

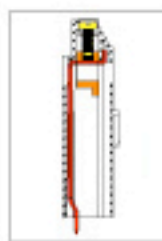


PCB Layout



Pitch: 5.08mm(0.200inch)

- **Description:**
- Pitch : 5.08mm (0.200inch)

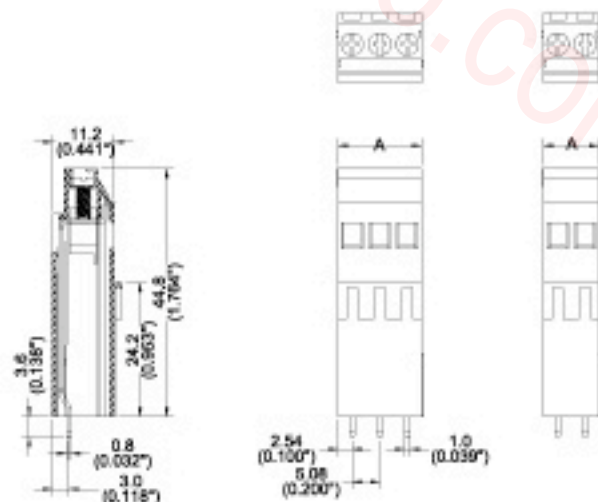



SPECIFICATIONS

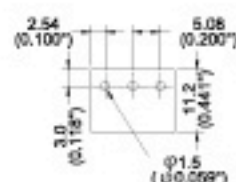
			CUL
負載電壓	Rated Voltage	Bemessungsspannung	AC 300V
負載電流	Rated Current	Bemessungsstrom	27A
電線線徑	Wire Size	Leitergrößen	24~12AWG
塑膠本體	Housing Material	Isolierstofftyp	Polyamide66(UL94V-0)
押線圈	Cage Clamp	Klemmkörper	Brass, Ni plated
端子	Terminal	Stiftmaterial	Brass, Tin plated
螺絲	Screw Size	Schraubengewinde	M2.6, steel, Zinc plated
操作溫度	Operating Temperature	Umgebungstemperatur	-40°C to + 105°C
扭力	Torque	Anzugsmoment	5.0 lb-inch
PC板孔徑	PCB Hole Diameter	Lochdurchmesser	φ 1.5mm

TABLE

Item No.	A(mm)	A(inch)
MB422-508MC02	10.16	0.400
MB422-508MC03	15.24	0.600



PCB Layout



MB 432-500MA



Pitch: 5.00mm(0.197inch)

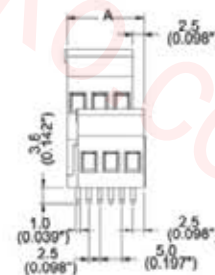
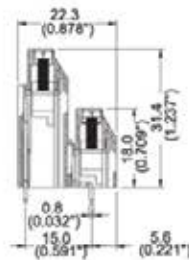


SPECIFICATIONS

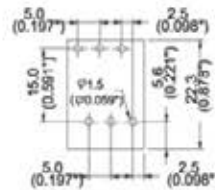
		CUL		VDE	
負載電壓	Rated Voltage	Bemessungsspannung	AC 300V		
負載電流	Rated Current	Bemessungsstrom	27A		
電線線徑	Wire Size	Leitergrößen	24~12AWG		
塑膠本體	Housing Material	Isolierstofftyp	Polyamide66(UL94V-0)		
押線圈	Cage Clamp	Klemmkörper	Brass, Ni plated		
端子	Terminal	Stiftmaterial	Brass, Tin plated		
螺絲	Screw Size	Schraubengewinde	M2.6, steel, Zinc plated		
操作溫度	Operating Temperature	Umgebungstemperatur	-40°C to +105°C		
扭力	Torque	Anzugsmoment	5.0 lb-inch		
PC板孔徑	PCB Hole Diameter	Lochdurchmesser	φ 1.5mm		
UL File No.	E167040				

TABLE

Item No.	A(mm)	A(inch)
MB432-500MA04	12.5	0.492
MB432-500MA06	17.5	0.689



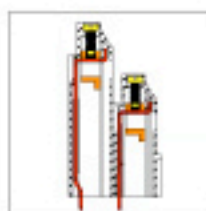
PCB Layout



Note:
Screw Plating: Changes are available upon request

Pitch: 5.00mm(0.197inch)

- **Description:**
- Pitch : 5.00mm (0.197inch)

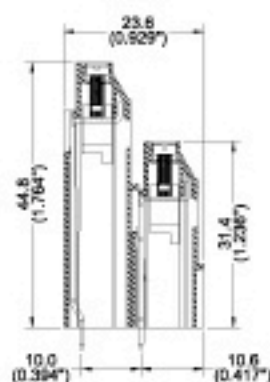


SPECIFICATIONS

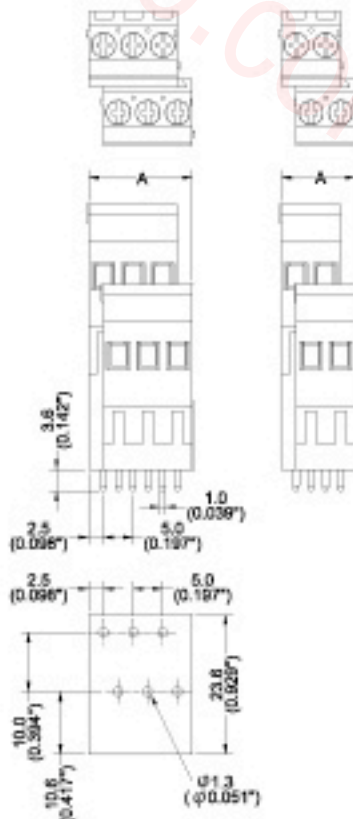
			CUL
負載電壓	Rated Voltage	Bemessungsspannung	AC 300V
負載電流	Rated Current	Bemessungsstrom	27A
電線線徑	Wire Size	Leitergrößen	24-12AWG
塑膠本體	Housing Material	Isolierstofftyp	Polyamide66(UL94V-0)
押線圈	Cage Clamp	Klemmkörper	Brass, Ni plated
端子	Terminal	Stiftmaterial	Brass, Tin plated
螺絲	Screw Size	Schraubengewinde	M2.6, steel, Zinc plated
操作溫度	Operating Temperature	Umgebungstemperatur	-40°C to + 105°C
扭力	Torque	Anzugsmoment	5.0 lb-inch
PC板孔徑	PCB Hole Diameter	Lochdurchmesser	φ1.3mm

TABLE

Item No.	A(mm)	A(inch)
MB432-500MB04	12.50	0.492
MB432-500MB06	17.50	0.689



PCB Layout



MB 432-508MA



Pitch: 5.08mm(0.200inch)

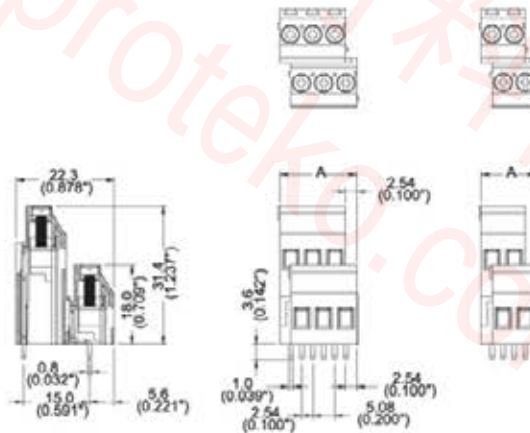


SPECIFICATIONS

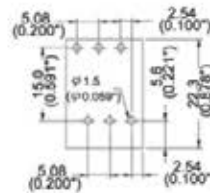
			CUL	VDE
負載電壓	Rated Voltage	Bemessungsspannung	AC 300V	
負載電流	Rated Current	Bemessungsstrom	27A	
電線線徑	Wire Size	Leitergrößen	24~12AWG	
塑膠本體	Housing Material	Isolierstofftyp	Polyamide66(UL94V-0)	
押線圈	Cage Clamp	Klemmkörper	Brass, Ni plated	
端子	Terminal	Stiftmaterial	Brass, Tin plated	
螺絲	Screw Size	Schraubengewinde	M2.6, steel, Zinc plated	
操作溫度	Operating Temperature	Umgebungstemperatur	-40°C to + 105°C	
扭力	Torque	Anzugsmoment	5.0 lb-inch	
PC板孔徑	PCB Hole Diameter	Lochdurchmesser	φ 1.5mm	
UL File No.	E167040			

TABLE

Item No.	A(mm)	A(inch)
MB432-508MA04	12.7	0.500
MB432-508MA06	17.8	0.700



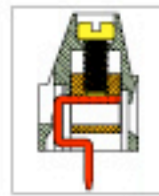
PCB Layout



Note:
Screw Plating: Changes are available upon request

Pitch: 5.08mm(0.200inch)

- **Description:**
- Pitch : 5.08mm (0.200inch)

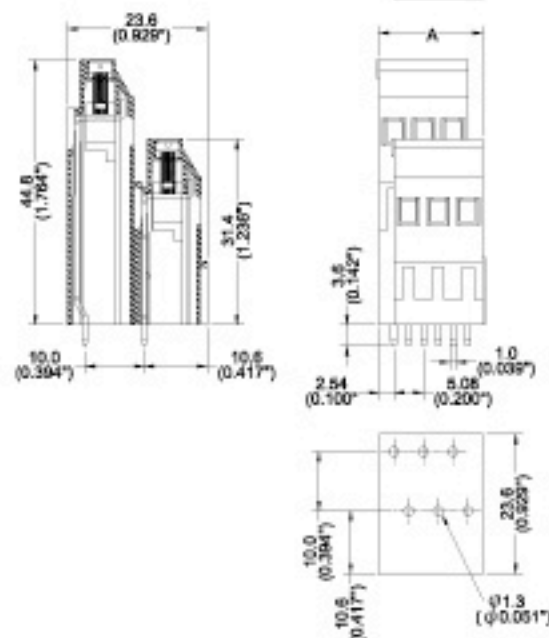


SPECIFICATIONS

			CUL
負載電壓	Rated Voltage	Bemessungsspannung	AC 300V
負載電流	Rated Current	Bemessungsstrom	27A
電線線徑	Wire Size	Leitergrößen	24~12AWG
塑膠本體	Housing Material	Isolierstofftyp	Polyamide66(UL94V-0)
押線圈	Cage Clamp	Klemmkörper	Brass, Ni plated
端子	Terminal	Stiftmaterial	Brass, Tin plated
螺絲	Screw Size	Schraubengewinde	M2.6, steel, Zinc plated
操作溫度	Operating Temperature	Umgebungstemperatur	-40°C to + 105°C
扭力	Torque	Anzugsmoment	5.0 lb-inch
PC板孔徑	PCB Hole Diameter	Lochdurchmesser	φ1.3mm

TABLE

Item No.	A(mm)	A(inch)
MB432-508MB04	12.70	0.500
MB432-508MB06	17.78	0.700



MB 522-381A



Pitch: 3.81mm(0.150mm)

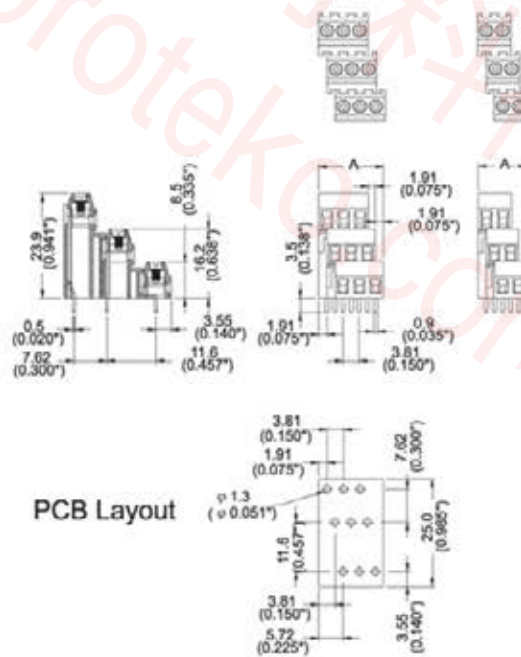


SPECIFICATIONS

			CUL	VDE
負載電壓	Rated Voltage	Bemessungsspannung	AC300V	
負載電流	Rated Current	Bemessungsstrom	10A	
電線線徑	Wire Size	Leitergrößen	26~16AWG	0.14~1.5mm ²
塑膠本體	Housing Material	Isolierstofftyp	Polyamide66(UL94V-0)	
押線圈	Cage Clamp	Klemmkörper	Brass, Ni plated	
端子	Terminal	Stiftmaterial	Brass, Tin plated	
螺絲	Screw Size	Schraubengewinde	M2.0, steel, Ni plated	
操作溫度	Operating Temperature	Umgebungstemperatur	-40°C to + 105°C	
扭力	Torque	Anzugsmoment	2.0 lb-inch	
PC板孔徑	PCB Hole Diameter	Lochdurchmesser	φ 1.3mm	
UL File No.	E167040			

TABLE

Item No.	A(mm)	A(inch)
MB522-381A06	11.4	0.450
MB522-381A09	15.2	0.600
MB522-381A12	19.1	0.750
MB522-381A15	22.9	0.900
MB522-381A18	26.7	1.050
MB522-381A21	30.5	1.200
MB522-381A24	34.3	1.350
MB522-381A27	38.1	1.500
MB522-381A30	41.9	1.650
MB522-381A33	45.7	1.800
MB522-381A36	49.5	1.950
MB522-381A39	53.3	2.100
MB522-381A42	57.1	2.250
MB522-381A45	61.0	2.400
MB522-381A48	64.8	2.550



PCB Layout

Note:
Screw Plating: Changes are available upon request

MB 522-500



Pitch: 5.00mm(0.197inch)

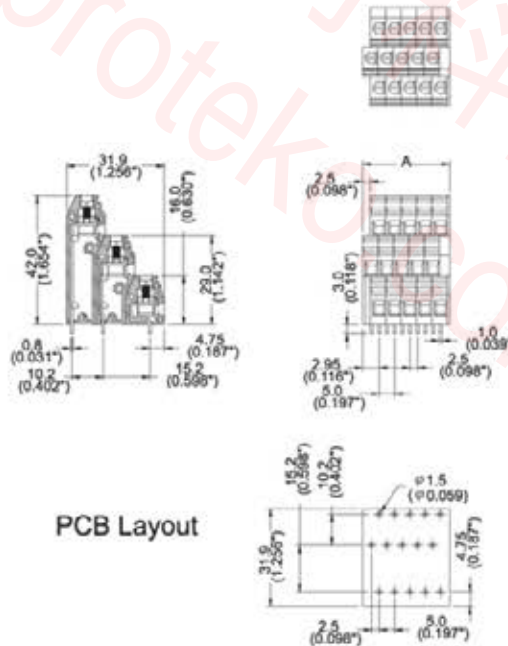


SPECIFICATIONS

			CUL	VDE
負載電壓	Rated Voltage	Bemessungsspannung		
負載電流	Rated Current	Bemessungsstrom		
電線線徑	Wire Size	Leitergrößen	22~14AWG	0.2~1.5mm ²
塑膠本體	Housing Material	Isolierstofftyp	Polyamide66(UL94V-0)	
押線圈	Cage Clamp	Klemmkörper	Brass, Ni plated	
端子	Terminal	Stiftmaterial	Brass, Tin plated	
螺絲	Screw Size	Schraubengewinde	M2.6, steel, Zinc plated	
操作溫度	Operating Temperature	Umgebungstemperatur	-40°C to + 105°C	
扭力	Torque	Anzugsmoment	5.0 lb-inch	
PC板孔徑	PCB Hole Diameter	Lochdurchmesser	φ 1.5mm	

TABLE

Item No.	A(mm)	A(inch)
MB522-50006	13.3	0.524
MB522-50009	18.3	0.720
MB522-50012	23.3	0.917
MB522-50015	28.3	1.114
MB522-50018	33.3	1.311
MB522-50021	38.3	1.508
MB522-50024	43.3	1.705
MB522-50027	48.3	1.902
MB522-50030	53.3	2.098
MB522-50033	58.3	2.295
MB522-50036	63.3	2.492
MB522-50039	68.3	2.689
MB522-50042	73.3	2.886
MB522-50045	78.3	3.083
MB522-50048	83.3	3.280
MB522-50051	88.3	3.476
MB522-50054	93.3	3.673
MB522-50057	98.3	3.870
MB522-50060	103.3	4.067
MB522-50063	108.3	4.264
MB522-50066	113.3	4.461
MB522-50069	118.3	4.657
MB522-50072	123.3	4.854



Note:
Screw Plating: Changes are available upon request
Cage Clamp: MB 520: Steel

MB 522-508



Pitch: 5.08mm(0.200inch)

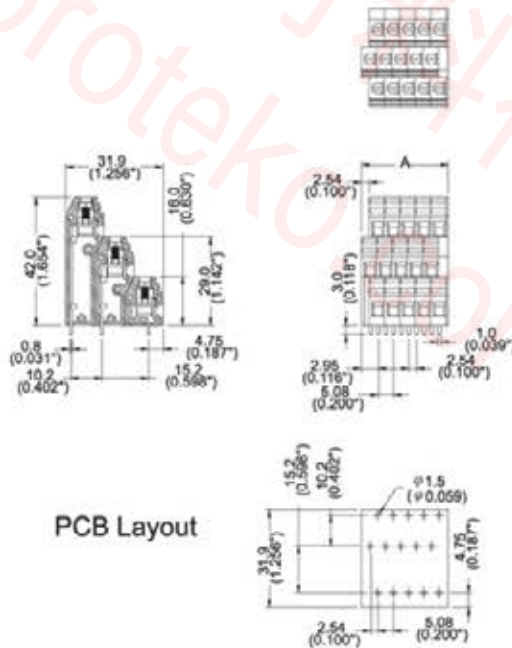


SPECIFICATIONS

SPECIFICATIONS		CUL	VDE
負載電壓	Rated Voltage	Bemessungsspannung	
負載電流	Rated Current	Bemessungsstrom	
電線線徑	Wire Size	Leitergrößen	22~14AWG 0.2~1.5mm ²
塑膠本體	Housing Material	Isolierstofftyp	Polyamide66(UL94V-0)
押線圈	Cage Clamp	Klemmkörper	Brass, Ni plated
端子	Terminal	Stiftmaterial	Brass, Tin plated
螺絲	Screw Size	Schraubengewinde	M2.6, steel, Zinc plated
操作溫度	Operating Temperature	Umgebungstemperatur	-40°C to + 105°C
扭力	Torque	Anzugsmoment	5.0 lb-inch
PC板孔徑	PCB Hole Diameter	Lochdurchmesser	φ 1.5mm

TABLE

Item No.	A(mm)	A(inch)
MB522-50806	13.4	0.527
MB522-50809	18.5	0.727
MB522-50812	23.5	0.927
MB522-50815	28.6	1.127
MB522-50818	33.7	1.327
MB522-50821	38.8	1.527
MB522-50824	43.9	1.727
MB522-50827	48.9	1.927
MB522-50830	54.0	2.127
MB522-50833	59.1	2.327
MB522-50836	64.2	2.527
MB522-50839	69.3	2.727
MB522-50842	74.3	2.927
MB522-50845	79.4	3.127
MB522-50848	84.5	3.327
MB522-50851	89.6	3.527
MB522-50854	94.7	3.727
MB522-50857	99.7	3.927
MB522-50860	104.8	4.127
MB522-50863	109.9	4.327
MB522-50866	115.0	4.527
MB522-50869	120.1	4.727
MB522-50872	125.1	4.927



PCB Layout

Note:
Screw Plating: Changes are available upon request
Cage Clamp: MB 520: Steel

MB 532-500M Modular



Pitch: 5.00mm(0.197inch)

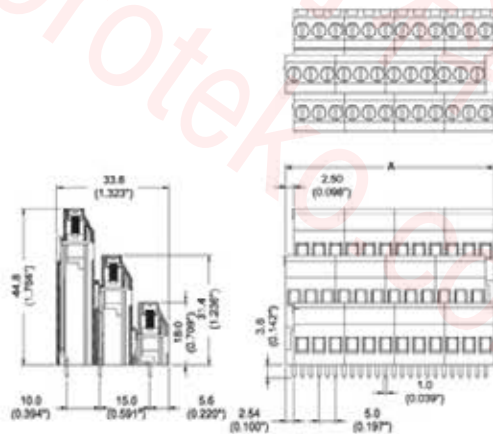


SPECIFICATIONS

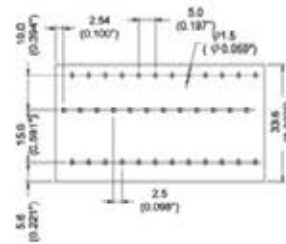
			CUL	VDE
負載電壓	Rated Voltage	Bemessungsspannung		
負載電流	Rated Current	Bemessungsstrom		
電線線徑	Wire Size	Leitergrößen	24~12AWG	0.2~4mm ²
塑膠本體	Housing Material	Isolierstofftyp	Polyamide66(UL94V-0)	
押線圈	Cage Clamp	Klemmkörper	Brass, Ni plated	
端子	Terminal	Stiftmaterial	Brass, Tin plated	
螺絲	Screw Size	Schraubengewinde	M2.6, steel, Zinc plated	
操作溫度	Operating Temperature	Umgebungstemperatur	-40°C to + 105°C	
扭力	Torque	Anzugsmoment	5.0 lb-inch	
PCB板孔徑	PCB Hole Diameter	Lochdurchmesser	φ 1.5mm	

TABLE

Item No.	A(mm)	A(inch)
MB532-500MA06	15.2	0.600
MB532-500MA09	20.3	0.800



PCB Layout



Note:
Screw Plating: Changes are available upon request

MB 532-508M Modular



Pitch: 5.08mm(0.200inch)

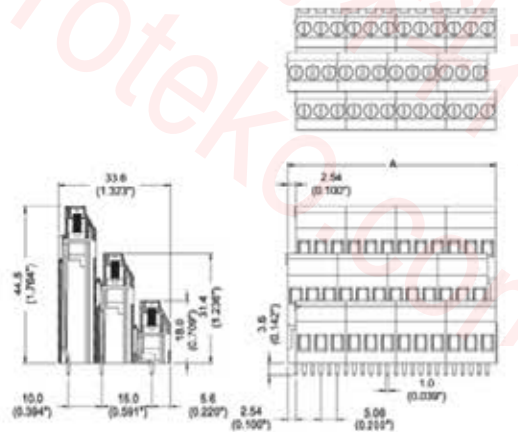


SPECIFICATIONS

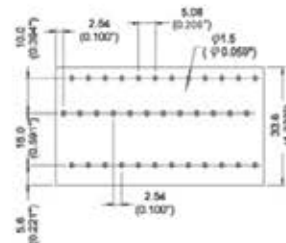
			CUL	VDE
負載電壓	Rated Voltage	Bemessungsspannung		
負載電流	Rated Current	Bemessungsstrom		
電線線徑	Wire Size	Leitergrößen	24~12AWG	0.2~4mm ²
塑膠本體	Housing Material	Isolierstofftyp	Polyamide66(UL94V-0)	
押線圈	Cage Clamp	Klemmkörper	Brass, Tin plated	
端子	Terminal	Stiftmaterial	Brass, Tin plated	
螺絲	Screw Size	Schraubengewinde	M2.6, steel, Zinc plated	
操作溫度	Operating Temperature	Umgebungstemperatur	-40°C to + 105°C	
扭力	Torque	Anzugsmoment	5.0 lb-inch	
PC板孔徑	PCB Hole Diameter	Lochdurchmesser	Ø1.5mm	

TABLE

Item No.	A(mm)	A(inch)
MB532-508MA06	15.2	0.600
MB532-508MA09	20.3	0.800



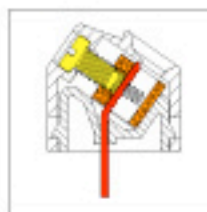
PCB Layout



Note:
Screw Plating: Changes are available upon request

Pitch: 3.50mm(0.138inch)

- **Description:**
- Pitch : 3.50mm (0.138inch)

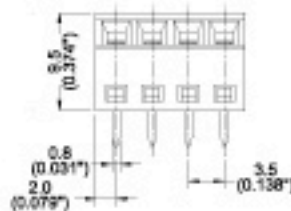
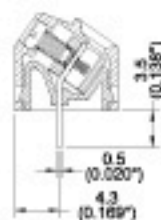
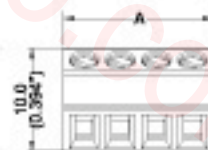


SPECIFICATIONS

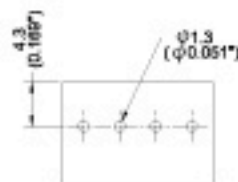
			CUL
負載電壓	Rated Voltage	Bemessungsspannung	AC 300V
負載電流	Rated Current	Bemessungsstrom	10A
電線線徑	Wire Size	Leitergrößen	28~16AWG
塑膠本體	Housing Material	Isolierstofftyp	Polyamide66(UL94V-0)
押線圈	Cage Clamp	Klemmkörper	Brass, Ni plated
端子	Terminal	Stiftmaterial	Brass, Tin plated
螺絲	Screw Size	Schraubengewinde	M2.6, steel, Zinc plated
操作溫度	Operating Temperature	Umgebungstemperatur	-40°C to + 105°C
扭力	Torque	Anzugsmoment	2.0 lb-inch
PC板孔徑	PCB Hole Diameter	Lochdurchmesser	φ1.3mm

TABLE

Item No.	A(mm)	A(inch)
MB552-35002	7.50	0.295
MB552-35003	11.00	0.433
MB552-35004	14.50	0.571
MB552-35005	18.00	0.709
MB552-35006	21.50	0.846
MB552-35007	25.00	0.984
MB552-35008	28.50	1.122
MB552-35009	32.00	1.260
MB552-35010	35.50	1.398
MB552-35011	39.00	1.535
MB552-35012	42.50	1.673
MB552-35013	46.00	1.811
MB552-35014	49.50	1.949
MB552-35015	53.00	2.087
MB552-35016	56.50	2.224
MB552-35017	60.00	2.362
MB552-35018	63.50	2.500
MB552-35019	67.00	2.638
MB552-35020	70.50	2.776
MB552-35021	74.00	2.913
MB552-35022	77.50	3.051
MB552-35023	81.00	3.189
MB552-35024	84.50	3.327



PCB Layout



MB 612-500

Single mold



Pitch: 5.00mm(0.197inch)

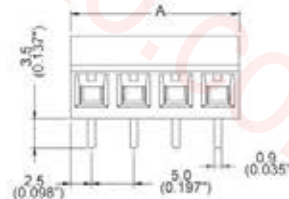


SPECIFICATIONS

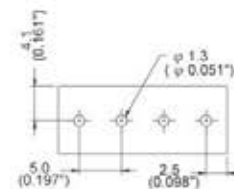
			CUL	VDE
負載電壓	Rated Voltage	Bemessungsspannung	AC 300V	
負載電流	Rated Current	Bemessungsstrom	16A	
電線線徑	Wire Size	Leitergrößen	26~14AWG	
塑膠本體	Housing Material	Isolierstofftyp	Polyamide66(UL94V-0)	
押線圈	Cage Clamp	Klemmkörper	Brass, Ni plated	
端子	Terminal	Stiftmaterial	Brass, Tin plated	
螺絲	Screw Size	Schraubengewinde	M3.0, steel, Zinc plated	
操作溫度	Operating Temperature	Umgebungstemperatur	-40°C to + 105°C	
扭力	Torque	Anzugsmoment	4.5 lb-inch	
PC板孔徑	PCB Hole Diameter	Lochdurchmesser	Ø 1.3mm	
UL File No.	E167040			

TABLE

Item No.	A(mm)	A(inch)
MB612-50002	10.0	0.394
MB612-50003	15.0	0.591
MB612-50004	20.0	0.787
MB612-50005	25.0	0.984
MB612-50006	30.0	1.181
MB612-50007	35.0	1.378
MB612-50008	40.0	1.575
MB612-50009	45.0	1.772
MB612-50010	50.0	1.969
MB612-50011	55.0	2.165
MB612-50012	60.0	2.362
MB612-50013	65.0	2.559
MB612-50014	70.0	2.765
MB612-50015	75.0	2.953
MB612-50016	80.0	3.150



PCB Layout



Note:
Screw Plating: Changes are available upon request

MB 612-508

Single mold



Pitch: 5.08mm(0.200inch)

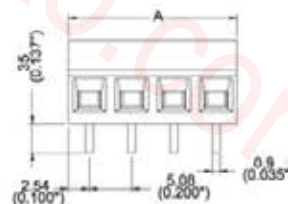
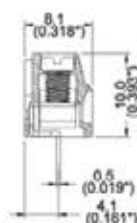


SPECIFICATIONS

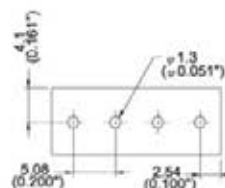
			CUL	VDE
負載電壓	Rated Voltage	Bemessungsspannung	AC 300V	
負載電流	Rated Current	Bemessungsstrom	16A	
電線線徑	Wire Size	Leitergrößen	26~14AWG	
塑膠本體	Housing Material	Isolierstofftyp	Polyamide66(UL94V-0)	
押線圈	Cage Clamp	Klemmkörper	Brass, Ni plated	
端子	Terminal	Stiftmaterial	Brass, Tin plated	
螺絲	Screw Size	Schraubengewinde	M3.0, steel, Zinc plated	
操作溫度	Operating Temperature	Umgebungstemperatur	-40°C to + 105°C	
扭力	Torque	Anzugsmoment	4.5 lb-inch	
PC板孔徑	PCB Hole Diameter	Lochdurchmesser	φ 1.3mm	
UL File No.	E167040			

TABLE

Item No.	A(mm)	A(inch)
MB612-50802	10.2	0.400
MB612-50803	15.2	0.600
MB612-50804	20.3	0.800
MB612-50805	25.4	1.000
MB612-50806	30.5	1.200
MB612-50807	35.6	1.400
MB612-50808	40.6	1.600
MB612-50809	45.7	1.800
MB612-50810	50.8	2.000
MB612-50811	55.9	2.200
MB612-50812	61.0	2.400
MB612-50813	66.0	2.600
MB612-50814	71.1	2.800
MB612-50815	76.2	3.000
MB612-50816	81.3	3.200



PCB Layout



Note:
Screw Plating: Changes are available upon request

MB 622-500

Single mold



B-49

Pitch: 5.00mm(0.197inch)

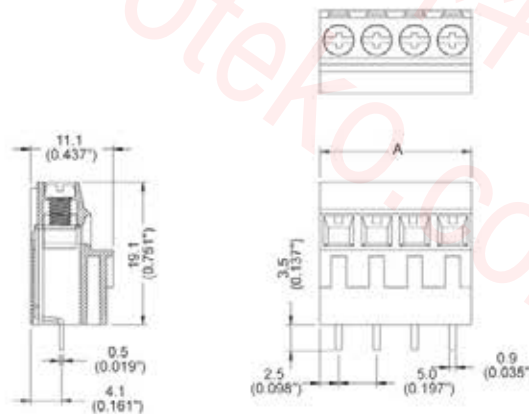


SPECIFICATIONS

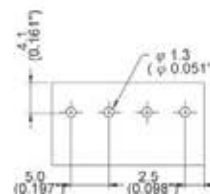
			CUL	VDE
負載電壓	Rated Voltage	Bemessungsspannung	AC 300V	
負載電流	Rated Current	Bemessungsstrom	16A	
電線線徑	Wire Size	Leitergrößen	26~14AWG	
塑膠本體	Housing Material	Isolierstofftyp	Polyamide66(UL94V-0)	
押線圈	Cage Clamp	Klemmkörper	Brass, Ni plated	
端子	Terminal	Stiftmaterial	Brass, Tin plated	
螺絲	Screw Size	Schraubengewinde	M3.0, steel, Zinc plated	
操作溫度	Operating Temperature	Umgebungstemperatur	-40°C to + 105°C	
扭力	Torque	Anzugsmoment	4.5 lb-inch	
PC板孔徑	PCB Hole Diameter	Lochdurchmesser	Ø 1.3mm	
UL File No.	E167040			

TABLE

Item No.	A(mm)	A(inch)
MB622-50002	10.0	0.394
MB622-50003	15.0	0.591
MB622-50004	20.0	0.787
MB622-50005	25.0	0.984
MB622-50006	30.0	1.181
MB622-50007	35.0	1.378
MB622-50008	40.0	1.575
MB622-50009	45.0	1.772
MB622-50010	50.0	1.969
MB622-50011	55.0	2.165
MB622-50012	60.0	2.362
MB622-50013	65.0	2.559
MB622-50014	70.0	2.765
MB622-50015	75.0	2.953
MB622-50016	80.0	3.150



PCB Layout



Note:
Screw Plating: Changes are available upon request

MB 622-508

Single mold



Pitch: 5.08mm(0.200inch)

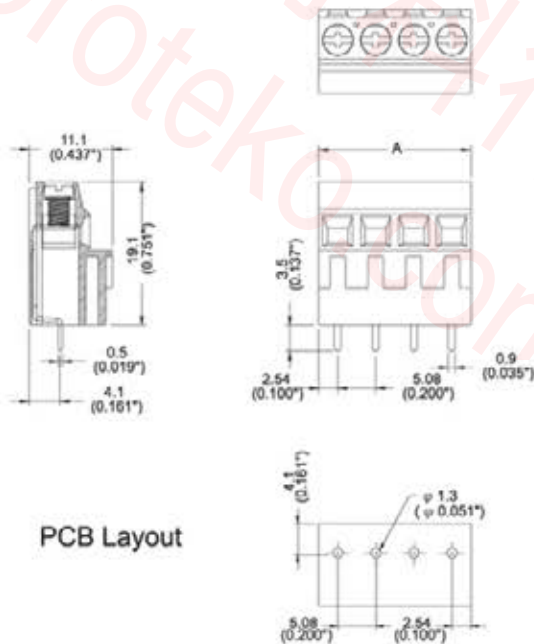


SPECIFICATIONS

			CUL	VDE
負載電壓	Rated Voltage	Bemessungsspannung	AC 300V	
負載電流	Rated Current	Bemessungsstrom	16A	
電線線徑	Wire Size	Leitergrößen	26~14AWG	
塑膠本體	Housing Material	Isolierstofftyp	Polyamide66(UL94V-0)	
押線圈	Cage Clamp	Klemmkörper	Brass, Ni plated	
端子	Terminal	Stiftmaterial	Brass, Tin plated	
螺絲	Screw Size	Schraubengewinde	M3.0, steel, Zinc plated	
操作溫度	Operating Temperature	Umgebungstemperatur	-40°C to + 105°C	
扭力	Torque	Anzugsmoment	4.5 lb-inch	
PC板孔徑	PCB Hole Diameter	Lochdurchmesser	φ 1.3mm	
UL File No.	E167040			

TABLE

Item No.	A(mm)	A(inch)
MB622-50802	10.2	0.400
MB622-50803	15.2	0.600
MB622-50804	20.3	0.800
MB622-50805	25.4	1.000
MB622-50806	30.5	1.200
MB622-50807	35.6	1.400
MB622-50808	40.6	1.600
MB622-50809	45.7	1.800
MB622-50810	50.8	2.000
MB622-50811	55.9	2.200
MB622-50812	61.0	2.400
MB622-50813	66.0	2.600
MB622-50814	71.1	2.800
MB622-50815	76.2	3.000
MB622-50816	81.3	3.200



PCB Layout

Note:
Screw Plating: Changes are available upon request

MB 632-500

Single mold



B-51

Pitch: 5.00mm(0.197inch)

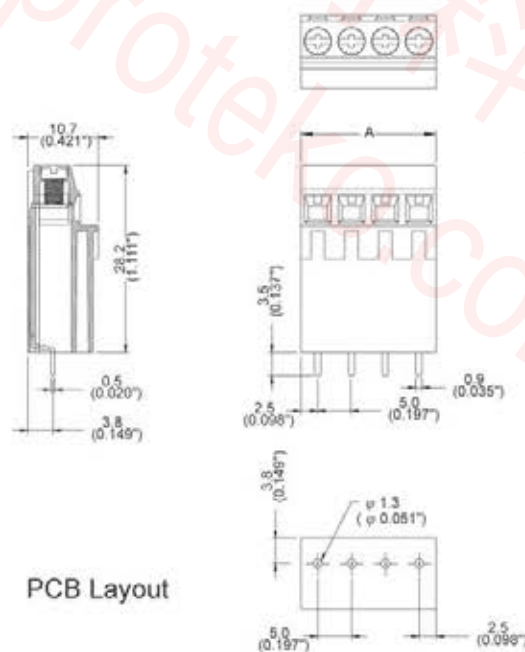


SPECIFICATIONS

			CUL	VDE
負載電壓	Rated Voltage	Bemessungsspannung	AC 300V	
負載電流	Rated Current	Bemessungsstrom	16A	
電線線徑	Wire Size	Leitergrößen	26~14AWG	
塑膠本體	Housing Material	Isolierstofftyp	Polyamide66(UL94V-0)	
押線圈	Cage Clamp	Klemmkörper	Brass, Ni plated	
端子	Terminal	Stiftmaterial	Brass, Tin plated	
螺絲	Screw Size	Schraubengewinde	M3.0, steel, Zinc plated	
操作溫度	Operating Temperature	Umgebungstemperatur	-40°C to + 105°C	
扭力	Torque	Anzugsmoment	4.5 lb-inch	
PC板孔徑	PCB Hole Diameter	Lochdurchmesser	φ 1.3mm	
UL File No.	E167040			

TABLE

Item No.	A(mm)	A(inch)
MB632-50002	10.0	0.394
MB632-50003	15.0	0.591
MB632-50004	20.0	0.787
MB632-50005	25.0	0.984
MB632-50006	30.0	1.181
MB632-50007	35.0	1.378
MB632-50008	40.0	1.575
MB632-50009	45.0	1.772
MB632-50010	50.0	1.969
MB632-50011	65.0	2.165
MB632-50012	60.0	2.362
MB632-50013	65.0	2.559
MB632-50014	70.0	2.765
MB632-50015	75.0	2.953
MB632-50016	80.0	3.150



PCB Layout

Note:
Screw Plating: Changes are available upon request

MB 632-508



Pitch: 5.08mm(0.200inch)

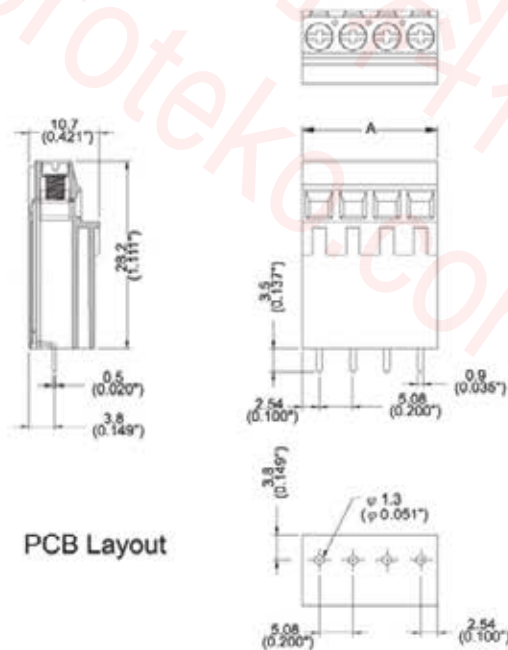


SPECIFICATIONS

			CUL	VDE
負載電壓	Rated Voltage	Bemessungsspannung	AC 300V	
負載電流	Rated Current	Bemessungsstrom	16A	
電線線徑	Wire Size	Leitergrößen	26~14AWG	
塑膠本體	Housing Material	Isolierstofftyp	Polyamide66(UL94V-0)	
押線圈	Cage Clamp	Klemmkörper	Brass, Ni plated	
端子	Terminal	Stiftmaterial	Brass, Tin plated	
螺絲	Screw Size	Schraubengewinde	M3.0, steel, Zinc plated	
操作溫度	Operating Temperature	Umgebungstemperatur	-40°C to + 105°C	
扭力	Torque	Anzugsmoment	4.5 lb-inch	
PC板孔徑	PCB Hole Diameter	Lochdurchmesser	φ 1.3mm	
UL File No.	E167040			

TABLE

Item No.	A(mm)	A(inch)
MB632-50802	10.2	0.400
MB632-50803	15.2	0.600
MB632-50804	20.3	0.800
MB632-50805	25.4	1.000
MB632-50806	30.5	1.200
MB632-50807	35.6	1.400
MB632-50808	40.6	1.600
MB632-50809	45.7	1.800
MB632-50810	50.8	2.000
MB632-50811	55.9	2.200
MB632-50812	61.0	2.400
MB632-50813	66.0	2.600
MB632-50814	71.1	2.800
MB632-50815	76.2	3.000
MB632-50816	81.3	3.200



PCB Layout

Note:
Screw Plating: Changes are available upon request

MB 642-500



Pitch: 5.00mm(0.197inch)

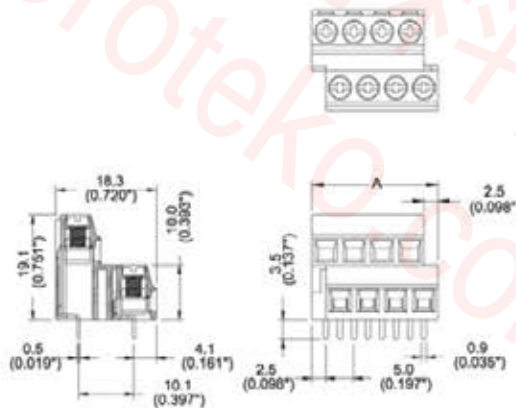


SPECIFICATIONS

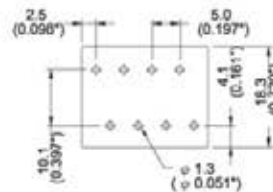
			CUL	VDE
負載電壓	Rated Voltage	Bemessungsspannung	AC 300V	
負載電流	Rated Current	Bemessungsstrom	16A	
電線線徑	Wire Size	Leitergrößen	26~14AWG	
塑膠本體	Housing Material	Isolierstofftyp	Polyamide66(UL94V-0)	
押線圈	Cage Clamp	Klemmkörper	Brass, Ni plated	
端子	Terminal	Stiftmaterial	Brass, Tin plated	
螺絲	Screw Size	Schraubengewinde	M3.0, steel, Zinc plated	
操作溫度	Operating Temperature	Umgebungstemperatur	-40°C to + 105°C	
扭力	Torque	Anzugsmoment	4.5 lb-inch	
PCB板孔徑	PCB Hole Diameter	Lochdurchmesser	φ 1.3mm	
UL File No.	E167040			

TABLE

Item No.	A(mm)	A(inch)
MB642-50004	12.5	0.492
MB642-50006	17.5	0.689
MB642-50008	22.5	0.886
MB642-50010	27.5	1.083
MB642-50012	32.5	1.280
MB642-50014	37.5	1.476
MB642-50016	42.5	1.673
MB642-50018	47.5	1.870
MB642-50020	52.5	2.067
MB642-50022	57.5	2.264
MB642-50024	62.5	2.461
MB642-50026	67.5	2.657
MB642-50028	72.5	2.854
MB642-50030	77.5	3.051
MB642-50032	82.5	3.248



PCB Layout



Note:
Screw Plating: Changes are available upon request

MB 642-508



Pitch: 5.08mm(0.200inch)

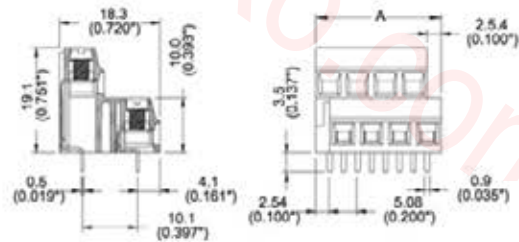
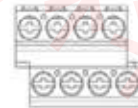


SPECIFICATIONS

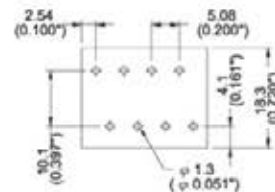
		CUL		VDE
負載電壓	Rated Voltage	Bemessungsspannung	AC 300V	
負載電流	Rated Current	Bemessungsstrom	16A	
電線線徑	Wire Size	Leitergrößen	26~14AWG	
塑膠本體	Housing Material	Isolierstofftyp	Polyamide66(UL94V-0)	
押線圈	Cage Clamp	Klemmkörper	Brass, Ni plated	
端子	Terminal	Stiftmaterial	Brass, Tin plated	
螺絲	Screw Size	Schraubengewinde	M3.0, steel, Zinc plated	
操作溫度	Operating Temperature	Umgebungstemperatur	-40°C to + 105°C	
扭力	Torque	Anzugsmoment	4.5 lb-inch	
PC板孔徑	PCB Hole Diameter	Lochdurchmesser	φ 1.3mm	
UL File No.	E167040			

TABLE

Item No.	A(mm)	A(inch)
MB642-50804	12.7	0.500
MB642-50806	17.8	0.700
MB642-50808	22.9	0.900
MB642-50810	27.9	1.100
MB642-50812	33.0	1.300
MB642-50814	38.1	1.500
MB642-50816	43.2	1.700
MB642-50818	48.3	1.900
MB642-50820	53.3	2.100
MB642-50822	58.4	2.300
MB642-50824	63.5	2.500
MB642-50826	68.6	2.700
MB642-50828	73.7	2.900
MB642-50830	78.7	3.100
MB642-50832	83.8	3.300



PCB Layout



Note:
Screw Plating: Changes are available upon request

MB 652-500



Pitch: 5.00mm(0.197inch)

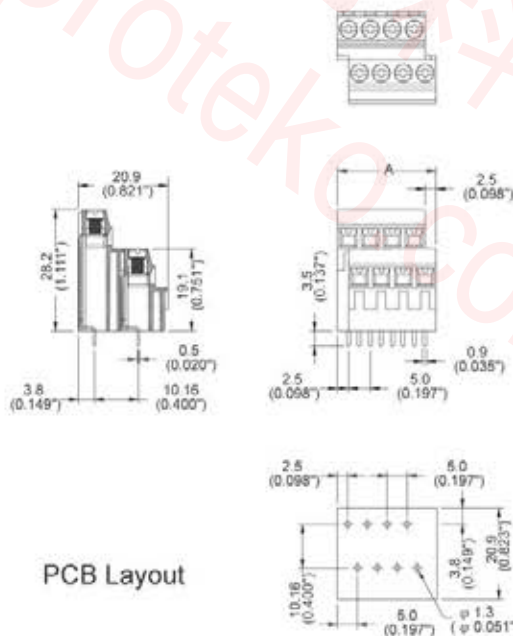


SPECIFICATIONS

			CUL	VDE
負載電壓	Rated Voltage	Bemessungsspannung	AC 300V	
負載電流	Rated Current	Bemessungsstrom	16A	
電線線徑	Wire Size	Leitergrößen	26~14AWG	
塑膠本體	Housing Material	Isolierstofftyp	Polyamide66(UL94V-0)	
押線圈	Cage Clamp	Klemmkörper	Brass, Ni plated	
端子	Terminal	Stiftmaterial	Brass, Tin plated	
螺絲	Screw Size	Schraubengewinde	M3.0, steel, Zinc plated	
操作溫度	Operating Temperature	Umgebungstemperatur	-40°C to + 105°C	
扭力	Torque	Anzugsmoment	4.5 lb-inch	
PC板孔徑	PCB Hole Diameter	Lochdurchmesser	φ 1.3mm	
UL File No.	E167040			

TABLE

Item No.	A(mm)	A(inch)
MB652-50004	12.5	0.492
MB652-50006	17.5	0.689
MB652-50008	22.5	0.886
MB652-50010	27.5	1.083
MB652-50012	32.5	1.280
MB652-50014	37.5	1.476
MB652-50016	42.5	1.673
MB652-50018	47.5	1.870
MB652-50020	52.5	2.067
MB652-50022	57.5	2.264
MB652-50024	62.5	2.461
MB652-50026	67.5	2.657
MB652-50028	72.5	2.854
MB652-50030	77.5	3.051
MB652-50032	82.5	3.248



PCB Layout

Note:
Screw Plating: Changes are available upon request

MB 652-508



Pitch: 5.08mm(0.200inch)

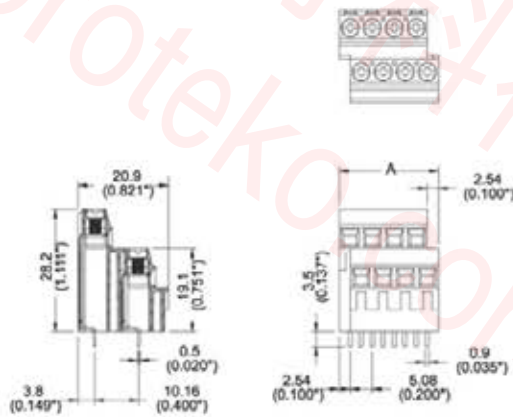


SPECIFICATIONS

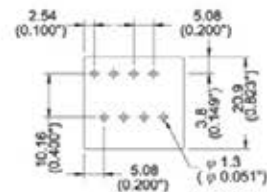
		CUL		VDE	
負載電壓	Rated Voltage	Bemessungsspannung	AC 300V		
負載電流	Rated Current	Bemessungsstrom	16A		
電線線徑	Wire Size	Leitergrößen	26~14AWG		
塑膠本體	Housing Material	Isolierstofftyp	Polyamide66(UL94V-0)		
押線圈	Cage Clamp	Klemmkörper	Brass, Ni plated		
端子	Terminal	Stiftmaterial	Brass, Tin plated		
螺絲	Screw Size	Schraubengewinde	M3.0, steel, Zinc plated		
操作溫度	Operating Temperature	Umgebungstemperatur	-40°C to + 105°C		
扭力	Torque	Anzugsmoment	4.5 lb-inch		
PC板孔徑	PCB Hole Diameter	Lochdurchmesser	φ 1.3mm		
UL File No.	E167040				

TABLE

Item No.	A(mm)	A(inch)
MB652-50804	12.7	0.500
MB652-50806	17.8	0.700
MB652-50808	22.9	0.900
MB652-50810	27.9	1.100
MB652-50812	33.0	1.300
MB652-50814	38.1	1.500
MB652-50816	43.2	1.700
MB652-50818	48.3	1.900
MB652-50820	53.3	2.100
MB652-50822	58.4	2.300
MB652-50824	63.5	2.500
MB652-50826	68.6	2.700
MB652-50828	73.7	2.900
MB652-50830	78.7	3.100
MB652-50832	83.8	3.300



PCB Layout



Note:
Screw Plating: Changes are available upon request

MB 662-500



Pitch: 5.00mm(0.197inch)

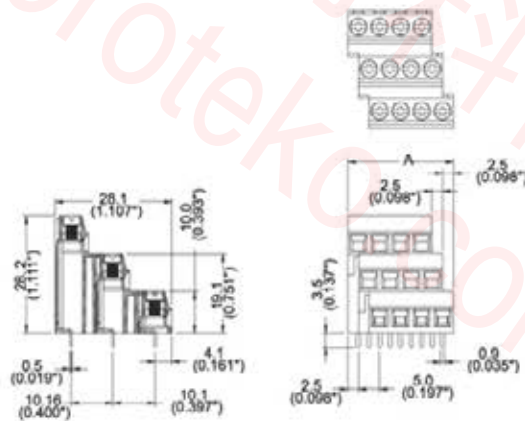


SPECIFICATIONS

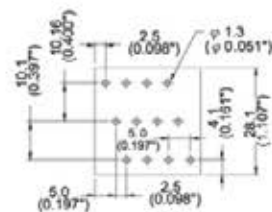
			CUL	VDE
負載電壓	Rated Voltage	Bemessungsspannung	AC 300V	
負載電流	Rated Current	Bemessungsstrom	16A	
電線線徑	Wire Size	Leitergrößen	26~14AWG	
塑膠本體	Housing Material	Isolierstofftyp	Polyamide66(UL94V-0)	
押線圈	Cage Clamp	Klemmkörper	Brass, Ni plated	
端子	Terminal	Stiftmaterial	Brass, Tin plated	
螺絲	Screw Size	Schraubengewinde	M3.0, steel, Zinc plated	
操作溫度	Operating Temperature	Umgebungstemperatur	-40°C to + 105°C	
扭力	Torque	Anzugsmoment	4.5 lb-inch	
PC板孔徑	PCB Hole Diameter	Lochdurchmesser	φ 1.3mm	
UL File No.	E167040			

TABLE

Item No.	A(mm)	A(inch)
MB662-50006	15.0	0.591
MB662-50009	20.0	0.787
MB662-50012	25.0	0.984
MB662-50015	30.0	1.181
MB662-50018	35.0	1.378
MB662-50021	40.0	1.575
MB662-50024	45.0	1.772
MB662-50027	50.0	1.969
MB662-50030	55.0	2.165
MB662-50033	60.0	2.362
MB662-50036	65.0	2.559
MB662-50039	70.0	2.756
MB662-50042	75.0	2.953
MB662-50045	80.0	3.150
MB662-50048	85.0	3.346
MB662-50051	90.0	3.543
MB662-50054	95.0	3.740
MB662-50057	100.0	3.937
MB662-50060	105.0	4.134
MB662-50063	110.0	4.331
MB662-50066	115.0	4.528
MB662-50069	120.0	4.724
MB662-50072	125.0	4.921



PCB Layout



Note:
Screw Plating: Changes are available upon request

MB 662-508



Pitch: 5.08mm(0.200inch)

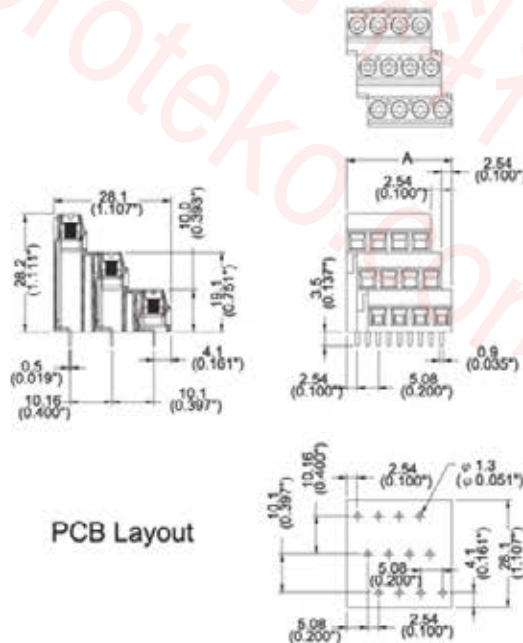


SPECIFICATIONS

		CUL		VDE	
負載電壓	Rated Voltage	Bemessungsspannung	AC 300V		
負載電流	Rated Current	Bemessungsstrom	16A		
電線線徑	Wire Size	Leitergrößen	26~14AWG		
塑膠本體	Housing Material	Isolierstofftyp	Polyamide66(UL94V-0)		
押線圈	Cage Clamp	Klemmkörper	Brass, Ni plated		
端子	Terminal	Stiftmaterial	Brass, Tin plated		
螺絲	Screw Size	Schraubengewinde	M3.0, steel, Zinc plated		
操作溫度	Operating Temperature	Umgebungstemperatur	-40°C to + 105°C		
扭力	Torque	Anzugsmoment	4.5 lb-inch		
PC板孔徑	PCB Hole Diameter	Lochdurchmesser	φ 1.3mm		
UL File No.	E167040				

TABLE

Item No.	A(mm)	A(inch)
MB662-50806	15.2	0.600
MB662-50809	20.3	0.800
MB662-50812	25.4	1.000
MB662-50815	30.5	1.200
MB662-50818	35.6	1.400
MB662-50821	40.6	1.600
MB662-50824	45.7	1.800
MB662-50827	50.8	2.000
MB662-50830	55.9	2.200
MB662-50833	61.0	2.400
MB662-50836	66.0	2.600
MB662-50839	71.1	2.800
MB662-50842	76.2	3.000
MB662-50045	81.3	3.200
MB662-50048	86.4	3.400
MB662-50051	91.4	3.600
MB662-50054	96.5	3.800
MB662-50057	101.6	4.000
MB662-50060	106.7	4.200
MB662-50063	111.8	4.400
MB662-50066	116.8	4.600
MB662-50069	121.9	4.800
MB662-50072	127.0	5.000



PCB Layout

Note:
Screw Plating: Changes are available upon request

MB 910-635M..L Modular



Pitch: 6.35mm(0.250inch)

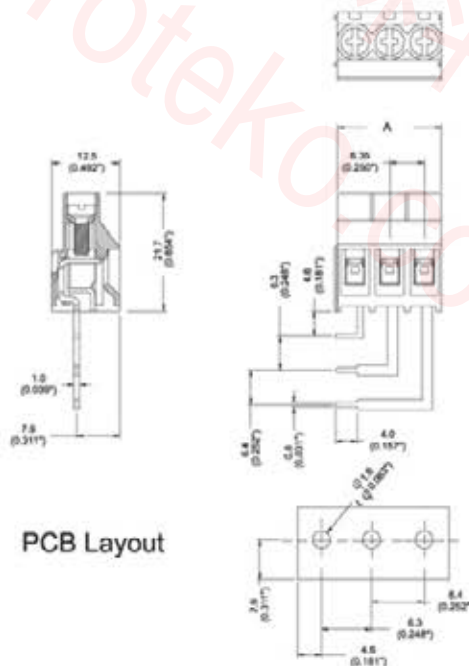


SPECIFICATIONS

		CUL		VDE
負載電壓	Rated Voltage	Bemessungsspannung	AC 300V	
負載電流	Rated Current	Bemessungsstrom	30A	
電線線徑	Wire Size	Leitergrößen	24~10AWG	0.2~6mm ²
塑膠本體	Housing Material	Isolierstofftyp	Polyamide66(UL94V-0)	
押線圈	Cage Clamp	Klemmkörper	Steel, Ni plated	
端子	Terminal	Stiftmaterial	Brass, Tin plated	
螺絲	Screw Size	Schraubengewinde	M3.0, steel, Zinc plated	
操作溫度	Operating Temperature	Umgebungstemperatur	-40°C to + 105°C	
扭力	Torque	Anzugsmoment	9.0 lb-inch	
PC板孔徑	PCB Hole Diameter	Lochdurchmesser	φ 1.6mm	
UL File No.	E167040			

TABLE

Item No.	A(mm)	A(inch)
MB910-635M02L	12.7	0.500
MB910-635M03L	19.1	0.750

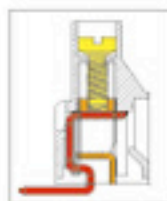


PCB Layout

Note:
Screw Plating: Changes are available upon request

Pitch: 6.35mm(0.250inch)

- **Description:**
- Pitch : 6.35mm (0.250inch)

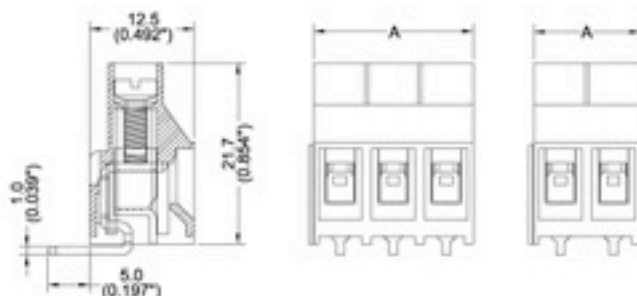
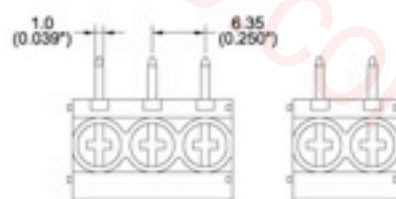


SPECIFICATIONS

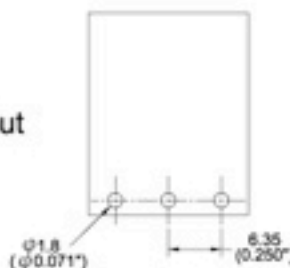
			CUL
負載電壓	Rated Voltage	Bemessungsspannung	AC 300V
負載電流	Rated Current	Bemessungsstrom	30A
電線線徑	Wire Size	Leitergrößen	24~10AWG
塑膠本體	Housing Material	Isolierstofftyp	Polyamide66(UL94V-0)
押線圈	Cage Clamp	Klemmkörper	Steel, Ni plated
端子	Terminal	Stiftmaterial	Brass, Tin plated
螺絲	Screw Size	Schraubengewinde	M3.0, steel, Zinc plated
操作溫度	Operating Temperature	Umgebungstemperatur	-40°C to + 105°C
扭力	Torque	Anzugsmoment	5.5lb-inch
PC板孔徑	PCB Hole Diameter	Lochdurchmesser	φ 1.8mm
UL File No.	E167040		

TABLE

Item No.	A(mm)	A(inch)
MB910-635M02W	12.70	0.500
MB910-635M03W	19.05	0.750

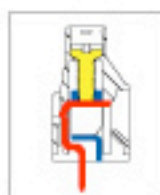


PCB Layout



Pitch: 6.35mm(0.250inch)

- **Description:**
- Pitch : 6.35mm (0.250inch)

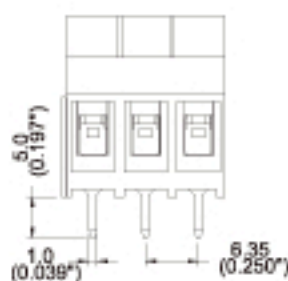
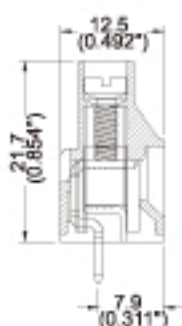
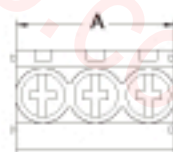



SPECIFICATIONS

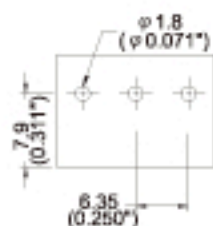
			CUL
負載電壓	Rated Voltage	Bemessungsspannung	AC 300V
負載電流	Rated Current	Bemessungsstrom	30A
電線線徑	Wire Size	Leitergrößen	24~10AWG
塑膠本體	Housing Material	Isolierstofftyp	Polyamide66(UL94V-0)
押線圈	Cage Clamp	Klemmkörper	Steel, Ni plated
端子	Terminal	Stiftmaterial	Brass, Tin plated
螺絲	Screw Size	Schraubengewinde	M3.0, steel, Zinc plated
操作溫度	Operating Temperature	Umgebungstemperatur	-40°C to + 105°C
扭力	Torque	Anzugsmoment	5.5lb-inch
PC板孔徑	PCB Hole Diameter	Lochdurchmesser	φ 1.8mm
UL File No.	E167040		

TABLE

Item No.	A(mm)	A(inch)
MB910-635M02	12.7	0.500
MB910-635M03	19.1	0.750



PCB Layout



MB 910-952M Modular



Pitch: 9.52mm(0.375inch)

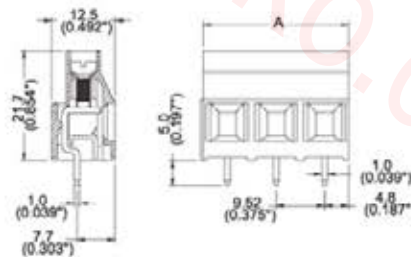


SPECIFICATIONS

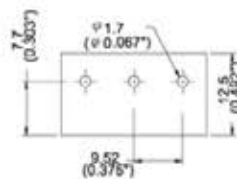
			CUL	VDE
負載電壓	Rated Voltage	Bemessungsspannung	AC 600V	AC 600V
負載電流	Rated Current	Bemessungsstrom	30A	25A
電線線徑	Wire Size	Leitergrößen	24~10AWG	0.5~6mm ²
塑膠本體	Housing Material	Isolierstofftyp	Polyamide66(UL94V-0)	
押線圈	Cage Clamp	Klemmkörper	Steel, Ni plated	
端子	Terminal	Stiftmaterial	Brass, Tin plated	
螺絲	Screw Size	Schraubengewinde	M3.0, steel, Ni plated	
操作溫度	Operating Temperature	Umgebungstemperatur	-40°C to + 105°C	
扭力	Torque	Anzugsmoment	9.0 lb-inch	
PC板孔徑	PCB Hole Diameter	Lochdurchmesser	φ 1.7mm	
UL File No.	E167040			

TABLE

Item No.	A(mm)	A(inch)
MB910-952M02	19.0	0.750
MB910-952M03	28.6	1.124



PCB Layout



Note:
Screw Plating: Changes are available upon request
Cage Clamp: MB912: Brass

MB 912-750M Modular



Pitch: 7.50mm(0.295inch)

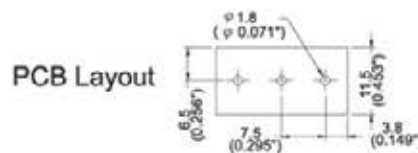
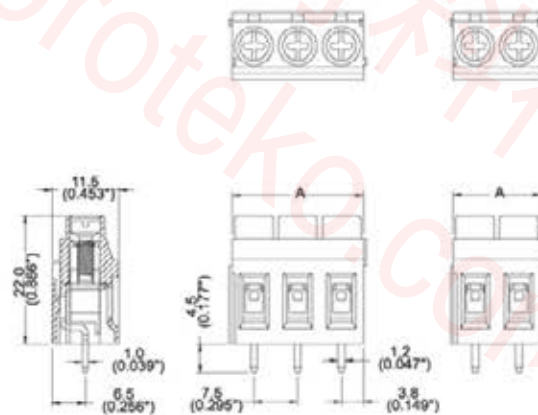


SPECIFICATIONS

		CUL		VDE
負載電壓	Rated Voltage	Bemessungsspannung	AC 300V	
負載電流	Rated Current	Bemessungsstrom	30A	
電線線徑	Wire Size	Leitergrößen	24~10AWG	
塑膠本體	Housing Material	Isolierstofftyp	Polyamide66(UL94V-0)	
押線圈	Cage Clamp	Klemmkörper	Steel, Ni plated	
端子	Terminal	Stiftmaterial	Brass, Tin plated	
螺絲	Screw Size	Schraubengewinde	M3.5, steel, Ni plated	
操作溫度	Operating Temperature	Umgebungstemperatur	-40°C to + 105°C	
扭力	Torque	Anzugsmoment	5.5 lb-inch	
PC板孔徑	PCB Hole Diameter	Lochdurchmesser	φ 1.8mm	
UL File No.	E167040			

TABLE

Item No.	A(mm)	A(inch)
MB912-750M02	15.0	0.591
MB912-750M03	22.5	0.886



Note:
Screw Plating: Changes are available upon request
Cage Clamp: MB910: Steel

MB 920-952M Modular



Pitch: 9.52mm(0.375inch)

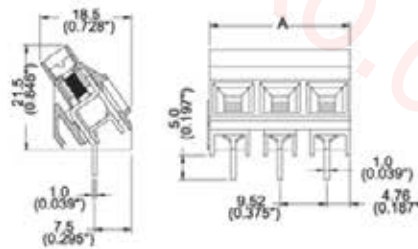


SPECIFICATIONS

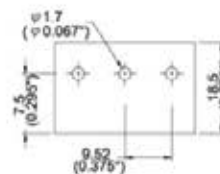
			CUL	VDE
負載電壓	Rated Voltage	Bemessungsspannung	AC 600V	AC 600V
負載電流	Rated Current	Bemessungsstrom	30A	25A
電線線徑	Wire Size	Leitergrößen	24~10AWG	0.5~6mm ²
塑膠本體	Housing Material	Isolierstofftyp	Polyamide66(UL94V-0)	
押線圈	Cage Clamp	Klemmkörper	Steel, Ni plated	
端子	Terminal	Stiftmaterial	Brass, Tin plated	
螺絲	Screw Size	Schraubengewinde	M3.0, steel, Ni plated	
操作溫度	Operating Temperature	Umgebungstemperatur	-40°C to + 105°C	
扭力	Torque	Anzugsmoment	9.0 lb-inch	
PC板孔徑	PCB Hole Diameter	Lochdurchmesser	φ 1.7mm	
UL File No.	E167040			

TABLE

Item No.	A(mm)	A(inch)
MB920-952M02	19.0	0.750
MB920-952M03	28.6	1.124



PCB Layout



Note:
Screw Plating: Changes are available upon request
Cage Clamp: MB922: Brass