

Pitch: 10.16mm(0.400inch)

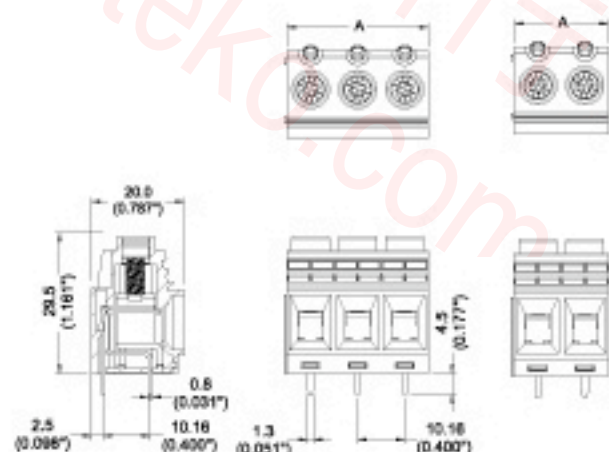
- **Description :**
- Pitch : 10.16mm(0.4inch)



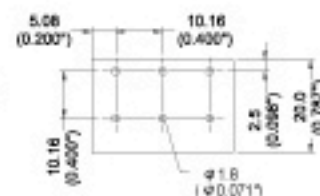
SPECIFICATIONS

負載電壓	Rated Voltage	Bemessungsspannung	
負載電流	Rated Current	Bemessungsstrom	
電線線徑	Wire Size	Leitergrößen	20~6AWG
塑膠本體	Housing Material	Isolierstofftyp	Polyamide66(UL94V-0)
押線圈	Cage Clamp	Klemmkörper	Steel, Zinc plated
端子	Terminal	Stiftmaterial	Copper, Tin plated
螺絲	Screw Size	Schraubengewinde	M4.0, Stainless
操作溫度	Operating Temperature	Umgebungstemperatur	-40°C to + 105°C
扭力	Torque	Anzugsmoment	20 lb-inch
PC板孔徑	PCB Hole Diameter	Lochdurchmesser	φ 1.8mm

Item No.	A(mm)	A(inch)
MH110-016M02	20.3	0.800
MH110-016M03	30.5	1.200



PCB Layout



Note:

Screw Plating: Changes are available upon request

Pitch: 10.16mm(0.400inch)

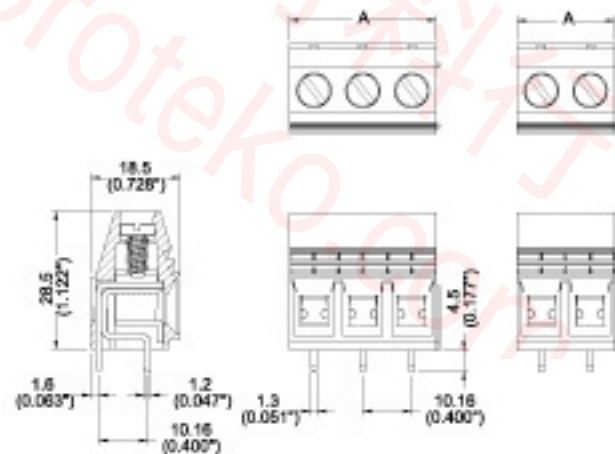
- **Description :**
- Pitch : 10.16mm(0.4inch)

CUL[®] US**SPECIFICATIONS**

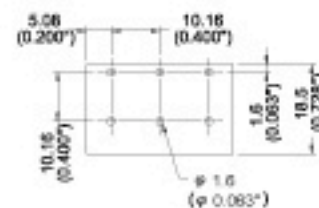
			CUL
負載電壓	Rated Voltage	Bemessungsspannung	AC 300V
負載電流	Rated Current	Bemessungsstrom	65A
電線線徑	Wire Size	Leitergrößen	26-6AWG
塑膠本體	Housing Material	Isolierstofftyp	Polyamide66(UL94V-0)
押線圈	Cage Clamp	Klemmkörper	Steel, Zinc plated
端子	Terminal	Stiftmaterial	Copper, Tin plated
螺絲	Screw Size	Schraubengewinde	M4.0, Steel, Zinc plated
操作溫度	Operating Temperature	Umgebungstemperatur	-40°C to + 105°C
扭力	Torque	Anzugsmoment	20.5 lb-inch
PC板孔徑	PCB Hole Diameter	Lochdurchmesser	φ 1.6mm
UL File No.	E167040		

TABLE

Item No.	A(mm)	A(inch)
MH120-016M02	20.3	0.800
MH120-016M03	30.5	1.200



PCB Layout



Note:

Screw Plating: Changes are available upon request

Pitch: 15.00mm(0.591inch)

- **Description :**
- Pitch : 15.00mm(0.591inch)

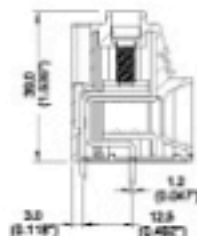


SPECIFICATIONS

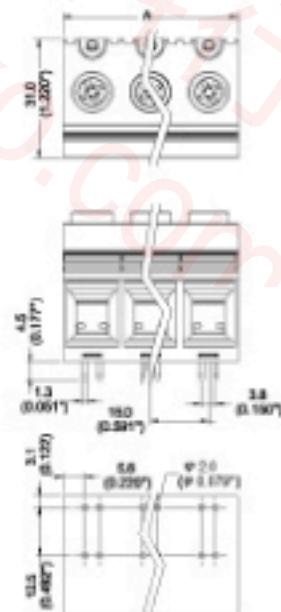
			CUL
負載電壓	Rated Voltage	Bemessungsspannung	AC 600V
負載電流	Rated Current	Bemessungsstrom	125A
電線線徑	Wire Size	Leitergrößen	20~1AWG
塑膠本體	Housing Material	Isolierstofftyp	Polyamide66(UL94V-0)
押線圈	Cage Clamp	Klemmkörper	Steel, Zinc plated
端子	Terminal	Stiftmaterial	Copper, Tin plated
螺絲	Screw Size	Schraubengewinde	M5.0, Steel, Zinc plated
操作溫度	Operating Temperature	Umgebungstemperatur	-40°C to + 105°C
扭力	Torque	Anzugsmoment	30 lb-inch
PC板孔徑	PCB Hole Diameter	Lochdurchmesser	∅ 2.0mm

TABLE

Item No.	A(mm)	A(inch)
MH130-15002	30.0	1.181
MH130-15003	45.0	1.772
MH130-15004	60.0	2.362
MH130-15005	75.0	2.953
MH130-15006	90.0	3.543
MH130-15007	105.0	4.134
MH130-15008	125.0	4.724



PCB Layout



Note:

Screw Plating: Changes are available upon request