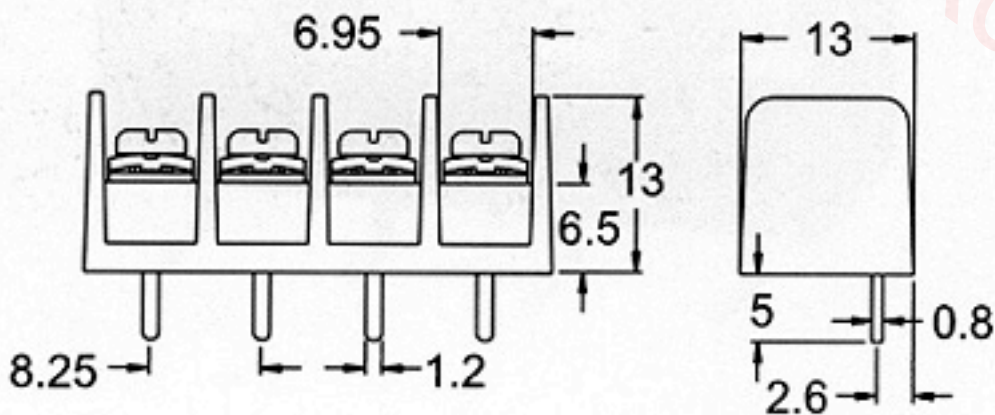
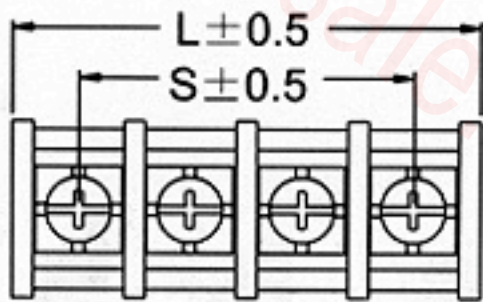
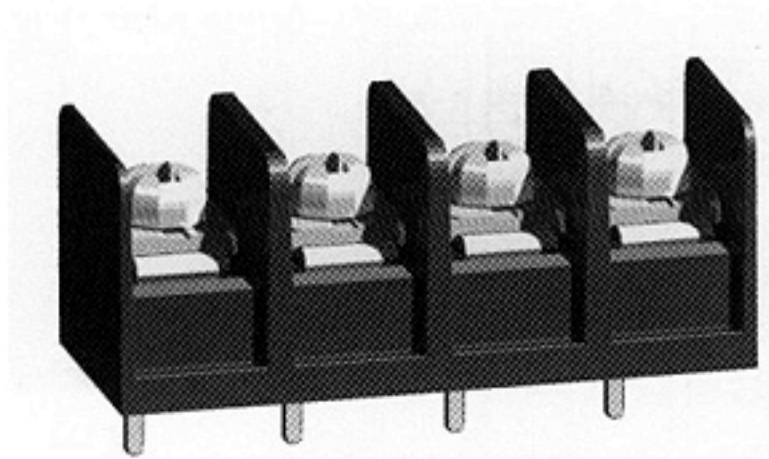


- **Specification**

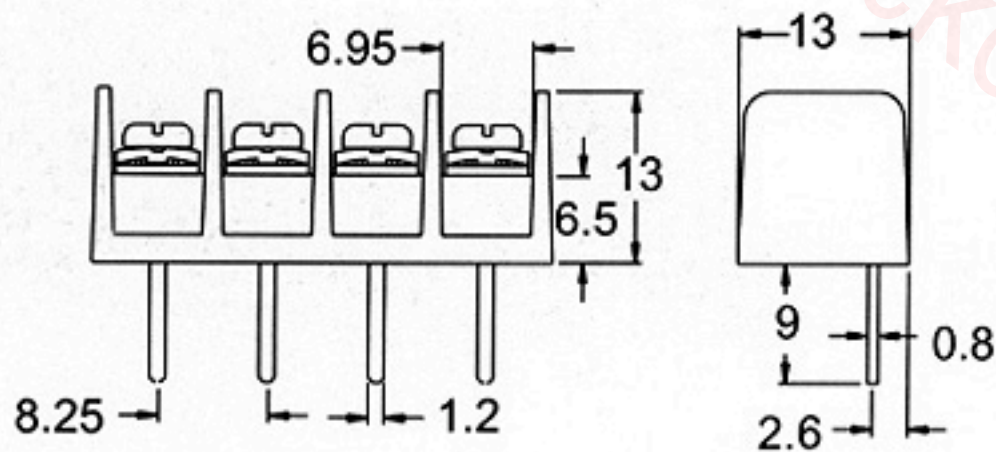
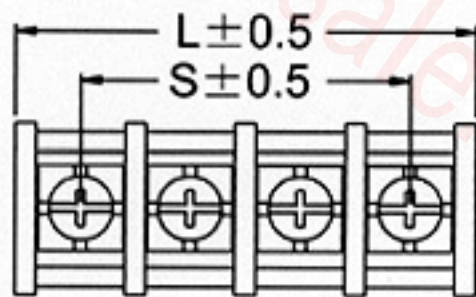
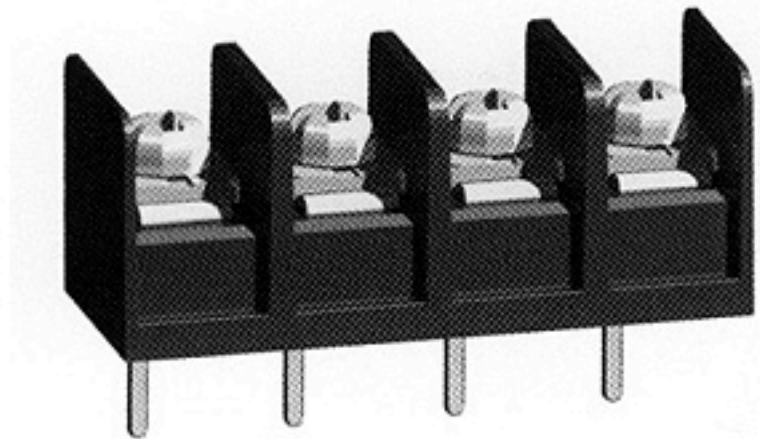
- .325" PCB Barrier Terminal Blocks
- Terminal style : S11
- Pitch : 8.25 mm



Poles	2	3	4	5	6	7	8	9	10	11	12	13	14	15	16
L(mm)	18.2	26.4	34.7	42.9	51.2	59.4	67.7	75.9	84.2	92.4	101	109	117	125	134
S(mm)	8.25	16.5	24.8	33.0	41.3	49.5	57.8	66.0	74.3	82.5	90.8	99.0	107	116	124
Poles	17	18	19	20	21	22	23	24	25	26	27	28	29	30	
L(mm)	142	150	158	167	175	183	191	200	208	216	224	233	241	249	
S(mm)	132	140	149	157	165	173	182	190	198	206	215	223	231	239	

- **Specification**

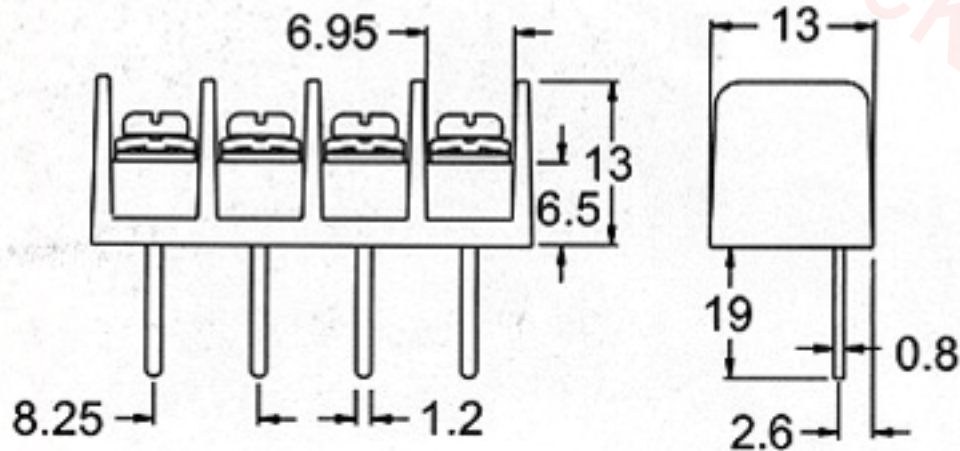
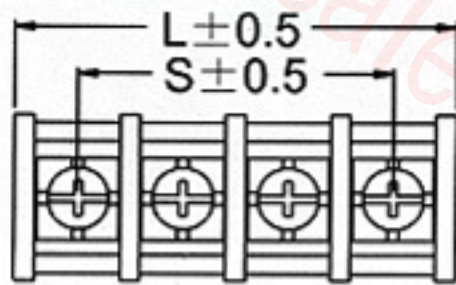
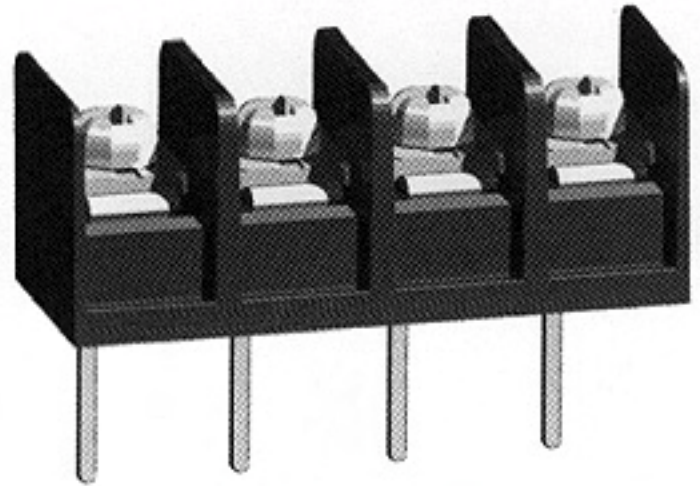
- .325" PCB Barrier Terminal Blocks
- Terminal style : S12
- Pitch : 8.25 mm



Poles	2	3	4	5	6	7	8	9	10	11	12	13	14	15	16
L(mm)	18.2	26.4	34.7	42.9	51.2	59.4	67.7	75.9	84.2	92.4	101	109	117	125	134
S(mm)	8.25	16.5	24.8	33.0	41.3	49.5	57.8	66.0	74.3	82.5	90.8	99.0	107	116	124
Poles	17	18	19	20	21	22	23	24	25	26	27	28	29	30	
L(mm)	142	150	158	167	175	183	191	200	208	216	224	233	241	249	
S(mm)	132	140	149	157	165	173	182	190	198	206	215	223	231	239	

- **Sepecification**

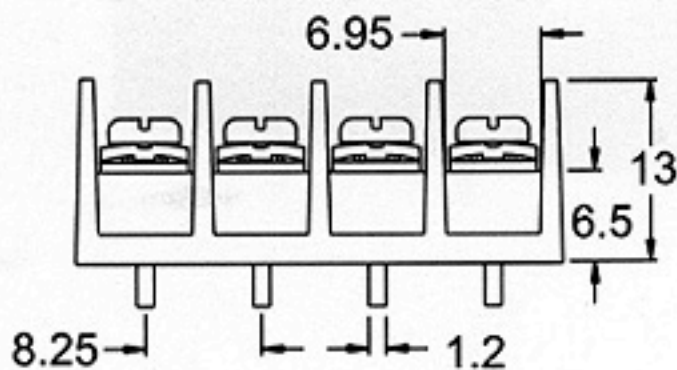
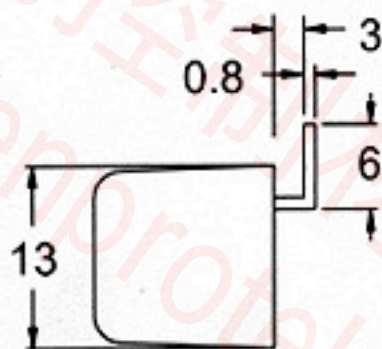
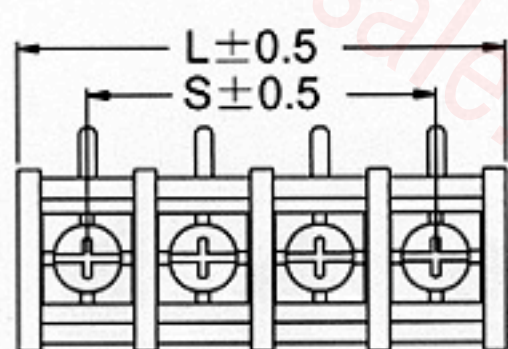
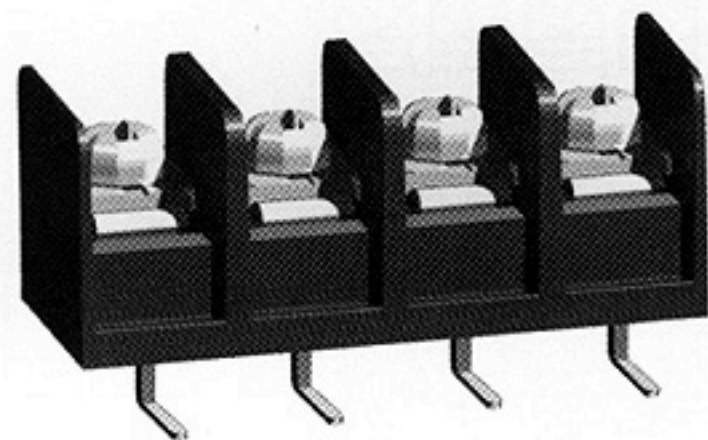
- .325" PCB Barrier Terminal Blocks
- Terminal style : S14
- Pitch : 8.25 mm



Poles	2	3	4	5	6	7	8	9	10	11	12	13	14	15	16
L(mm)	18.2	26.4	34.7	42.9	51.2	59.4	67.7	75.9	84.2	92.4	101	109	117	125	134
S(mm)	8.25	16.5	24.8	33.0	41.3	49.5	57.8	66.0	74.3	82.5	90.8	99.0	107	116	124
Poles	17	18	19	20	21	22	23	24	25	26	27	28	29	30	
L(mm)	142	150	158	167	175	183	191	200	208	216	224	233	241	249	
S(mm)	132	140	149	157	165	173	182	190	198	206	215	223	231	239	

- **Specification**

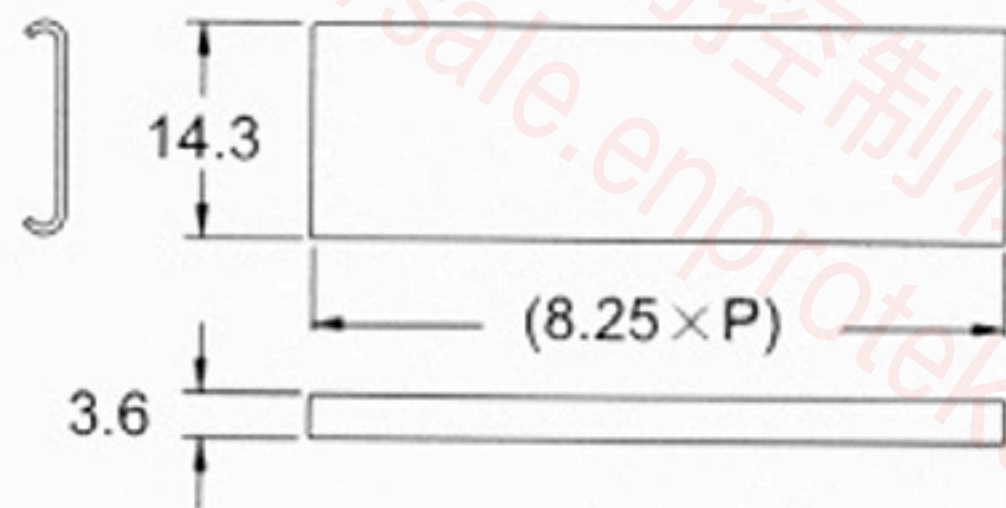
- .325" PCB Barrier Terminal Blocks
- Terminal style : W12
- Pitch : 8.25 mm



Poles	2	3	4	5	6	7	8	9	10	11	12	13	14	15	16
L(mm)	18.2	26.4	34.7	42.9	51.2	59.4	67.7	75.9	84.2	92.4	101	109	117	125	134
S(mm)	8.25	16.5	24.8	33.0	41.3	49.5	57.8	66.0	74.3	82.5	90.8	99.0	107	116	124
Poles	17	18	19	20	21	22	23	24	25	26	27	28	29	30	
L(mm)	142	150	158	167	175	183	191	200	208	216	224	233	241	249	
S(mm)	132	140	149	157	165	173	182	190	198	206	215	223	231	239	

- **Specification**

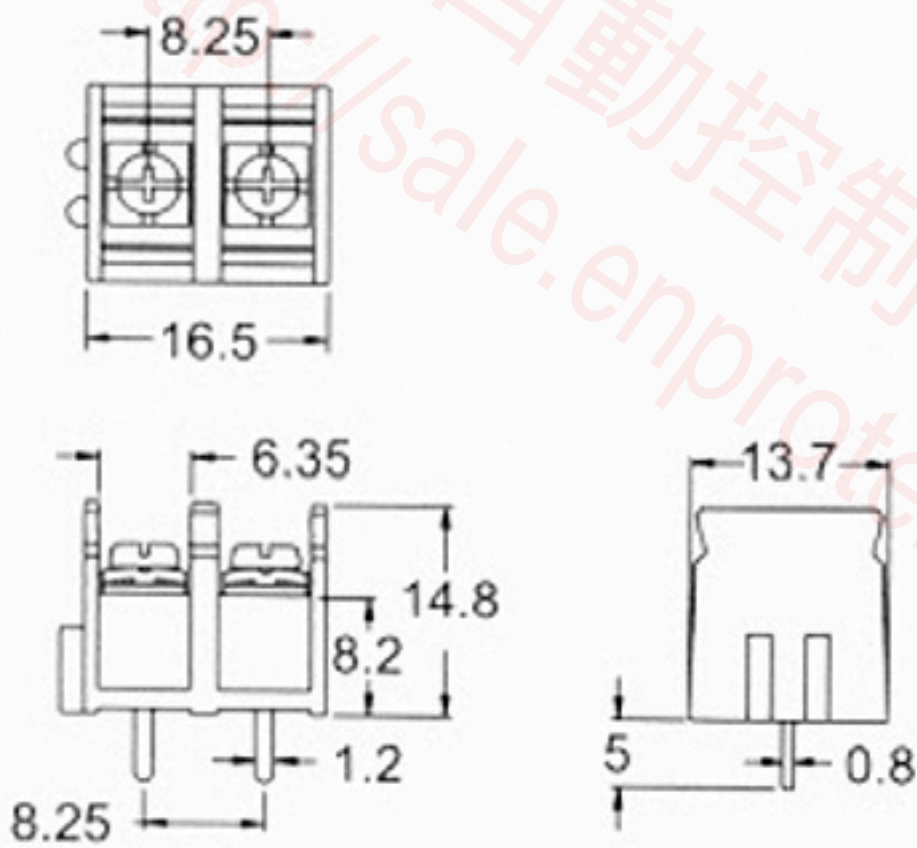
- .325" PCB Barrier Terminal Blocks
- Pitch : 8.25 mm



T33MBM11-02		2 pole modular
T33MBM11-03		3 pole modular
T33M-L01		mounting hole (left)
T33M-R01		mounting hole (right)
BC33M-□□		clear cover

- **Specification**

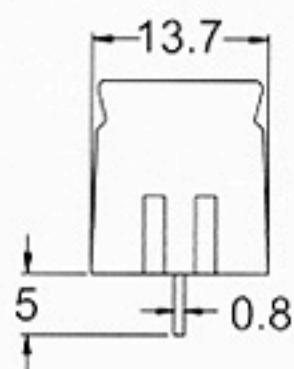
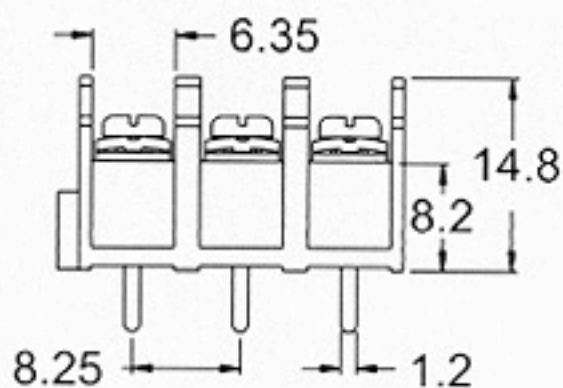
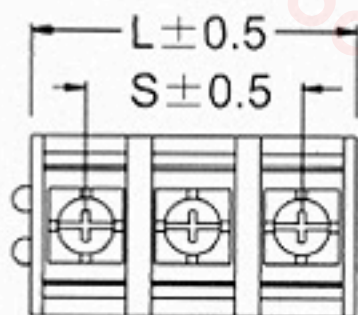
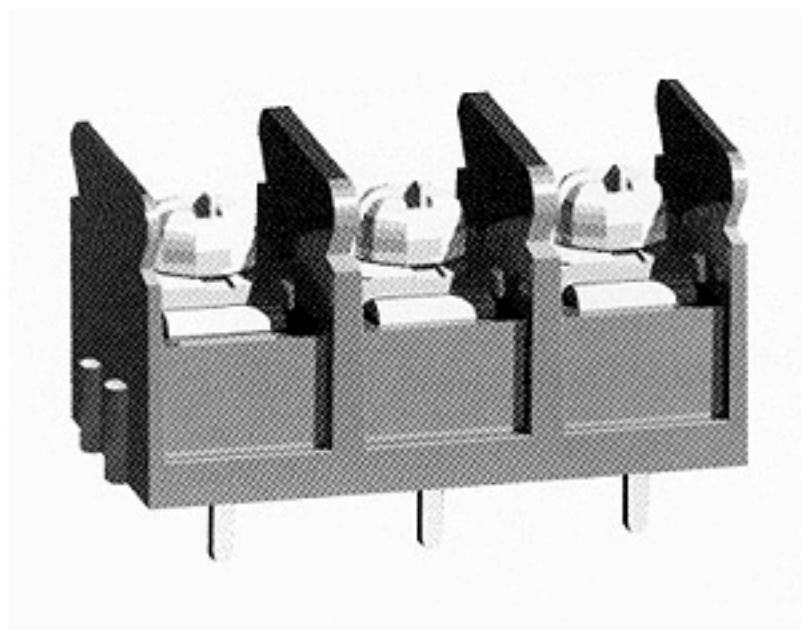
- .325" PCB Barrier Terminal Blocks
- Pitch : 8.25 mm



T33MBM11-02		2 pole modular
T33MBM11-03		3 pole modular
T33M-L01		mounting hole (left)
T33M-R01		mounting hole (right)
BC33M-□□		clear cover

- **Specification**

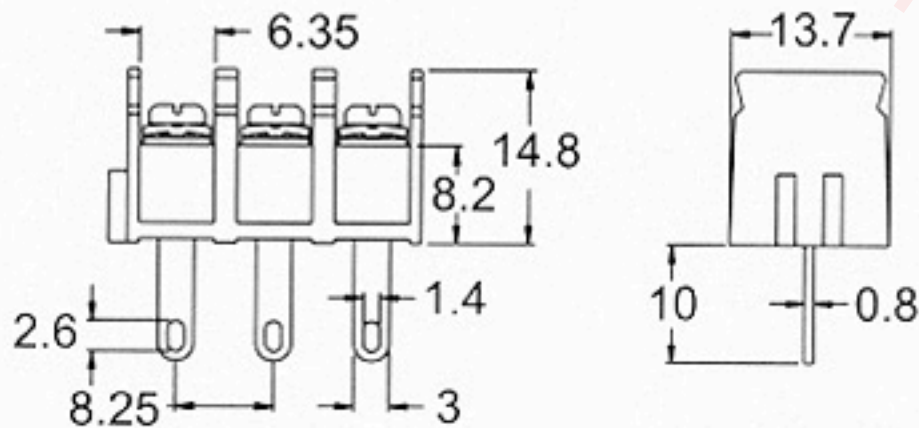
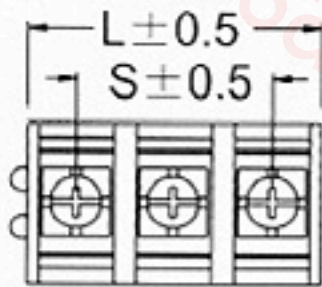
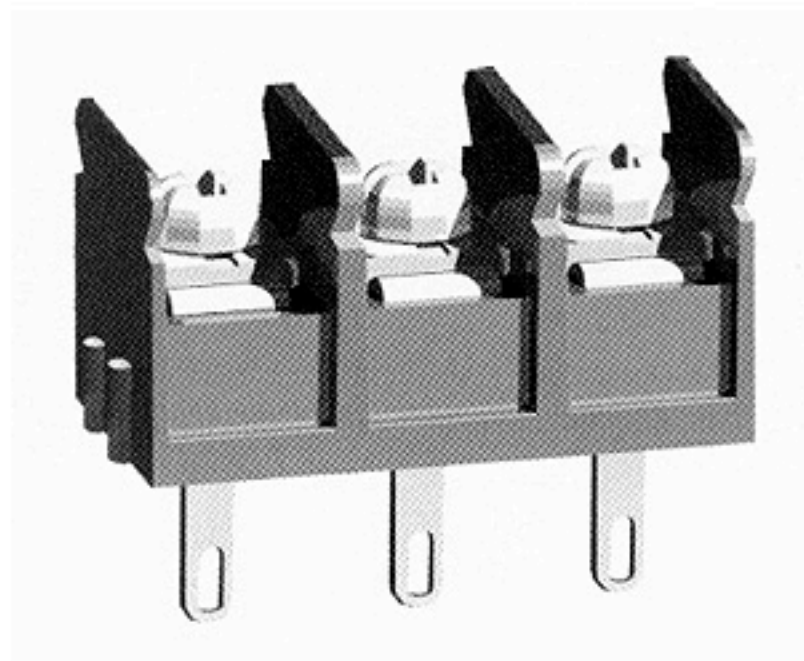
- .325" PCB Barrier Terminal Blocks
- Terminal style : M11
- Pitch : 8.25 mm



Poles	2	3	4	5	6	7	8	9	10	11	12	13	14	15	16
L(mm)	16.5	24.8	33.0	41.3	49.5	57.8	66.0	74.3	82.5	90.8	99.0	107	116	124	132
S(mm)	8.25	16.5	24.8	33.0	41.3	49.5	57.8	66.0	74.3	82.5	90.8	99.0	107	116	124
Poles	17	18	19	20	21	22	23	24	25	26	27	28	29	30	
L(mm)	140	149	157	165	173	182	190	198	206	215	223	231	239	250	
S(mm)	132	140	149	157	165	173	182	190	198	206	215	223	231	239	

- **Specification**

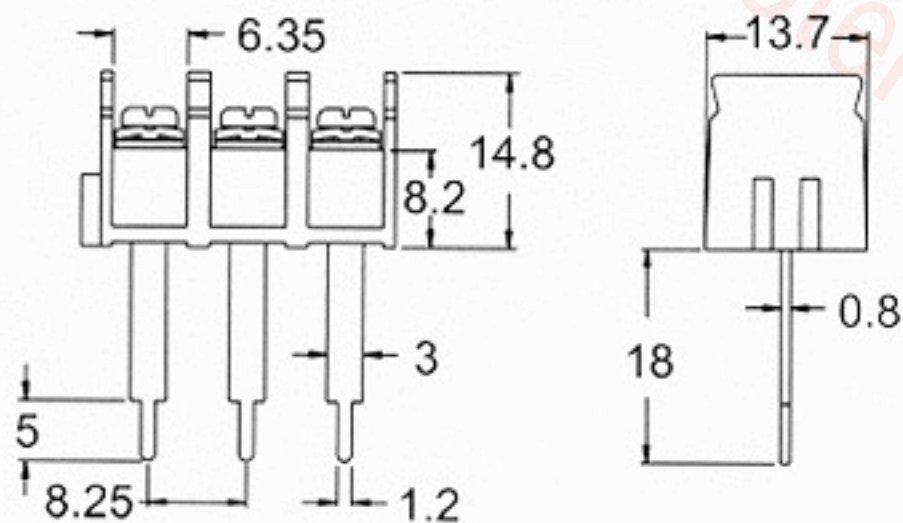
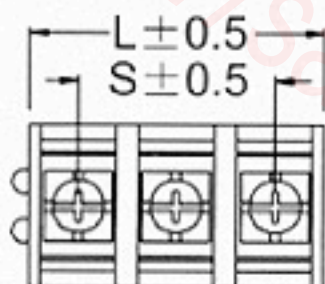
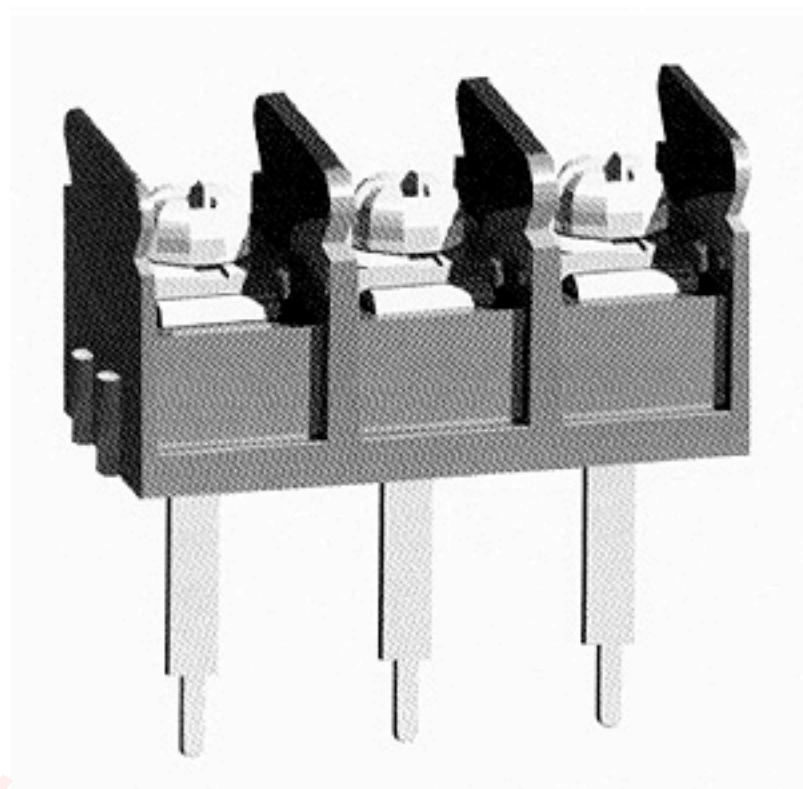
- .325" PCB Barrier Terminal Blocks
- Terminal style : M21
- Pitch : 8.25 mm



Poles	2	3	4	5	6	7	8	9	10	11	12	13	14	15	16
L(mm)	16.5	24.8	33.0	41.3	49.5	57.8	66.0	74.3	82.5	90.8	99.0	107	116	124	132
S(mm)	8.25	16.5	24.8	33.0	41.3	49.5	57.8	66.0	74.3	82.5	90.8	99.0	107	116	124
Poles	17	18	19	20	21	22	23	24	25	26	27	28	29	30	
L(mm)	140	149	157	165	173	182	190	198	206	215	223	231	239	250	
S(mm)	132	140	149	157	165	173	182	190	198	206	215	223	231	239	

- **Specification**

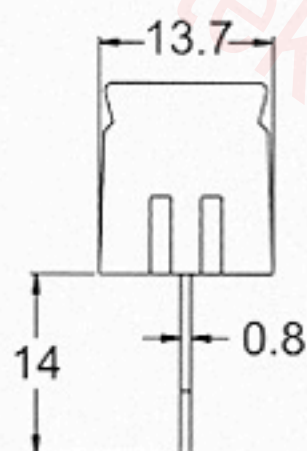
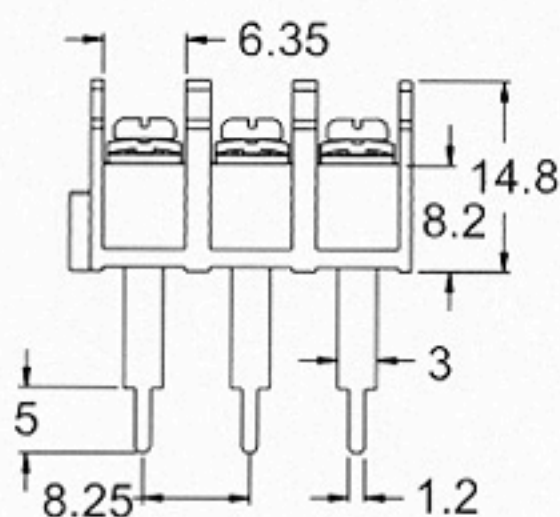
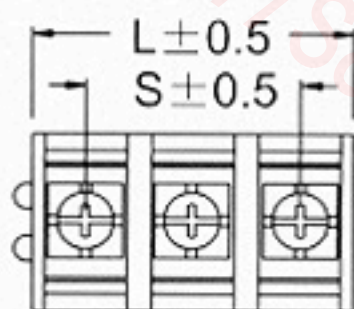
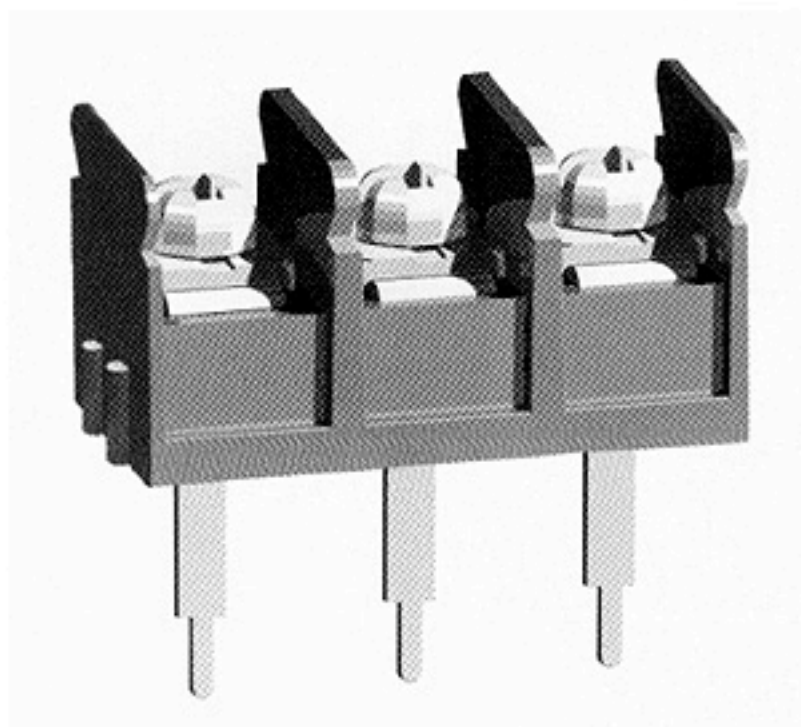
- .325" PCB Barrier Terminal Blocks
- Terminal style : M32
- Pitch : 8.25 mm



Poles	2	3	4	5	6	7	8	9	10	11	12	13	14	15	16
L(mm)	16.5	24.8	33.0	41.3	49.5	57.8	66.0	74.3	82.5	90.8	99.0	107	116	124	132
S(mm)	8.25	16.5	24.8	33.0	41.3	49.5	57.8	66.0	74.3	82.5	90.8	99.0	107	116	124
Poles	17	18	19	20	21	22	23	24	25	26	27	28	29	30	
L(mm)	140	149	157	165	173	182	190	198	206	215	223	231	239	250	
S(mm)	132	140	149	157	165	173	182	190	198	206	215	223	231	239	

- **Specification**

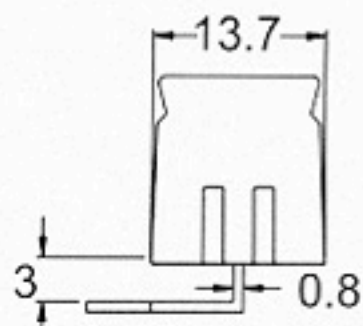
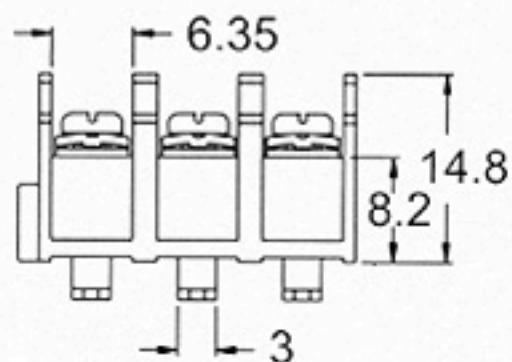
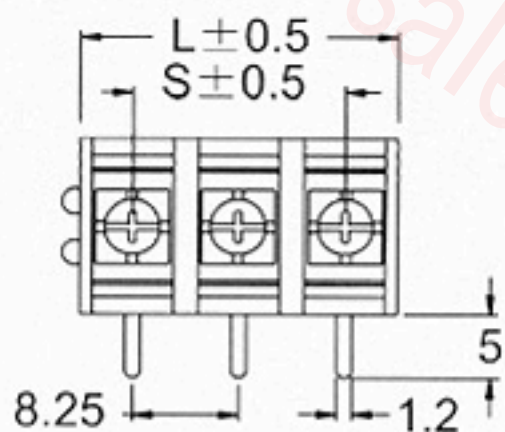
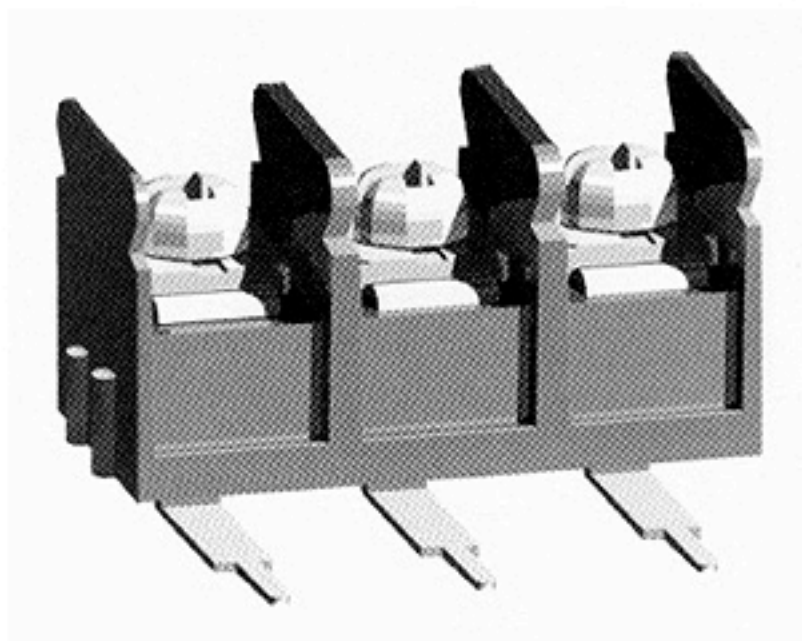
- .325" PCB Barrier Terminal Blocks
- Terminal style : M11
- Pitch : 8.25 mm



Poles	2	3	4	5	6	7	8	9	10	11	12	13	14	15	16
L(mm)	16.5	24.8	33.0	41.3	49.5	57.8	66.0	74.3	82.5	90.8	99.0	107	116	124	132
S(mm)	8.25	16.5	24.8	33.0	41.3	49.5	57.8	66.0	74.3	82.5	90.8	99.0	107	116	124
Poles	17	18	19	20	21	22	23	24	25	26	27	28	29	30	
L(mm)	140	149	157	165	173	182	190	198	206	215	223	231	239	250	
S(mm)	132	140	149	157	165	173	182	190	198	206	215	223	231	239	

- **Specification**

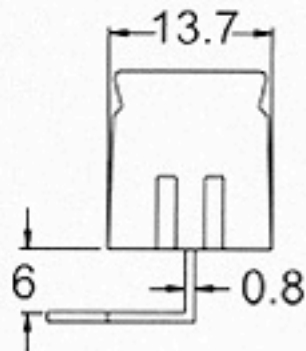
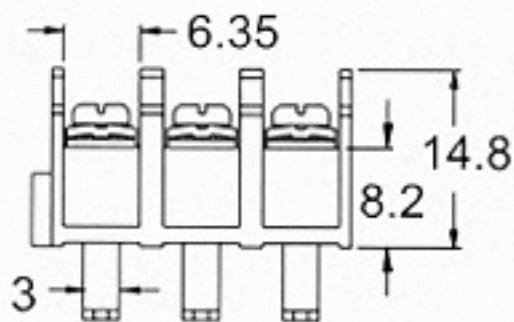
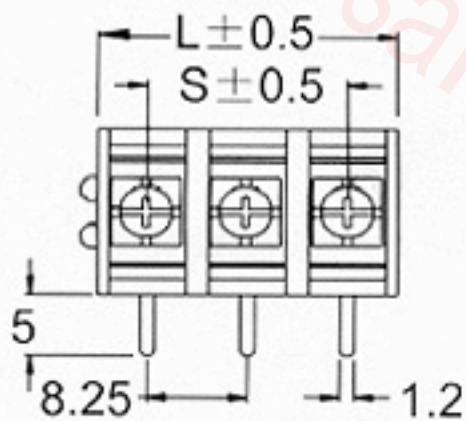
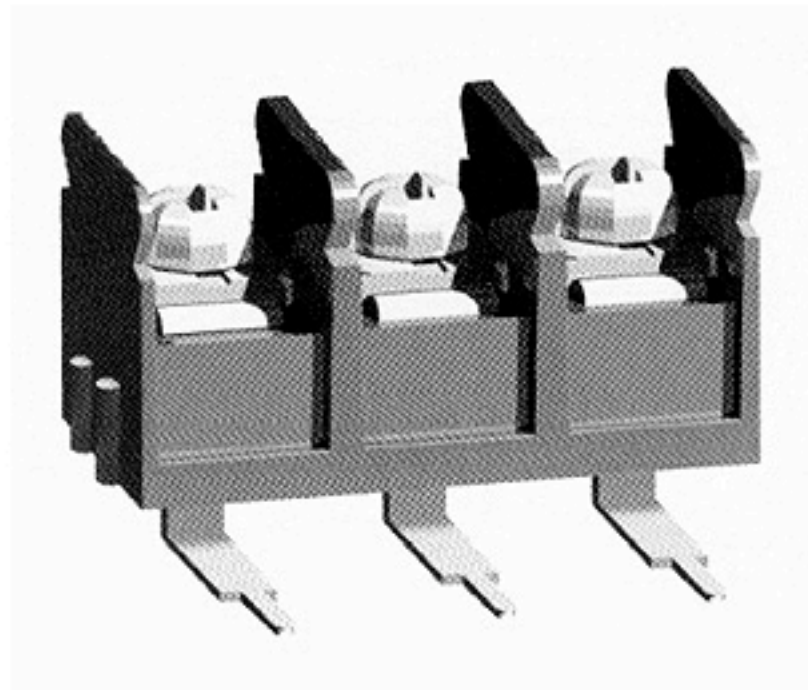
- .325" PCB Barrier Terminal Blocks
- Terminal style : O31
- Pitch : 8.25 mm



Poles	2	3	4	5	6	7	8	9	10	11	12	13	14	15	16
L(mm)	16.5	24.8	33.0	41.3	49.5	57.8	66.0	74.3	82.5	90.8	99.0	107	116	124	132
S(mm)	8.25	16.5	24.8	33.0	41.3	49.5	57.8	66.0	74.3	82.5	90.8	99.0	107	116	124
Poles	17	18	19	20	21	22	23	24	25	26	27	28	29	30	
L(mm)	140	149	157	165	173	182	190	198	206	215	223	231	239	250	
S(mm)	132	140	149	157	165	173	182	190	198	206	215	223	231	239	

- **Specification**

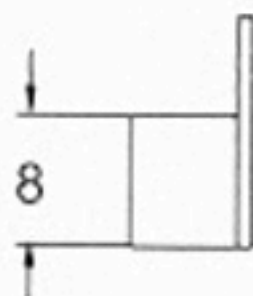
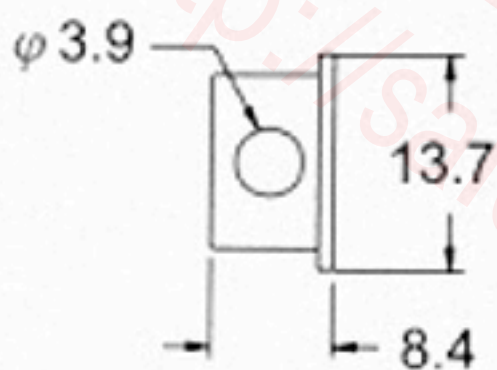
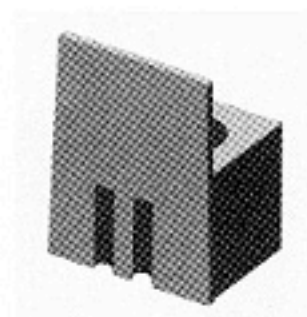
- .325" PCB Barrier Terminal Blocks
- Terminal style : O32
- Pitch : 8.25 mm



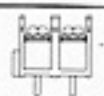
Poles	2	3	4	5	6	7	8	9	10	11	12	13	14	15	16
L(mm)	16.5	24.8	33.0	41.3	49.5	57.8	66.0	74.3	82.5	90.8	99.0	107	116	124	132
S(mm)	8.25	16.5	24.8	33.0	41.3	49.5	57.8	66.0	74.3	82.5	90.6	99.0	107	116	124
Poles	17	18	19	20	21	22	23	24	25	26	27	28	29	30	
L(mm)	140	149	157	165	173	182	190	198	206	215	223	231	239	250	
S(mm)	132	140	149	157	165	173	182	190	198	206	215	223	231	239	

- **Specification**

- .325" PCB Barrier Terminal Blocks
- Pitch : 8.25 mm

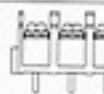


T33MBM11-02



2 pole modular

T33MBM11-03



3 pole modular

T33M-L01



mounting hole (left)

T33M-R01



mounting hole (right)

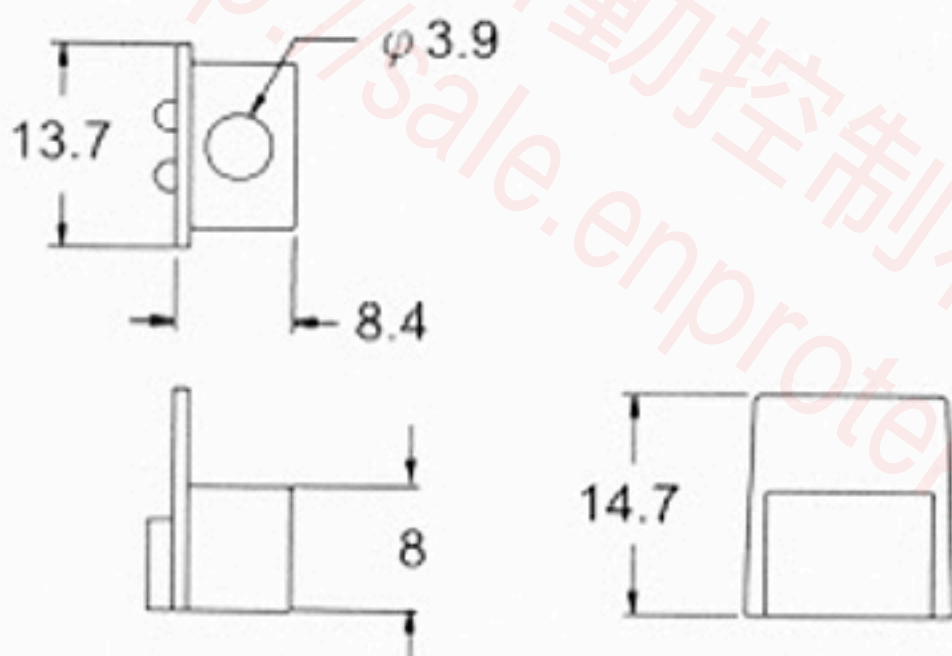
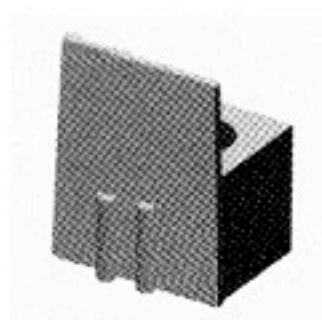
BC33M-□□



clear cover

- **Specification**

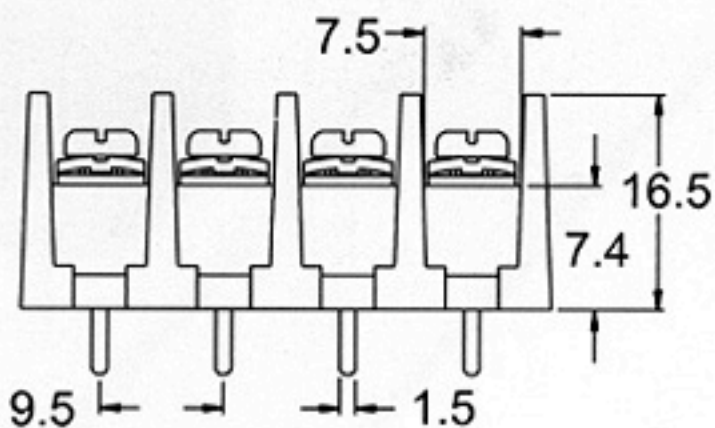
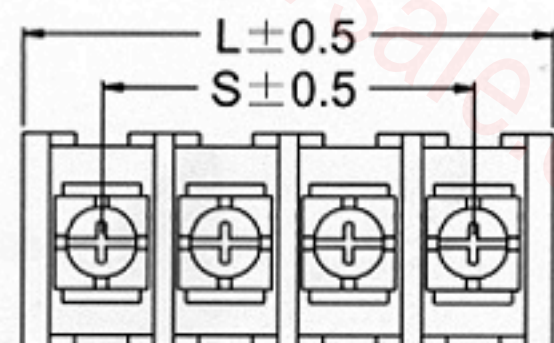
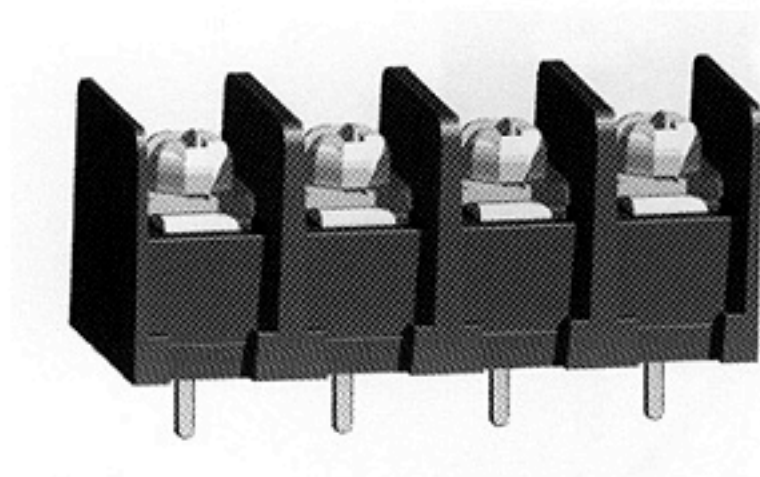
- .325" PCB Barrier Terminal Blocks
- Pitch : 8.25 mm



T33MBM11-02		2 pole modular
T33MBM11-03		3 pole modular
T33M-L01		mounting hole (left)
T33M-R01		mounting hole (right)
BC33M-□□		clear cover

- **Sepecification**

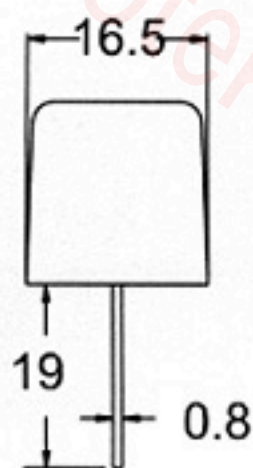
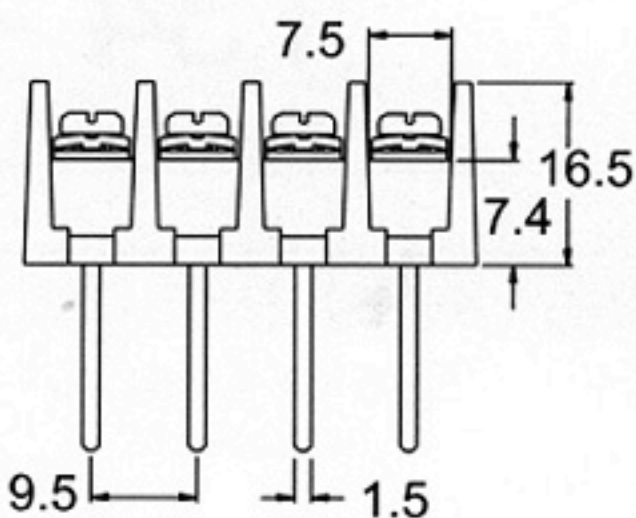
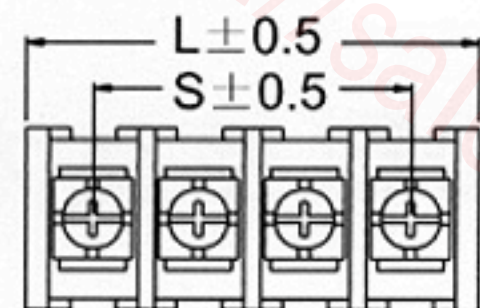
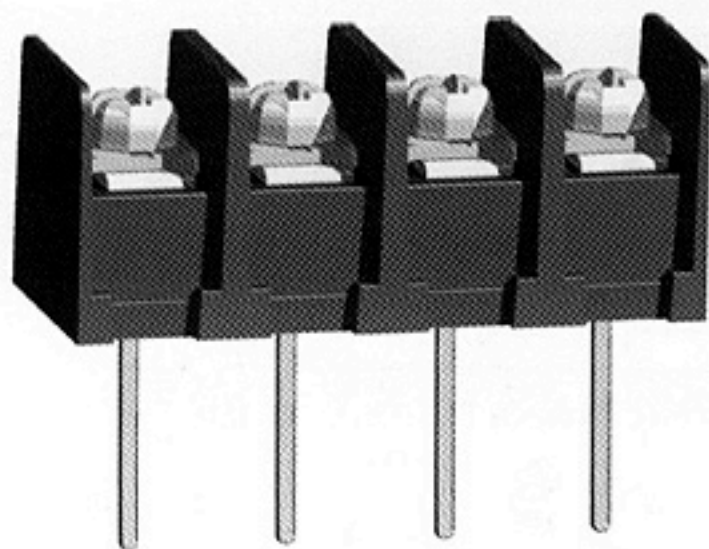
- .374" PCB Barrier Terminal Blocks
- Terminal style : M11
- Pitch : 9.50 mm



Poles	2	3	4	5	6	7	8	9	10	11	12	13	14	15	16
L(mm)	21.5	31.0	40.5	50.0	59.5	69.0	78.5	88.0	97.5	107	117	126	136	145	155
S(mm)	9.50	19.0	28.5	38.0	47.5	57.0	66.5	76.0	85.5	95.0	105	114	124	133	143
Poles	17	18	19	20	21	22	23	24	25	26	27	28	29	30	
L(mm)	164	174	183	193	202	212	221	231	240	250	259	269	278	288	
S(mm)	152	162	171	181	190	200	209	219	228	238	247	257	266	276	

- **Specification**

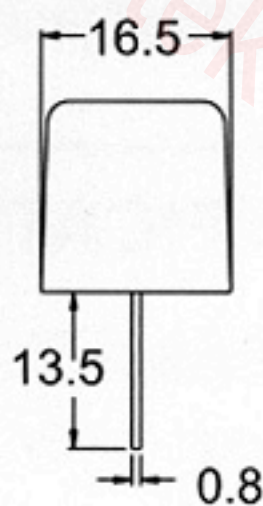
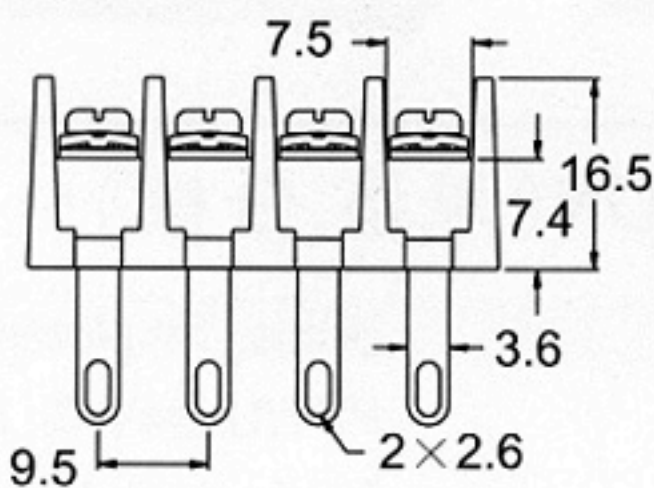
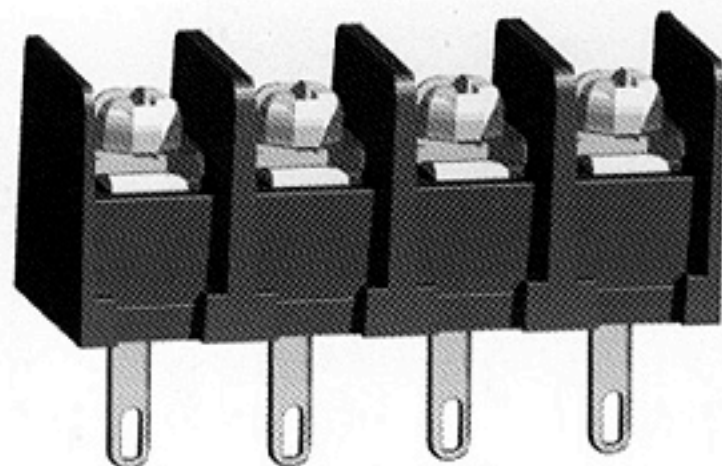
- .374" PCB Barrier Terminal Blocks
- Terminal style : M14
- Pitch : 9.50 mm



Poles	2	3	4	5	6	7	8	9	10	11	12	13	14	15	16
L(mm)	21.5	31.0	40.5	50.0	59.5	69.0	78.5	88.0	97.5	107	117	126	136	145	155
S(mm)	9.50	19.0	28.5	38.0	47.5	57.0	66.5	76.0	85.5	95.0	105	114	124	133	143
Poles	17	18	19	20	21	22	23	24	25	26	27	28	29	30	
L(mm)	164	174	183	193	202	212	221	231	240	250	259	269	278	288	
S(mm)	152	162	171	181	190	200	209	219	228	238	247	257	266	276	

- **Specification**

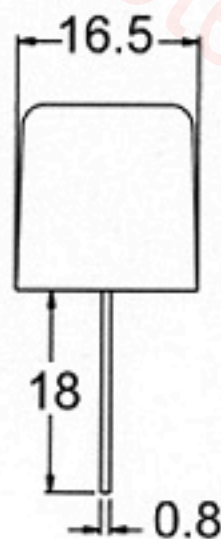
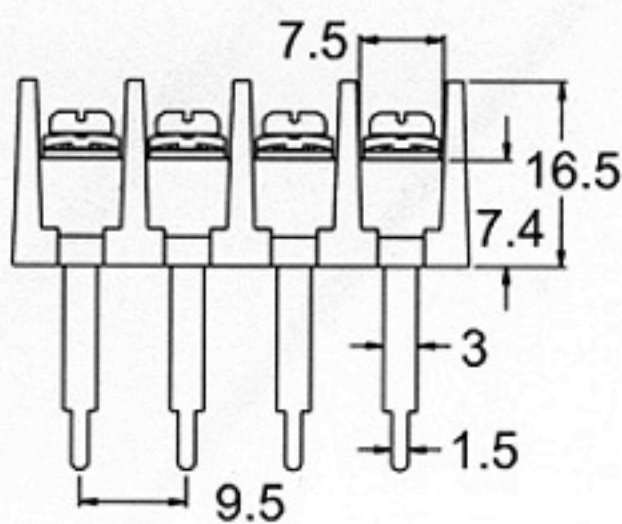
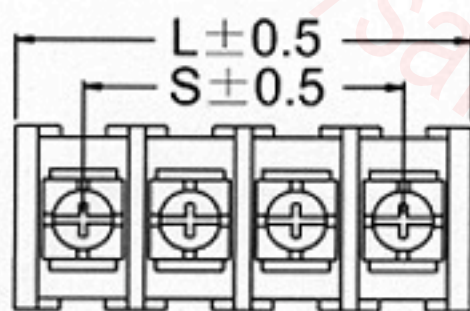
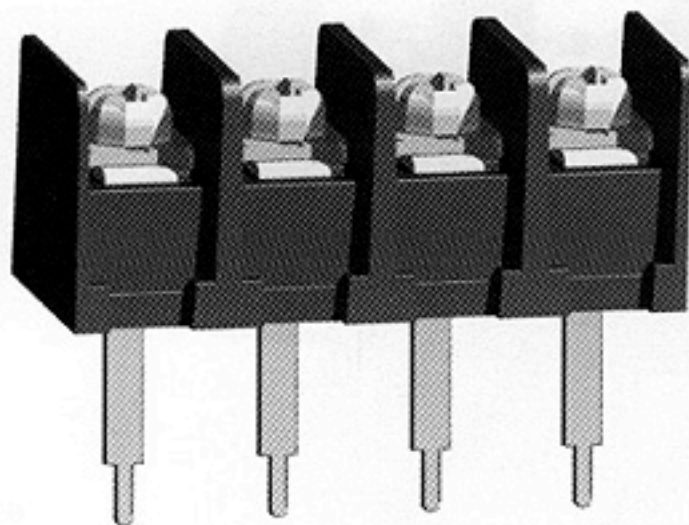
- .374" PCB Barrier Terminal Blocks
- Terminal style : M23
- Pitch : 9.50 mm



Poles	2	3	4	5	6	7	8	9	10	11	12	13	14	15	16
L(mm)	21.5	31.0	40.5	50.0	59.5	69.0	78.5	88.0	97.5	107	117	126	136	145	155
S(mm)	9.50	19.0	28.5	38.0	47.5	57.0	66.5	76.0	85.5	95.0	105	114	124	133	143
Poles	17	18	19	20	21	22	23	24	25	26	27	28	29	30	
L(mm)	164	174	183	193	202	212	221	231	240	250	259	269	278	288	
S(mm)	152	162	171	181	190	200	209	219	228	238	247	257	266	276	

- **Specification**

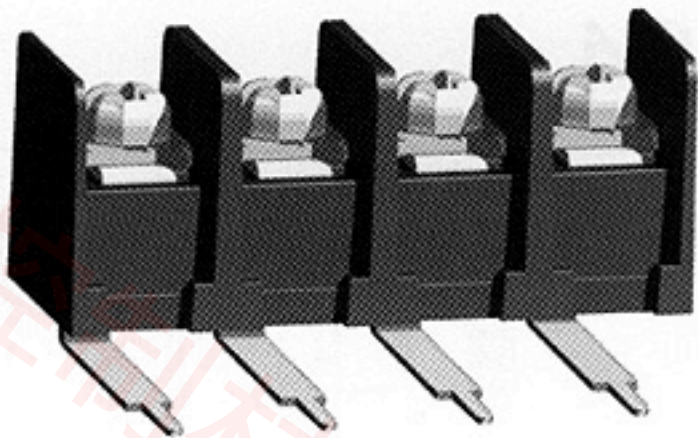
- .374" PCB Barrier Terminal Blocks
- Terminal style : M32
- Pitch : 9.50 mm



Poles	2	3	4	5	6	7	8	9	10	11	12	13	14	15	16
L(mm)	21.5	31.0	40.5	50.0	59.5	69.0	78.5	88.0	97.5	107	117	126	136	145	155
S(mm)	9.50	19.0	28.5	38.0	47.5	57.0	66.5	76.0	85.5	95.0	105	114	124	133	143
Poles	17	18	19	20	21	22	23	24	25	26	27	28	29	30	
L(mm)	164	174	183	193	202	212	221	231	240	250	259	269	278	288	
S(mm)	152	162	171	181	190	200	209	219	228	238	247	257	266	276	

- **Specification**

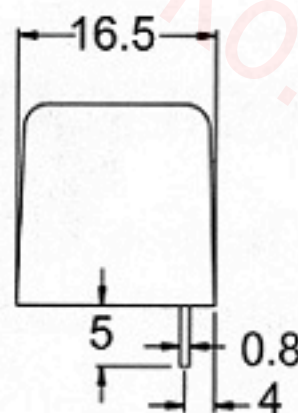
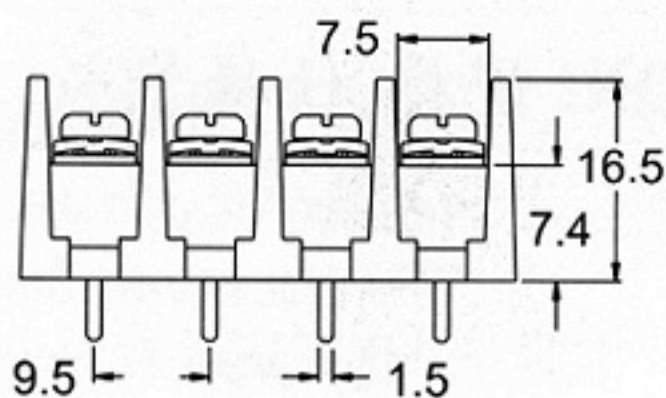
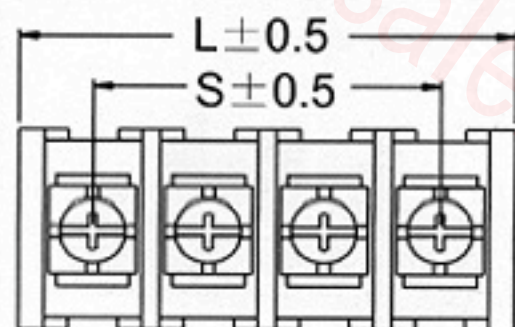
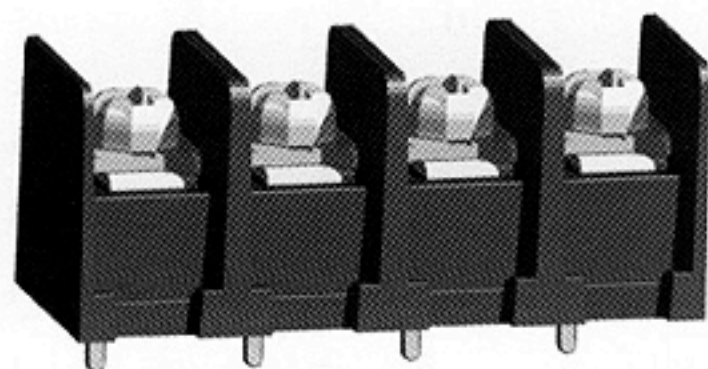
- .374" PCB Barrier Terminal Blocks
- Terminal style : O32
- Pitch : 9.50 mm



Poles	2	3	4	5	6	7	8	9	10	11	12	13	14	15	16
L(mm)	21.5	31.0	40.5	50.0	59.5	69.0	78.5	88.0	97.5	107	117	126	136	145	155
S(mm)	9.50	19.0	28.5	38.0	47.5	57.0	66.5	76.0	85.5	95.0	105	114	124	133	143
Poles	17	18	19	20	21	22	23	24	25	26	27	28	29	30	
L(mm)	164	174	183	193	202	212	221	231	240	250	259	269	278	288	
S(mm)	152	162	171	181	190	200	209	219	228	238	247	257	266	276	

- **Sepecification**

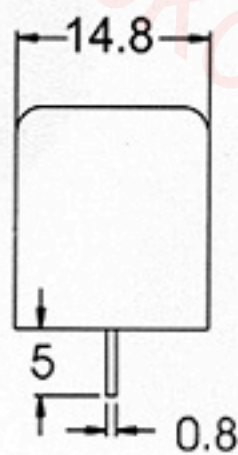
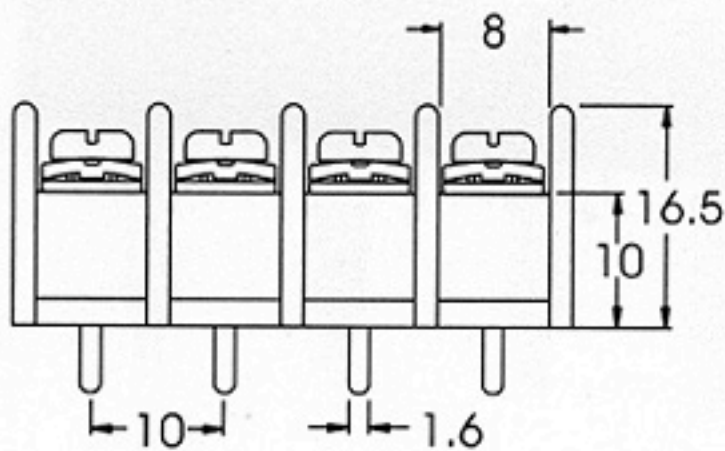
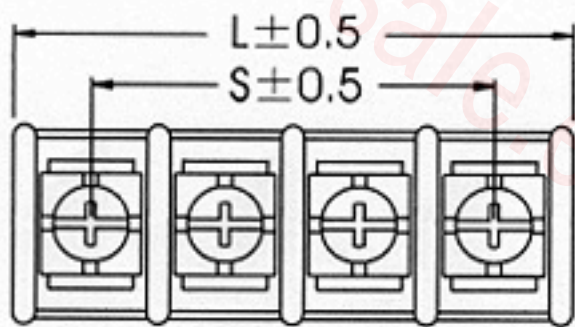
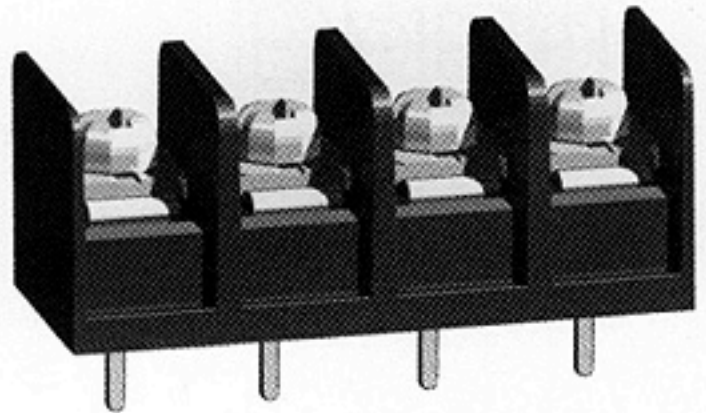
- .374" PCB Barrier Terminal Blocks
- Terminal style : S11
- Pitch : 9.50 mm



Poles	2	3	4	5	6	7	8	9	10	11	12	13	14	15	16
L(mm)	21.5	31.0	40.5	50.0	59.5	69.0	78.5	88.0	97.5	107	117	126	136	145	155
S(mm)	9.50	19.0	28.5	38.0	47.5	57.0	66.5	76.0	85.5	95.0	105	114	124	133	143
Poles	17	18	19	20	21	22	23	24	25	26	27	28	29	30	
L(mm)	164	174	183	193	202	212	221	231	240	250	259	269	278	288	
S(mm)	152	162	171	181	190	200	209	219	228	238	247	257	266	276	

- **Specification**

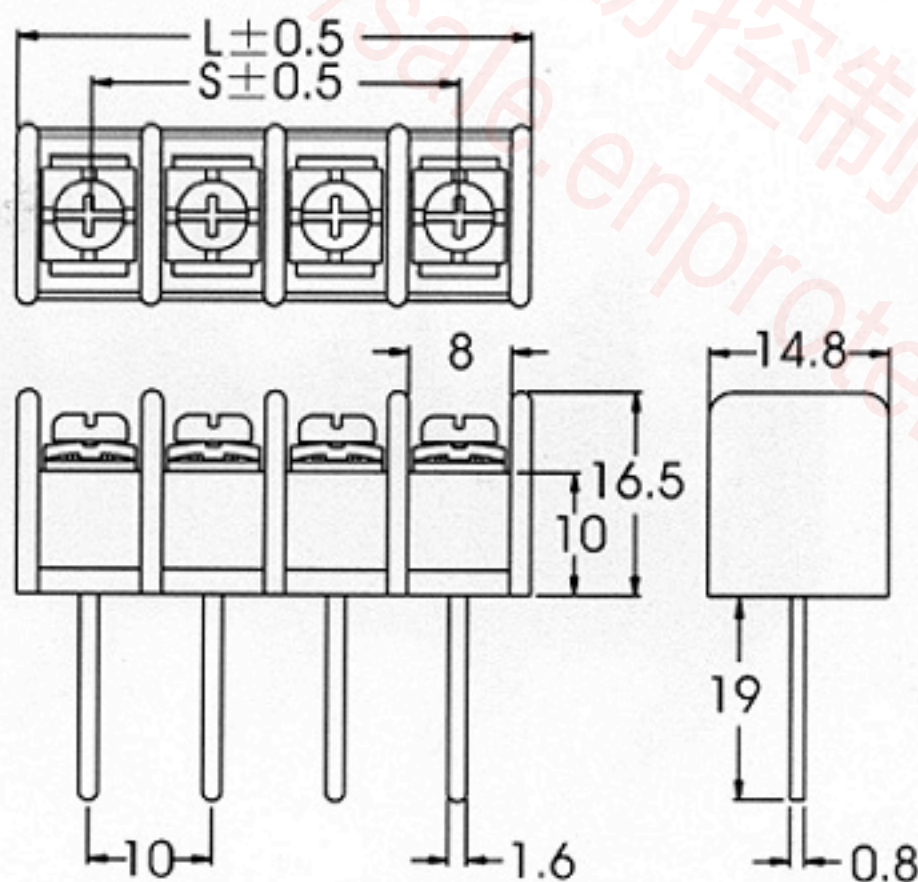
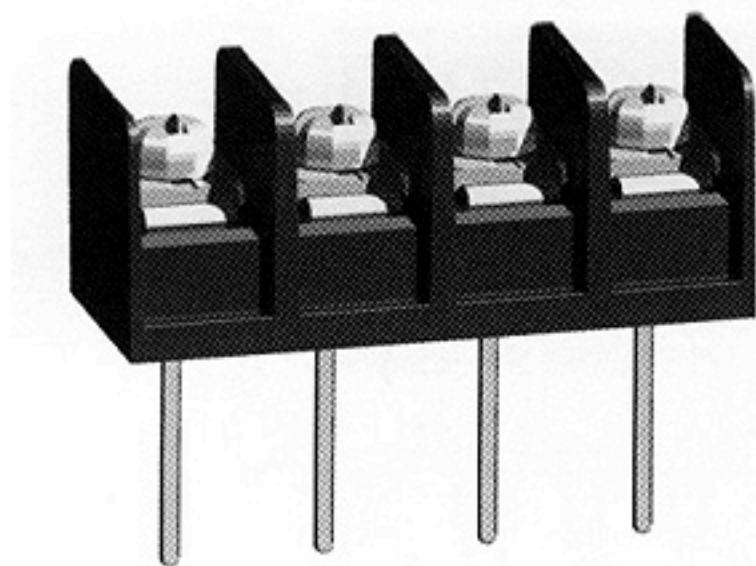
- .394" PCB Barrier Terminal Blocks
- Terminal style : M11
- Pitch : 10.00 mm



Poles	2	3	4	5	6	7	8	9	10	11	12	13	14	15	16
L(mm)	21.8	31.8	41.8	51.8	61.8	71.8	81.8	91.8	102	112	122	132	142	152	162
S(mm)	10.0	20.0	30.0	40.0	50.0	60.0	70.0	80.0	90.0	100	110	120	130	140	150
Poles	17	18	19	20	21	22	23	24	25	26	27	28	29	30	
L(mm)	172	182	192	202	212	222	232	242	252	262	272	282	292	302	
S(mm)	160	170	180	190	200	210	220	230	240	250	260	270	280	290	

- **Specification**

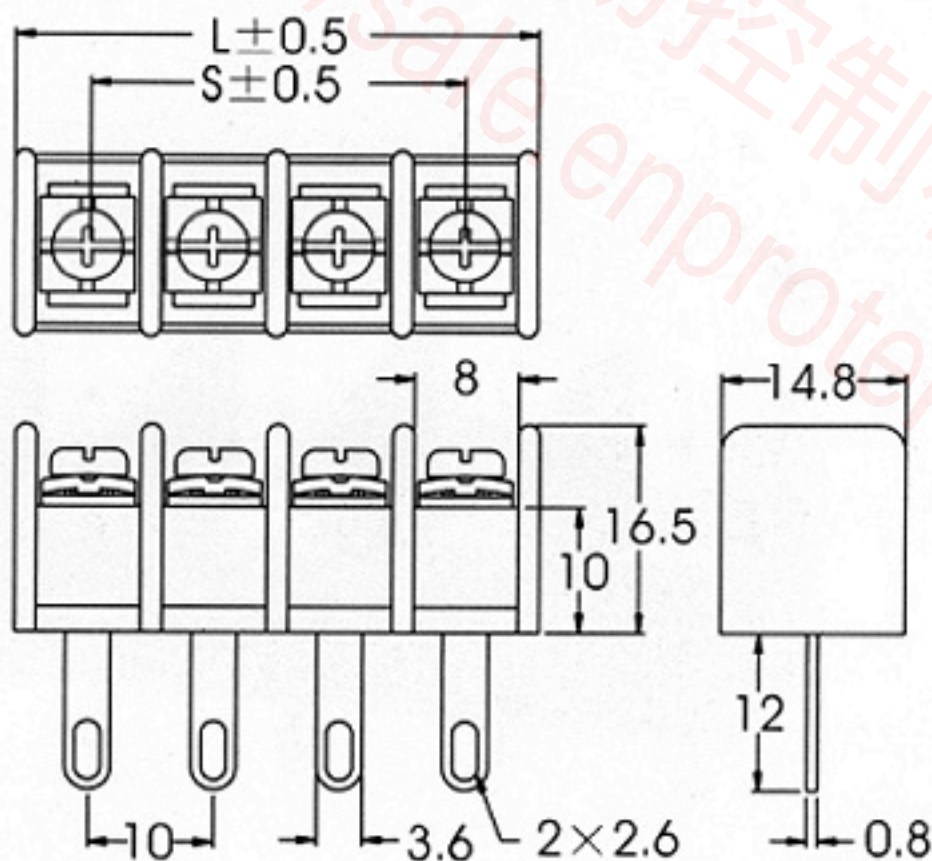
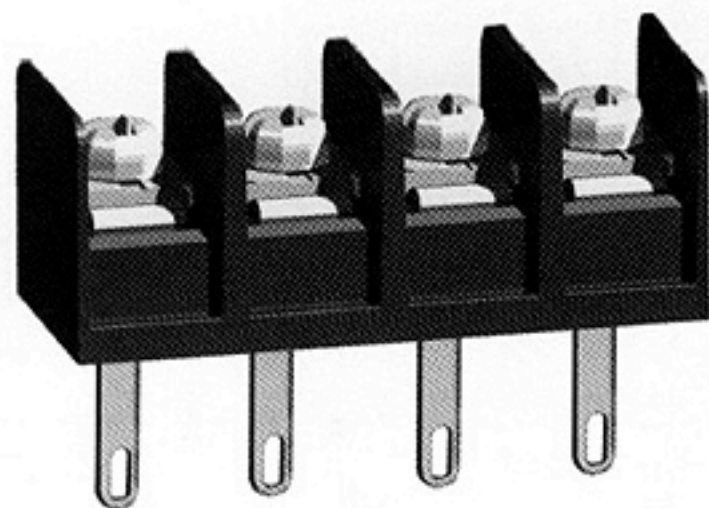
- .394" PCB Barrier Terminal Blocks
- Terminal style : M14
- Pitch : 10.00 mm



Poles	2	3	4	5	6	7	8	9	10	11	12	13	14	15	16
L(mm)	21.8	31.8	41.8	51.8	61.8	71.8	81.8	91.8	102	112	122	132	142	152	162
S(mm)	10.0	20.0	30.0	40.0	50.0	60.0	70.0	80.0	90.0	100	110	120	130	140	150
Poles	17	18	19	20	21	22	23	24	25	26	27	28	29	30	
L(mm)	172	182	192	202	212	222	232	242	252	262	272	282	292	302	
S(mm)	160	170	180	190	200	210	220	230	240	250	260	270	280	290	

- **Specification**

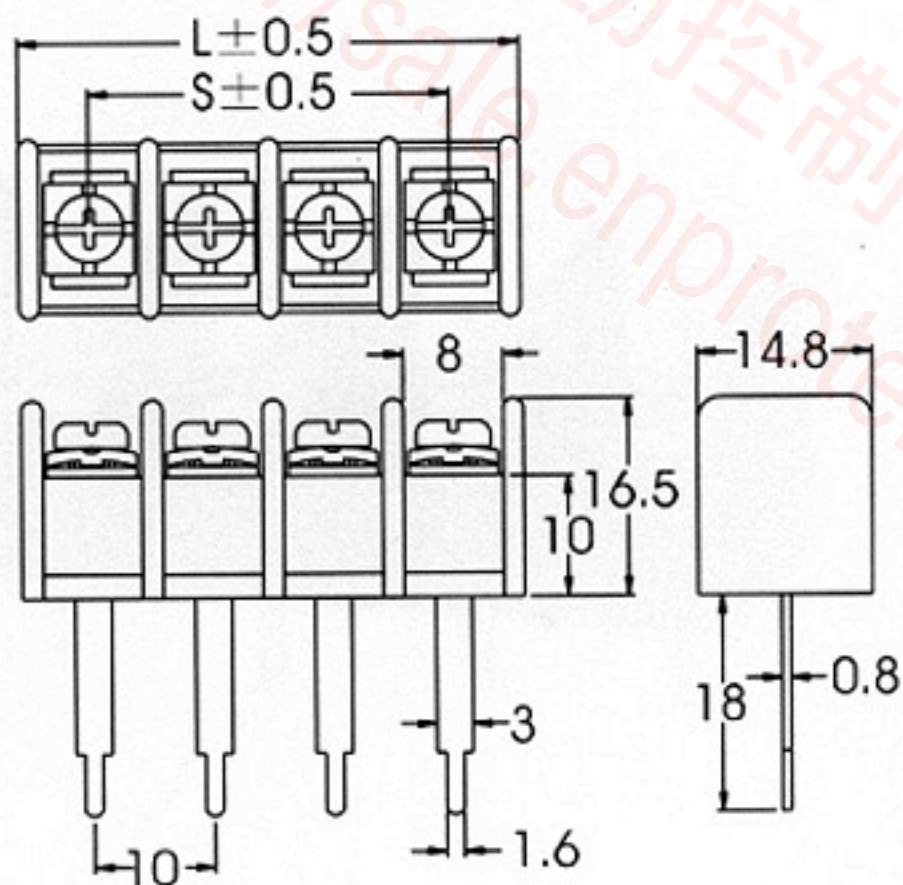
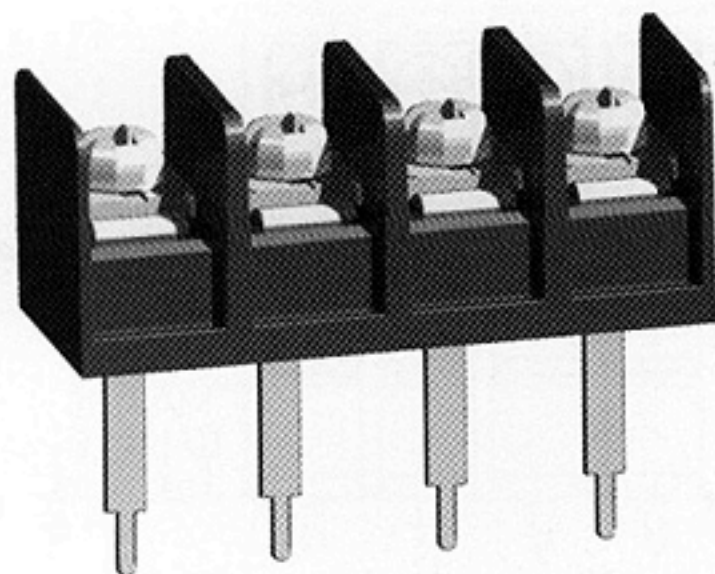
- .394" PCB Barrier Terminal Blocks
- Terminal style : M22
- Pitch : 10.00 mm



Poles	2	3	4	5	6	7	8	9	10	11	12	13	14	15	16
L(mm)	21.8	31.8	41.8	51.8	61.8	71.8	81.8	91.8	102	112	122	132	142	152	162
S(mm)	10.0	20.0	30.0	40.0	50.0	60.0	70.0	80.0	90.0	100	110	120	130	140	150
Poles	17	18	19	20	21	22	23	24	25	26	27	28	29	30	
L(mm)	172	182	192	202	212	222	232	242	252	262	272	282	292	302	
S(mm)	160	170	180	190	200	210	220	230	240	250	260	270	280	290	

- **Specification**

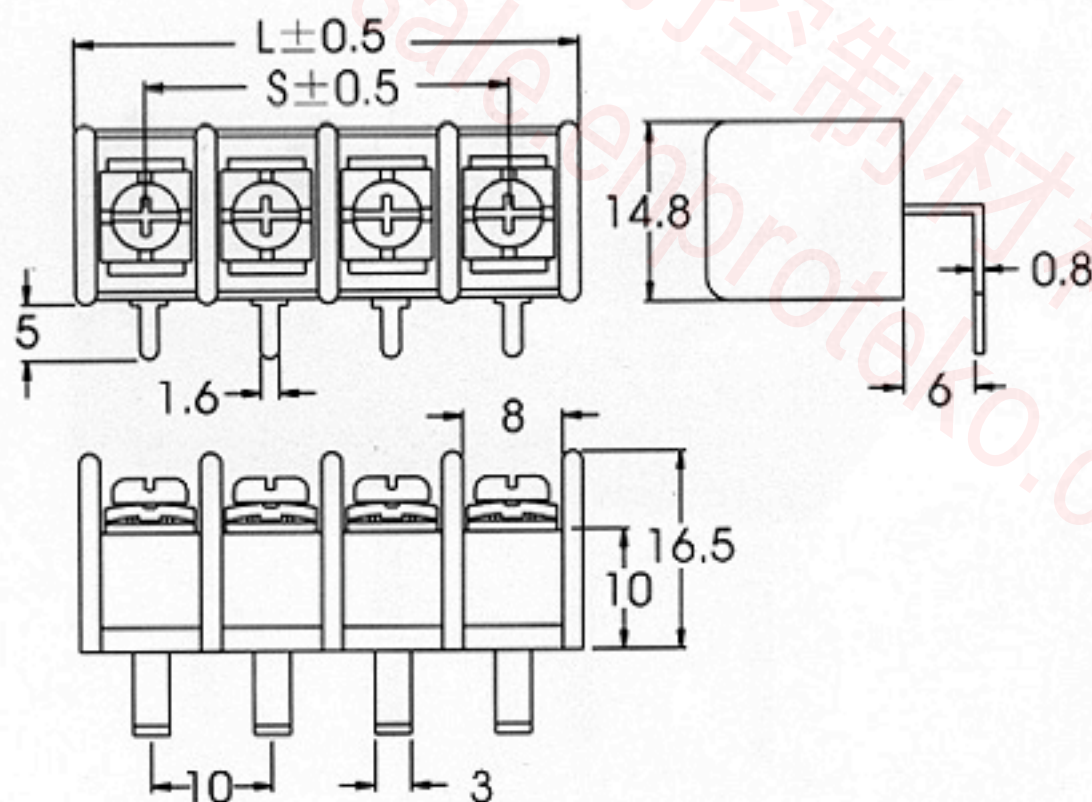
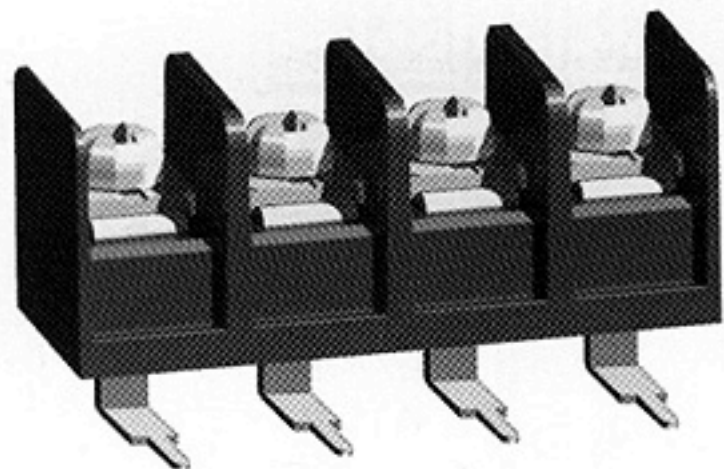
- .394" PCB Barrier Terminal Blocks
- Terminal style : M32
- Pitch : 10.00 mm



Poles	2	3	4	5	6	7	8	9	10	11	12	13	14	15	16
L(mm)	21.8	31.8	41.8	51.8	61.8	71.8	81.8	91.8	102	112	122	132	142	152	162
S(mm)	10.0	20.0	30.0	40.0	50.0	60.0	70.0	80.0	90.0	100	110	120	130	140	150
Poles	17	18	19	20	21	22	23	24	25	26	27	28	29	30	
L(mm)	172	182	192	202	212	222	232	242	252	262	272	282	292	302	
S(mm)	160	170	180	190	200	210	220	230	240	250	260	270	280	290	

- **Specification**

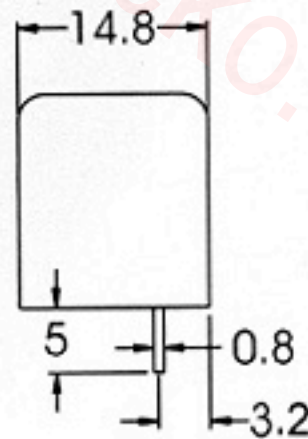
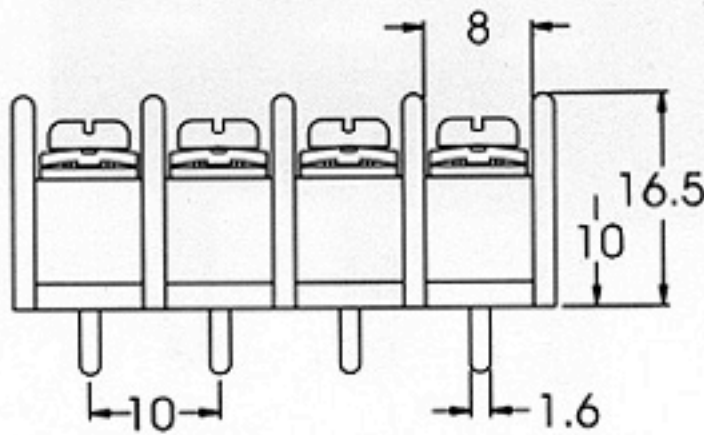
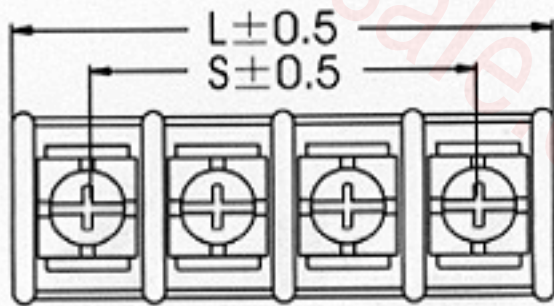
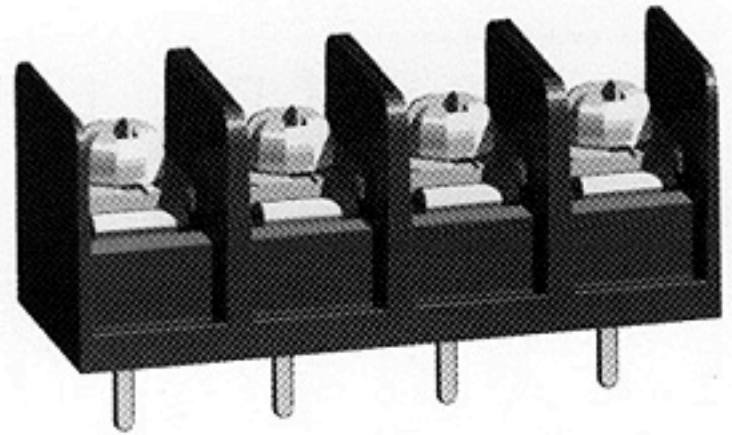
- .394" PCB Barrier Terminal Blocks
- Terminal style : O32
- Pitch : 10.00 mm



Poles	2	3	4	5	6	7	8	9	10	11	12	13	14	15	16
L(mm)	21.8	31.8	41.8	51.8	61.8	71.8	81.8	91.8	102	112	122	132	142	152	162
S(mm)	10.0	20.0	30.0	40.0	50.0	60.0	70.0	80.0	90.0	100	110	120	130	140	150
Poles	17	18	19	20	21	22	23	24	25	26	27	28	29	30	
L(mm)	172	182	192	202	212	222	232	242	252	262	272	282	292	302	
S(mm)	160	170	180	190	200	210	220	230	240	250	260	270	280	290	

● **Specification**

- .394" PCB Barrier Terminal Blocks
- Terminal style : S11
- Pitch : 10.00 mm



Poles	2	3	4	5	6	7	8	9	10	11	12	13	14	15	16
L(mm)	21.8	31.8	41.8	51.8	61.8	71.8	81.8	91.8	102	112	122	132	142	152	162
S(mm)	10.0	20.0	30.0	40.0	50.0	60.0	70.0	80.0	90.0	100	110	120	130	140	150
Poles	17	18	19	20	21	22	23	24	25	26	27	28	29	30	
L(mm)	172	182	192	202	212	222	232	242	252	262	272	282	292	302	
S(mm)	160	170	180	190	200	210	220	230	240	250	260	270	280	290	