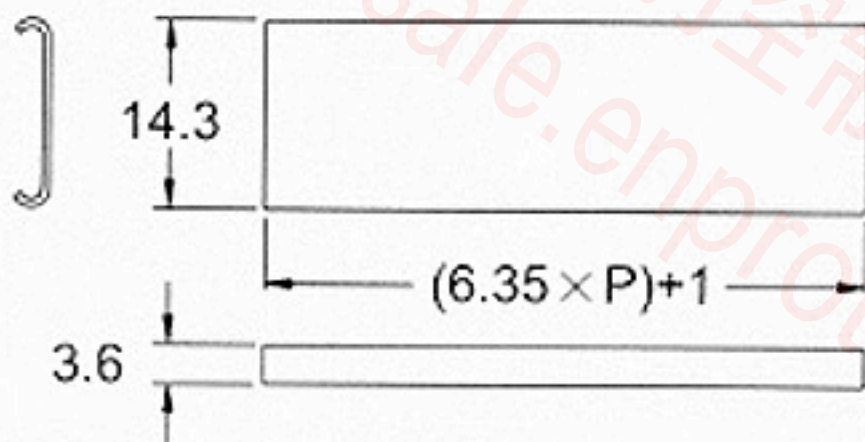


- **Specification**

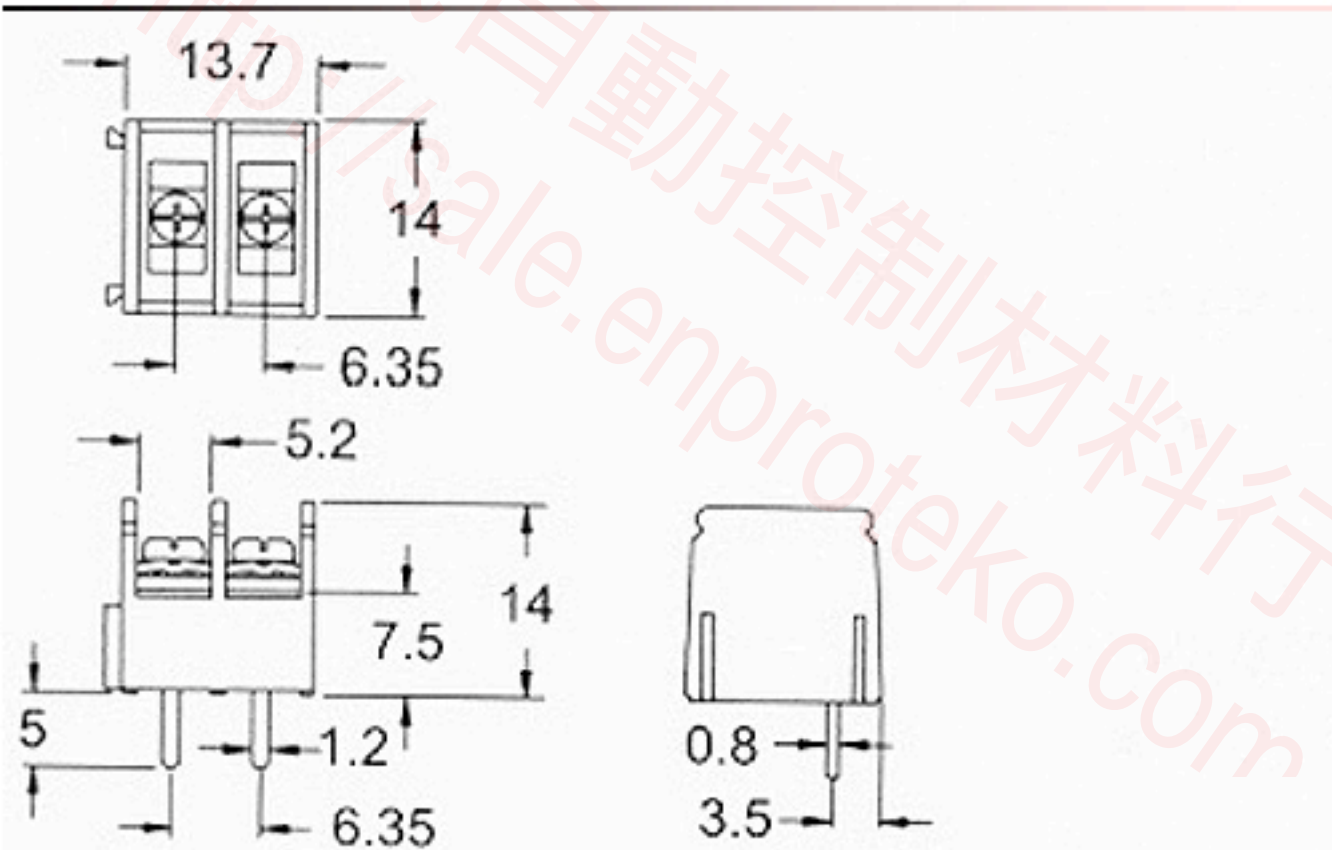
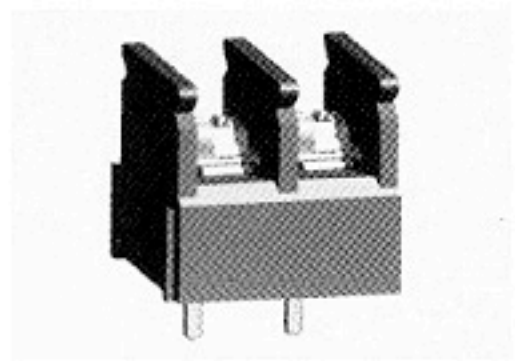
- .250" PCB Barrier Terminal Blocks
- Pitch : 6.35 mm



T30MBS11-02		2 pole modular
T30MBS11-03		3 pole modular
T30MRS11-02		2 pole modular w/o wall (right side)
T30MRS11-03		3 pole modular w/o wall (right side)
T30M-R01		mounting hole
BC30M-□□		clear cover

- **Specification**

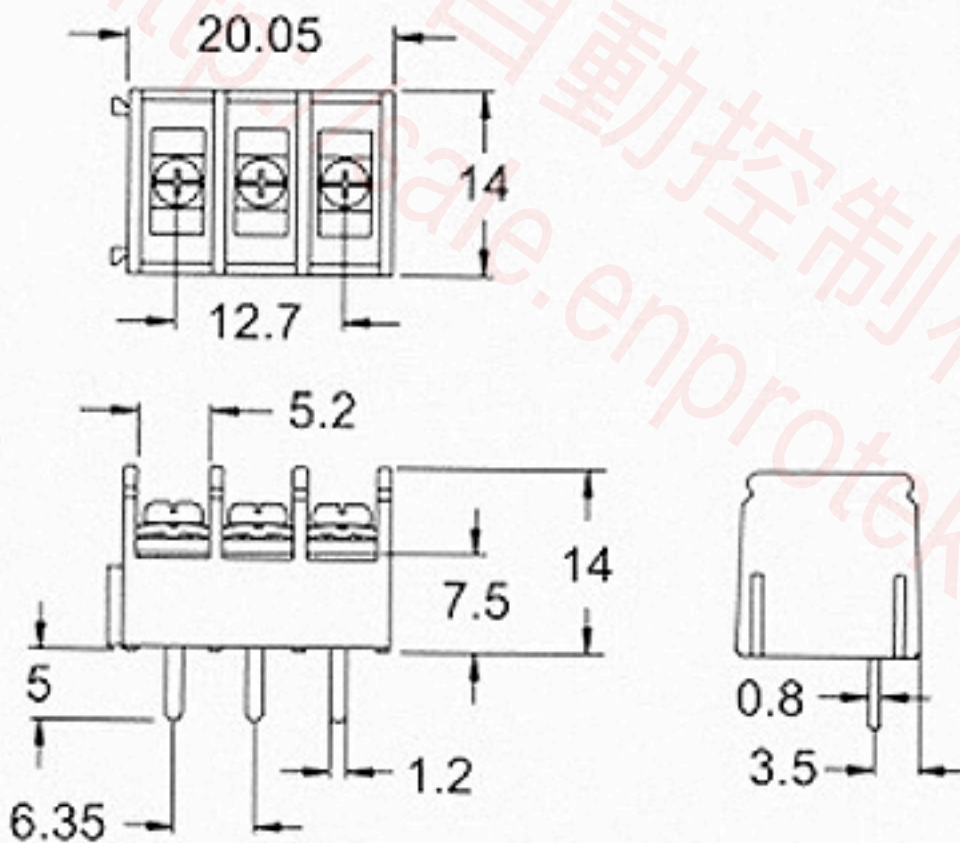
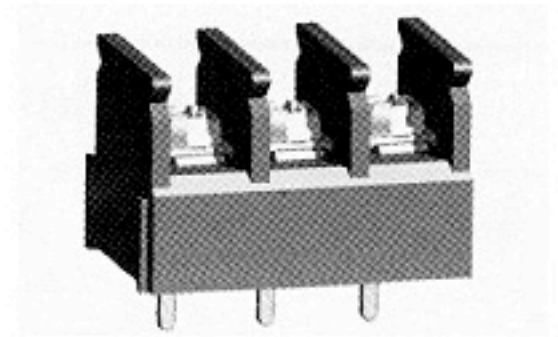
- .250" PCB Barrier Terminal Blocks
- Pitch : 6.35 mm



T30MBS11-02		2 pole modular
T30MBS11-03		3 pole modular
T30MRS11-02		2 pole modular w/o wall (right side)
T30MRS11-03		3 pole modular w/o wall (right side)
T30M-R01		mounting hole
BC30M-□□		clear cover

- **Specification**

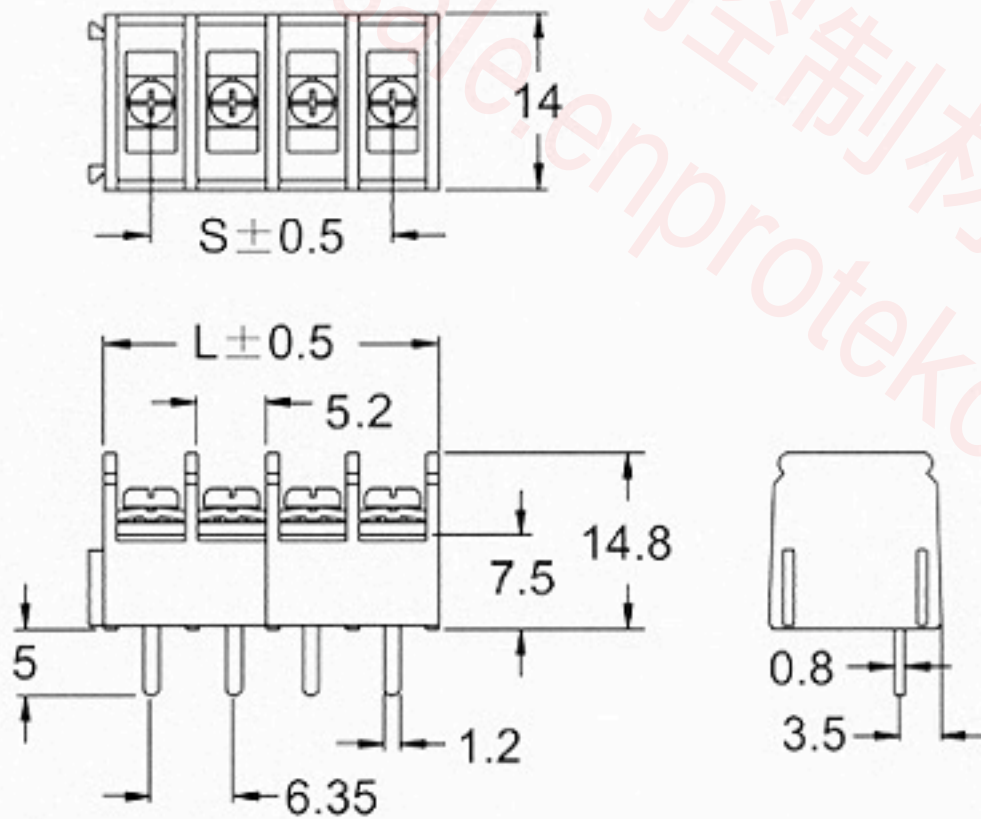
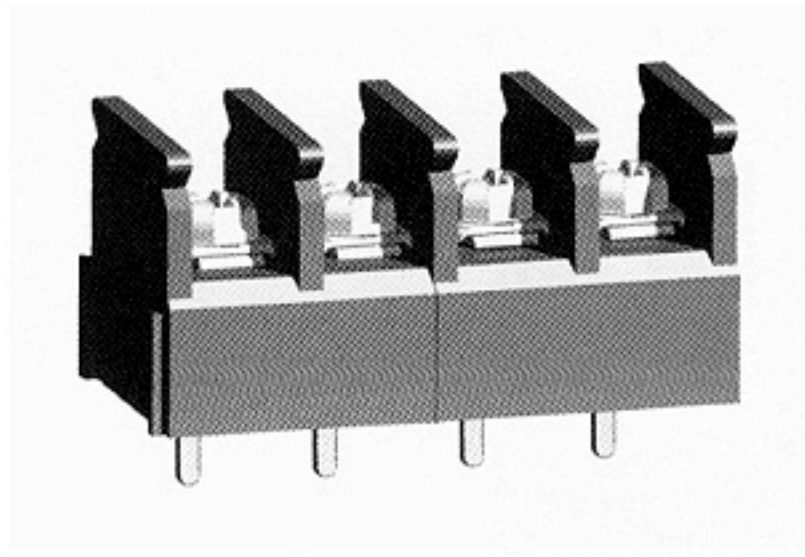
- .250" PCB Barrier Terminal Blocks
- Pitch : 6.35 mm



T30MBS11-02		2 pole modular
T30MBS11-03		3 pole modular
T30MRS11-02		2 pole modular w/o wall (right side)
T30MRS11-03		3 pole modular w/o wall (right side)
T30M-R01		mounting hole
BC30M-□□		clear cover

- **Sepecification**

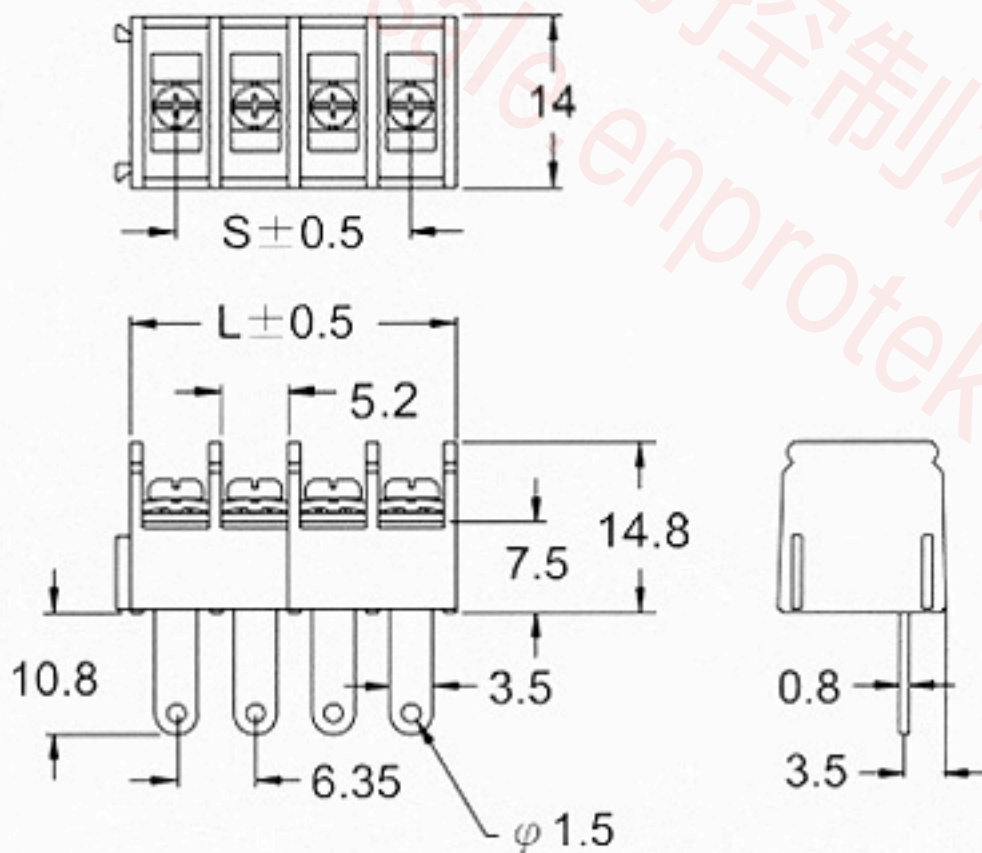
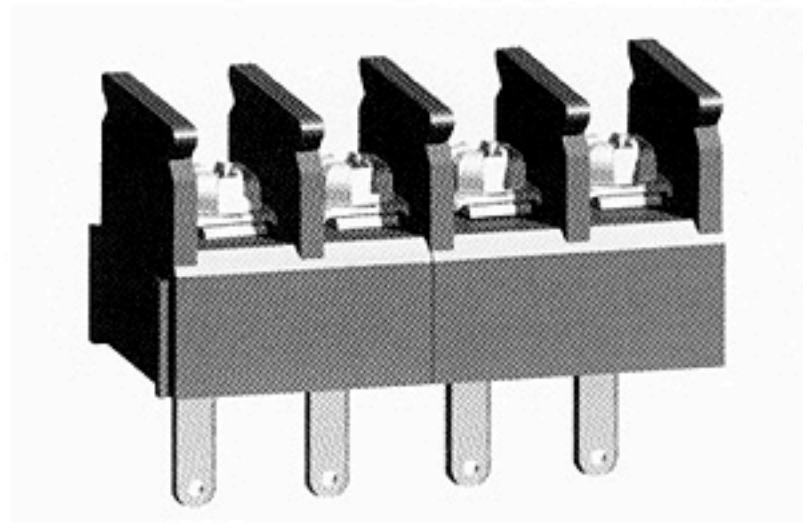
- .250" PCB Barrier Terminal Blocks
- Terminal style : S11
- Pitch : 6.35 mm



Poles	2	3	4	5	6	7	8	9	10	11	12	13	14	15	16
L(mm)	13.7	20.1	26.4	33.3	39.1	45.5	51.8	58.2	64.5	70.9	77.2	83.6	89.9	96.3	103
S(mm)	6.35	12.7	19.1	25.4	31.8	38.1	44.5	50.8	57.2	63.5	69.9	76.2	82.6	88.9	95.3
Poles	17	18	19	20	21	22	23	24	25	26	27	28	29	30	
L(mm)	109	115	122	128	134	141	147	153	160	166	173	179	185	192	
S(mm)	102	108	114	121	127	133	140	146	152	159	165	171	178	184	

- **Specification**

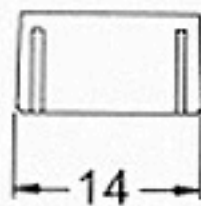
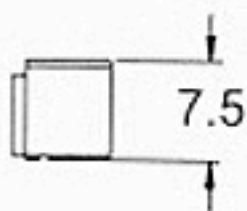
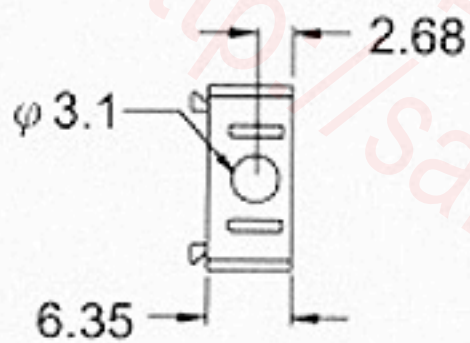
- .250" PCB Barrier Terminal Blocks
- Terminal style : S64
- Pitch : 6.35 mm



Poles	2	3	4	5	6	7	8	9	10	11	12	13	14	15	16
L(mm)	13.7	20.1	26.4	33.3	39.1	45.5	51.8	58.2	64.5	70.9	77.2	83.6	89.9	96.3	103
S(mm)	6.35	12.7	19.1	25.4	31.8	38.1	44.5	50.8	57.2	63.5	69.9	76.2	82.6	88.9	95.3
Poles	17	18	19	20	21	22	23	24	25	26	27	28	29	30	
L(mm)	109	115	122	128	134	141	147	153	160	166	173	179	185	192	
S(mm)	102	108	114	121	127	133	140	146	152	159	165	171	178	184	

- **Sepecification**

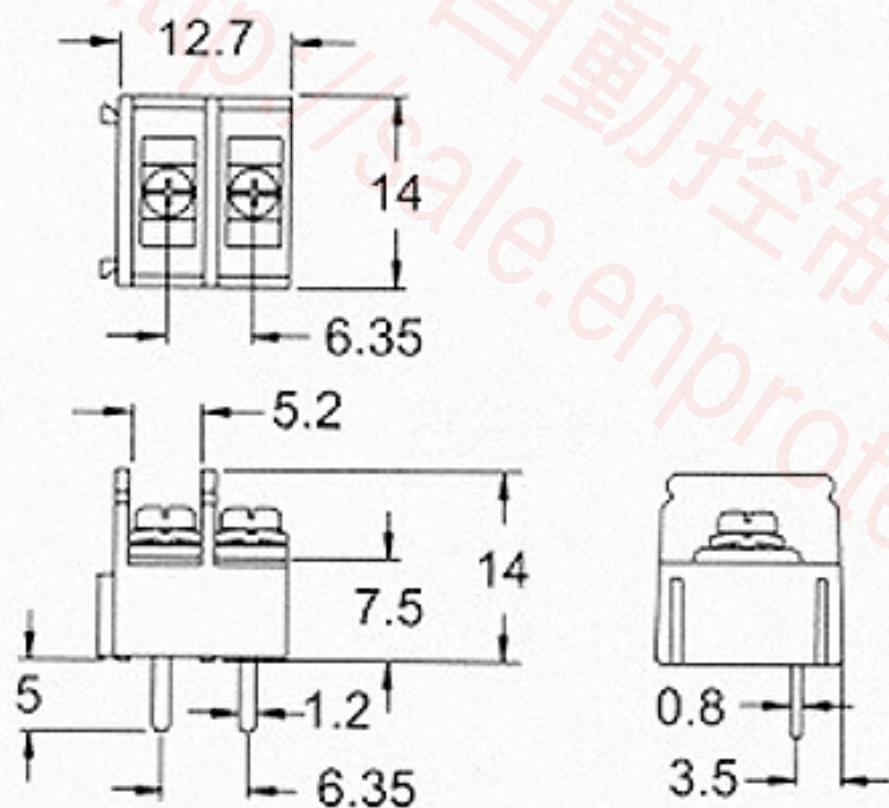
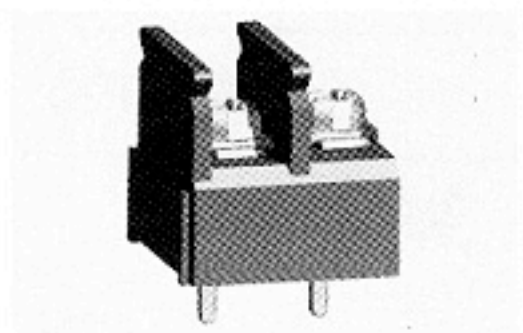
- .250" PCB Barrier Terminal Blocks
- Pitch : 6.35 mm



T30MBS11-02		2 pole modular
T30MBS11-03		3 pole modular
T30MRS11-02		2 pole modular w/o wall (right side)
T30MRS11-03		3 pole modular w/o wall (right side)
T30M-R01		mounting hole
BC30M-□□		clear cover

- **Sepecification**

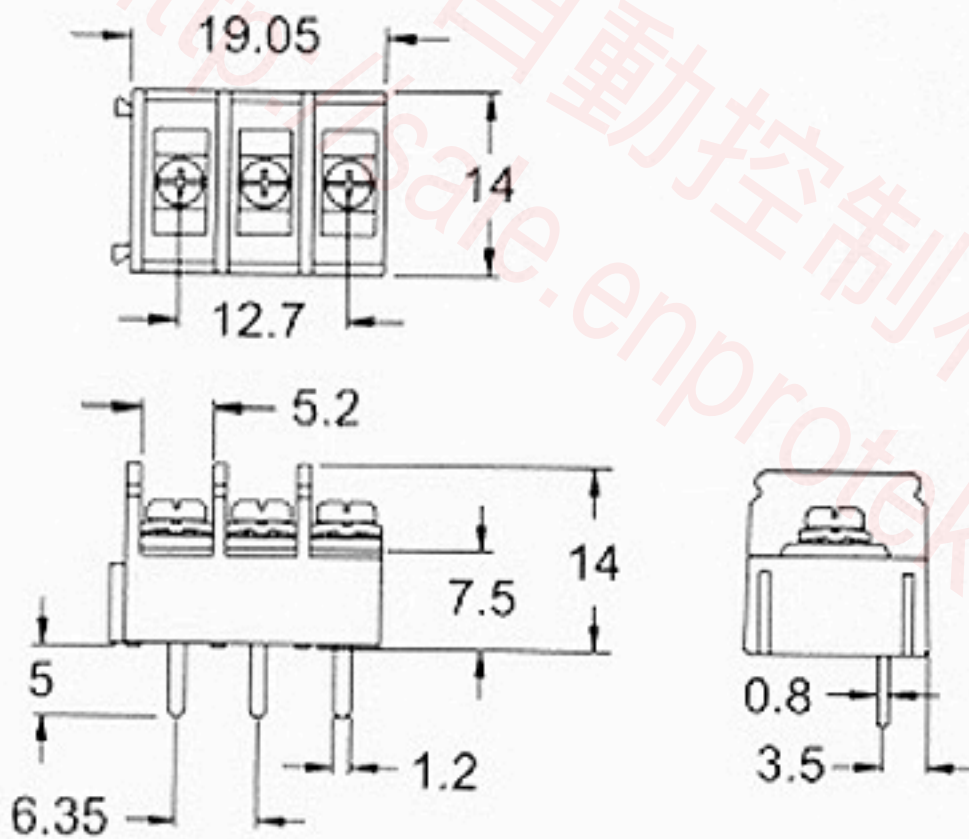
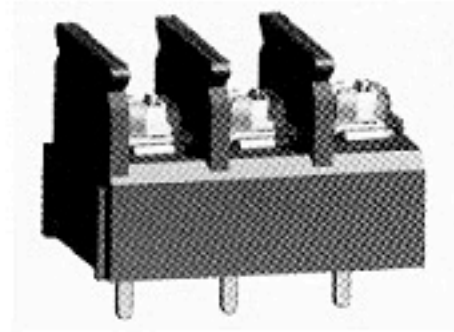
- .250" PCB Barrier Terminal Blocks
- Pitch : 6.35 mm



T30MBS11-02		2 pole modular
T30MBS11-03		3 pole modular
T30MRS11-02		2 pole modular w/o wall (right side)
T30MRS11-03		3 pole modular w/o wall (right side)
T30M-R01		mounting hole
BC30M-□□		clear cover

- **Specification**

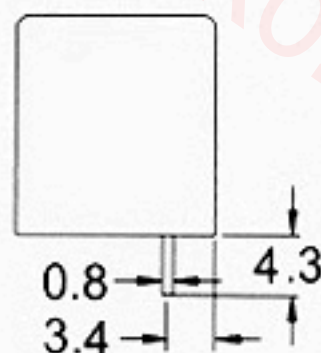
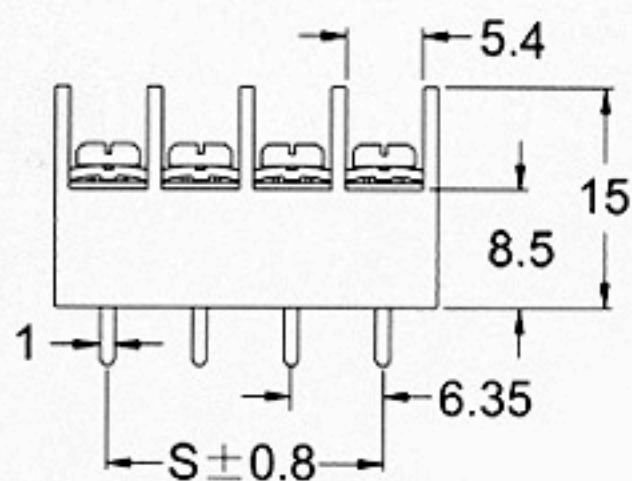
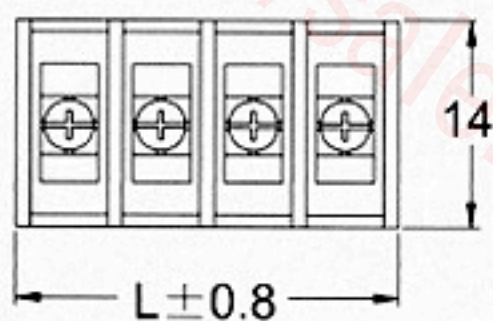
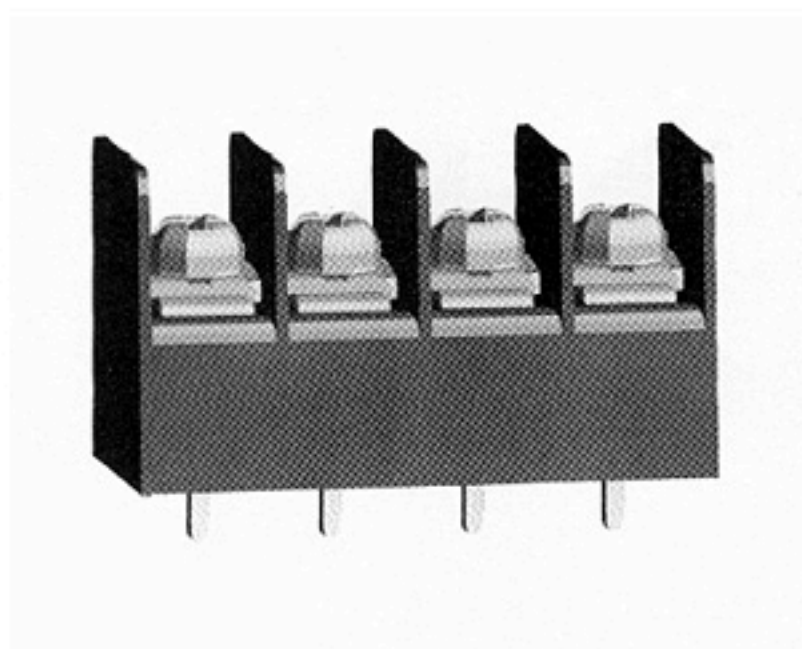
- .250" PCB Barrier Terminal Blocks
- Pitch : 6.35 mm



T30MBS11-02		2 pole modular
T30MBS11-03		3 pole modular
T30MRS11-02		2 pole modular w/o wall (right side)
T30MRS11-03		3 pole modular w/o wall (right side)
T30M-R01		mounting hole
BC30M-□□		clear cover

- **Sepecification**

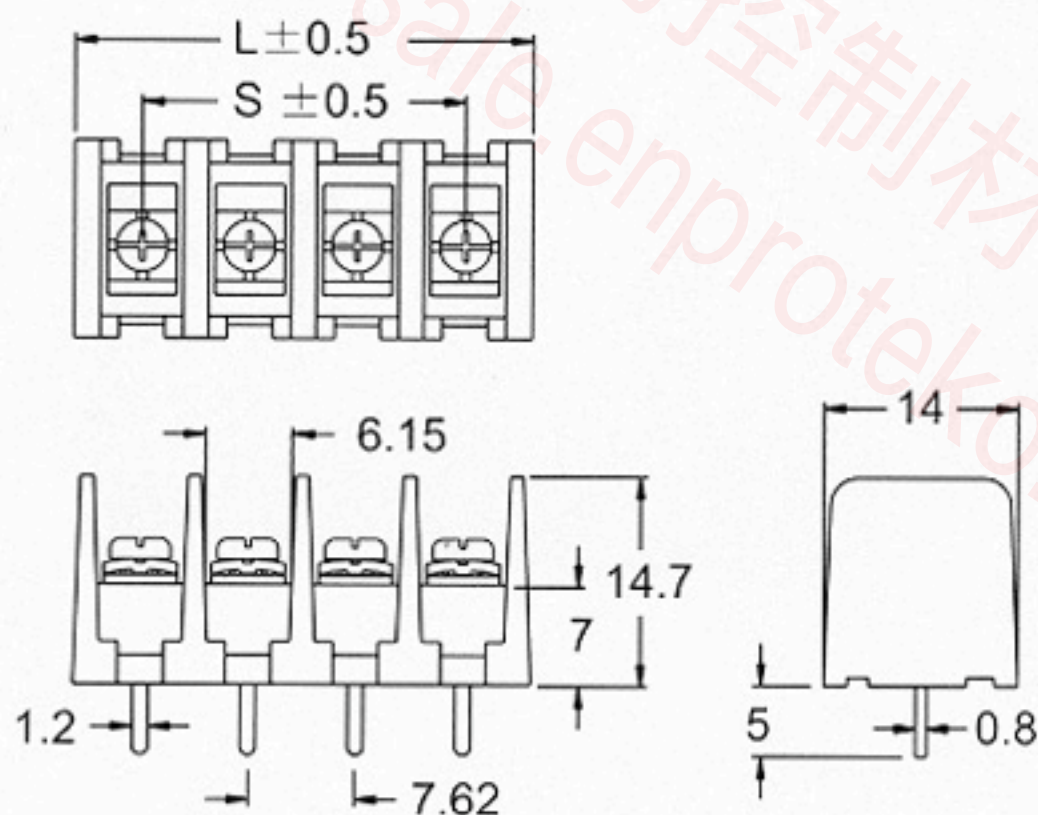
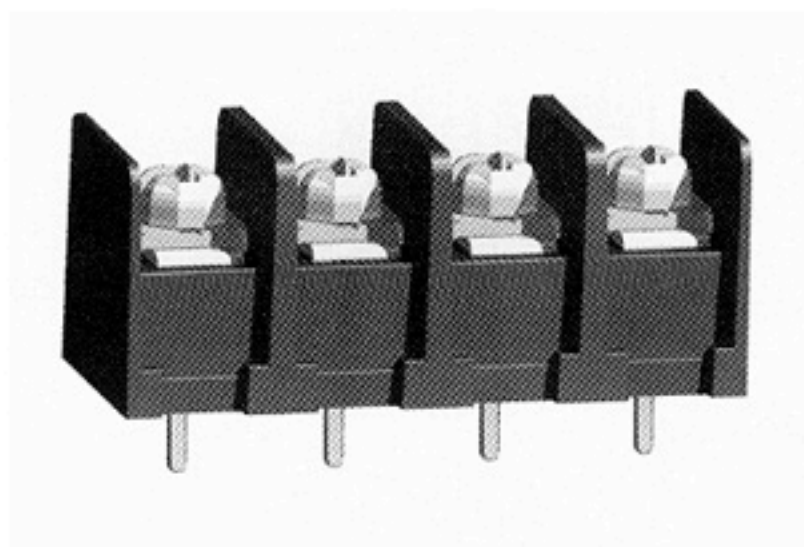
- .250" PCB Barrier Terminal Blocks
- Terminal style : S16
- Pitch : 6.35 mm



Poles	2	3	4	5	6	7	8	9	10	11	12	13	14	15	16
L(mm)	14.2	20.6	26.9	33.3	39.6	46.0	52.3	58.7	65.0	71.4	77.7	84.1	90.4	96.8	103
S(mm)	6.35	12.7	19.1	25.4	31.8	38.1	44.5	50.8	57.2	63.5	69.9	76.2	82.6	88.9	95.3
Poles	17	18	19	20	21	22	23	24	25	26	27	28	29	30	
L(mm)	110	116	122	129	135	141	148	154	160	167	173	179	186	192	
S(mm)	102	108	114	121	127	133	140	146	152	159	165	171	178	184	

- **Sepecification**

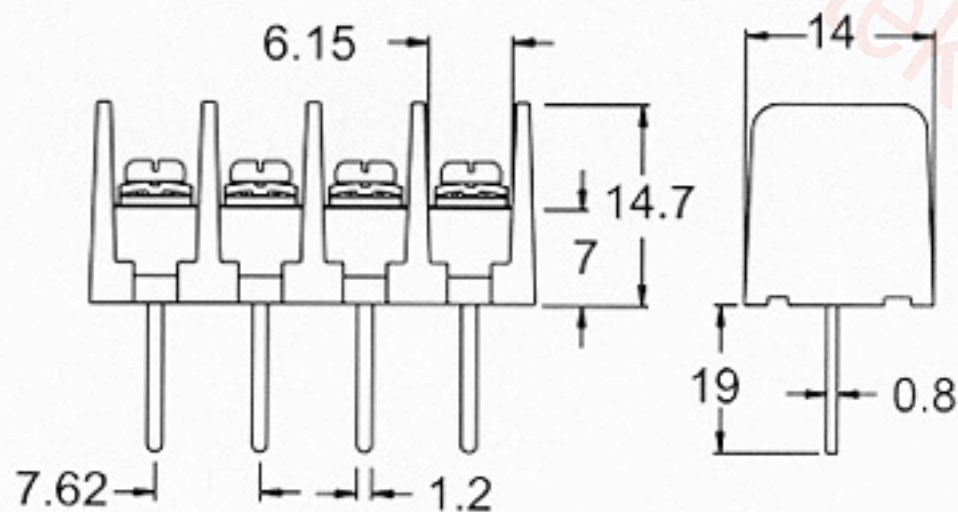
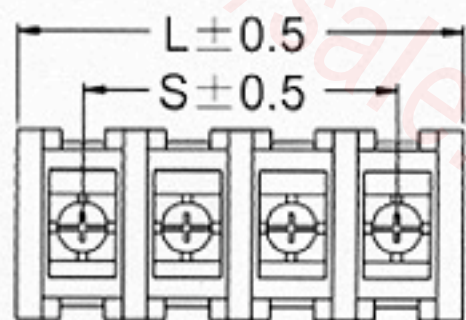
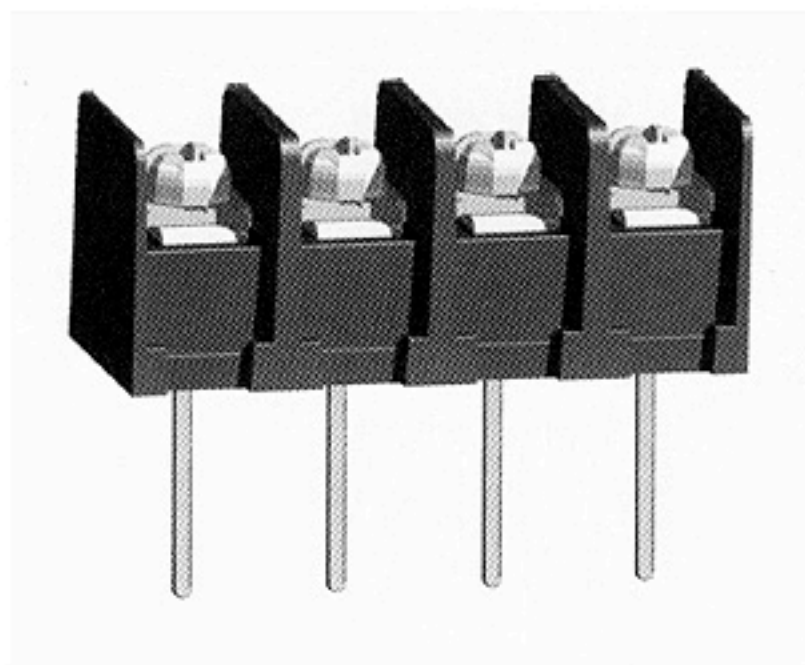
- .300" PCB Barrier Terminal Blocks
- Terminal style : M11
- Pitch : 7.62 mm



Poles	2	3	4	5	6	7	8	9	10	11	12	13	14	15	16
L(mm)	16.9	24.5	32.1	39.7	47.4	55.0	62.6	70.2	77.8	85.5	93.1	101	108	116	124
S(mm)	7.62	15.2	22.9	30.5	38.1	45.7	53.3	61.0	68.6	76.2	83.9	91.4	99.1	107	114
Poles	17	18	19	20	21	22	23	24	25	26	27	28	29	30	
L(mm)	131	139	146	154	162	170	177	185	192	200	207	215	223	230	
S(mm)	122	130	137	145	152	160	168	175	183	191	198	206	213	221	

- **Specification**

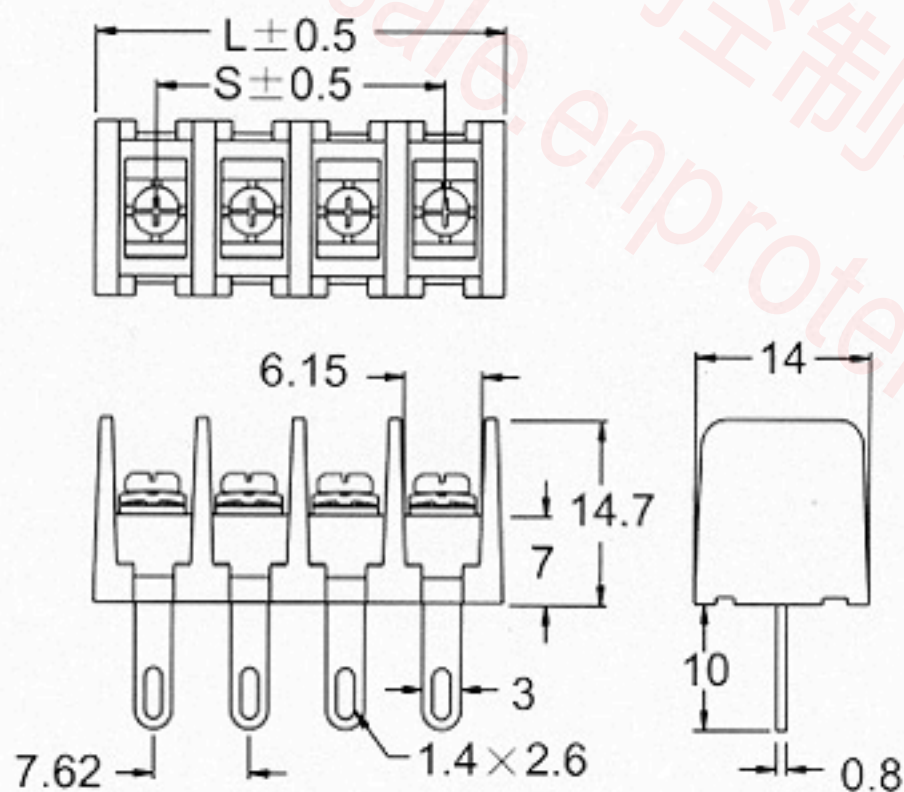
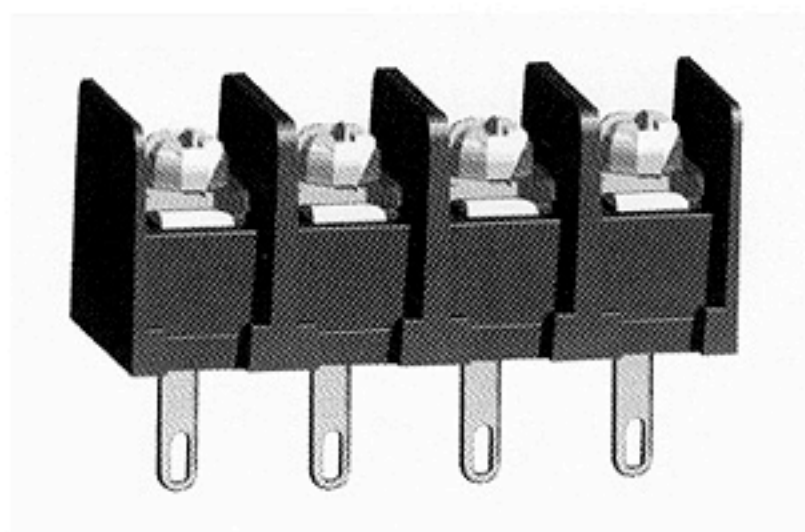
- .300" PCB Barrier Terminal Blocks
- Terminal style : M14
- Pitch : 7.62 mm



Poles	2	3	4	5	6	7	8	9	10	11	12	13	14	15	16
L(mm)	16.9	24.5	32.1	39.7	47.4	55.0	62.6	70.2	77.8	85.5	93.1	101	108	116	124
S(mm)	7.62	15.2	22.9	30.5	38.1	45.7	53.3	61.0	68.6	76.2	83.9	91.4	99.1	107	114
Poles	17	18	19	20	21	22	23	24	25	26	27	28	29	30	
L(mm)	131	139	146	154	162	170	177	185	192	200	207	215	223	230	
S(mm)	122	130	137	145	152	160	168	175	183	191	198	206	213	221	

- **Specification**

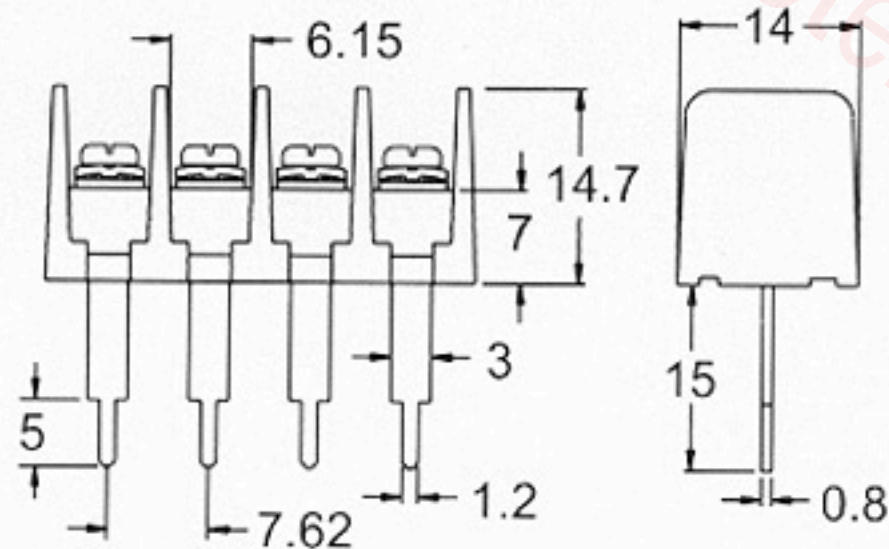
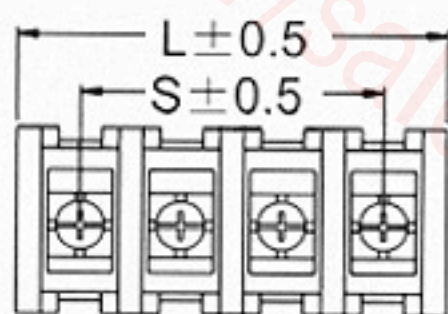
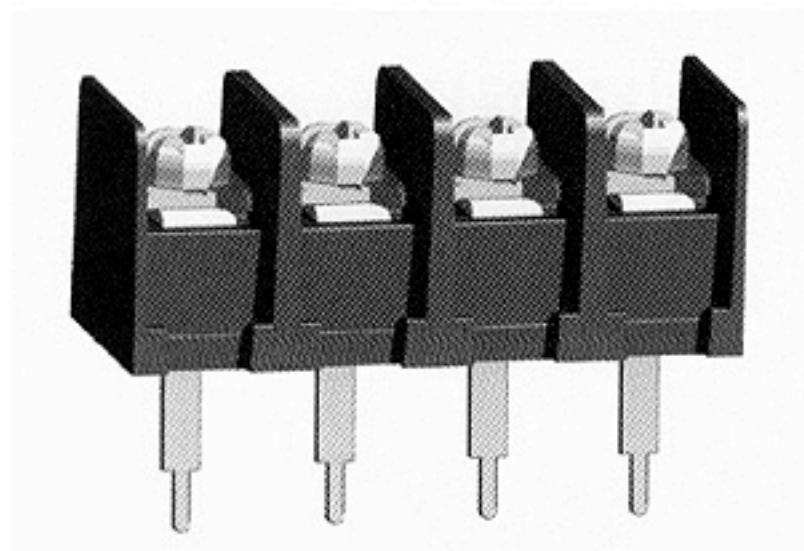
- .300" PCB Barrier Terminal Blocks
- Terminal style : M21
- Pitch : 7.62 mm



Poles	2	3	4	5	6	7	8	9	10	11	12	13	14	15	16
L(mm)	16.9	24.5	32.1	39.7	47.4	55.0	62.6	70.2	77.8	85.5	93.1	101	108	116	124
S(mm)	7.62	15.2	22.9	30.5	38.1	45.7	53.3	61.0	68.6	76.2	83.9	91.4	99.1	107	114
Poles	17	18	19	20	21	22	23	24	25	26	27	28	29	30	
L(mm)	131	139	146	154	162	170	177	185	192	200	207	215	223	230	
S(mm)	122	130	137	145	152	160	168	175	183	191	198	206	213	221	

- **Specification**

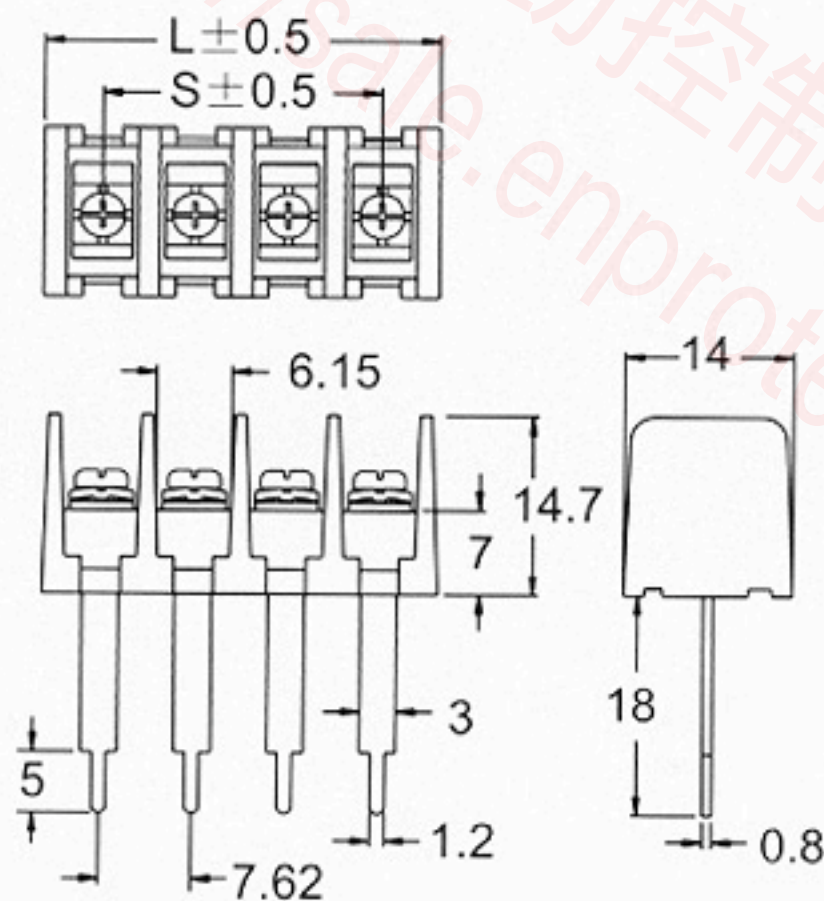
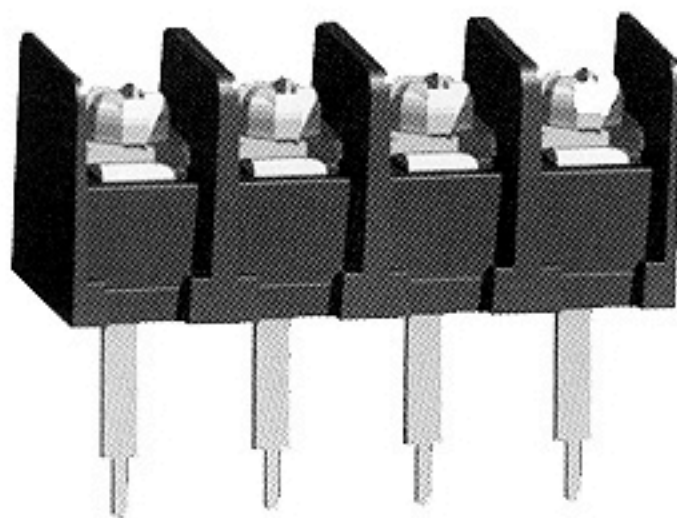
- .300" PCB Barrier Terminal Blocks
- Terminal style : M31
- Pitch : 7.62 mm



Poles	2	3	4	5	6	7	8	9	10	11	12	13	14	15	16
L(mm)	16.9	24.5	32.1	39.7	47.4	55.0	62.6	70.2	77.8	85.5	93.1	101	108	116	124
S(mm)	7.62	15.2	22.9	30.5	38.1	45.7	53.3	61.0	68.6	76.2	83.9	91.4	99.1	107	114
Poles	17	18	19	20	21	22	23	24	25	26	27	28	29	30	
L(mm)	131	139	146	154	162	170	177	185	192	200	207	215	223	230	
S(mm)	122	130	137	145	152	160	168	175	183	191	198	206	213	221	

- **Specification**

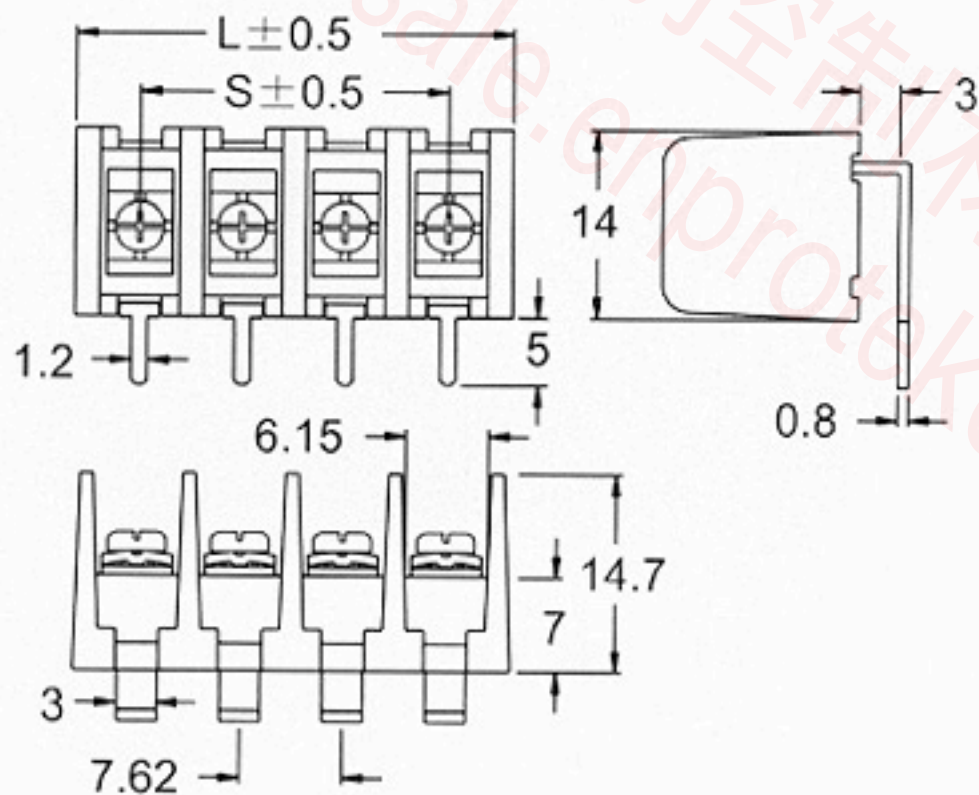
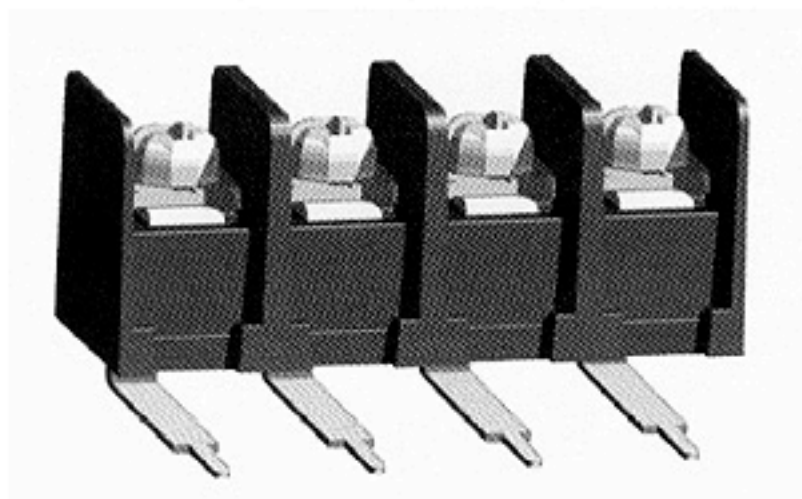
- .300" PCB Barrier Terminal Blocks
- Terminal style : M32
- Pitch : 7.62 mm



Poles	2	3	4	5	6	7	8	9	10	11	12	13	14	15	16
L(mm)	16.9	24.5	32.1	39.7	47.4	55.0	62.6	70.2	77.8	85.5	93.1	101	108	116	124
S(mm)	7.62	15.2	22.9	30.5	38.1	45.7	53.3	61.0	68.6	76.2	83.9	91.4	99.1	107	114
Poles	17	18	19	20	21	22	23	24	25	26	27	28	29	30	
L(mm)	131	139	146	154	162	170	177	185	192	200	207	215	223	230	
S(mm)	122	130	137	145	152	160	168	175	183	191	198	206	213	221	

● Specification

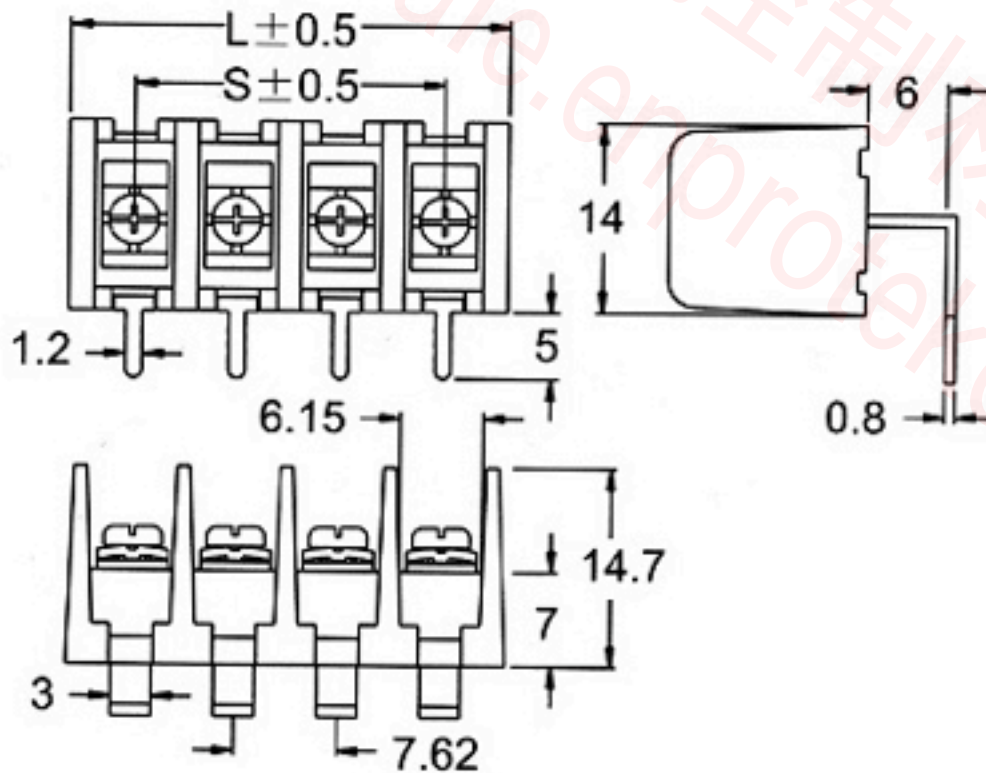
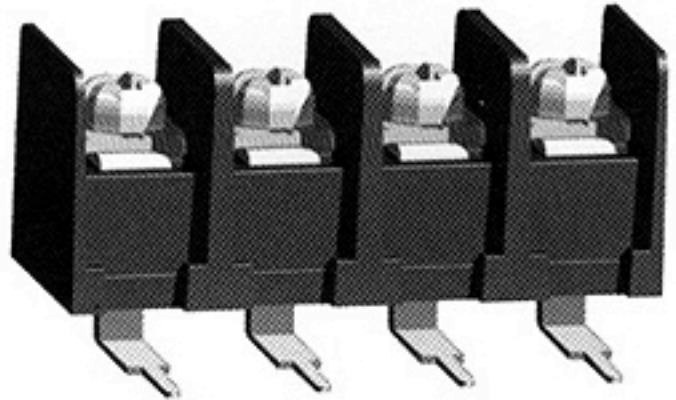
- .300" PCB Barrier Terminal Blocks
- Terminal style : N31
- Pitch : 7.62 mm



Poles	2	3	4	5	6	7	8	9	10	11	12	13	14	15	16
L(mm)	16.9	24.5	32.1	39.7	47.4	55.0	62.6	70.2	77.8	85.5	93.1	101	108	116	124
S(mm)	7.62	15.2	22.9	30.5	38.1	45.7	53.3	61.0	68.6	76.2	83.9	91.4	99.1	107	114
Poles	17	18	19	20	21	22	23	24	25	26	27	28	29	30	
L(mm)	131	139	146	154	162	170	177	185	192	200	207	215	223	230	
S(mm)	122	130	137	145	152	160	168	175	183	191	198	206	213	221	

● **Sepecification**

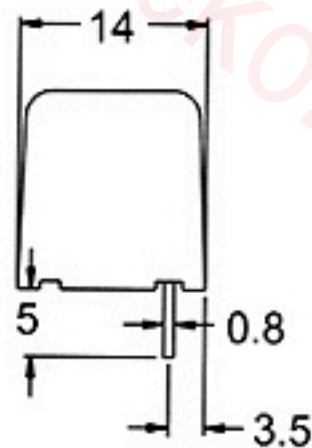
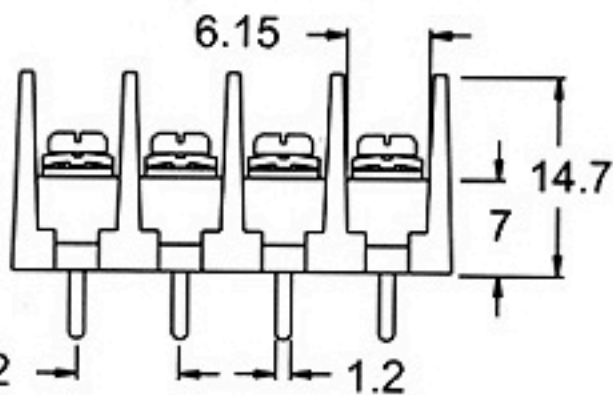
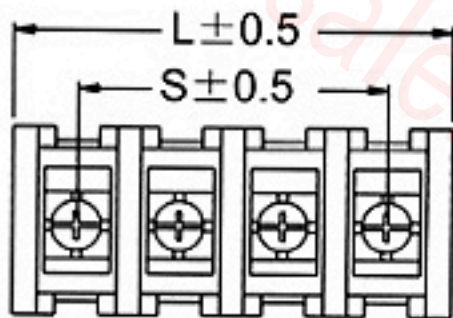
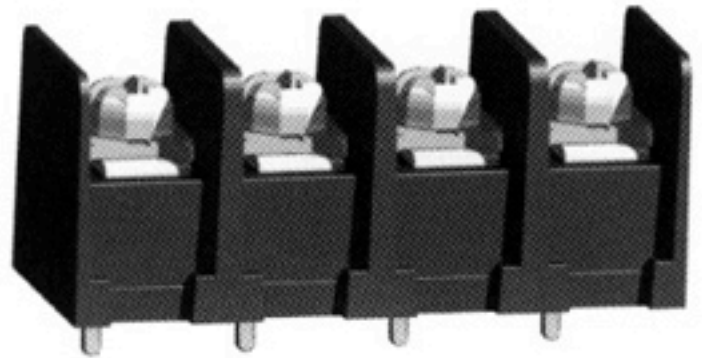
- .300" PCB Barrier Terminal Blocks
- Terminal style : O32
- Pitch : 7.62 mm



Poles	2	3	4	5	6	7	8	9	10	11	12	13	14	15	16
L(mm)	16.9	24.5	32.1	39.7	47.4	55.0	62.6	70.2	77.8	85.5	93.1	101	108	116	124
S(mm)	7.62	15.2	22.9	30.5	38.1	45.7	53.3	61.0	68.6	76.2	83.9	91.4	99.1	107	114
Poles	17	18	19	20	21	22	23	24	25	26	27	28	29	30	
L(mm)	131	139	146	154	162	170	177	185	192	200	207	215	223	230	
S(mm)	122	130	137	145	152	160	168	175	183	191	198	206	213	221	

- **Specification**

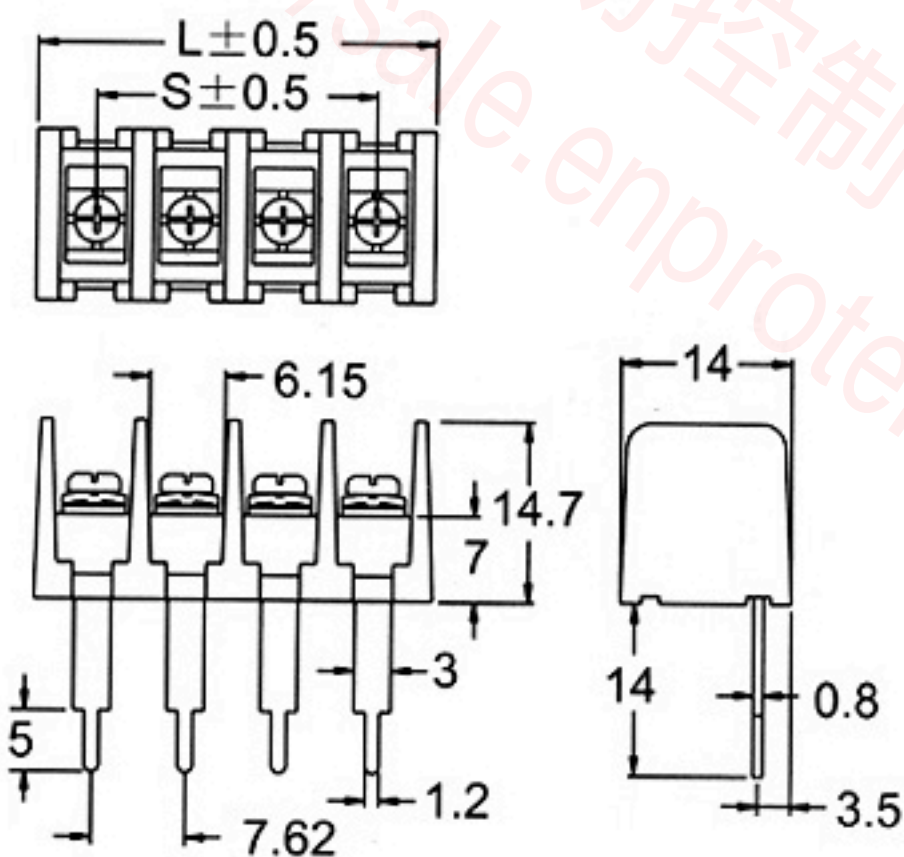
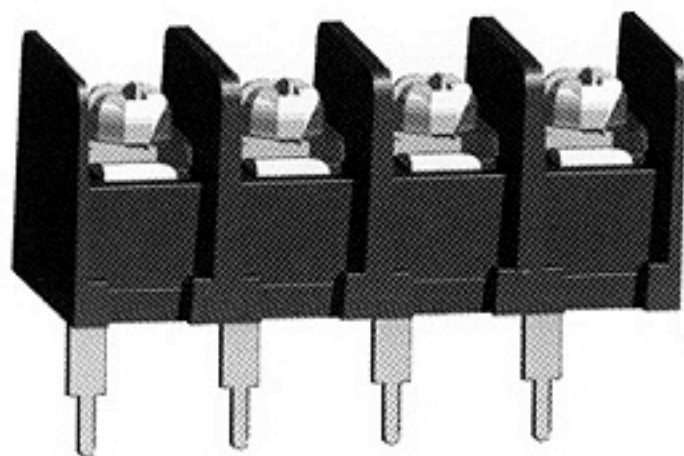
- .300" PCB Barrier Terminal Blocks
- Terminal style : S11
- Pitch : 7.62 mm



Poles	2	3	4	5	6	7	8	9	10	11	12	13	14	15	16
L(mm)	16.9	24.5	32.1	39.7	47.4	55.0	62.6	70.2	77.8	85.5	93.1	101	108	116	124
S(mm)	7.62	15.2	22.9	30.5	38.1	45.7	53.3	61.0	68.6	76.2	83.9	91.4	99.1	107	114
Poles	17	18	19	20	21	22	23	24	25	26	27	28	29	30	
L(mm)	131	139	146	154	162	170	177	185	192	200	207	215	223	230	
S(mm)	122	130	137	145	152	160	168	175	183	191	198	206	213	221	

- **Specification**

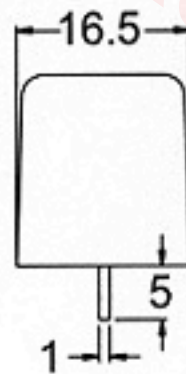
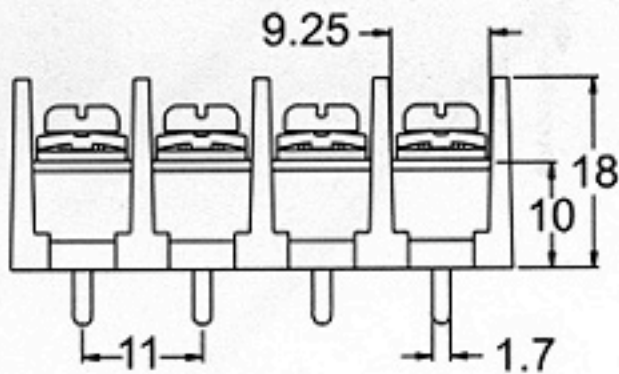
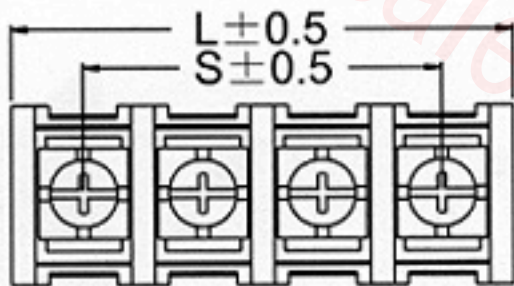
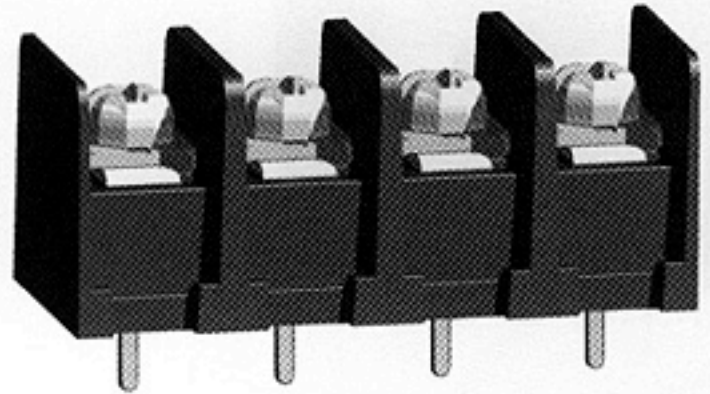
- .300" PCB Barrier Terminal Blocks
- Terminal style : S34
- Pitch : 7.62 mm



Poles	2	3	4	5	6	7	8	9	10	11	12	13	14	15	16
L(mm)	16.9	24.5	32.1	39.7	47.4	55.0	62.6	70.2	77.8	85.5	93.1	101	108	116	124
S(mm)	7.62	15.2	22.9	30.5	38.1	45.7	53.3	61.0	68.6	76.2	83.9	91.4	99.1	107	114
Poles	17	18	19	20	21	22	23	24	25	26	27	28	29	30	
L(mm)	131	139	146	154	162	170	177	185	192	200	207	215	223	230	
S(mm)	122	130	137	145	152	160	168	175	183	191	198	206	213	221	

- **Sepecification**

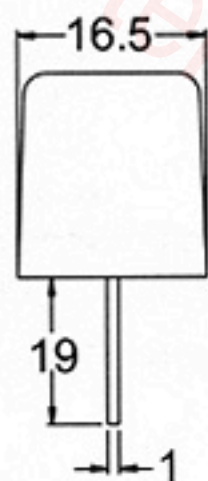
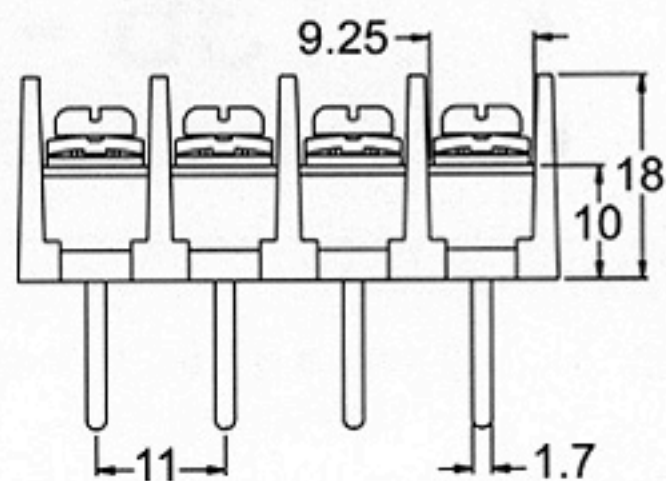
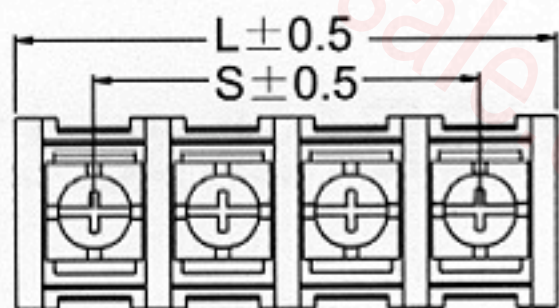
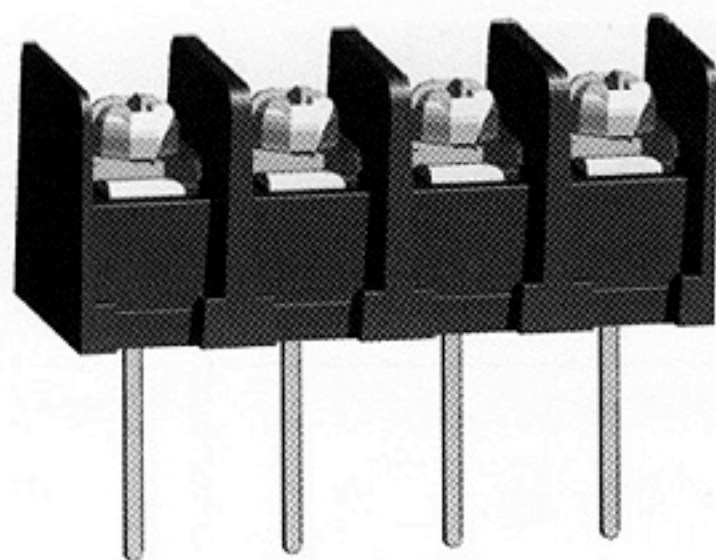
- .433" PCB Barrier Terminal Blocks
- Terminal style : M11
- Pitch : 11.00 mm



Poles	2	3	4	5	6	7	8	9	10	11	12	13	14	15	16
L(mm)	24.7	35.7	46.7	57.7	68.7	79.7	90.7	102	113	124	135	146	157	168	179
S(mm)	11.0	22.0	33.0	44.0	55.0	66.0	77.0	88.0	99.0	110	121	132	143	154	165
Poles	17	18	19	20	21	22	23	24	25	26	27	28	29	30	
L(mm)	190	201	212	223	234	245	256	267	278	289	300	311	322	333	
S(mm)	176	187	198	209	220	231	242	253	264	275	286	297	308	319	

- **Sepecification**

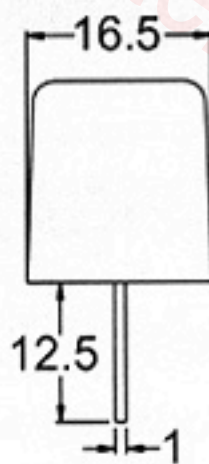
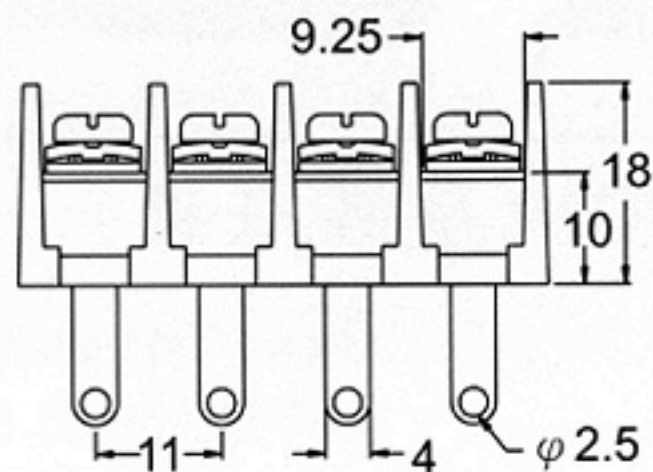
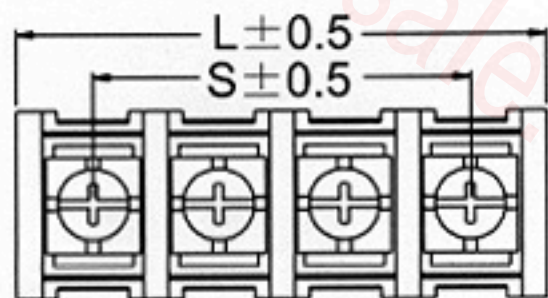
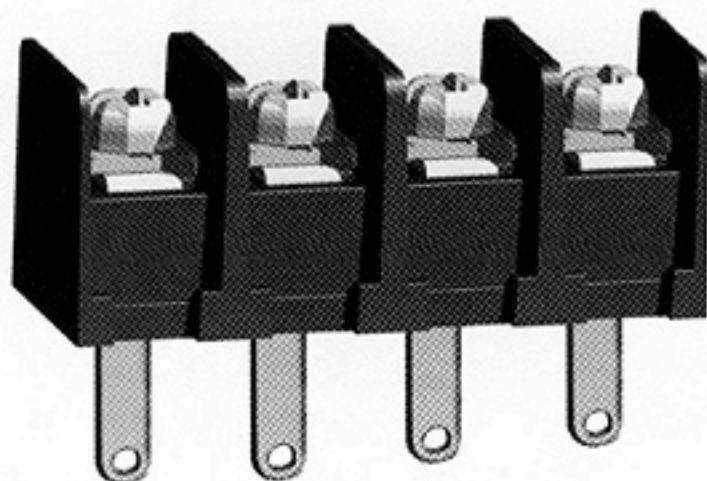
- .433" PCB Barrier Terminal Blocks
- Terminal style : M14
- Pitch : 11.00 mm



Poles	2	3	4	5	6	7	8	9	10	11	12	13	14	15	16
L(mm)	24.7	35.7	46.7	57.7	68.7	79.7	90.7	102	113	124	135	146	157	168	179
S(mm)	11.0	22.0	33.0	44.0	55.0	66.0	77.0	88.0	99.0	110	121	132	143	154	165
Poles	17	18	19	20	21	22	23	24	25	26	27	28	29	30	
L(mm)	190	201	212	223	234	245	256	267	278	289	300	311	322	333	
S(mm)	176	187	198	209	220	231	242	253	264	275	286	297	308	319	

- **Specification**

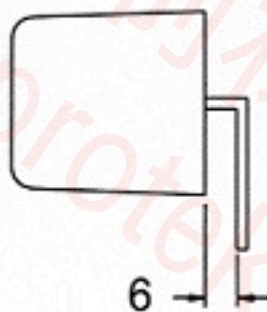
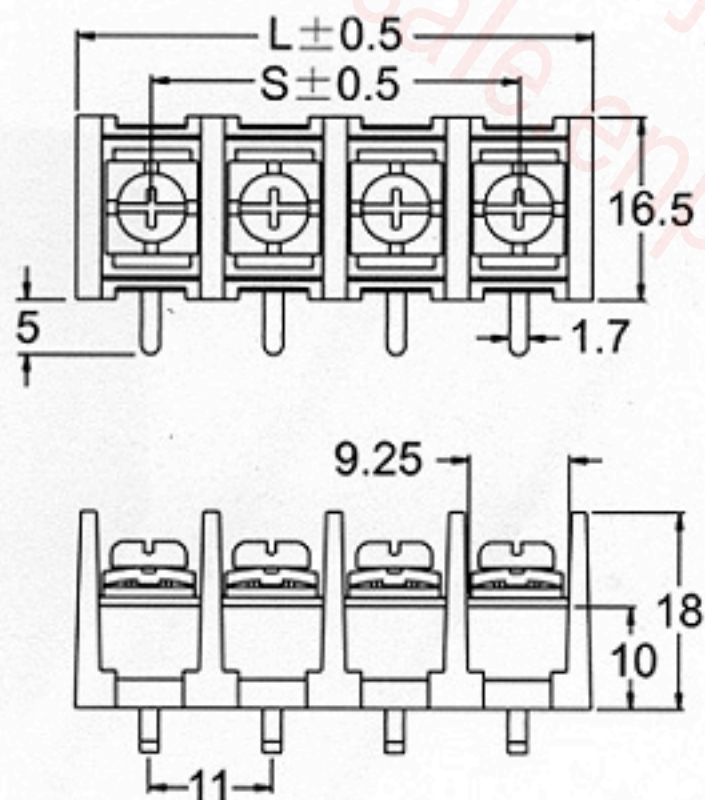
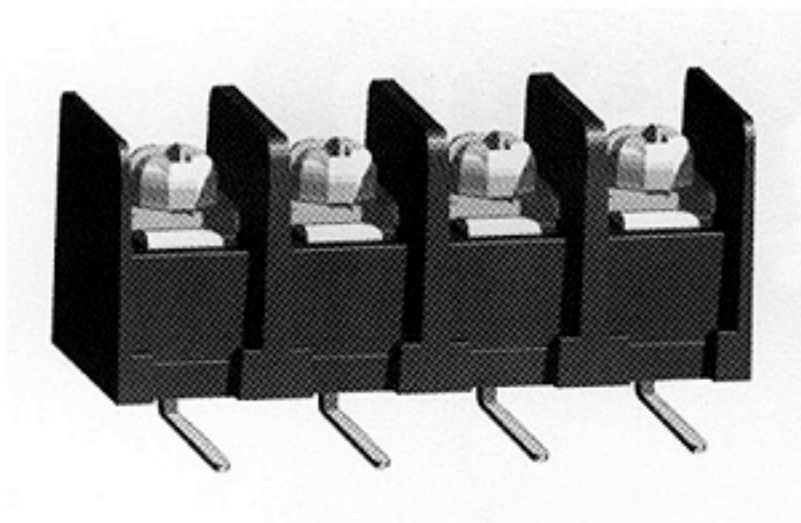
- .433" PCB Barrier Terminal Blocks
- Terminal style : M61
- Pitch : 11.00 mm



Poles	2	3	4	5	6	7	8	9	10	11	12	13	14	15	16
L(mm)	24.7	35.7	46.7	57.7	68.7	79.7	90.7	102	113	124	135	146	157	168	179
S(mm)	11.0	22.0	33.0	44.0	55.0	66.0	77.0	88.0	99.0	110	121	132	143	154	165
Poles	17	18	19	20	21	22	23	24	25	26	27	28	29	30	
L(mm)	190	201	212	223	234	245	256	267	278	289	300	311	322	333	
S(mm)	176	187	198	209	220	231	242	253	264	275	286	297	308	319	

- **Specification**

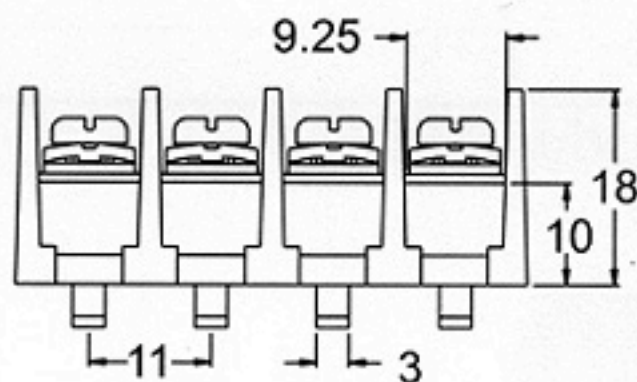
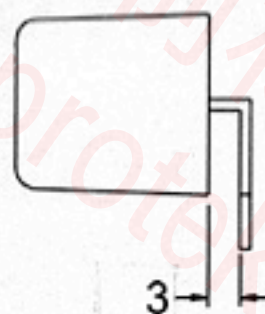
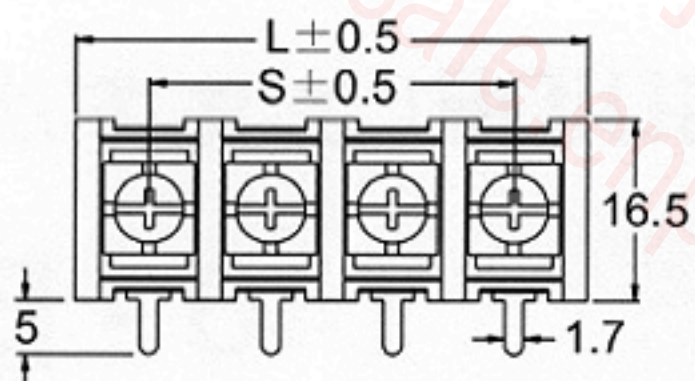
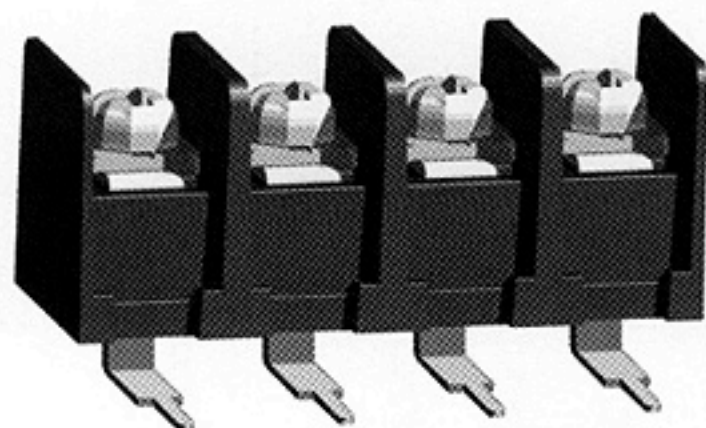
- .433" PCB Barrier Terminal Blocks
- Terminal style : O14
- Pitch : 11.00 mm



Poles	2	3	4	5	6	7	8	9	10	11	12	13	14	15	16
L(mm)	24.7	35.7	46.7	57.7	68.7	79.7	90.7	102	113	124	135	146	157	168	179
S(mm)	11.0	22.0	33.0	44.0	55.0	66.0	77.0	88.0	99.0	110	121	132	143	154	165
Poles	17	18	19	20	21	22	23	24	25	26	27	28	29	30	
L(mm)	190	201	212	223	234	245	256	267	278	289	300	311	322	333	
S(mm)	176	187	198	209	220	231	242	253	264	275	286	297	308	319	

- **Sepecification**

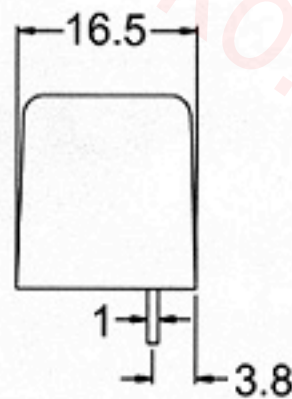
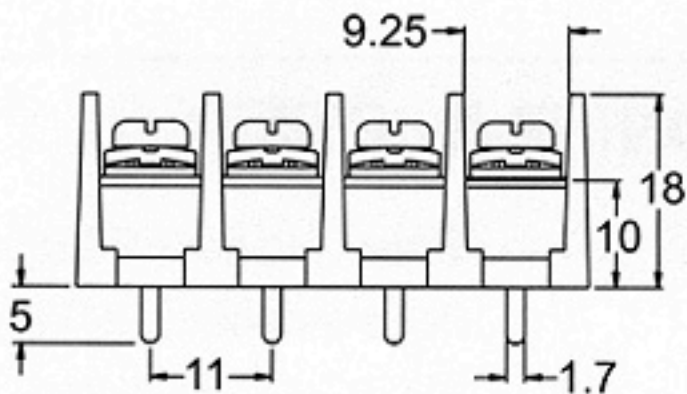
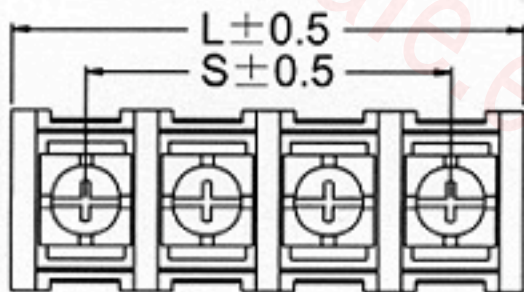
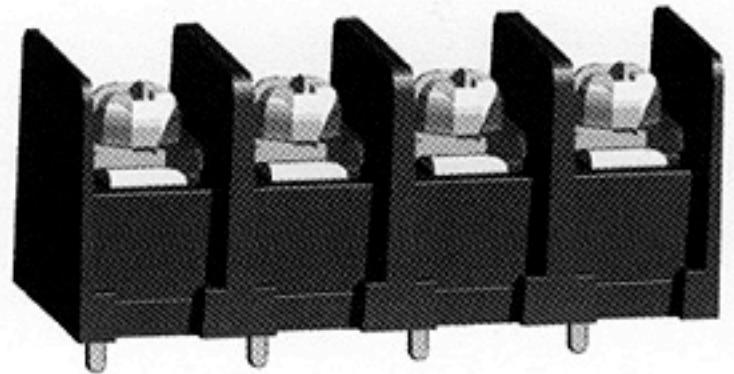
- .433" PCB Barrier Terminal Blocks
- Terminal style : O31
- Pitch : 11.00 mm



Poles	2	3	4	5	6	7	8	9	10	11	12	13	14	15	16
L(mm)	24.7	35.7	46.7	57.7	68.7	79.7	90.7	102	113	124	135	146	157	168	179
S(mm)	11.0	22.0	33.0	44.0	55.0	66.0	77.0	88.0	99.0	110	121	132	143	154	165
Poles	17	18	19	20	21	22	23	24	25	26	27	28	29	30	
L(mm)	190	201	212	223	234	245	256	267	278	289	300	311	322	333	
S(mm)	176	187	198	209	220	231	242	253	264	275	286	297	308	319	

- **Specification**

- .433" PCB Barrier Terminal Blocks
- Terminal style : S11
- Pitch : 11.00 mm



Poles	2	3	4	5	6	7	8	9	10	11	12	13	14	15	16
L(mm)	24.7	35.7	46.7	57.7	68.7	79.7	90.7	102	113	124	135	146	157	168	179
S(mm)	11.0	22.0	33.0	44.0	55.0	66.0	77.0	88.0	99.0	110	121	132	143	154	165
Poles	17	18	19	20	21	22	23	24	25	26	27	28	29	30	
L(mm)	190	201	212	223	234	245	256	267	278	289	300	311	322	333	
S(mm)	176	187	198	209	220	231	242	253	264	275	286	297	308	319	