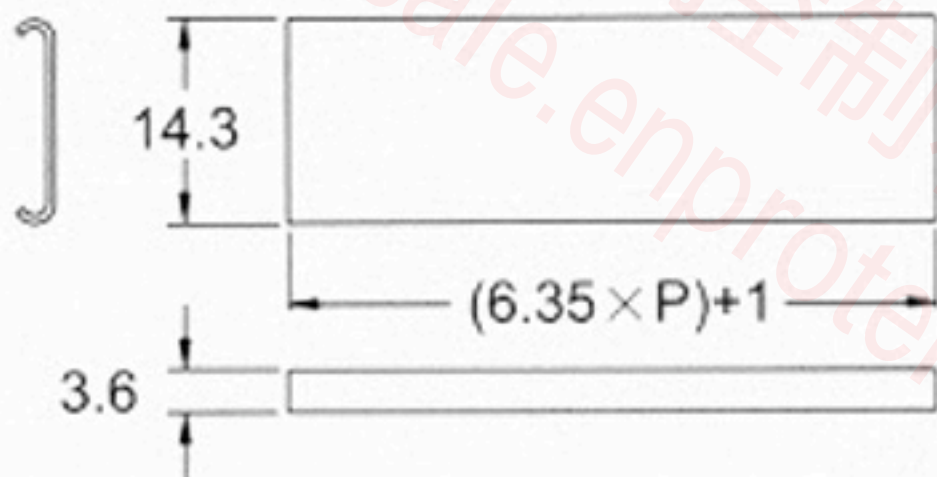


- **Specification**

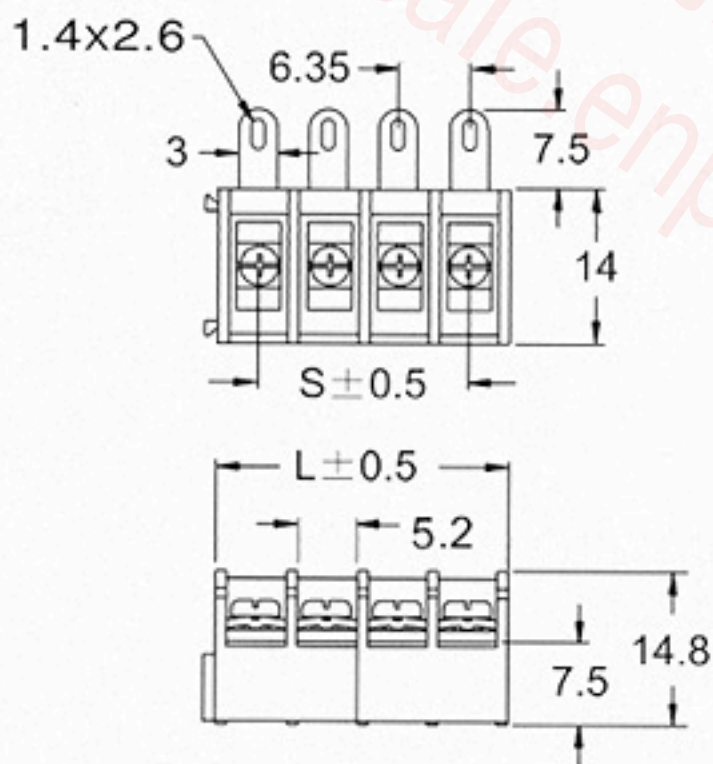
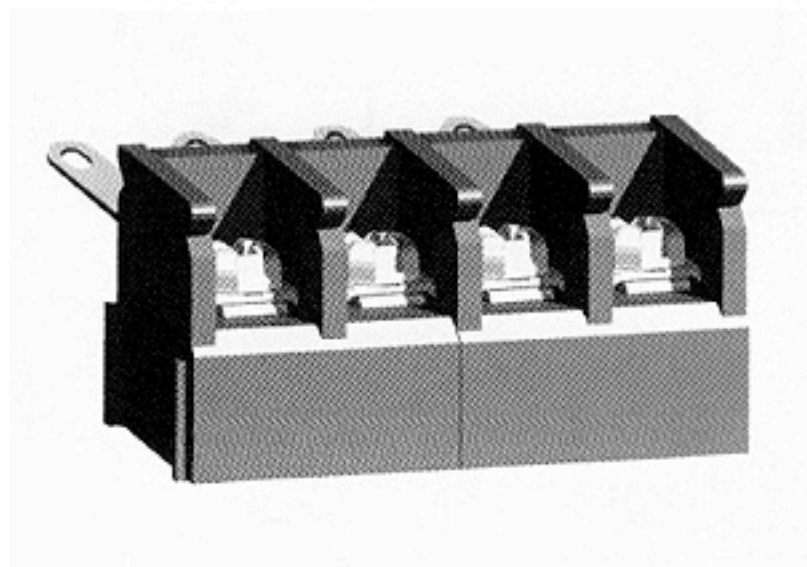
- .250" PCB Barrier Terminal Blocks
- Pitch : 6.35 mm



T40MBS11-02		2 pole modular
T40MBS11-03		3 pole modular
T40MRS11-02		2 pole modular w/o wall (right side)
T40MRS11-03		3 pole modular w/o wall (right side)
T30M-R01		mounting hole
BC40M-□□		clear cover

- **Specification**

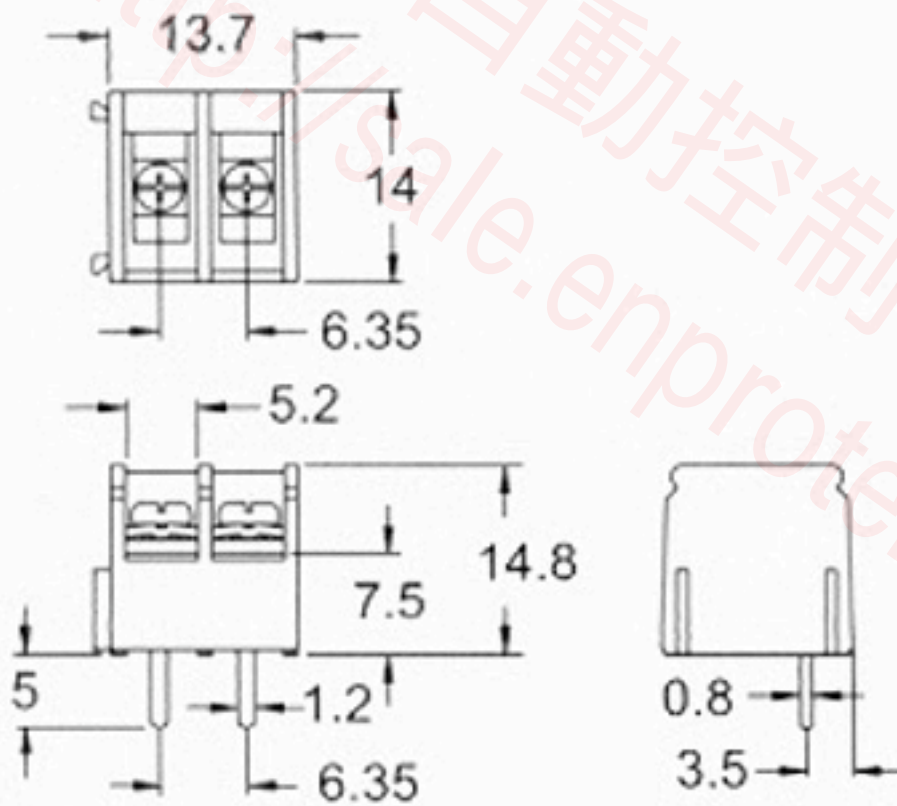
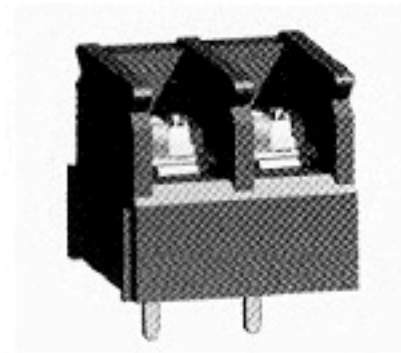
- .250" PCB Barrier Terminal Blocks
- Terminal style : B27
- Pitch : 6.35 mm



Poles	2	3	4	5	6	7	8	9	10	11	12	13	14	15	16
L(mm)	13.7	20.1	26.4	33.3	39.1	45.5	51.8	58.2	64.5	70.9	77.2	83.6	89.9	96.3	103
S(mm)	6.35	12.7	19.1	25.4	31.8	38.1	44.5	50.8	57.2	63.5	69.9	76.2	82.6	88.9	95.3
Poles	17	18	19	20	21	22	23	24	25	26	27	28	29	30	
L(mm)	109	115	122	128	134	141	147	153	160	166	173	179	185	192	
S(mm)	102	108	114	121	127	133	140	146	152	159	165	171	178	184	

- **Specification**

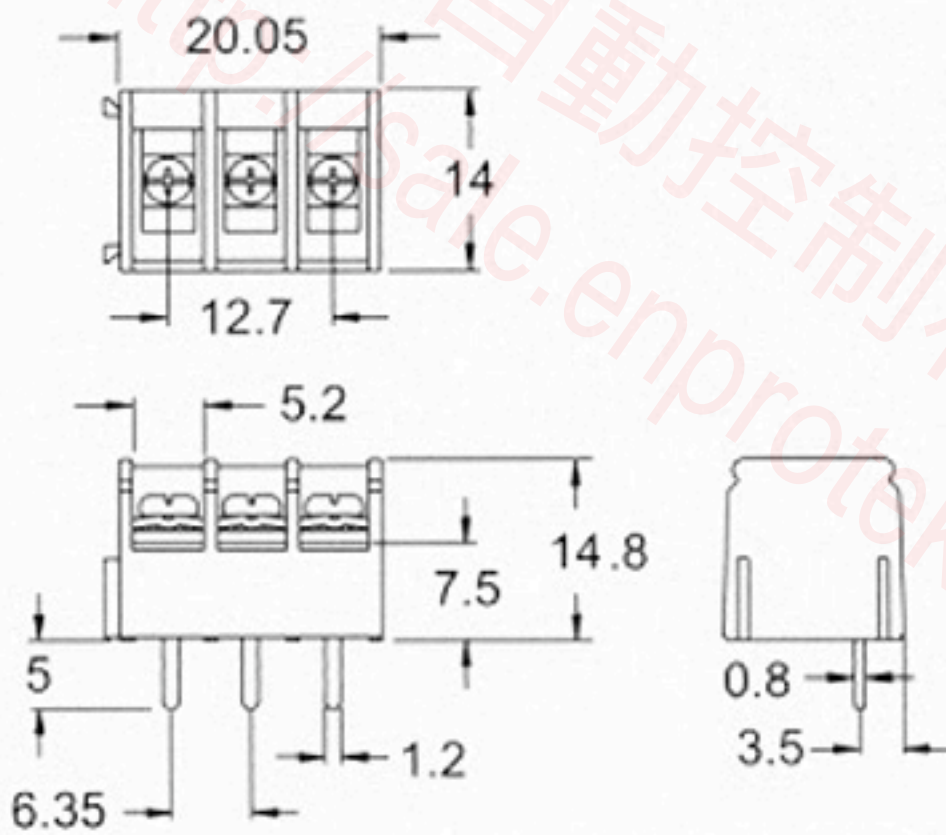
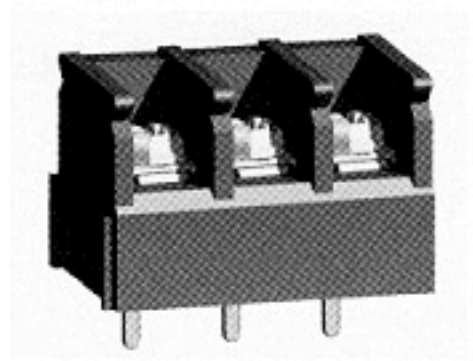
- .250" PCB Barrier Terminal Blocks
- Pitch : 6.35 mm



T40MBS11-02		2 pole modular
T40MBS11-03		3 pole modular
T40MRS11-02		2 pole modular w/o wall (right side)
T40MRS11-03		3 pole modular w/o wall (right side)
T30M-R01		mounting hole
BC40M-□□		clear cover

- **Specification**

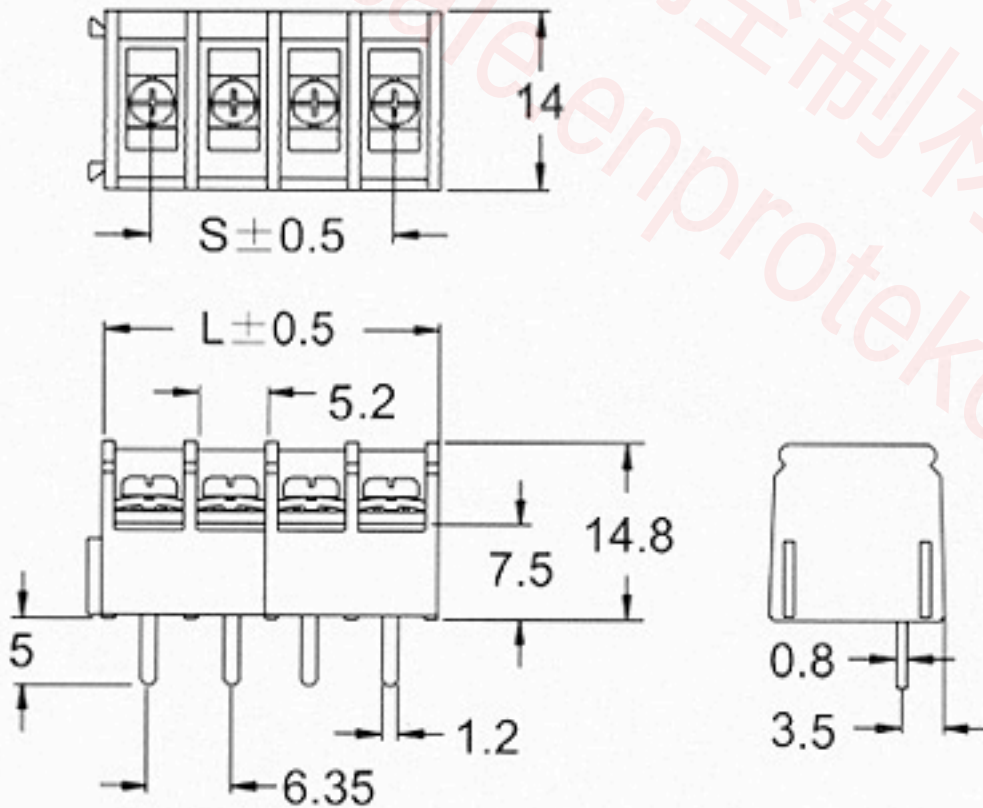
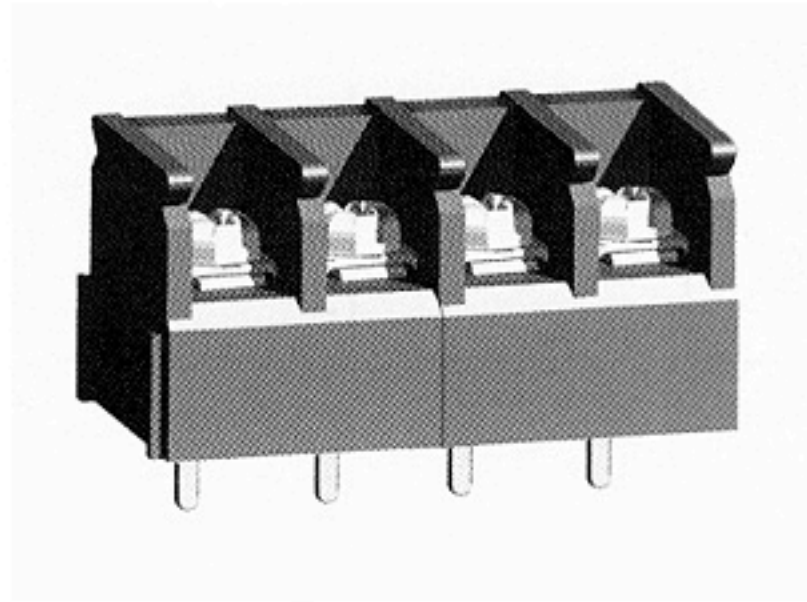
- .250" PCB Barrier Terminal Blocks
- Pitch : 6.35 mm



T40MBS11-02		2 pole modular
T40MBS11-03		3 pole modular
T40MRS11-02		2 pole modular w/o wall (right side)
T40MRS11-03		3 pole modular w/o wall (right side)
T30M-R01		mounting hole
BC40M-□□		clear cover

- **Specification**

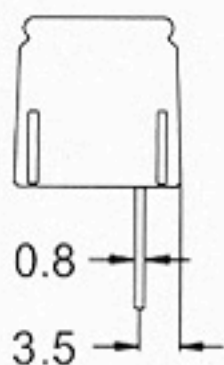
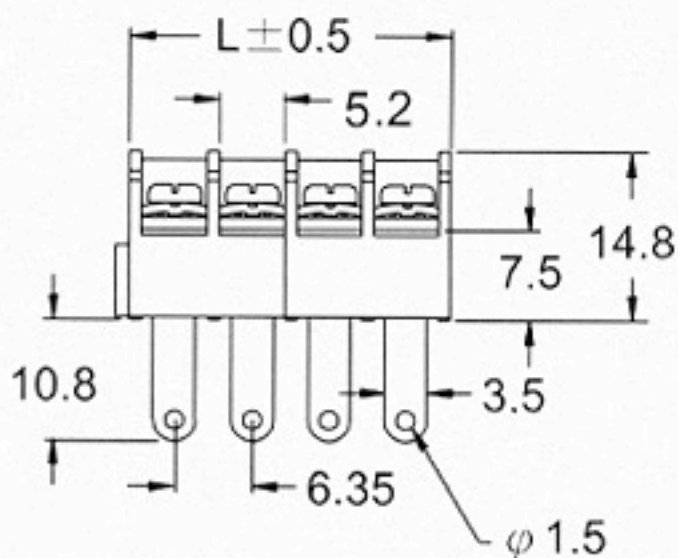
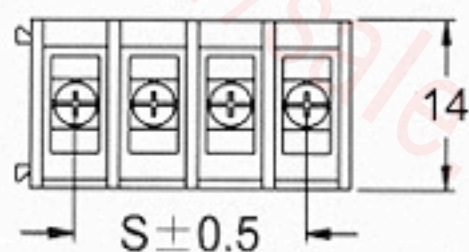
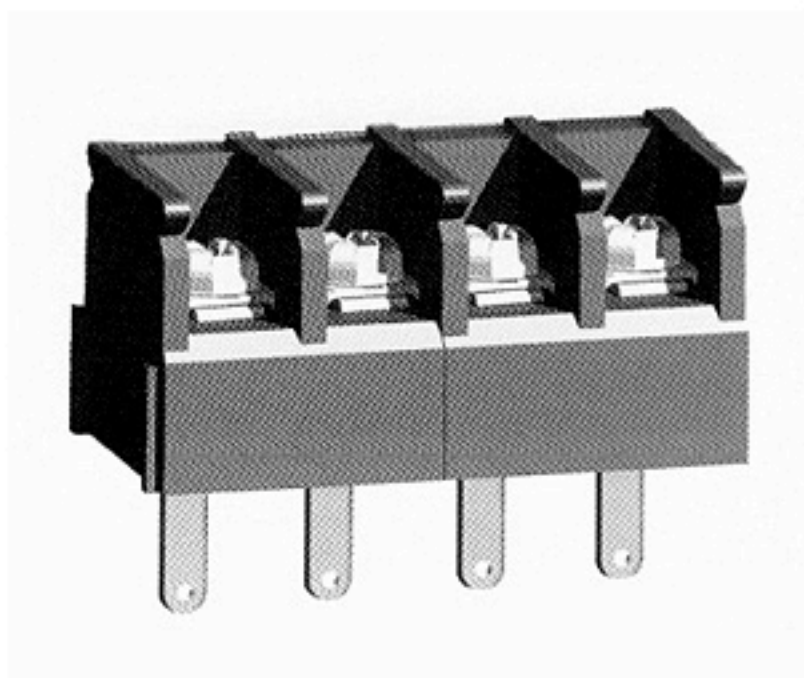
- .250" PCB Barrier Terminal Blocks
- Terminal style : S11
- Pitch : 6.35 mm



Poles	2	3	4	5	6	7	8	9	10	11	12	13	14	15	16
L(mm)	13.7	20.1	26.4	33.3	39.1	45.5	51.8	58.2	64.5	70.9	77.2	83.6	89.9	96.3	103
S(mm)	6.35	12.7	19.1	25.4	31.8	38.1	44.5	50.8	57.2	63.5	69.9	76.2	82.6	88.9	95.3
Poles	17	18	19	20	21	22	23	24	25	26	27	28	29	30	
L(mm)	109	115	122	128	134	141	147	153	160	166	173	179	185	192	
S(mm)	102	108	114	121	127	133	140	146	152	159	165	171	178	184	

- **Specification**

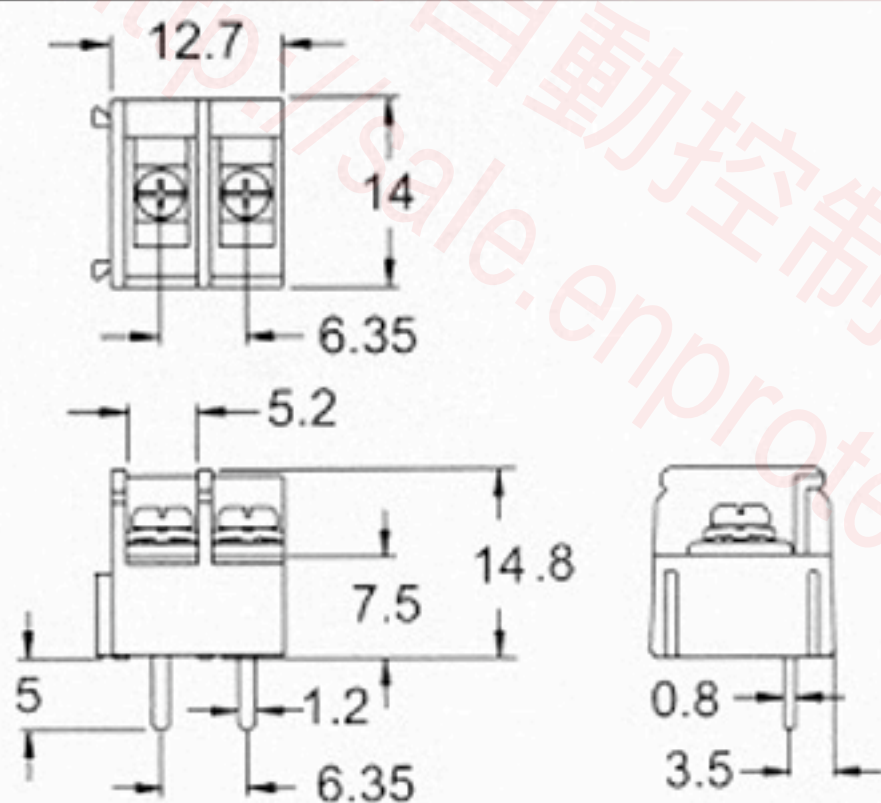
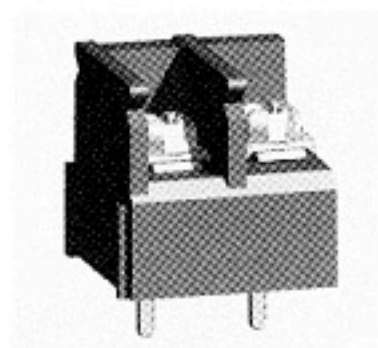
- .250" PCB Barrier Terminal Blocks
- Terminal style : S64
- Pitch : 6.35 mm



Poles	2	3	4	5	6	7	8	9	10	11	12	13	14	15	16
L(mm)	13.7	20.1	26.4	33.3	39.1	45.5	51.8	58.2	64.5	70.9	77.2	83.6	89.9	96.3	103
S(mm)	6.35	12.7	19.1	25.4	31.8	38.1	44.5	50.8	57.2	63.5	69.9	76.2	82.6	88.9	95.3
Poles	17	18	19	20	21	22	23	24	25	26	27	28	29	30	
L(mm)	109	115	122	128	134	141	147	153	160	166	173	179	185	192	
S(mm)	102	108	114	121	127	133	140	146	152	159	165	171	178	184	

- **Specification**

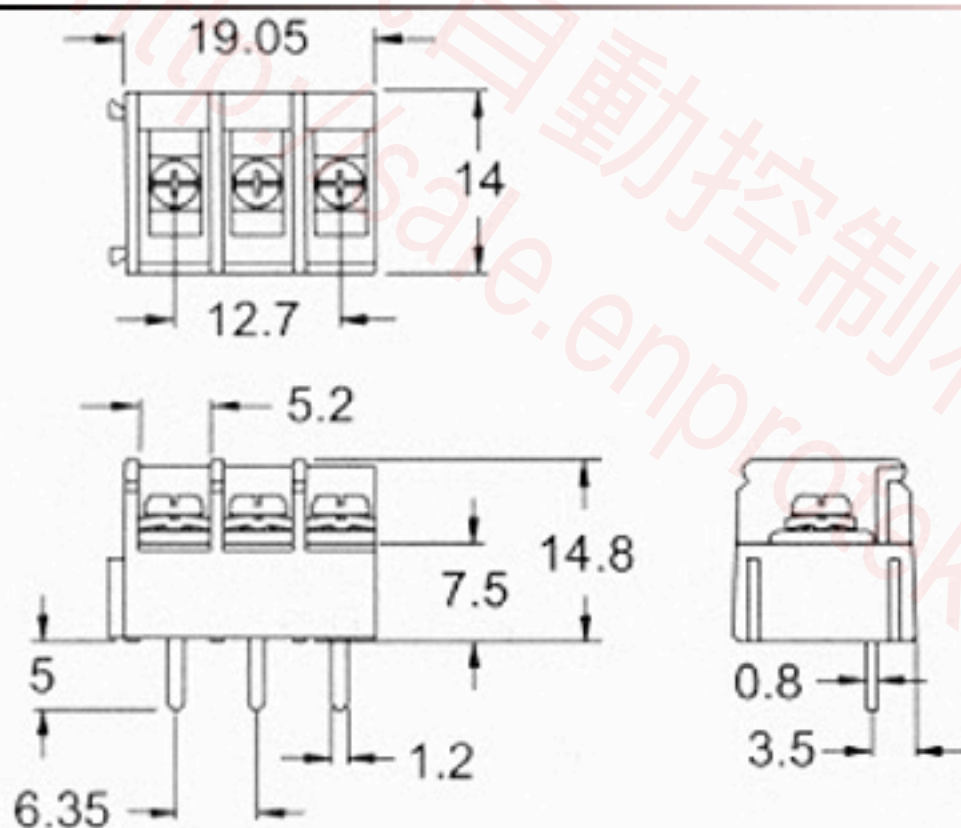
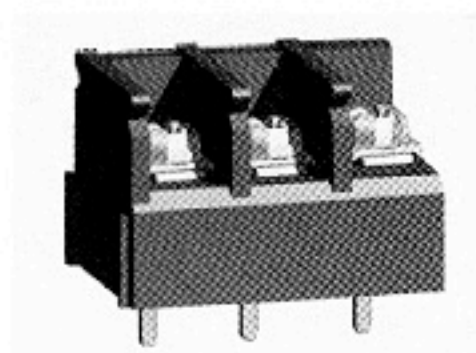
- .250" PCB Barrier Terminal Blocks
- Pitch : 6.35 mm



T40MBS11-02		2 pole modular
T40MBS11-03		3 pole modular
T40MRS11-02		2 pole modular w/o wall (right side)
T40MRS11-03		3 pole modular w/o wall (right side)
T30M-R01		mounting hole
BC40M-□□		clear cover

- **Specification**

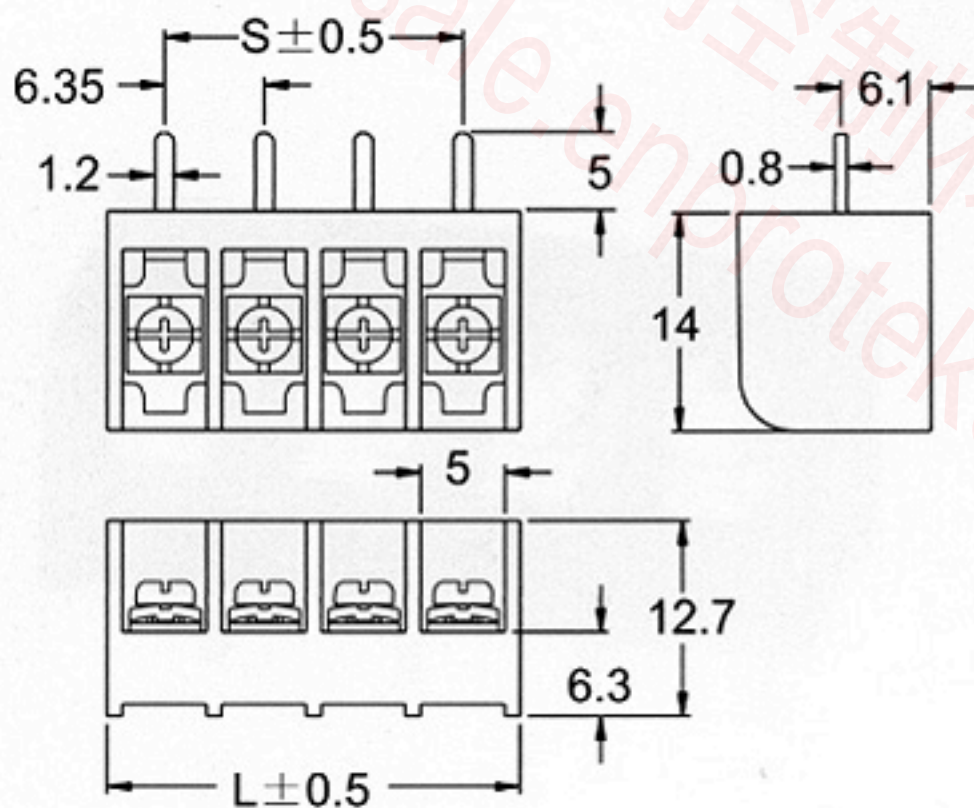
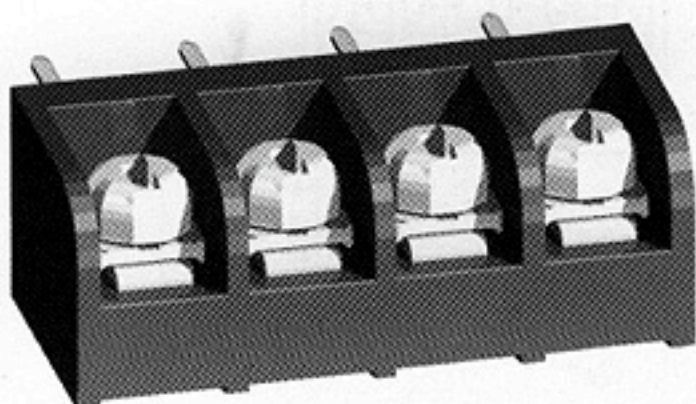
- .250" PCB Barrier Terminal Blocks
- Pitch : 6.35 mm



T40MBS11-02		2 pole modular
T40MBS11-03		3 pole modular
T40MRS11-02		2 pole modular w/o wall (right side)
T40MRS11-03		3 pole modular w/o wall (right side)
T30M-R01		mounting hole
BC40M-□□		clear cover

- **Specification**

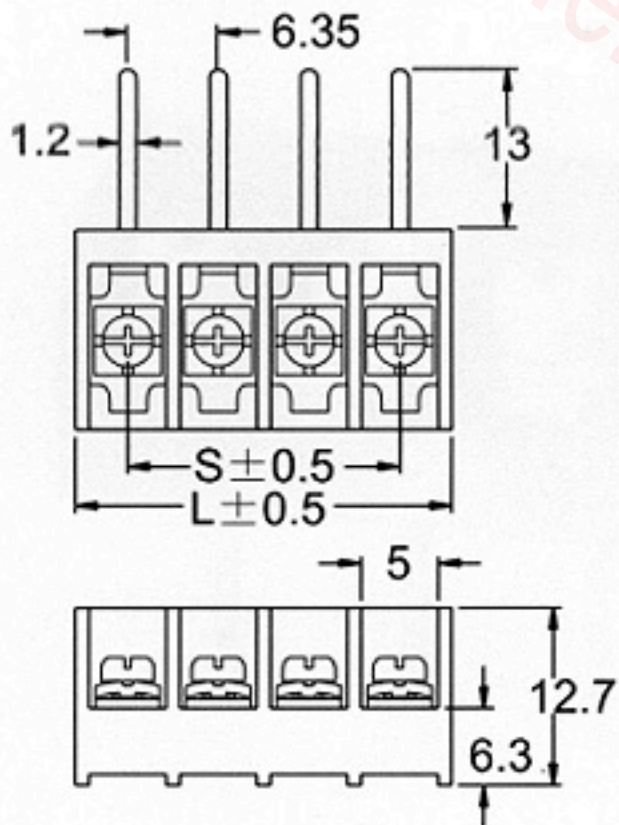
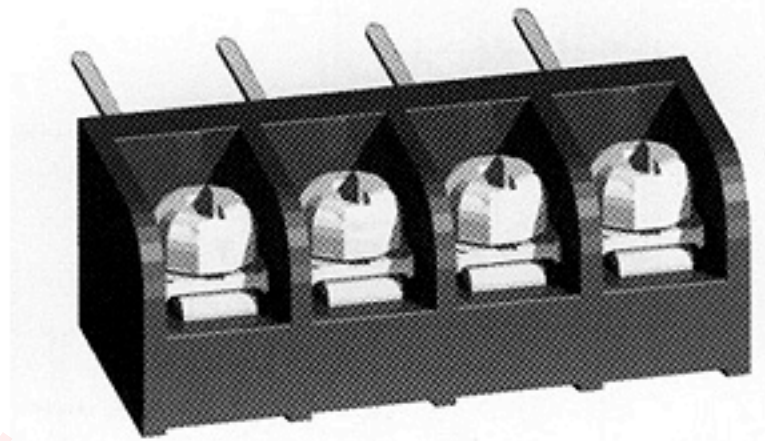
- .250" PCB Barrier Terminal Blocks
- Terminal style : B11
- Pitch : 6.35 mm



Poles	2	3	4	5	6	7	8	9	10	11	12	13	14	15	16
L(mm)	13.9	20.3	26.6	33.0	39.3	45.7	52	58.4	64.7	71.1	77.4	83.8	90.1	96.5	103
S(mm)	6.35	12.7	19.1	25.4	31.8	38.1	44.5	50.8	57.2	63.5	69.9	76.2	82.6	88.9	95.3
Poles	17	18	19	20	21	22	23	24	25	26	27	28	29	30	
L(mm)	109	116	122	128	135	141	147	154	160	166	173	179	185	192	
S(mm)	102	108	114	121	127	133	140	146	152	159	165	172	178	184	

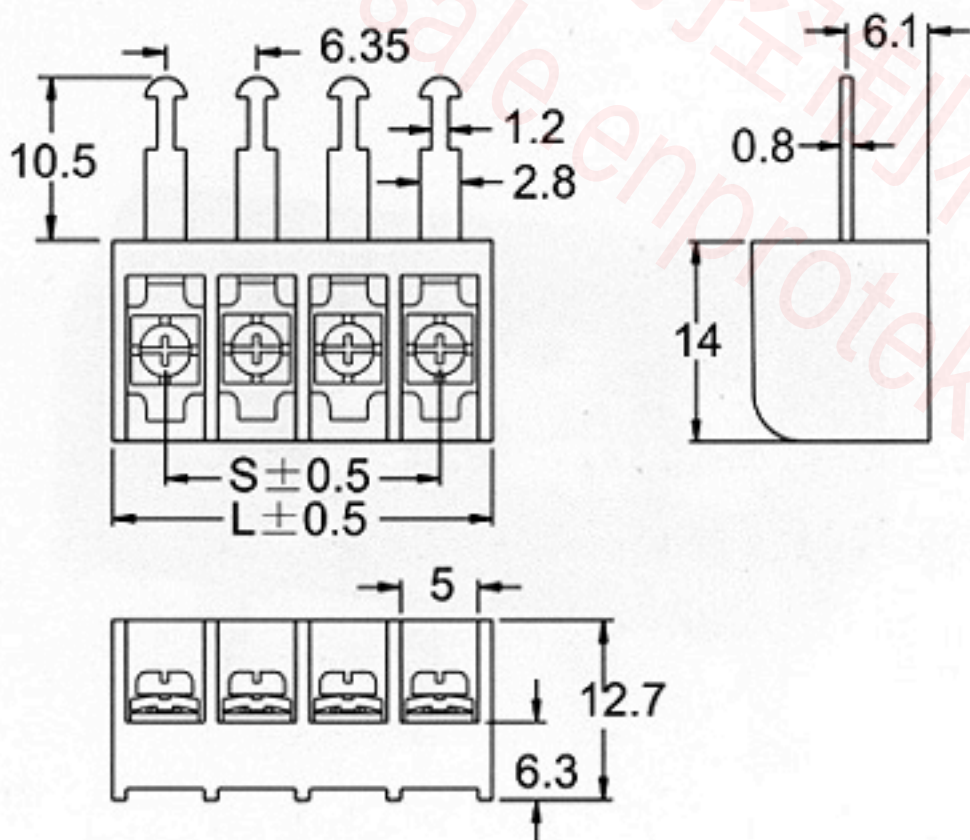
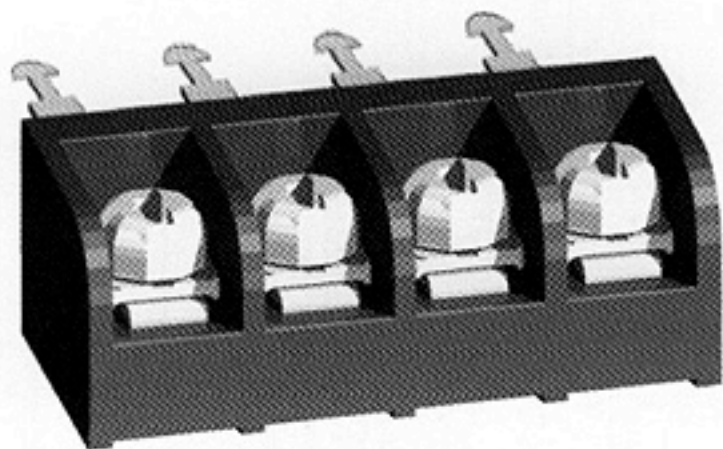
● Specification

- .250" PCB Barrier Terminal Blocks
- Terminal style : B13
- Pitch : 6.35 mm



- **Specification**

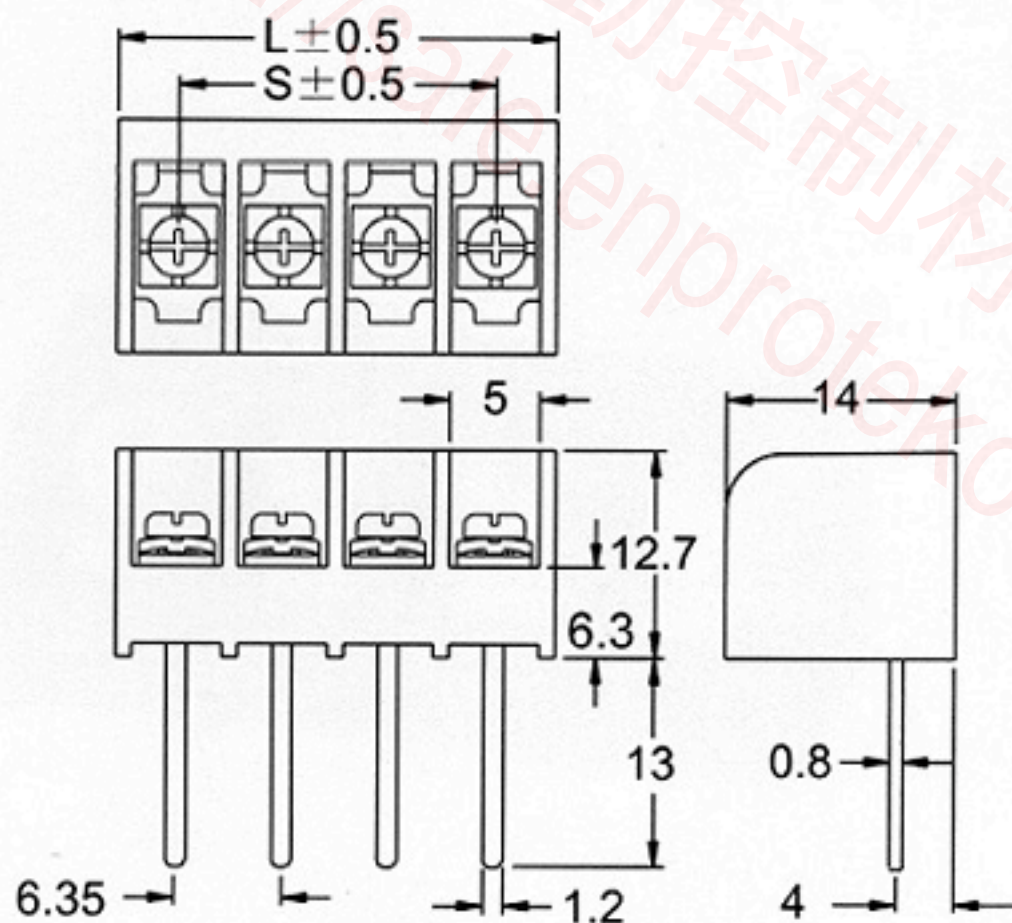
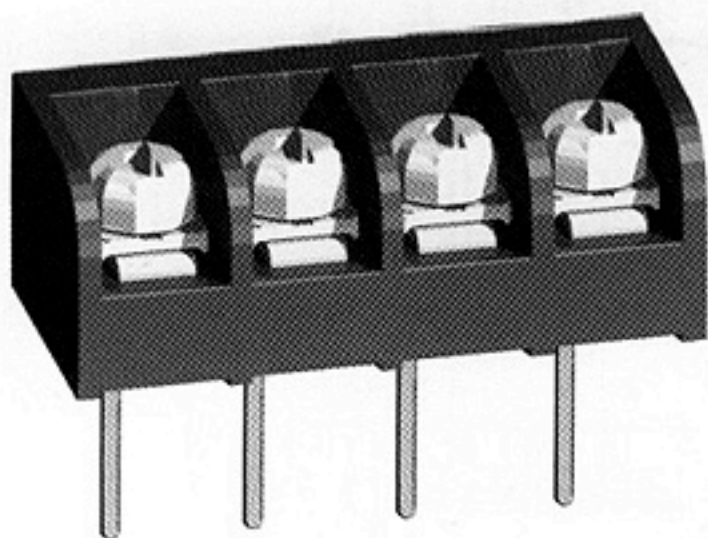
- .250" PCB Barrier Terminal Blocks
- Terminal style : B41
- Pitch : 6.35 mm



Poles	2	3	4	5	6	7	8	9	10	11	12	13	14	15	16
L(mm)	13.9	20.3	26.6	33.0	39.3	45.7	52	58.4	64.7	71.1	77.4	83.8	90.1	96.5	103
S(mm)	6.35	12.7	19.1	25.4	31.8	38.1	44.5	50.8	57.2	63.5	69.9	76.2	82.6	88.9	95.3
Poles	17	18	19	20	21	22	23	24	25	26	27	28	29	30	
L(mm)	109	116	122	128	135	141	147	154	160	166	173	179	185	192	
S(mm)	102	108	114	121	127	133	140	146	152	159	165	172	178	184	

- **Specification**

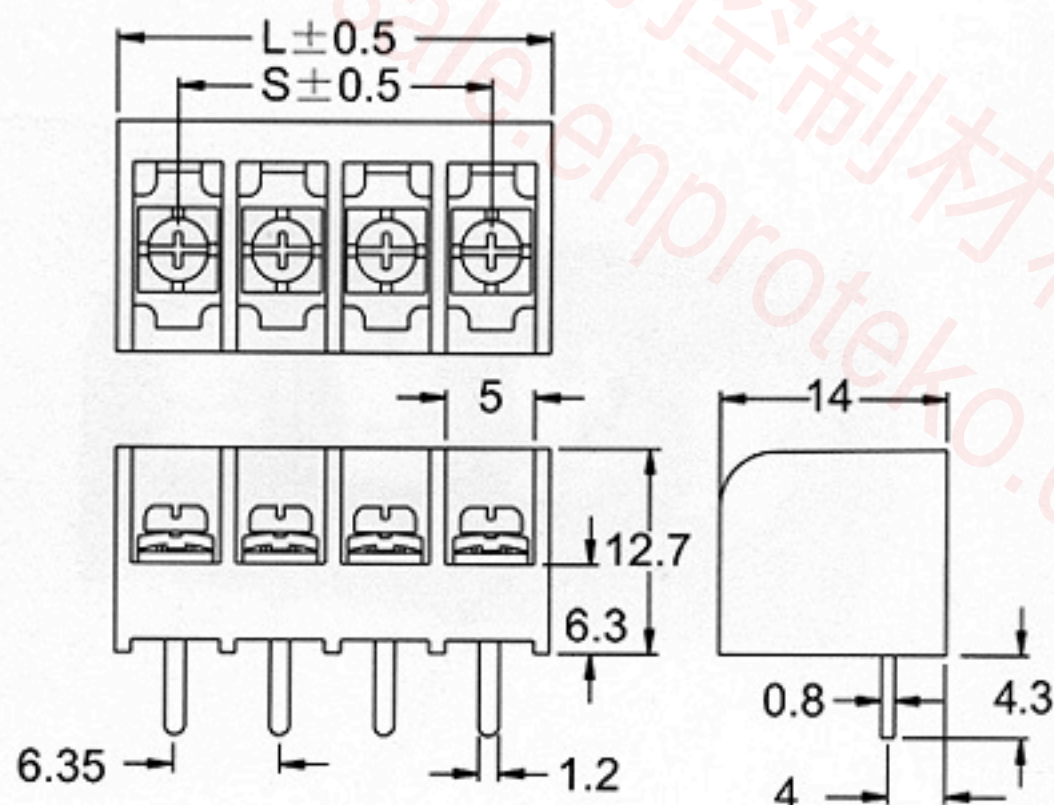
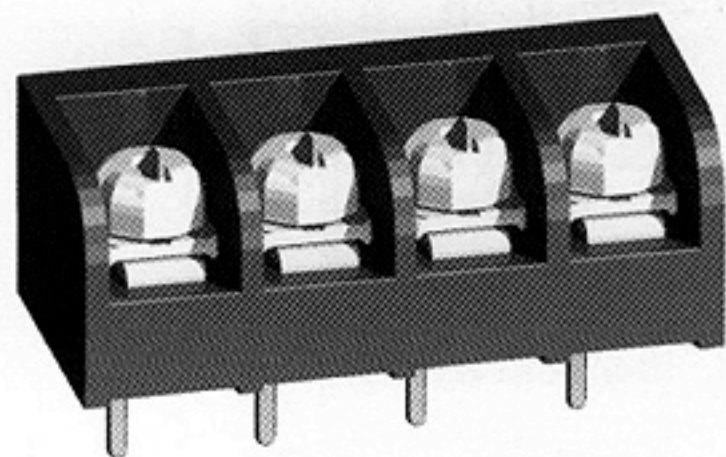
- .250" PCB Barrier Terminal Blocks
- Terminal style : S13
- Pitch : 6.35 mm



Poles	2	3	4	5	6	7	8	9	10	11	12	13	14	15	16
L(mm)	13.9	20.3	26.6	33.0	39.3	45.7	52	58.4	64.7	71.1	77.4	83.8	90.1	96.5	103
S(mm)	6.35	12.7	19.1	25.4	31.8	38.1	44.5	50.8	57.2	63.5	69.9	76.2	82.6	88.9	95.3
Poles	17	18	19	20	21	22	23	24	25	26	27	28	29	30	
L(mm)	109	116	122	128	135	141	147	154	160	166	173	179	185	192	
S(mm)	102	108	114	121	127	133	140	146	152	159	165	172	178	184	

- **Specification**

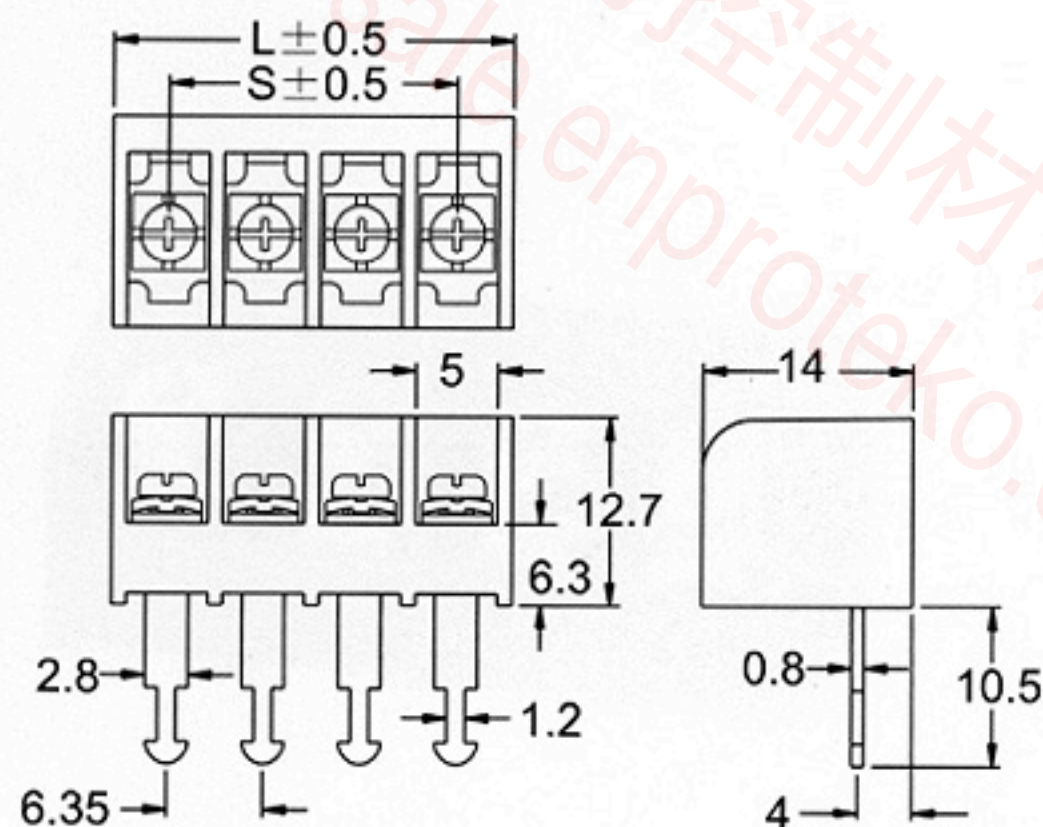
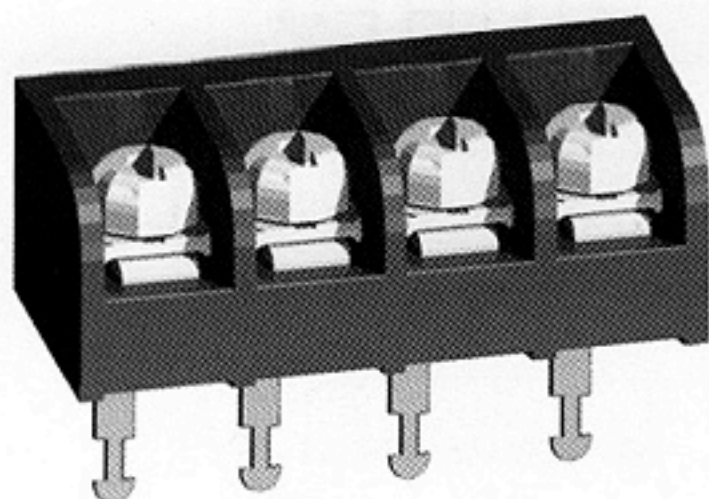
- .250" PCB Barrier Terminal Blocks
- Terminal style : S16
- Pitch : 6.35 mm



Poles	2	3	4	5	6	7	8	9	10	11	12	13	14	15	16
L(mm)	13.9	20.3	26.6	33.0	39.3	45.7	52	58.4	64.7	71.1	77.4	83.8	90.1	96.5	103
S(mm)	6.35	12.7	19.1	25.4	31.8	38.1	44.5	50.8	57.2	63.5	69.9	76.2	82.6	88.9	95.3
Poles	17	18	19	20	21	22	23	24	25	26	27	28	29	30	
L(mm)	109	116	122	128	135	141	147	154	160	166	173	179	185	192	
S(mm)	102	108	114	121	127	133	140	146	152	159	165	172	178	184	

- **Specification**

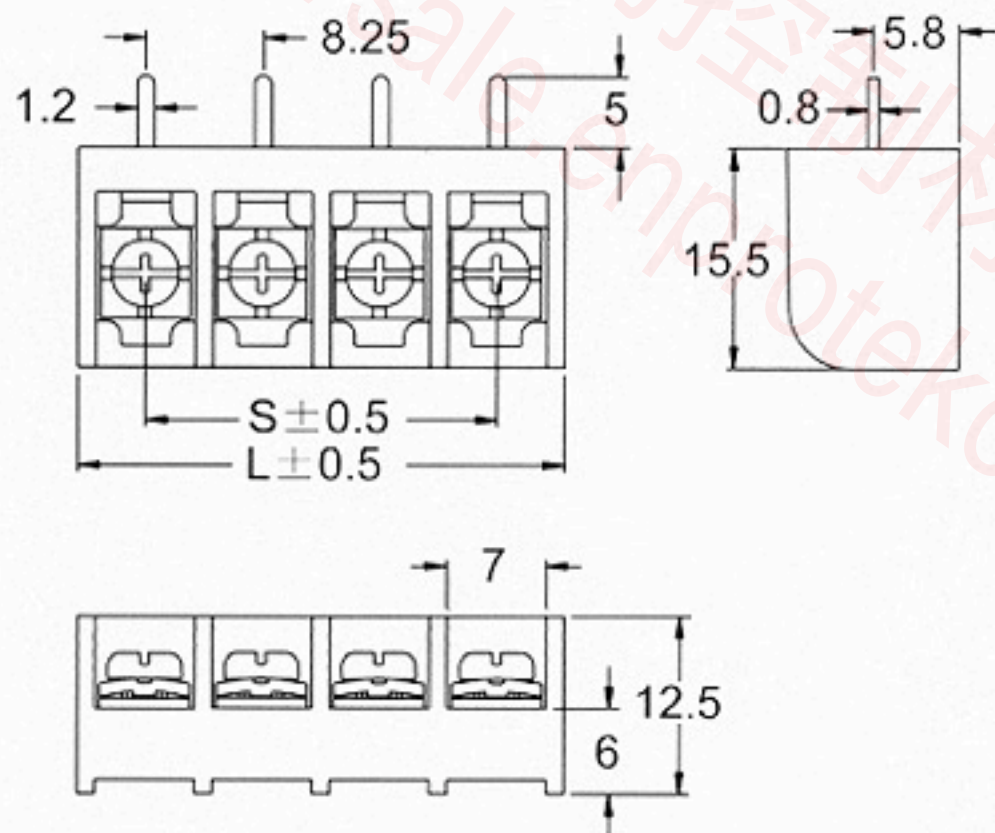
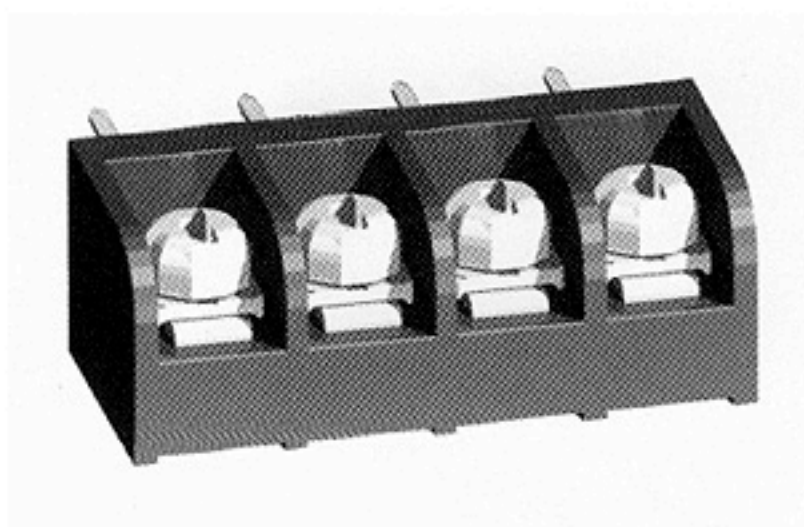
- .250" PCB Barrier Terminal Blocks
- Terminal style : S41
- Pitch : 6.35 mm



Poles	2	3	4	5	6	7	8	9	10	11	12	13	14	15	16
L(mm)	13.9	20.3	26.6	33.0	39.3	45.7	52	58.4	64.7	71.1	77.4	83.8	90.1	96.5	103
S(mm)	6.35	12.7	19.1	25.4	31.8	38.1	44.5	50.8	57.2	63.5	69.9	76.2	82.6	88.9	95.3
Poles	17	18	19	20	21	22	23	24	25	26	27	28	29	30	
L(mm)	109	116	122	128	135	141	147	154	160	166	173	179	185	192	
S(mm)	102	108	114	121	127	133	140	146	152	159	165	172	178	184	

- **Specification**

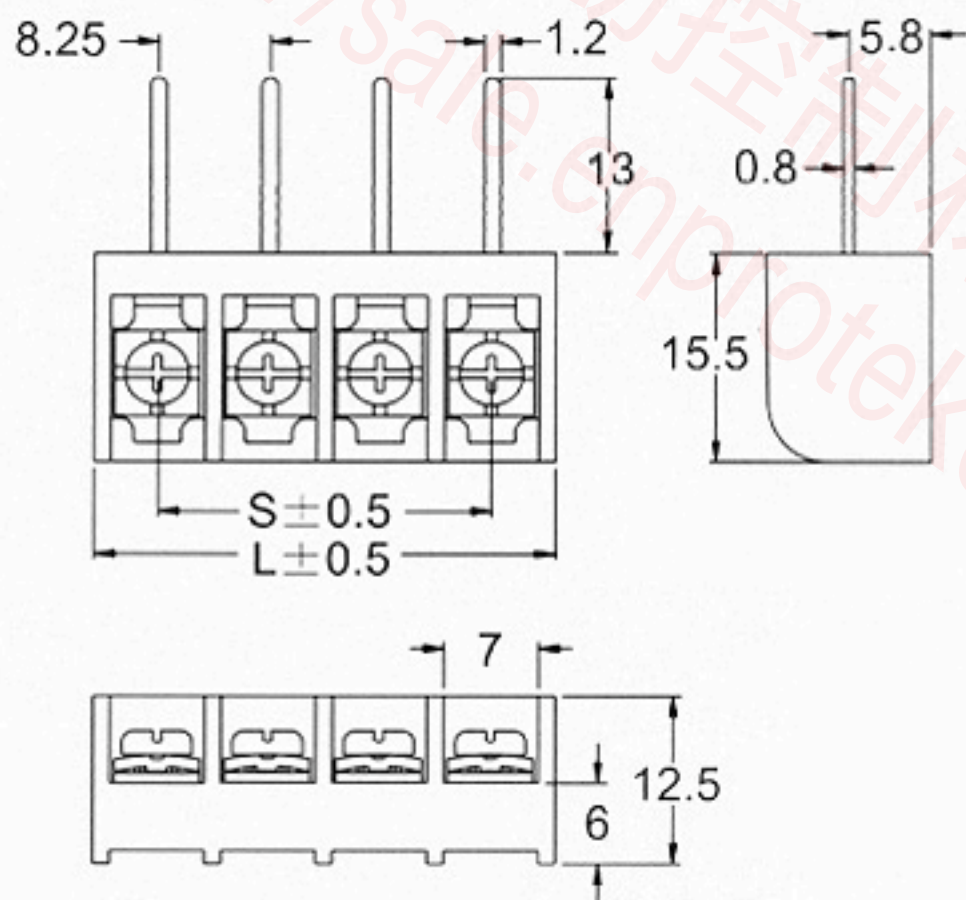
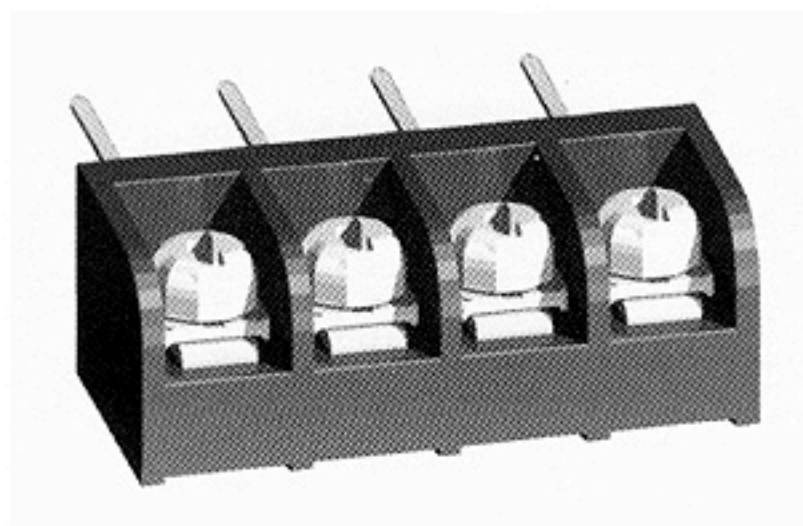
- .325" PCB Barrier Terminal Blocks
- Terminal style : B11
- Pitch : 8.25 mm



Poles	2	3	4	5	6	7	8	9	10	11	12	13	14	15	16
L(mm)	17.7	26.0	34.2	42.5	50.7	59.0	67.2	75.5	83.7	92.0	100	108	117	125	133
S(mm)	8.25	16.5	24.8	33.0	41.3	49.5	57.8	66.0	74.3	82.5	90.8	99.0	107	116	124
Poles	17	18	19	20	21	22	23	24	25	26	27	28	29	30	
L(mm)	142	150	158	167	175	183	191	200	208	216	224	233	241	249	
S(mm)	132	140	149	157	165	173	182	190	198	206	215	223	231	239	

- **Specification**

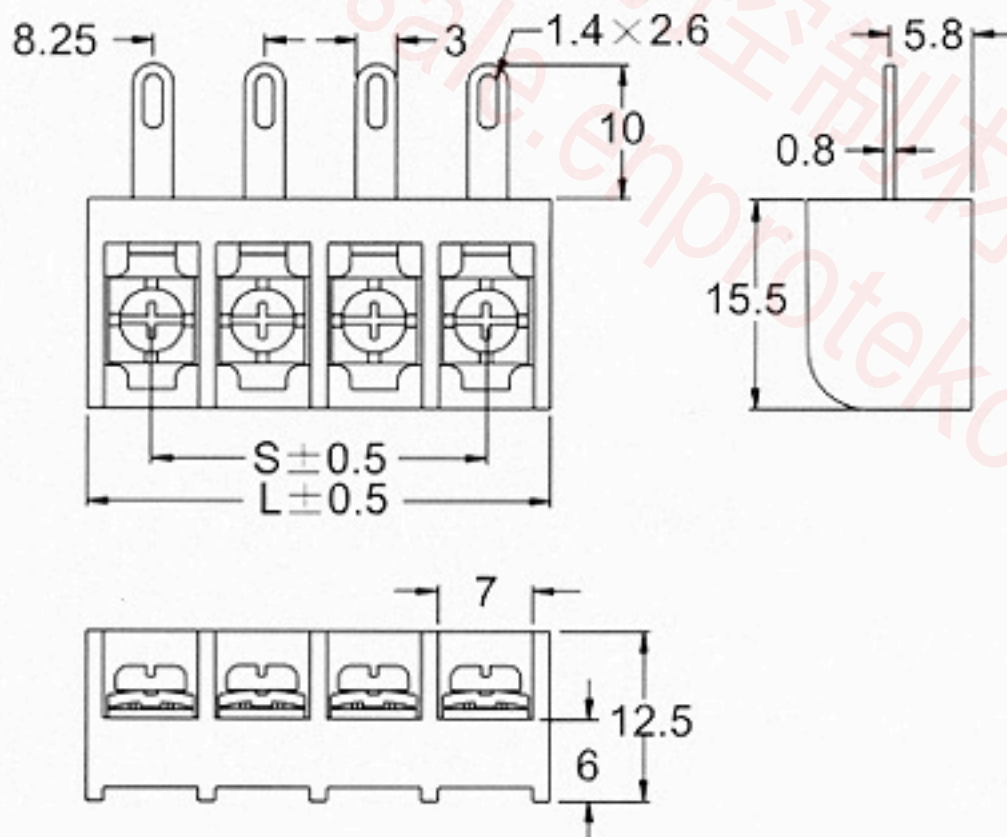
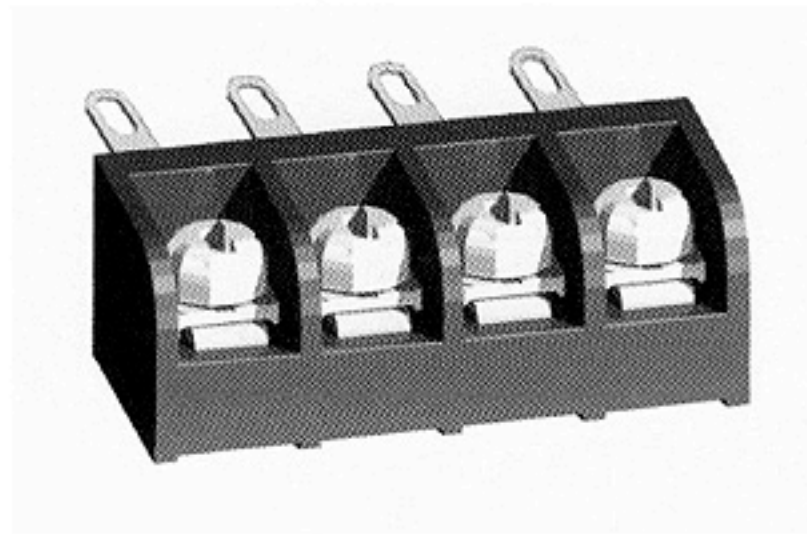
- .325" PCB Barrier Terminal Blocks
- Terminal style : B13
- Pitch : 8.25 mm



Poles	2	3	4	5	6	7	8	9	10	11	12	13	14	15	16
L(mm)	17.7	26.0	34.2	42.5	50.7	59.0	67.2	75.5	83.7	92.0	100	108	117	125	133
S(mm)	8.25	16.5	24.8	33.0	41.3	49.5	57.8	66.0	74.3	82.5	90.8	99.0	107	116	124
Poles	17	18	19	20	21	22	23	24	25	26	27	28	29	30	
L(mm)	142	150	158	167	175	183	191	200	208	216	224	233	241	249	
S(mm)	132	140	149	157	165	173	182	190	198	206	215	223	231	239	

● Specification

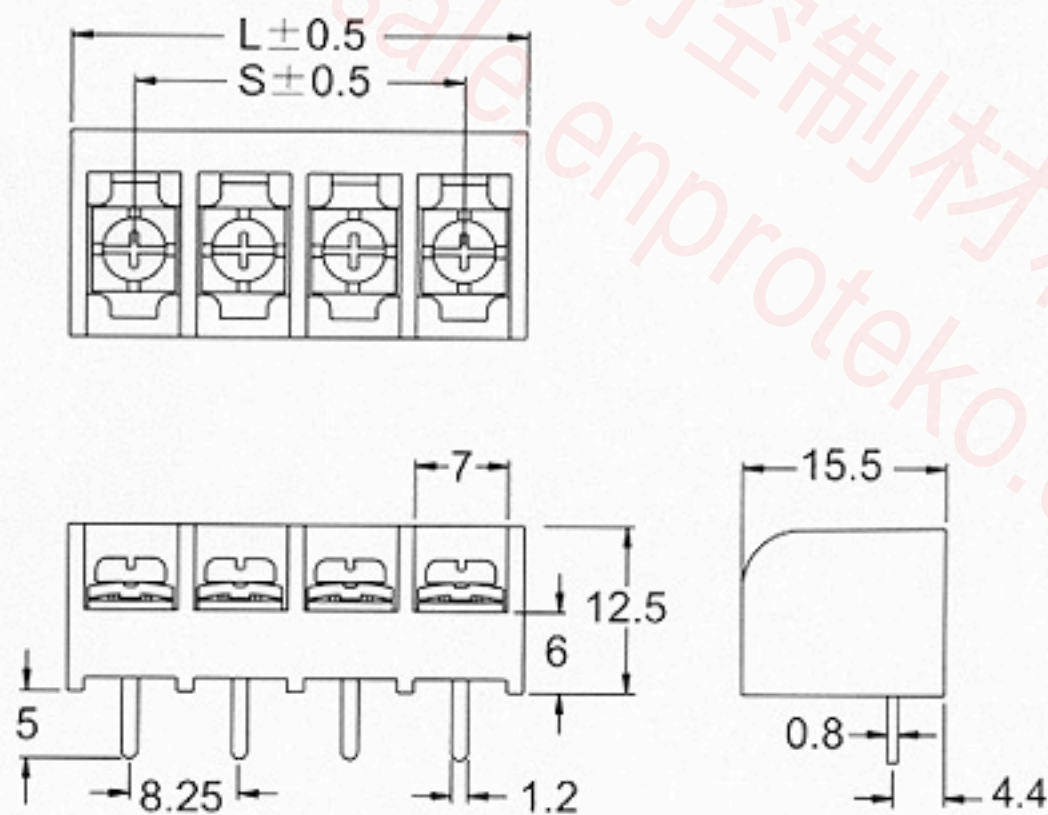
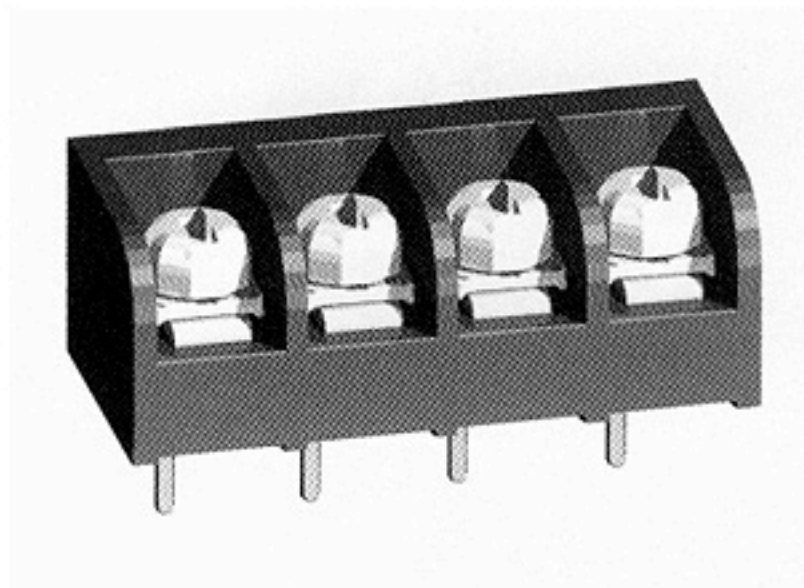
- .325" PCB Barrier Terminal Blocks
- Terminal style : B21
- Pitch : 8.25 mm



Poles	2	3	4	5	6	7	8	9	10	11	12	13	14	15	16
L(mm)	17.7	26.0	34.2	42.5	50.7	59.0	67.2	75.5	83.7	92.0	100	108	117	125	133
S(mm)	8.25	16.5	24.8	33.0	41.3	49.5	57.8	66.0	74.3	82.5	90.8	99.0	107	116	124
Poles	17	18	19	20	21	22	23	24	25	26	27	28	29	30	
L(mm)	142	150	158	167	175	183	191	200	208	216	224	233	241	249	
S(mm)	132	140	149	157	165	173	182	190	198	206	215	223	231	239	

- **Specification**

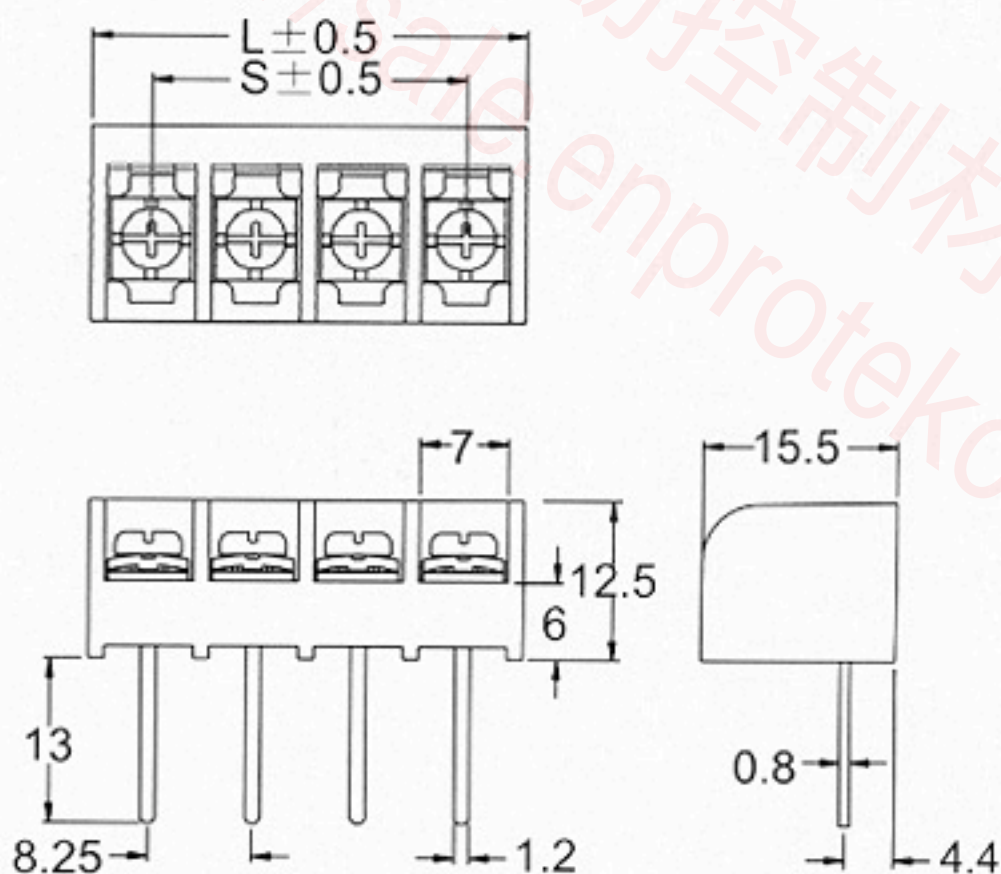
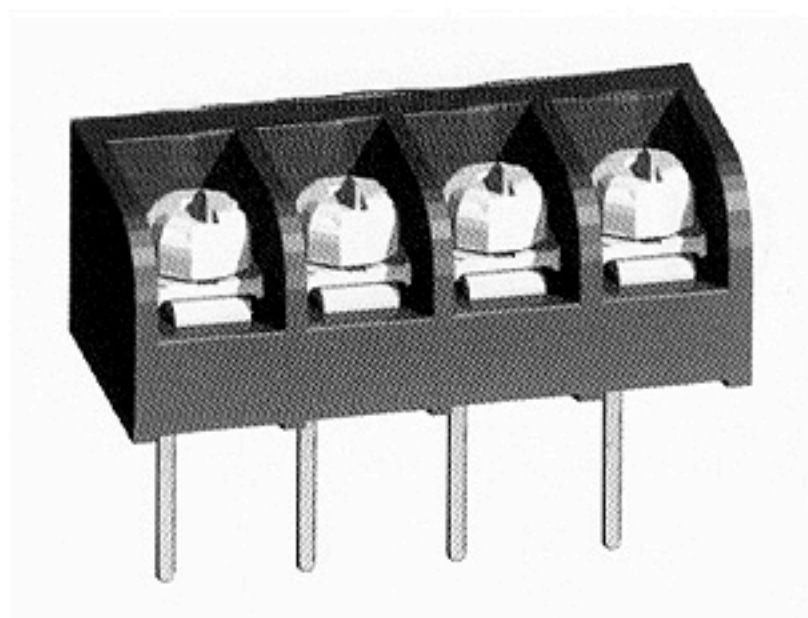
- .325" PCB Barrier Terminal Blocks
- Terminal style : S11
- Pitch : 8.25 mm



Poles	2	3	4	5	6	7	8	9	10	11	12	13	14	15	16
L(mm)	18.0	26.3	34.5	42.8	51.0	59.3	67.5	75.8	84.0	92.3	101	109	117	125	134
S(mm)	8.25	16.5	24.8	33.0	41.3	49.5	57.8	66.0	74.3	82.5	90.8	99.0	107	116	124
Poles	17	18	19	20	21	22	23	24	25	26	27	28	29	30	
L(mm)	142	150	158	167	175	183	191	200	208	216	224	233	241	249	
S(mm)	132	140	149	157	165	173	182	190	198	206	215	223	231	239	

- **Specification**

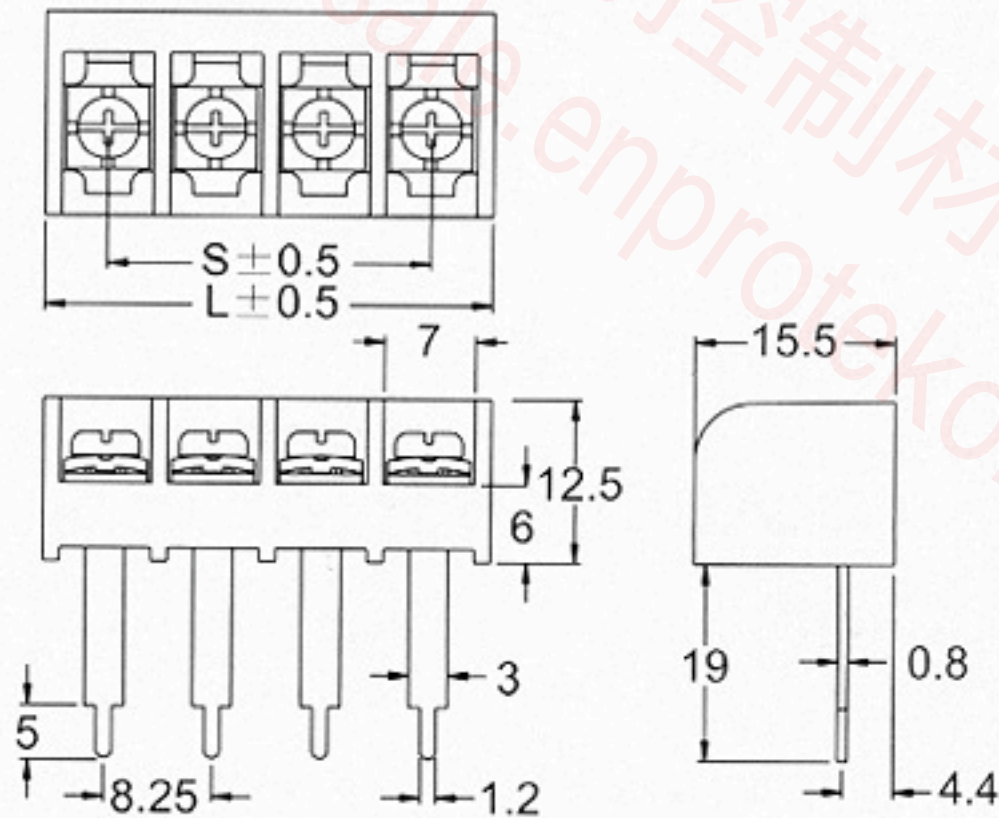
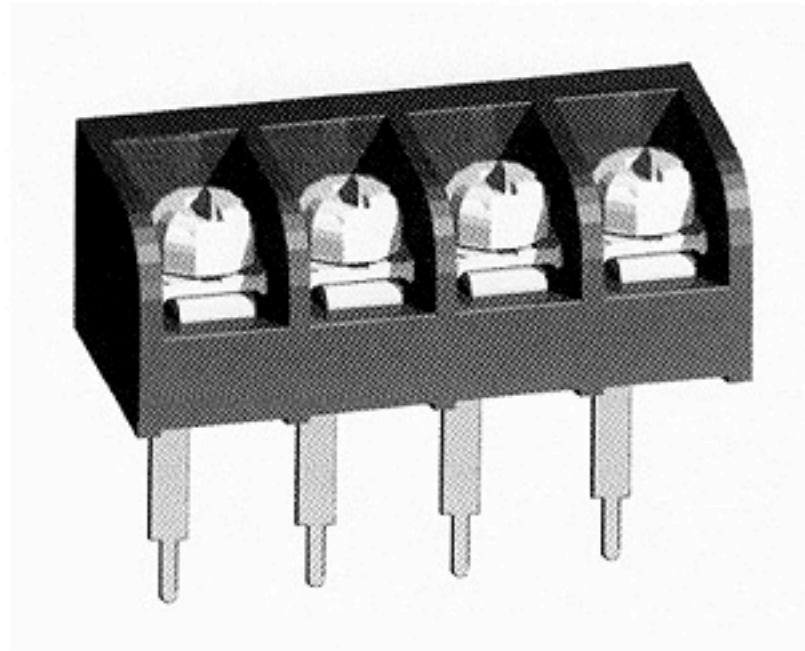
- .325" PCB Barrier Terminal Blocks
- Terminal style : S13
- Pitch : 8.25 mm



Poles	2	3	4	5	6	7	8	9	10	11	12	13	14	15	16
L(mm)	18.0	26.3	34.5	42.8	51.0	59.3	67.5	75.8	84.0	92.3	101	109	117	125	134
S(mm)	8.25	16.5	24.8	33.0	41.3	49.5	57.8	66.0	74.3	82.5	90.8	99.0	107	116	124
Poles	17	18	19	20	21	22	23	24	25	26	27	28	29	30	
L(mm)	142	150	158	167	175	183	191	200	208	216	224	233	241	249	
S(mm)	132	140	149	157	165	173	182	190	198	206	215	223	231	239	

- **Specification**

- .325" PCB Barrier Terminal Blocks
- Terminal style : S35
- Pitch : 8.25 mm



Poles	2	3	4	5	6	7	8	9	10	11	12	13	14	15	16
L(mm)	18.0	26.3	34.5	42.8	51.0	59.3	67.5	75.8	84.0	92.3	101	109	117	125	134
S(mm)	8.25	16.5	24.8	33.0	41.3	49.5	57.8	66.0	74.3	82.5	90.8	99.0	107	116	124
Poles	17	18	19	20	21	22	23	24	25	26	27	28	29	30	
L(mm)	142	150	158	167	175	183	191	200	208	216	224	233	241	249	
S(mm)	132	140	149	157	165	173	182	190	198	206	215	223	231	239	