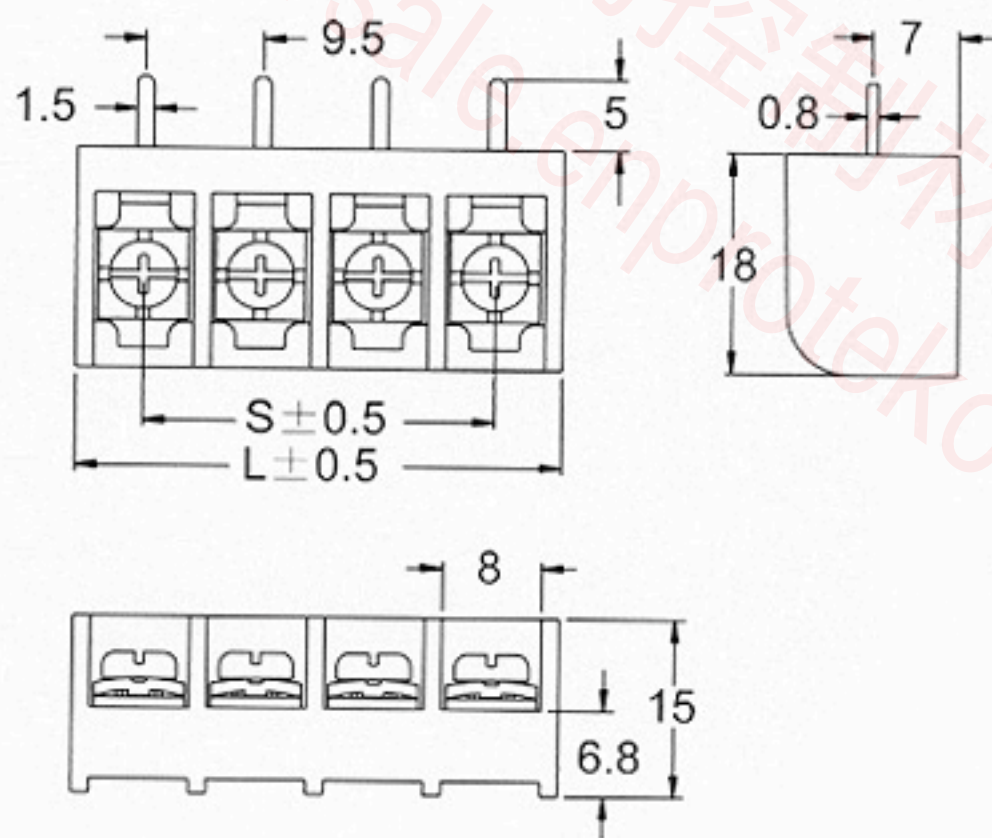
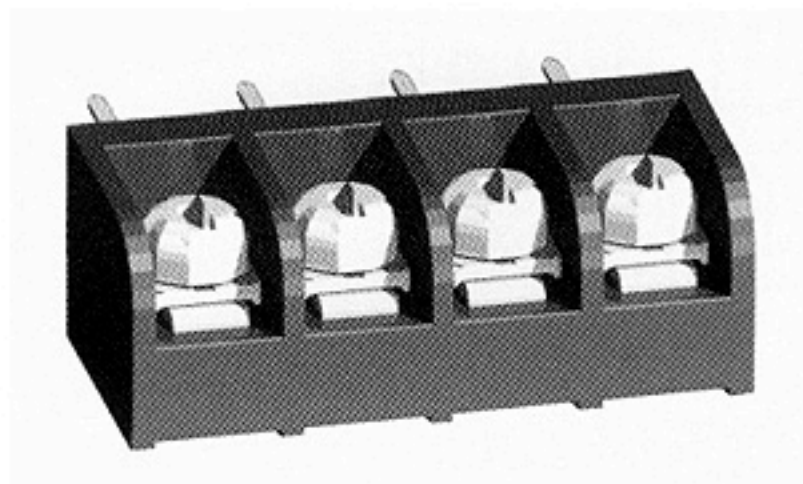


- **Specification**

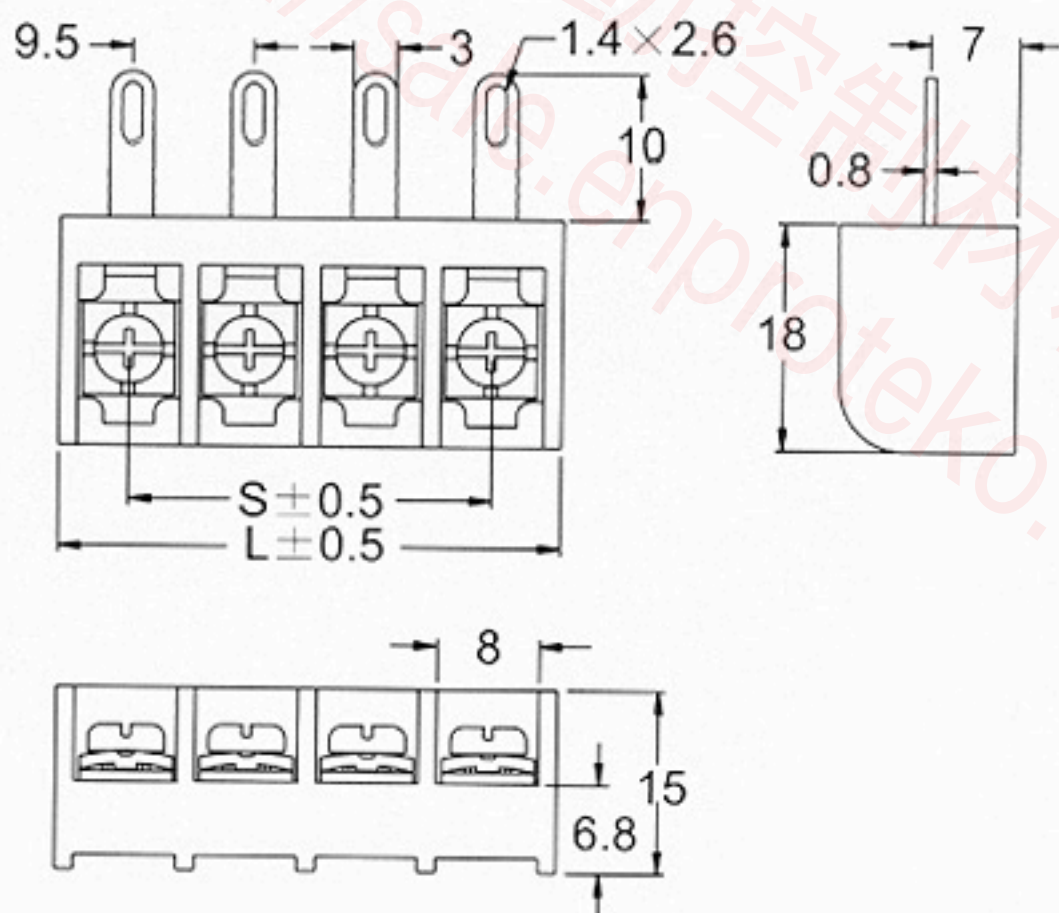
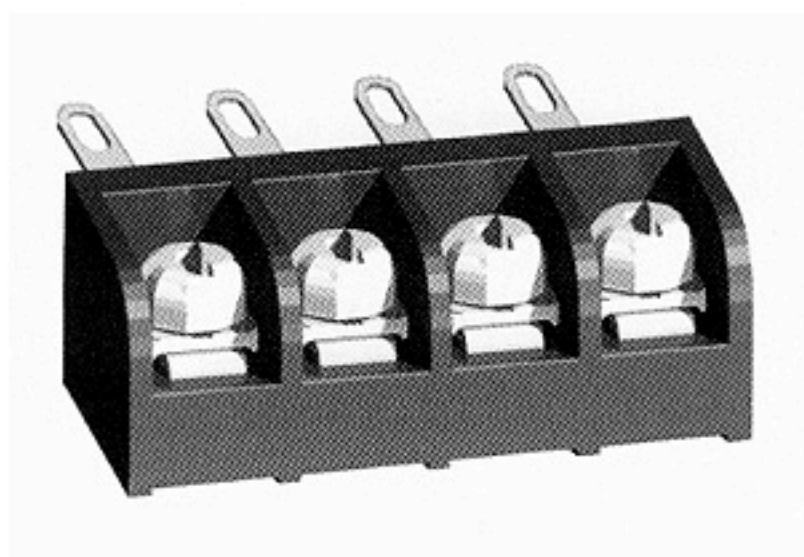
- .374" PCB Barrier Terminal Blocks
- Terminal style : B11
- Pitch : 9.50 mm



Poles	2	3	4	5	6	7	8	9	10	11	12	13	14	15	16
L(mm)	20.4	29.9	39.4	48.9	58.4	67.9	77.4	86.9	96.4	106	115	125	134	144	153
S(mm)	9.50	19.0	28.5	38.0	47.5	57.0	66.5	76.0	85.5	95.0	105	114	124	133	143
Poles	17	18	19	20	21	22	23	24	25	26					
L(mm)	163	172	182	191	201	210	220	229	239	248					
S(mm)	152	162	171	181	190	200	209	219	228	238					

- **Specification**

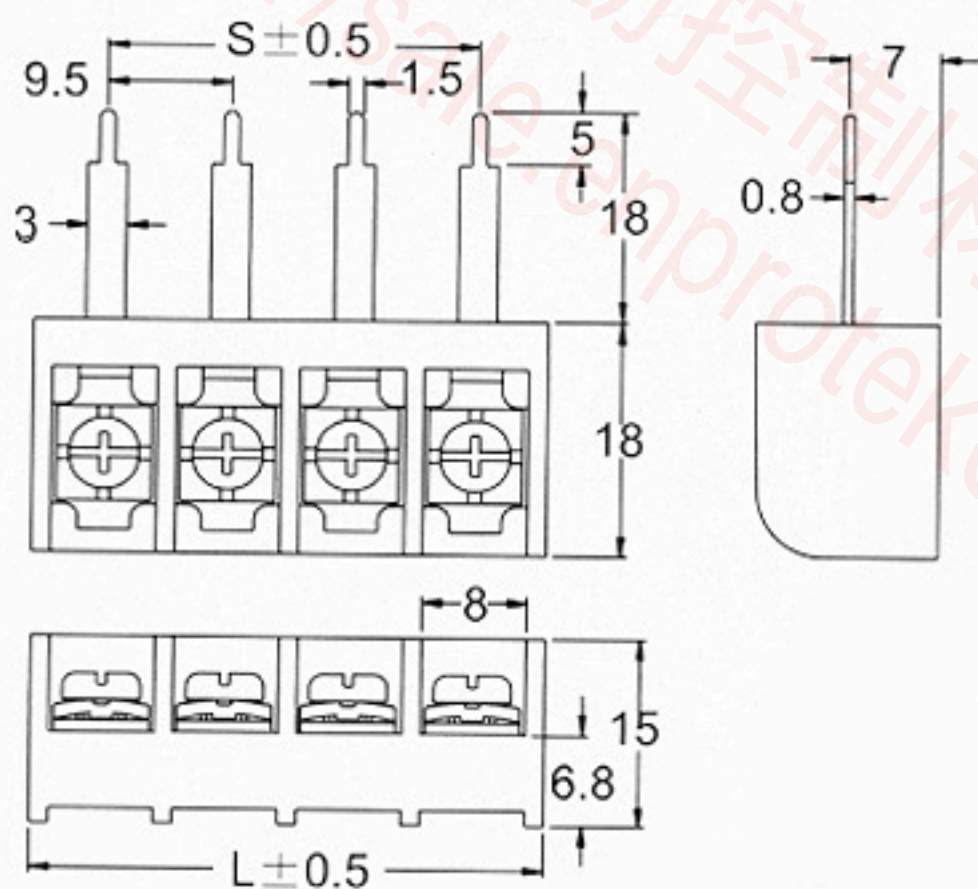
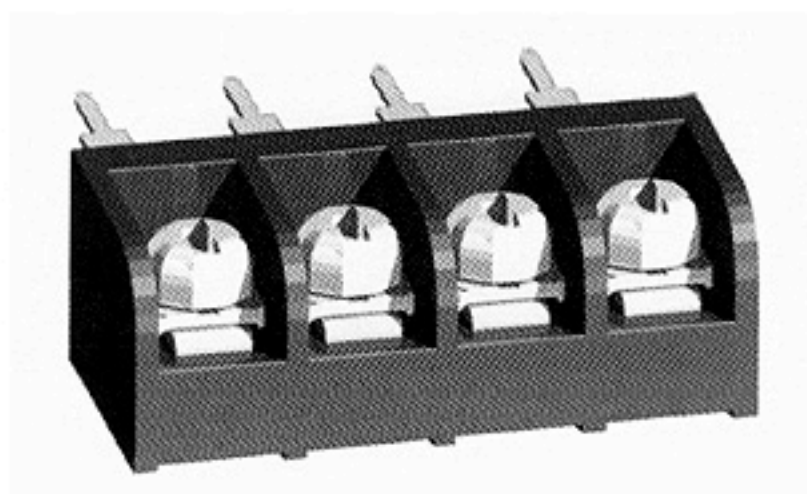
- .374" PCB Barrier Terminal Blocks
- Terminal style : B21
- Pitch : 9.50 mm



Poles	2	3	4	5	6	7	8	9	10	11	12	13	14	15	16
L(mm)	20.4	29.9	39.4	48.9	58.4	67.9	77.4	86.9	96.4	106	115	125	134	144	153
S(mm)	9.50	19.0	28.5	38.0	47.5	57.0	66.5	76.0	85.5	95.0	105	114	124	133	143
Poles	17	18	19	20	21	22	23	24	25	26					
L(mm)	163	172	182	191	201	210	220	229	239	248					
S(mm)	152	162	171	181	190	200	209	219	228	238					

- **Specification**

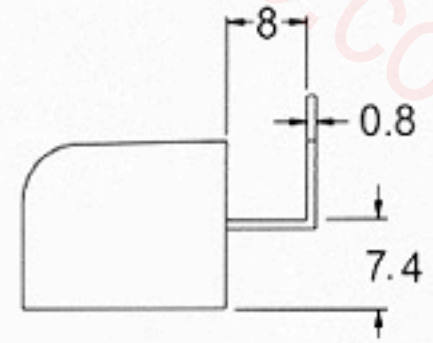
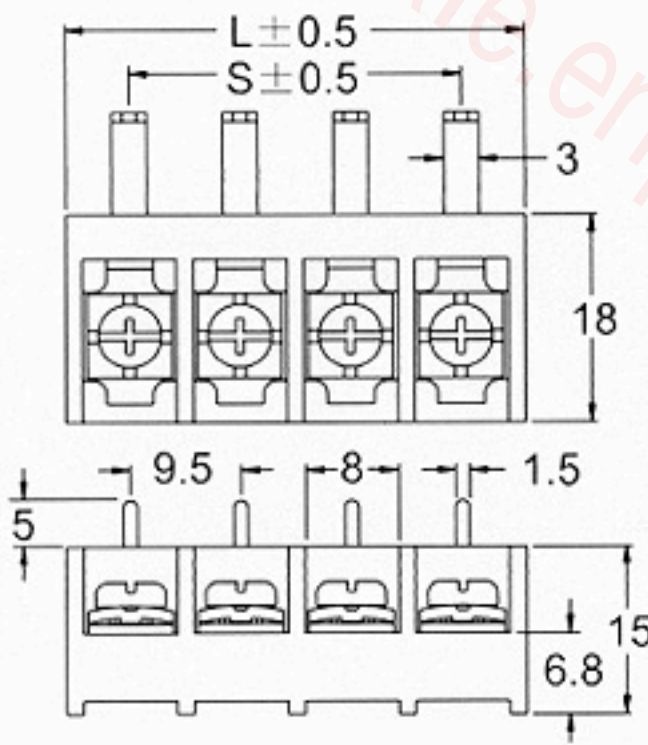
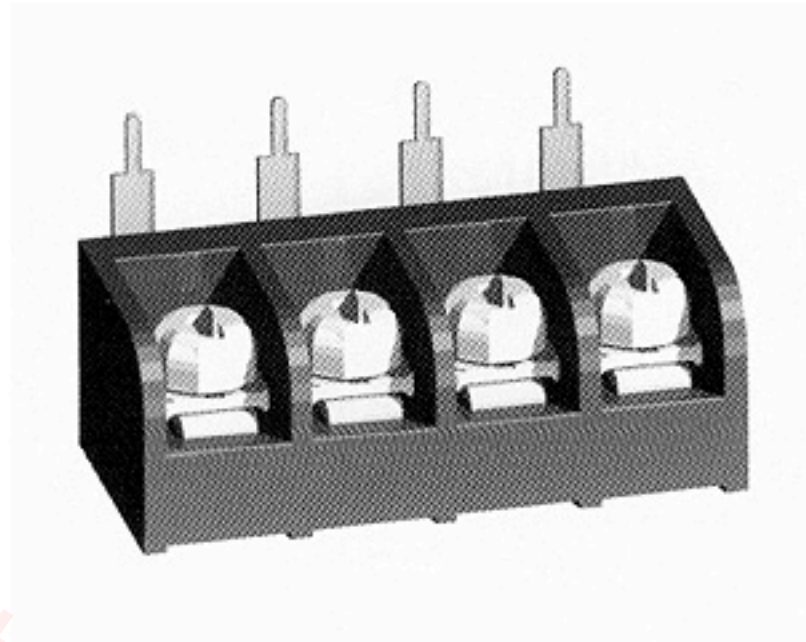
- .374" PCB Barrier Terminal Blocks
- Terminal style : B32
- Pitch : 9.50 mm



Poles	2	3	4	5	6	7	8	9	10	11	12	13	14	15	16
L(mm)	20.4	29.9	39.4	48.9	58.4	67.9	77.4	86.9	96.4	106	115	125	134	144	153
S(mm)	9.50	19.0	28.5	38.0	47.5	57.0	66.5	76.0	85.5	95.0	105	114	124	133	143
Poles	17	18	19	20	21	22	23	24	25	26					
L(mm)	163	172	182	191	201	210	220	229	239	248					
S(mm)	152	162	171	181	190	200	209	219	228	238					

● **Specification**

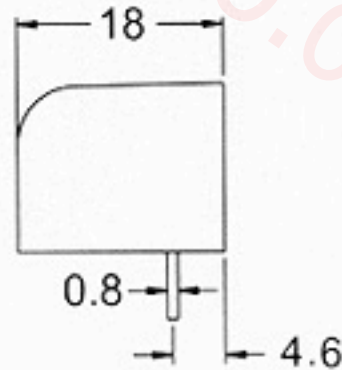
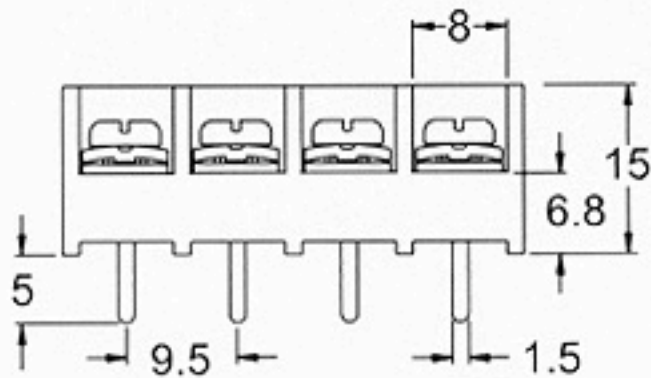
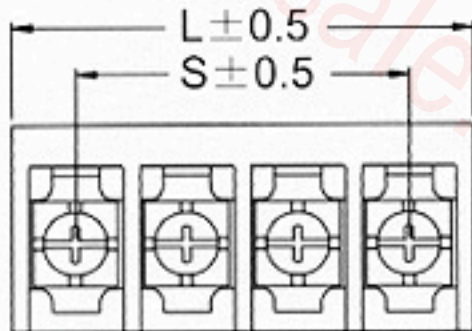
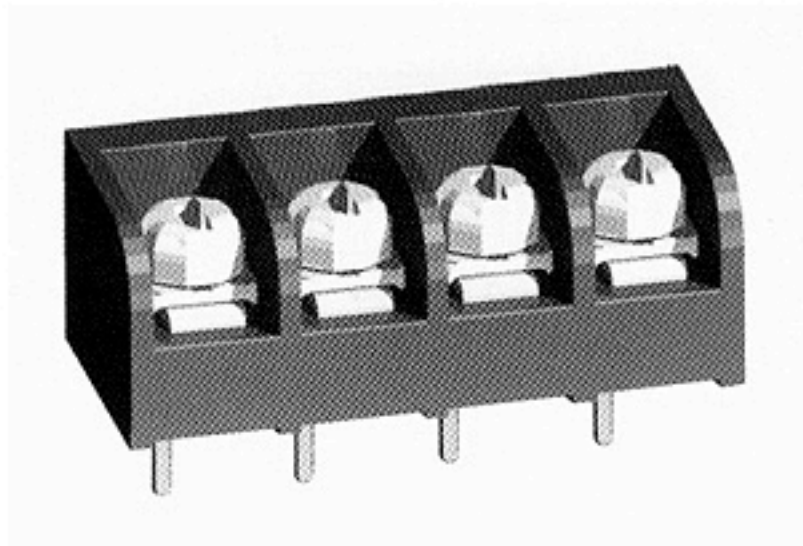
- .374" PCB Barrier Terminal Blocks
- Terminal style : C36
- Pitch : 9.50 mm



Poles	2	3	4	5	6	7	8	9	10	11	12	13	14	15	16
L(mm)	20.4	29.9	39.4	48.9	58.4	67.9	77.4	86.9	96.4	106	115	125	134	144	153
S(mm)	9.50	19.0	28.5	38.0	47.5	57.0	66.5	76.0	85.5	95.0	105	114	124	133	143
Poles	17	18	19	20	21	22	23	24	25	26					
L(mm)	163	172	182	191	201	210	220	229	239	248					
S(mm)	152	162	171	181	190	200	209	219	228	238					

- **Specification**

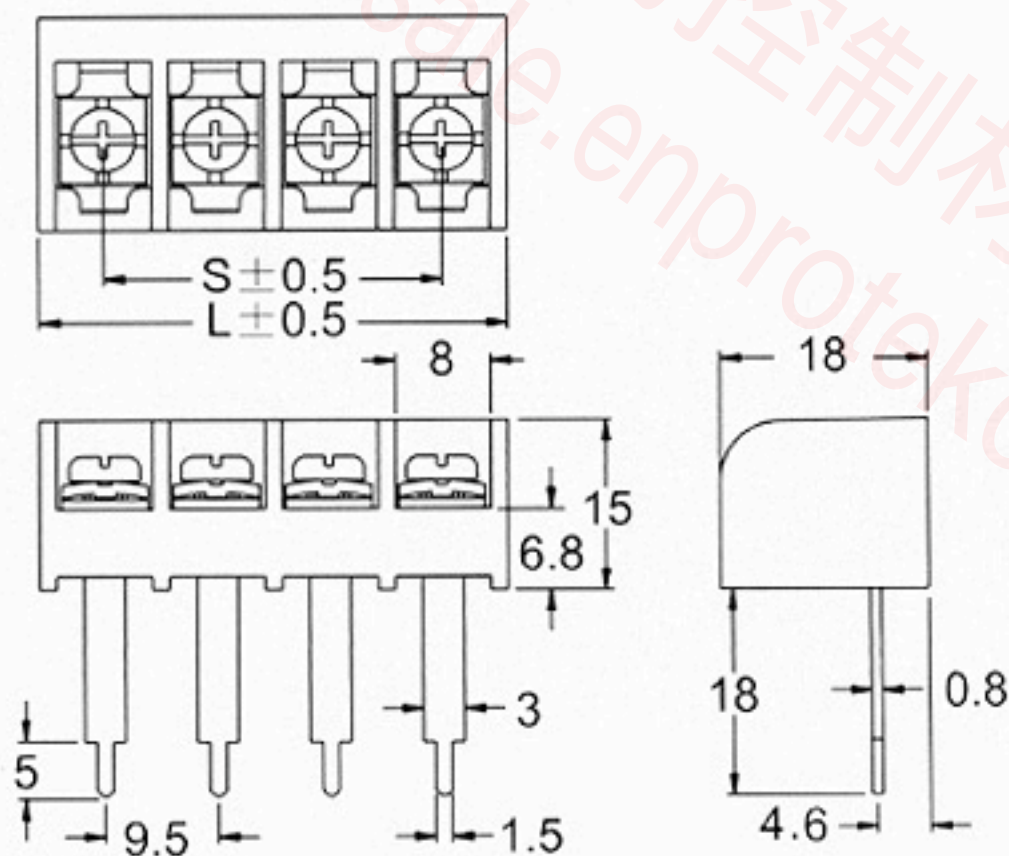
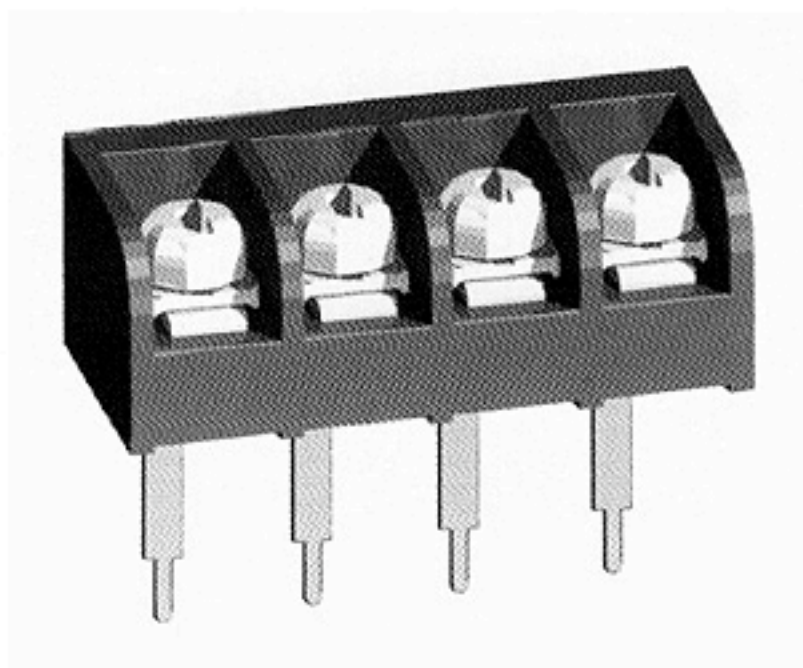
- .374" PCB Barrier Terminal Blocks
- Terminal style : S11
- Pitch : 9.50 mm



Poles	2	3	4	5	6	7	8	9	10	11	12	13	14	15	16
L(mm)	20.4	29.9	39.4	48.9	58.4	67.9	77.4	86.9	96.4	106	115	125	134	144	153
S(mm)	9.50	19.0	28.5	38.0	47.5	57.0	66.5	76.0	85.5	95.0	105	114	124	133	143
Poles	17	18	19	20	21	22	23	24	25	26					
L(mm)	163	172	182	191	201	210	220	229	239	248					
S(mm)	152	162	171	181	190	200	209	219	228	238					

- **Specification**

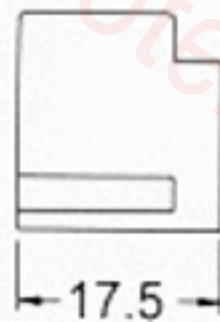
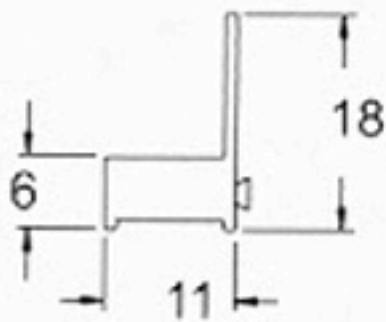
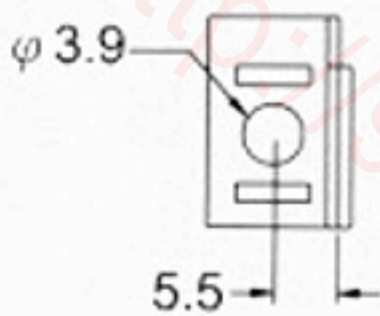
- .374" PCB Barrier Terminal Blocks
- Terminal style : S32
- Pitch : 9.50 mm



Poles	2	3	4	5	6	7	8	9	10	11	12	13	14	15	16
L(mm)	20.4	29.9	39.4	48.9	58.4	67.9	77.4	86.9	96.4	106	115	125	134	144	153
S(mm)	9.50	19.0	28.5	38.0	47.5	57.0	66.5	76.0	85.5	95.0	105	114	124	133	143
Poles	17	18	19	20	21	22	23	24	25	26					
L(mm)	163	172	182	191	201	210	220	229	239	248					
S(mm)	152	162	171	181	190	200	209	219	228	238					

- **Specification**

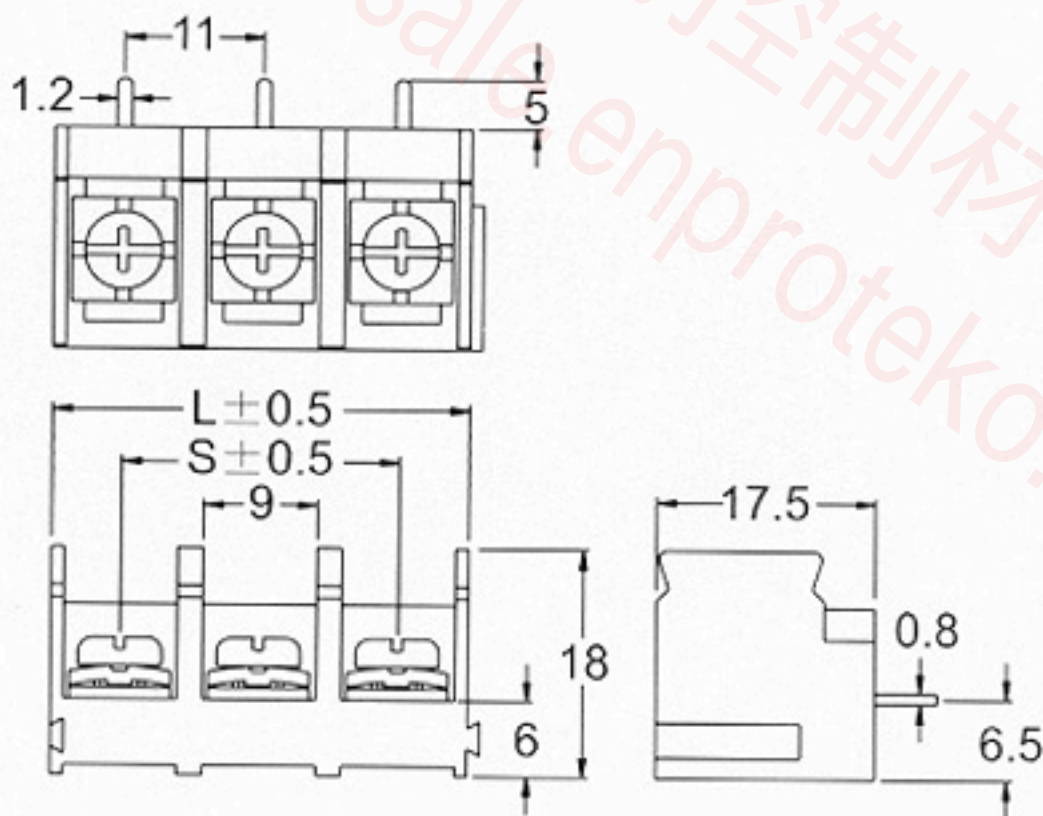
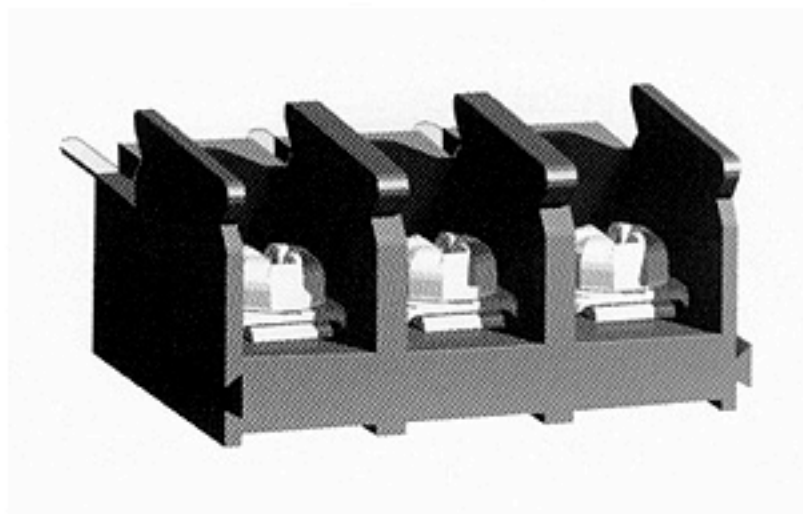
- .433" PCB Barrier Terminal Blocks
- Pitch : 11.00 mm



T46MBM11-02		2 pole modular
T46MBM11-03		3 pole modular
T46M-L01		mounting hole (left)
T46M-R01		mounting hole (right)
BC46M-□□		clear cover

- **Specification**

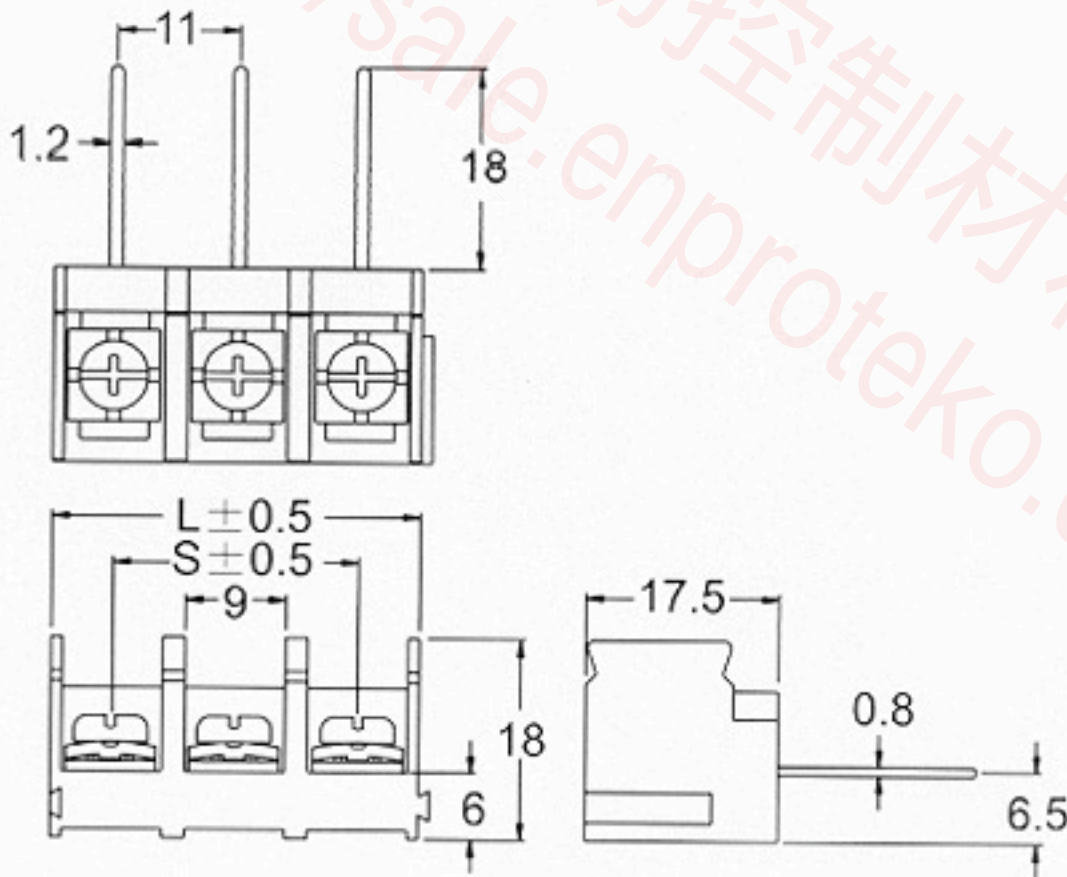
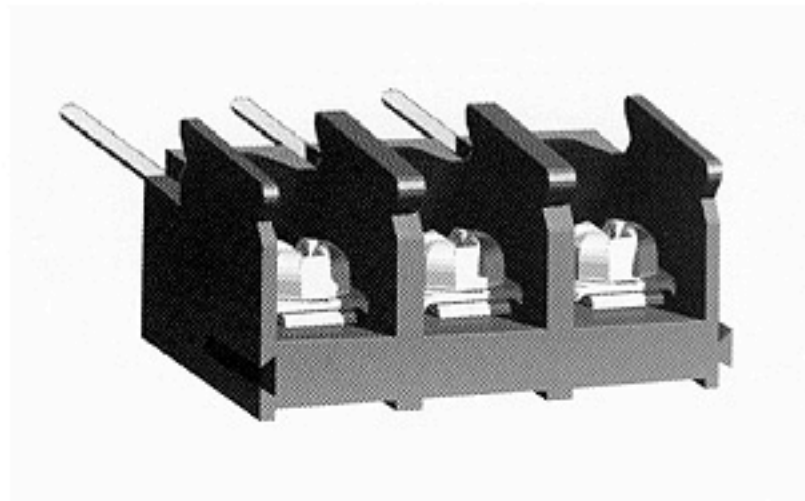
- .433" PCB Barrier Terminal Blocks
- Terminal style : B11
- Pitch : 11.00 mm



Poles	2	3	4	5	6	7	8	9	10	11	12	13	14	15	16
L(mm)	22.0	33.0	44.0	55.0	66.0	77.0	88.0	99.0	110	121	132	143	154	165	176
S(mm)	11.0	22.0	33.0	44.0	55.0	66.0	77.0	88.0	99.0	110	121	132	143	154	165
Poles	17	18	19	20	21	22	23	24	25	26	27	28	29	30	
L(mm)	187	198	209	220	231	242	253	264	275	286	297	308	319	330	
S(mm)	176	187	198	209	220	231	242	253	264	275	286	297	308	319	

● **Sepecification**

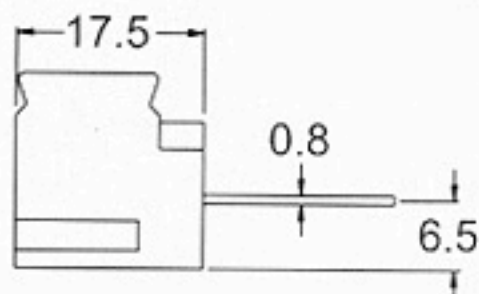
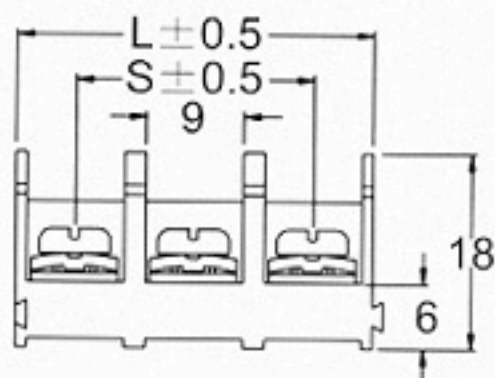
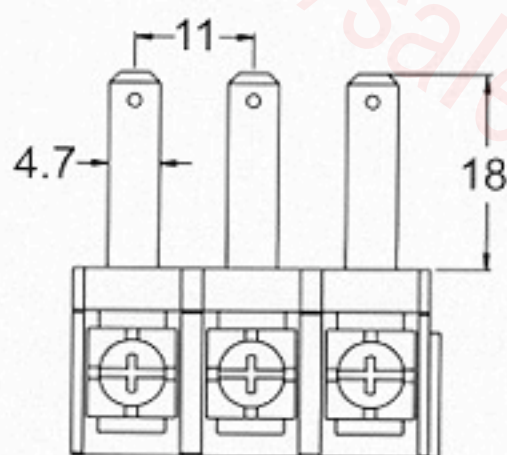
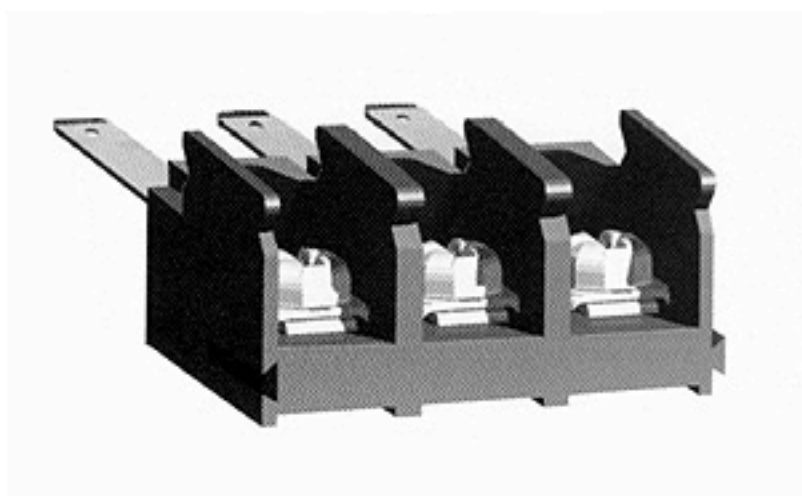
- .433" PCB Barrier Terminal Blocks
- Terminal style : B15
- Pitch : 11.00 mm



Poles	2	3	4	5	6	7	8	9	10	11	12	13	14	15	16
L(mm)	22.0	33.0	44.0	55.0	66.0	77.0	88.0	99.0	110	121	132	143	154	165	176
S(mm)	11.0	22.0	33.0	44.0	55.0	66.0	77.0	88.0	99.0	110	121	132	143	154	165
Poles	17	18	19	20	21	22	23	24	25	26	27	28	29	30	
L(mm)	187	198	209	220	231	242	253	264	275	286	297	308	319	330	
S(mm)	176	187	198	209	220	231	242	253	264	275	286	297	308	319	

- **Specification**

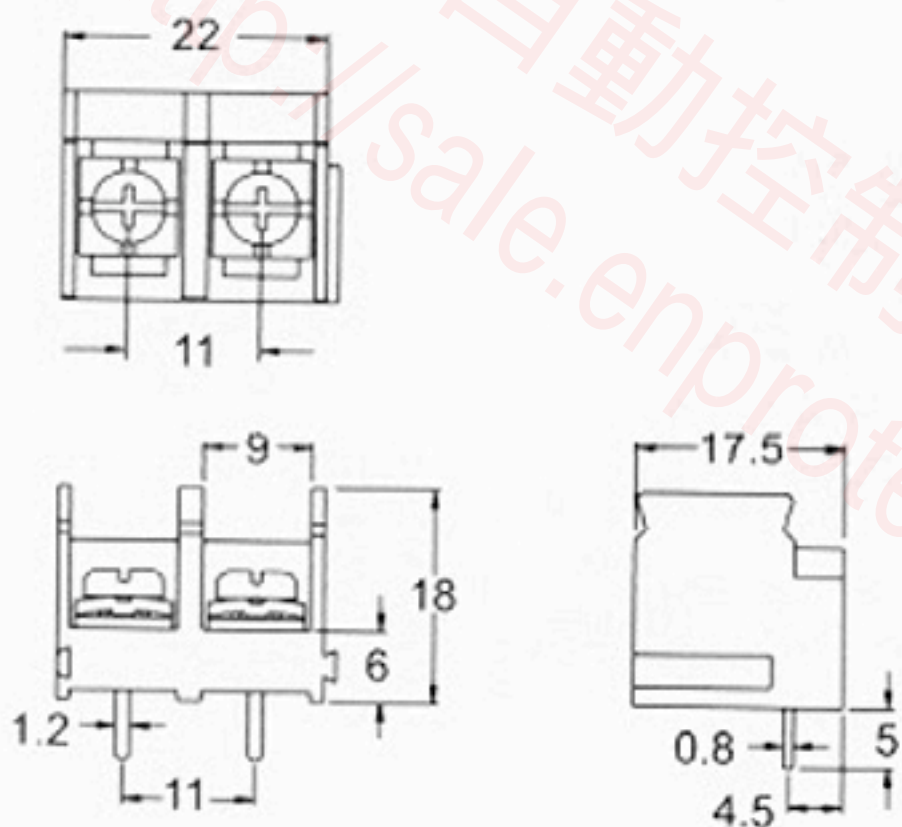
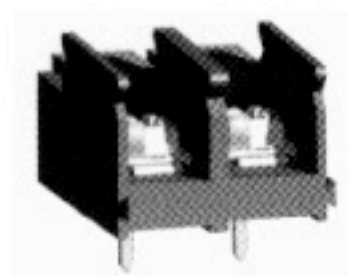
- .433" PCB Barrier Terminal Blocks
- Terminal style : B52
- Pitch : 11.00 mm



Poles	2	3	4	5	6	7	8	9	10	11	12	13	14	15	16
L(mm)	22.0	33.0	44.0	55.0	66.0	77.0	88.0	99.0	110	121	132	143	154	165	176
S(mm)	11.0	22.0	33.0	44.0	55.0	66.0	77.0	88.0	99.0	110	121	132	143	154	165
Poles	17	18	19	20	21	22	23	24	25	26	27	28	29	30	
L(mm)	187	198	209	220	231	242	253	264	275	286	297	308	319	330	
S(mm)	176	187	198	209	220	231	242	253	264	275	286	297	308	319	

- **Specification**

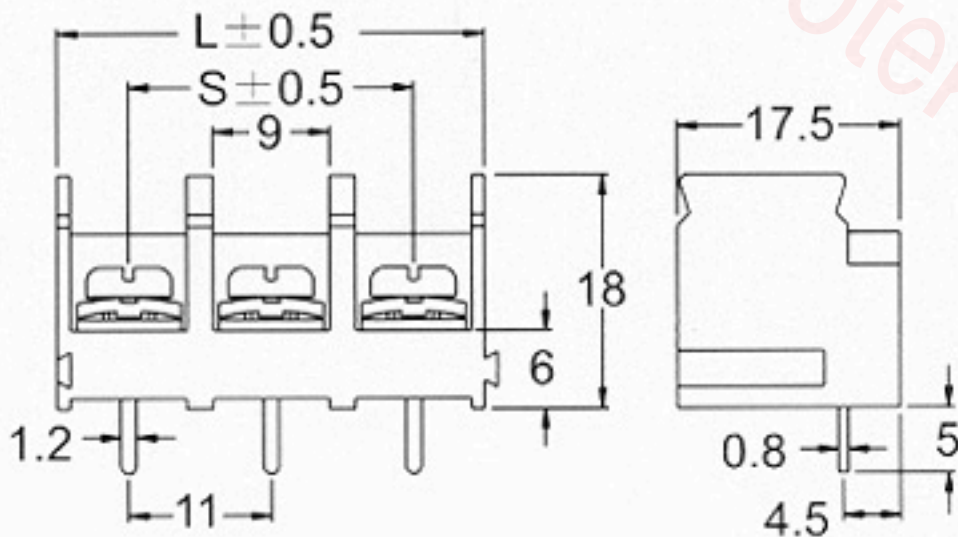
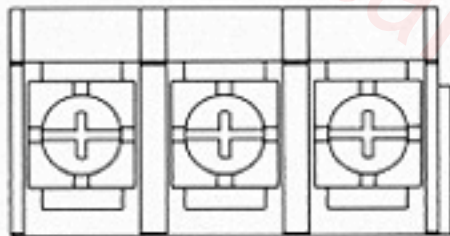
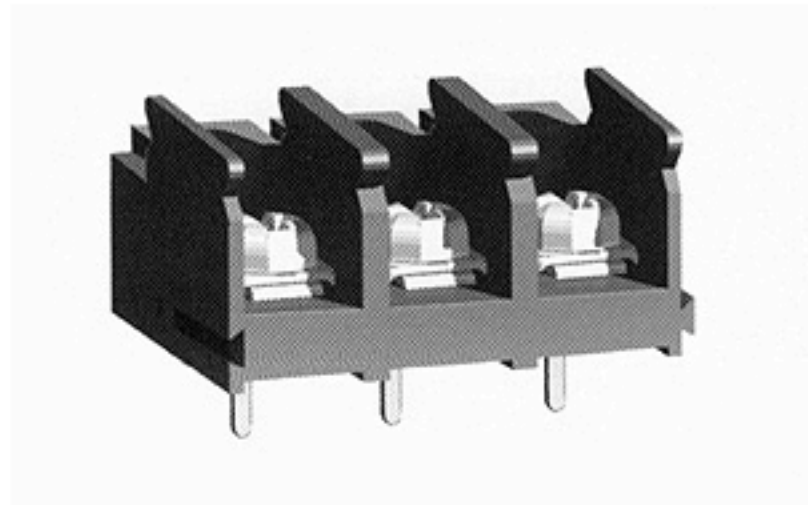
- .433" PCB Barrier Terminal Blocks
- Pitch : 11.00 mm



T46MBM11-02		2 pole modular
T46MBM11-03		3 pole modular
T46M-L01		mounting hole (left)
T46M-R01		mounting hole (right)
BC46M-□□		clear cover

- **Specification**

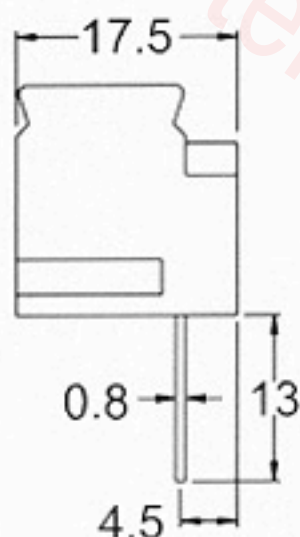
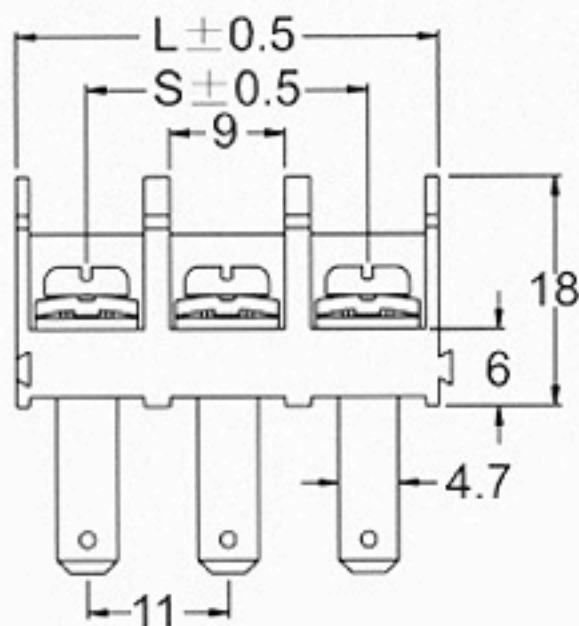
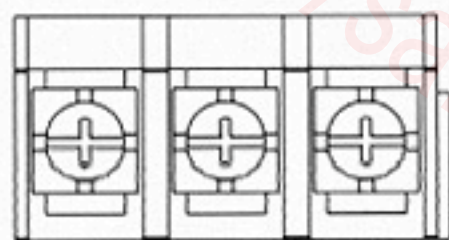
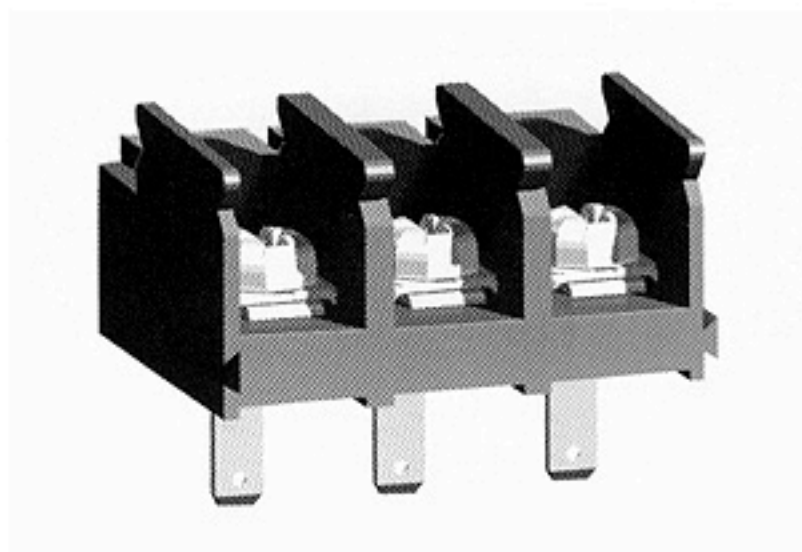
- .433" PCB Barrier Terminal Blocks
- Terminal style : S11
- Pitch : 11.00 mm



Poles	2	3	4	5	6	7	8	9	10	11	12	13	14	15	16
L(mm)	22.0	33.0	44.0	55.0	66.0	77.0	88.0	99.0	110	121	132	143	154	165	176
S(mm)	11.0	22.0	33.0	44.0	55.0	66.0	77.0	88.0	99.0	110	121	132	143	154	165
Poles	17	18	19	20	21	22	23	24	25	26	27	28	29	30	
L(mm)	187	198	209	220	231	242	253	264	275	286	297	308	319	330	
S(mm)	176	187	198	209	220	231	242	253	264	275	286	297	308	319	

- **Specification**

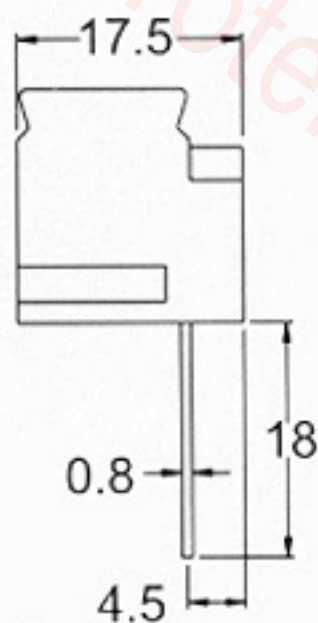
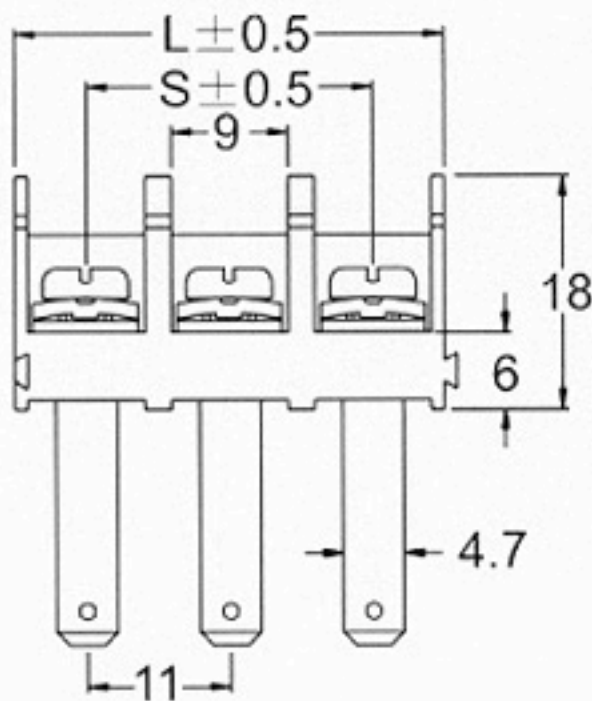
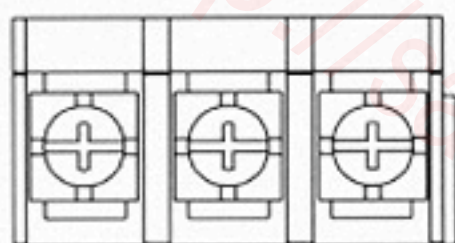
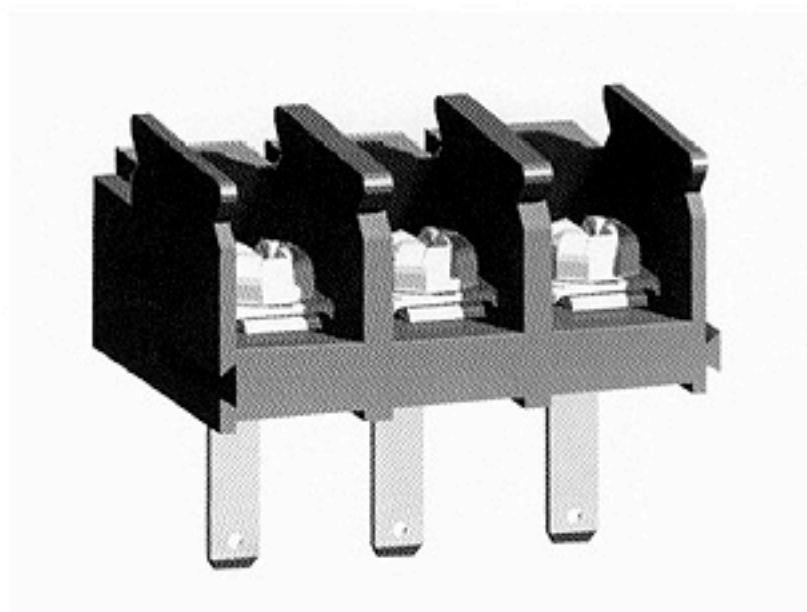
- .433" PCB Barrier Terminal Blocks
- Terminal style : S51
- Pitch : 11.00 mm



Poles	2	3	4	5	6	7	8	9	10	11	12	13	14	15	16
L(mm)	22.0	33.0	44.0	55.0	66.0	77.0	88.0	99.0	110	121	132	143	154	165	176
S(mm)	11.0	22.0	33.0	44.0	55.0	66.0	77.0	88.0	99.0	110	121	132	143	154	165
Poles	17	18	19	20	21	22	23	24	25	26	27	28	29	30	
L(mm)	187	198	209	220	231	242	253	264	275	286	297	308	319	330	
S(mm)	176	187	198	209	220	231	242	253	264	275	286	297	308	319	

- **Specification**

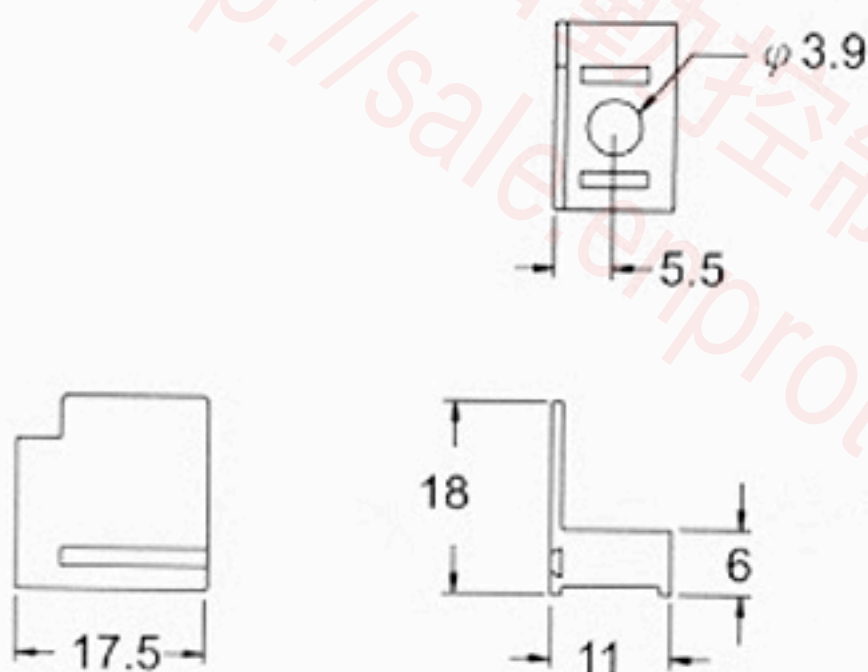
- .433" PCB Barrier Terminal Blocks
- Terminal style : S52
- Pitch : 11.00 mm



Poles	2	3	4	5	6	7	8	9	10	11	12	13	14	15	16
L(mm)	22.0	33.0	44.0	55.0	66.0	77.0	88.0	99.0	110	121	132	143	154	165	176
S(mm)	11.0	22.0	33.0	44.0	55.0	66.0	77.0	88.0	99.0	110	121	132	143	154	165
Poles	17	18	19	20	21	22	23	24	25	26	27	28	29	30	
L(mm)	187	198	209	220	231	242	253	264	275	286	297	308	319	330	
S(mm)	176	187	198	209	220	231	242	253	264	275	286	297	308	319	

- **Specification**

- .433" PCB Barrier Terminal Blocks
- Pitch : 11.00 mm



T46MBM11-02		2 pole modular
T46MBM11-03		3 pole modular
T46M-L01		mounting hole (left)
T46M-R01		mounting hole (right)
BC46M-□□		clear cover