

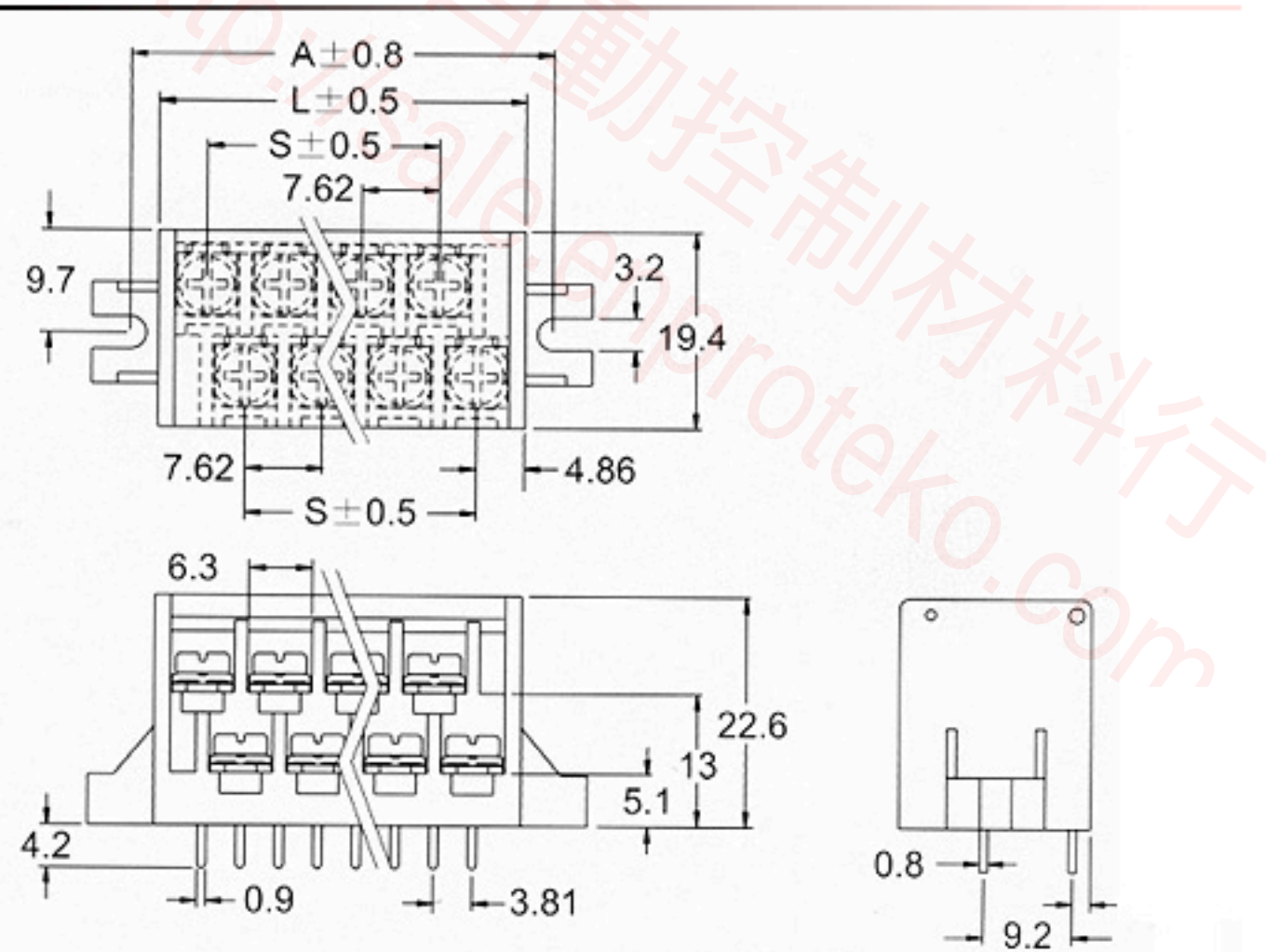






### ● Specification

- .300" PCB Barrier Terminal Blocks
- Terminal style : 41
- Pitch : 7.62 mm



Poles	2	3	4	5	6	7	8	9	10	11	12	13	14	15	16
A(mm)	26.8	34.4	42.0	49.6	57.2	64.9	72.5	80.1	87.7	95.3	103	111	118	126	133
L(mm)	21.2	28.8	36.4	44.0	51.6	59.3	66.9	74.5	82.1	89.7	97.4	105	113	120	128
S(mm)	7.62	15.2	22.9	30.5	38.1	45.7	53.3	61.0	68.6	76.2	83.8	91.4	99.1	107	114
Poles	17	18	19	20	21	22	23	24	25	26	27	28	29	30	
A(mm)	141	149	156	164	172	179	187	194	202	210	217	225	233	240	
L(mm)	136	143	151	158	166	174	181	189	196	204	212	219	227	235	
S(mm)	122	130	137	145	152	160	168	175	183	191	198	206	213	221	

- **Sepecification**

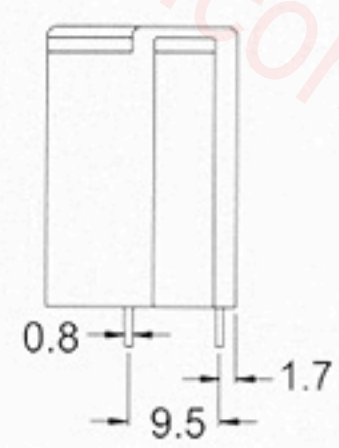
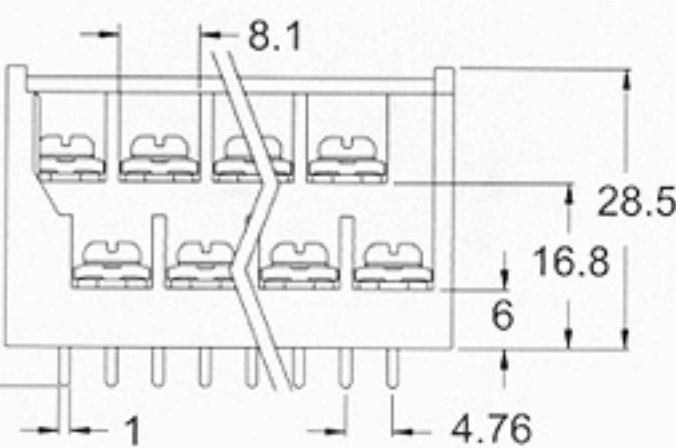
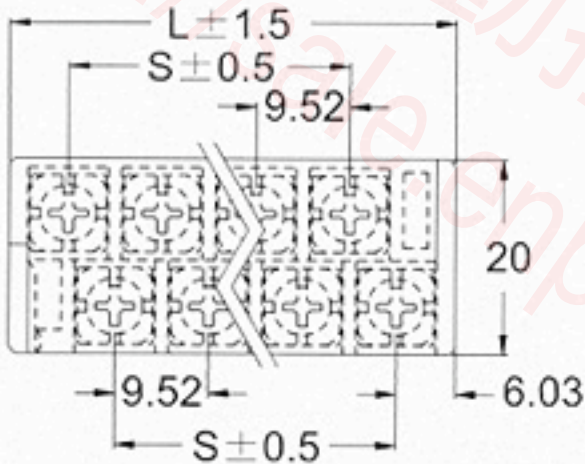
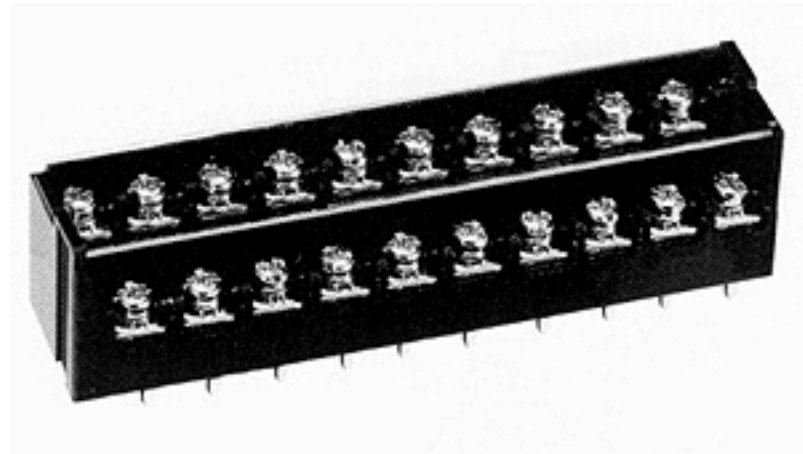
- .300" PCB Barrier Terminal Blocks
- Terminal style : 46
- Pitch : 7.62 mm



Poles	2	3	4	5	6	7	8	9	10	11	12	13	14	15	16
A(mm)	26.8	34.4	42.0	49.6	57.2	64.9	72.5	80.1	87.7	95.3	103	111	118	126	133
L(mm)	21.2	28.8	36.4	44.0	51.6	59.3	66.9	74.5	82.1	89.7	97.4	105	113	120	128
S(mm)	7.62	15.2	22.9	30.5	38.1	45.7	53.3	61.0	68.6	76.2	83.8	91.4	99.1	107	114
Poles	17	18	19	20	21	22	23	24	25	26	27	28	29	30	
A(mm)	141	149	156	164	172	179	187	194	202	210	217	225	233	240	
L(mm)	136	143	151	158	166	174	181	189	196	204	212	219	227	235	
S(mm)	122	130	137	145	152	160	168	175	183	191	198	206	213	221	

● **Specification**

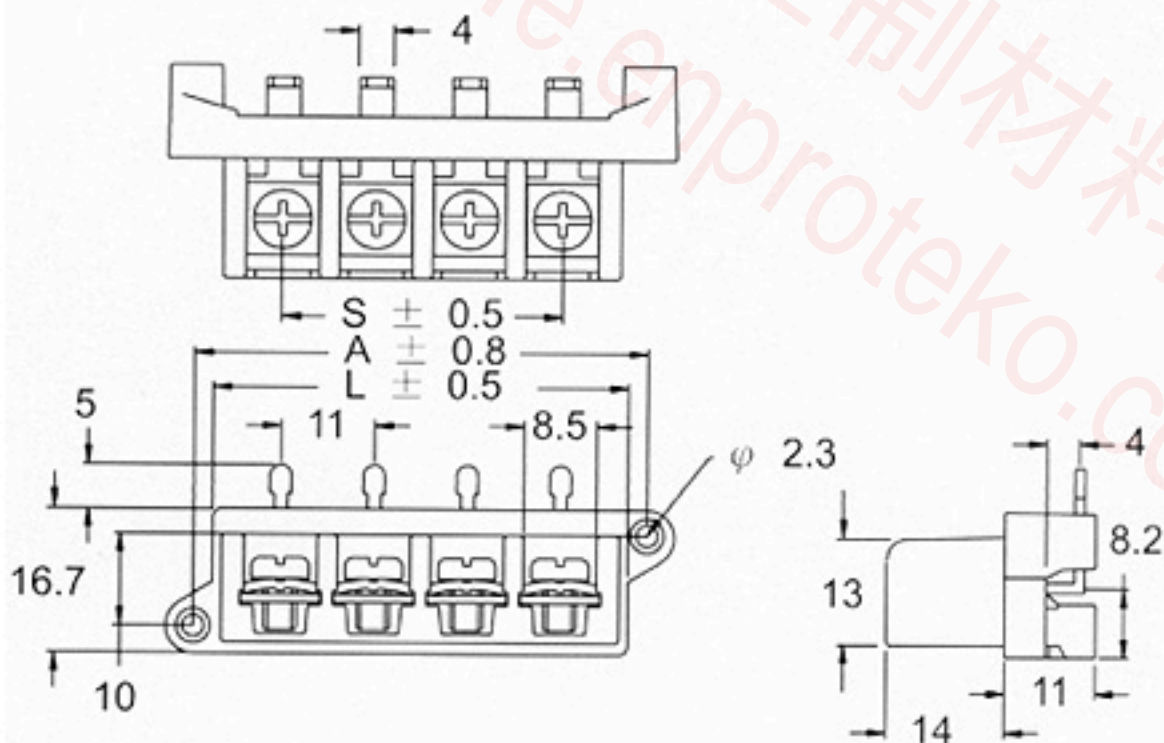
- .375" PCB Barrier Terminal Blocks
- Terminal style : 41
- Pitch : 9.52 mm



Poles	2	3	4	5	6	7	8	9	10	11	12	13	14	15	16
L(mm)	26.3	35.8	45.4	54.9	64.4	73.9	83.5	93.0	103	112	122	131	141	150	160
S(mm)	9.52	19.1	28.6	38.1	47.6	57.2	66.7	76.2	85.7	95.3	105	114	124	133	143
Poles	17	18	19	20	21	22	23	24	25						
L(mm)	169	179	188	198	207	217	226	236	245						
S(mm)	152	162	172	181	191	200	210	219	229						

### ● Specification

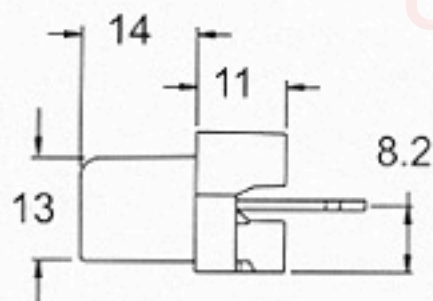
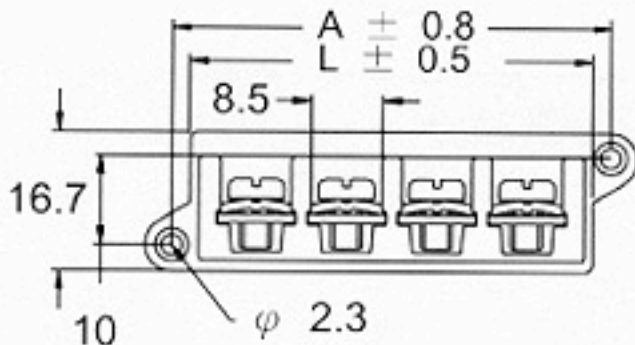
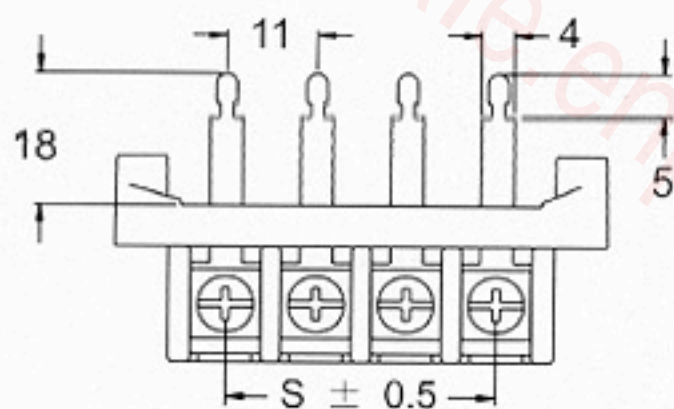
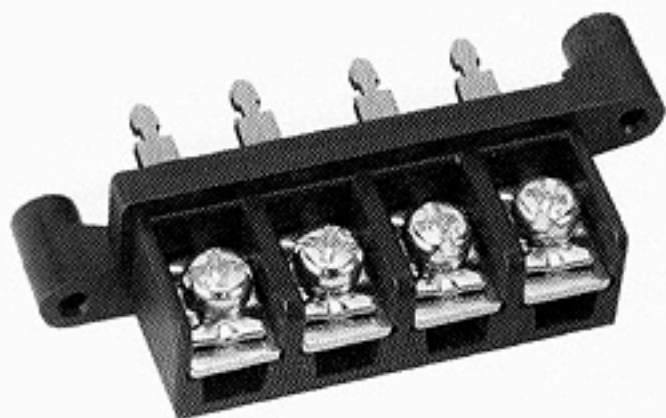
- .433" PCB Barrier Terminal Blocks
- Terminal style : 14
- Pitch : 11.00 mm



Poles	2	3	4	5	6	7	8	9	10	11	12				
A(mm)	33.5	44.5	55.5	66.5	77.5	88.5	99.5	111	122	133	144				
L(mm)	25.6	36.6	47.6	58.6	69.6	80.6	91.6	103	114	125	136				
S(mm)	11.0	22.0	33.0	44.0	55.0	66.0	77.0	88.0	99.0	110	121				

- **Specification**

- .433" PCB Barrier Terminal Blocks
- Terminal style : 24
- Pitch : 11.00 mm

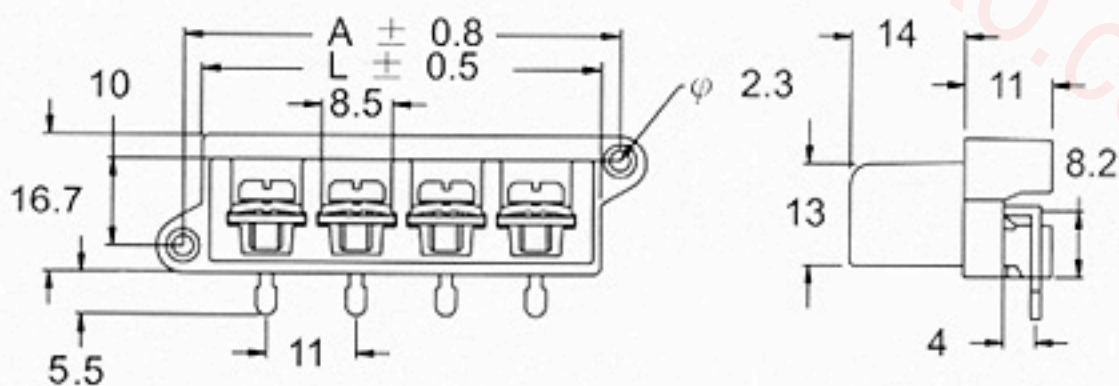
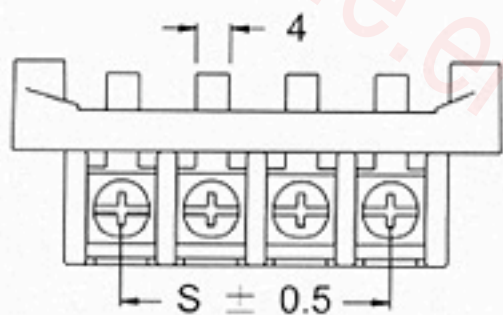
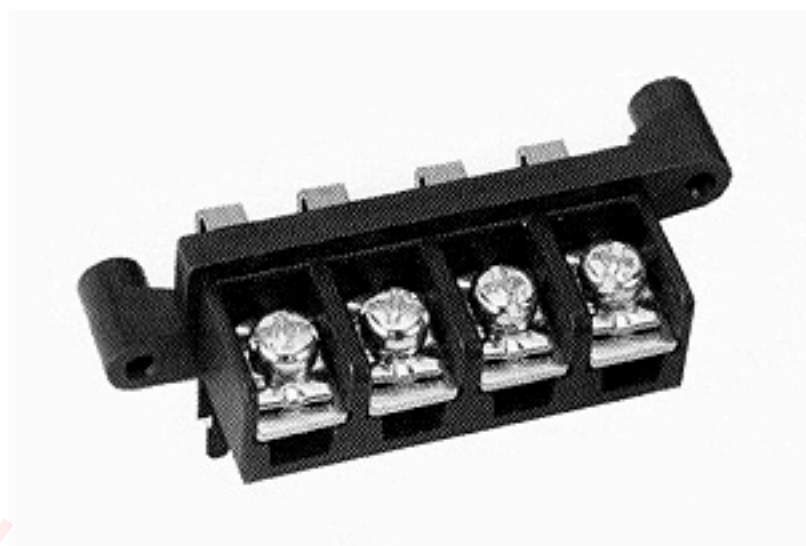


Poles	2	3	4	5	6	7	8	9	10	11	12				
A(mm)	33.5	44.5	55.5	66.5	77.5	88.5	99.5	111	122	133	144				
L(mm)	25.6	36.6	47.6	58.6	69.6	80.6	91.6	103	114	125	136				
S(mm)	11.0	22.0	33.0	44.0	55.0	66.0	77.0	88.0	99.0	110	121				



### ● Specification

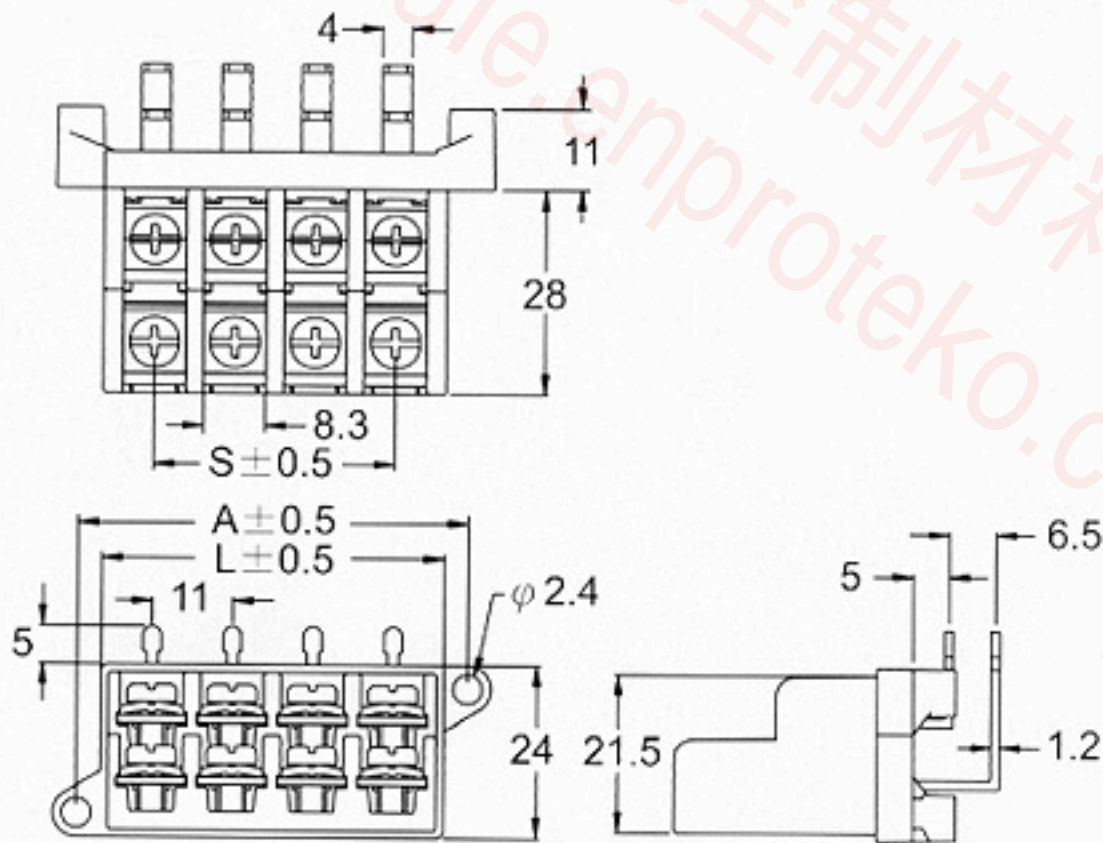
- .433" PCB Barrier Terminal Blocks
- Terminal style : 34
- Pitch : 11.00 mm



Poles	2	3	4	5	6	7	8	9	10	11	12				
A(mm)	33.5	44.5	55.5	66.5	77.5	88.5	99.5	111	122	133	144				
L(mm)	25.6	36.6	47.6	58.6	69.6	80.6	91.6	103	114	125	136				
S(mm)	11.0	22.0	33.0	44.0	55.0	66.0	77.0	88.0	99.0	110	121				

- **Specification**

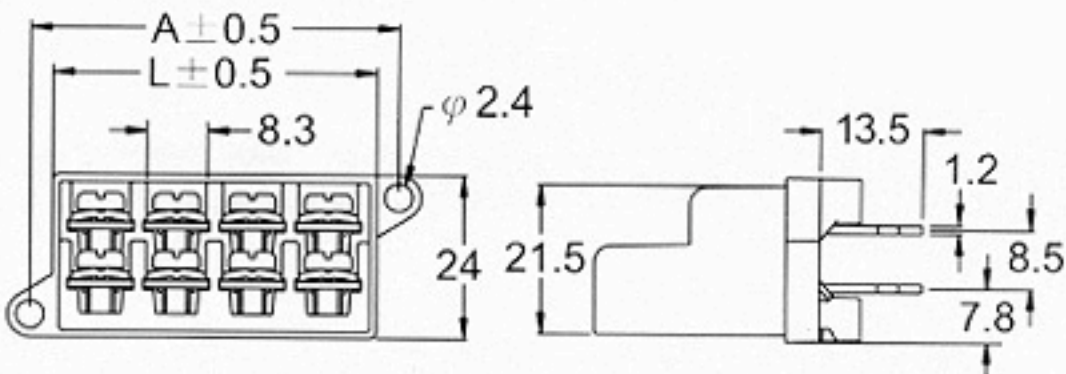
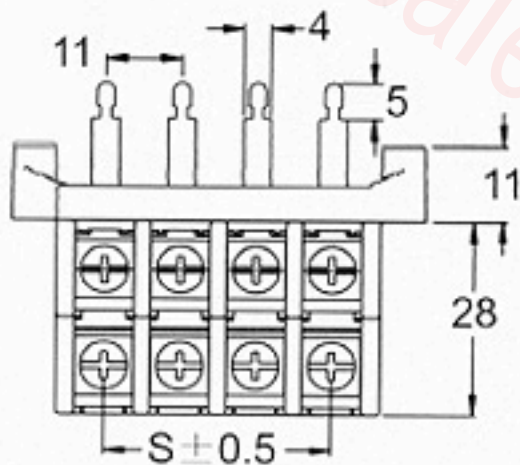
- .433" PCB Barrier Terminal Blocks
- Terminal style : 14
- Pitch : 11.00 mm



Poles	2	3	4	5	6	7	8	9	10	11	12				
A(mm)	31.5	42.5	53.5	64.5	75.5	86.5	97.5	109	120	131	142				
L(mm)	25.2	36.2	47.2	58.2	69.2	80.2	91.2	103	114	125	136				
S(mm)	11.0	22.0	33.0	44.0	55.0	66.0	77.0	88.0	99.0	110	121				

- **Specification**

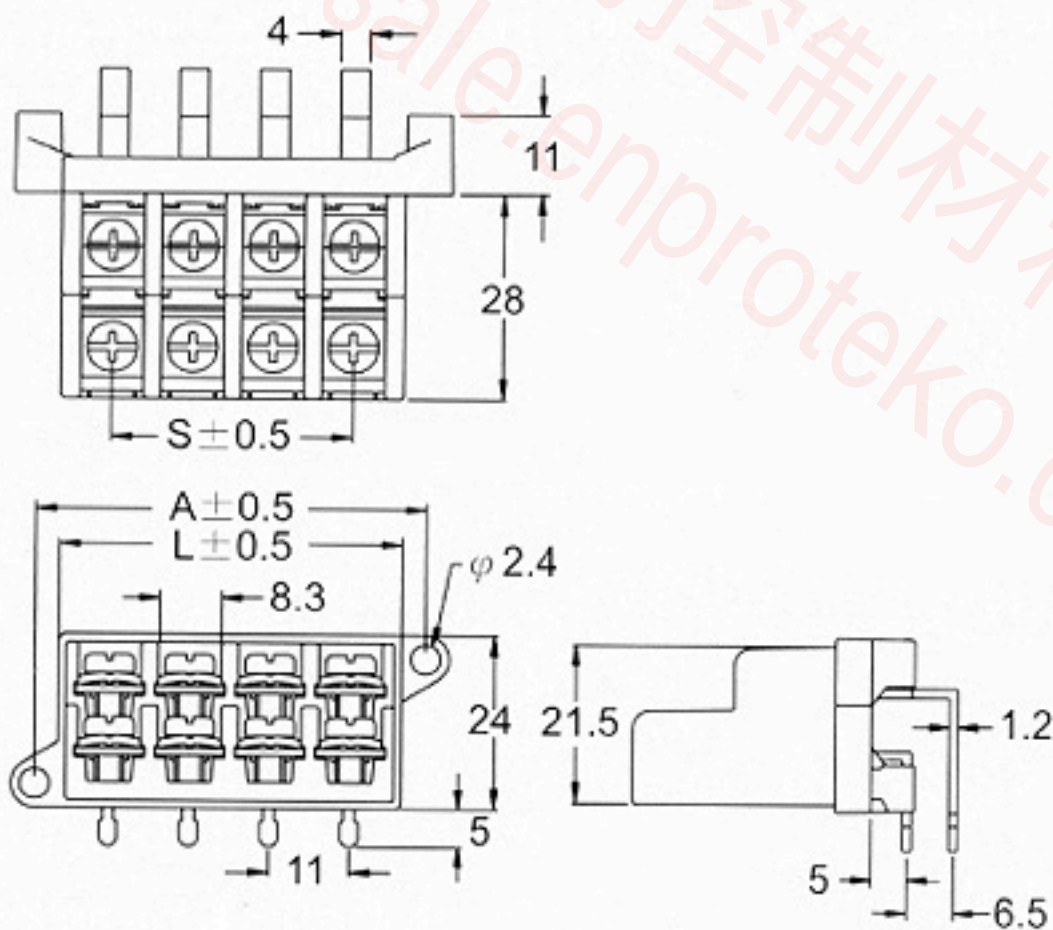
- .433" PCB Barrier Terminal Blocks
- Terminal style : 25
- Pitch : 11.00 mm



Poles	2	3	4	5	6	7	8	9	10	11	12			
A(mm)	31.5	42.5	53.5	64.5	75.5	86.5	97.5	109	120	131	142			
L(mm)	25.2	36.2	47.2	58.2	69.2	80.2	91.2	103	114	125	136			
S(mm)	11.0	22.0	33.0	44.0	55.0	66.0	77.0	88.0	99.0	110	121			

- **Specification**

- .433" PCB Barrier Terminal Blocks
- Terminal style : 34
- Pitch : 11.00 mm



Poles	2	3	4	5	6	7	8	9	10	11	12			
A(mm)	31.5	42.5	53.5	64.5	75.5	86.5	97.5	109	120	131	142			
L(mm)	25.2	36.2	47.2	58.2	69.2	80.2	91.2	103	114	125	136			
S(mm)	11.0	22.0	33.0	44.0	55.0	66.0	77.0	88.0	99.0	110	121			





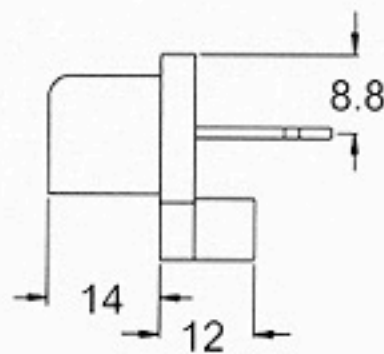
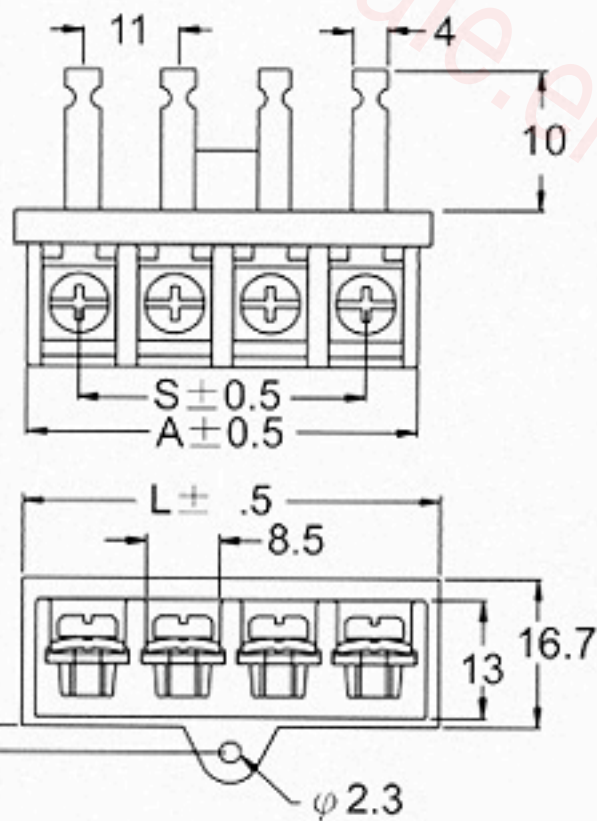
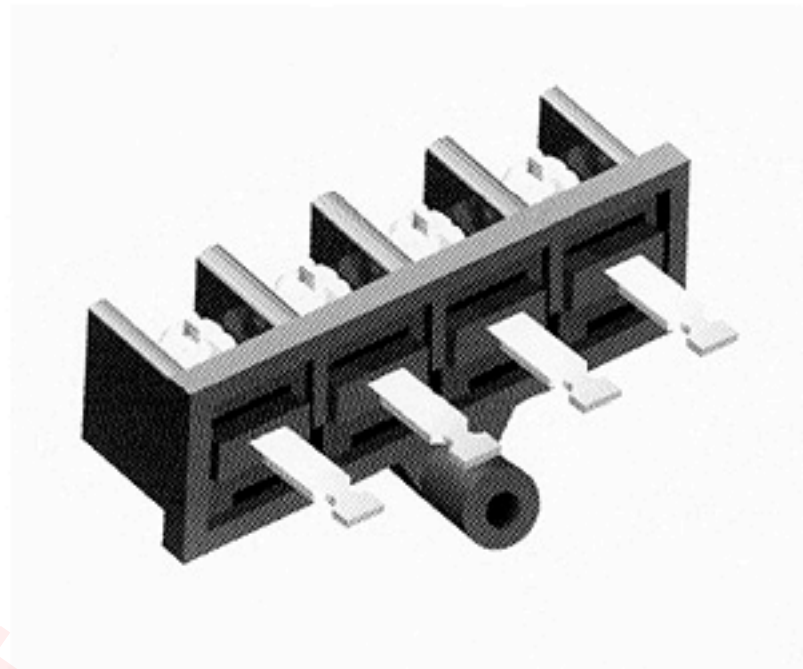






- **Sepecification**

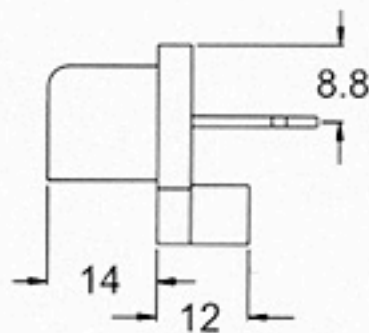
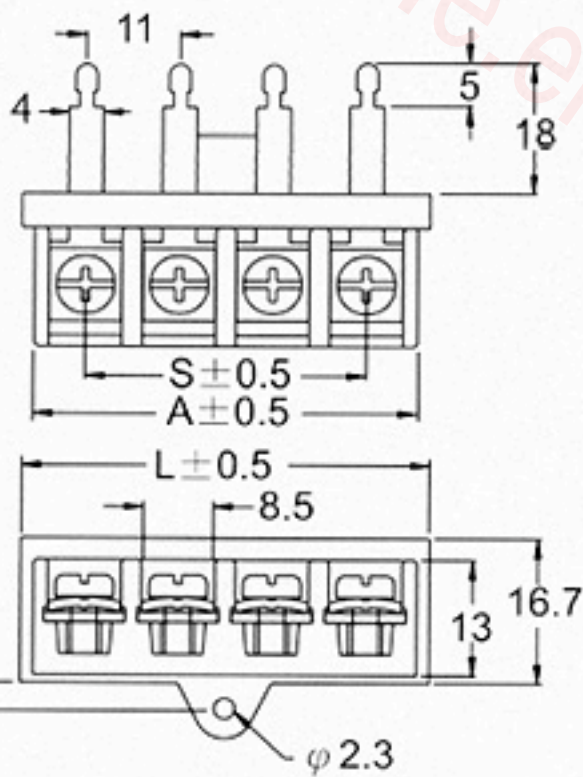
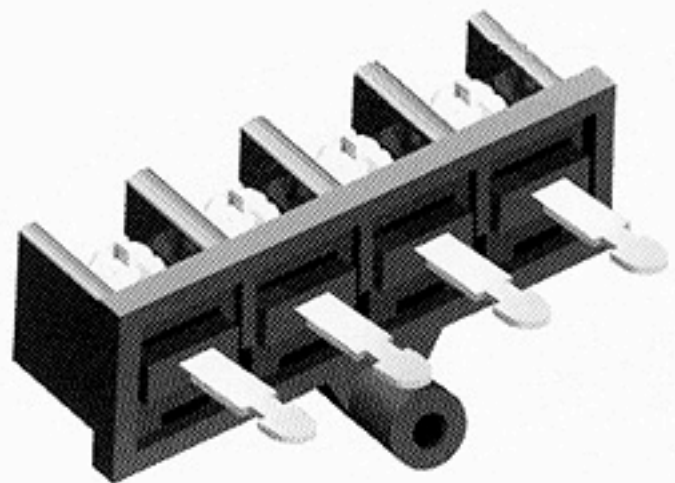
- .433" PCB Barrier Terminal Blocks
- Terminal style : 22
- Pitch : 11.00 mm



Poles	2	3	4	5	6	7	8	9	10	11	12				
A(mm)	23.0	34.0	45.0	56.0	67.0	78.0	89.0	100	111	122	133				
L(mm)	25.6	36.6	47.6	58.6	69.6	80.6	91.6	103	114	125	136				
S(mm)	11.0	22.0	33.0	44.0	55.0	66.0	77.0	88.0	99.0	110	121				

### ● Specification

- .433" PCB Barrier Terminal Blocks
- Terminal style : 24
- Pitch : 11.00 mm



Poles	2	3	4	5	6	7	8	9	10	11	12				
A(mm)	23.0	34.0	45.0	56.0	67.0	78.0	89.0	100	111	122	133				
L(mm)	25.6	36.6	47.6	58.6	69.6	80.6	91.6	103	114	125	136				
S(mm)	11.0	22.0	33.0	44.0	55.0	66.0	77.0	88.0	99.0	110	121				

