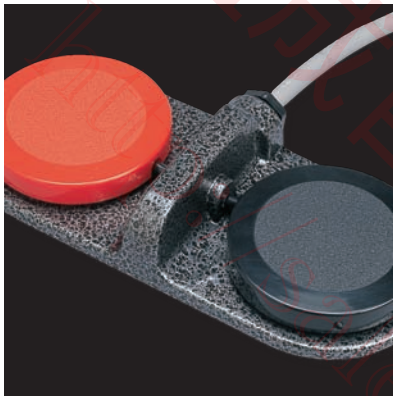



# FOOT SWITCHES

Made in Japan



Standard model  
For small device  
Mini-type for small device  
Mini-drip proof for device  
For medium device  
Many functional models  
Thin and many faculty  
For industrial rain-proof  
3 position, drip-proof type  
For industrial spraying water proof  
Seesaw style

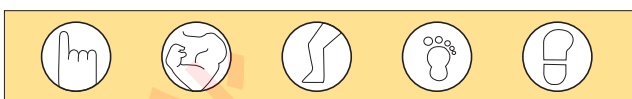


# H Series

It is thin long life, it can make 360° in many faculty of software touch and hand, leg and knee etc.



W: (White) Y: (Yellow) R: (Red) G: (Green) B: (Black)



### Features

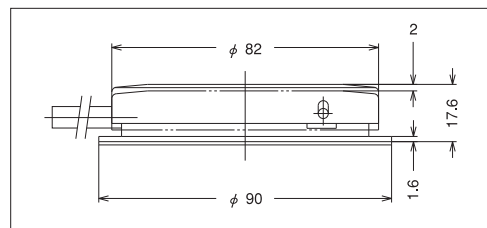
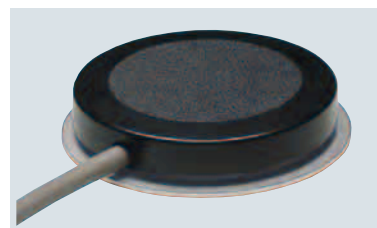
- Operation acts 360° at every position.
- Perfect to operation of hand, elbow, leg, knee.
- ABS resin of resistance impact, resistance insulation is used.
- It is economical in low price.
- 5 colors standard.

### Major Applications

Medical appliances, Measuring device, Industrial electron device, Industry sewing machine, Sound device, Education device, Communications device, Photo device, Public welfare device, Each automation device, Others

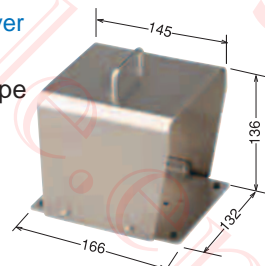
## Thin and many faculty

### ● OFL-□-H□Color Type



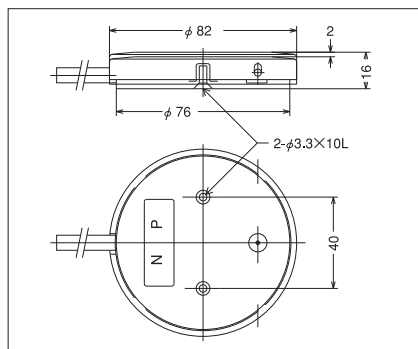
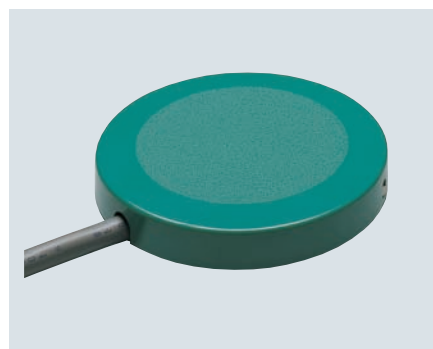
With protection cover (Option)

### ● OFL-□-HCS Type



## Low Price Type

### ● OFL-□-H2Color Type



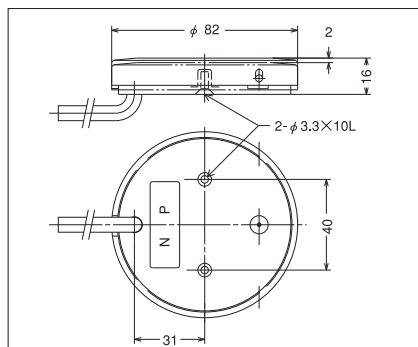
### Features

- The switch is of a low-cost, economy type.
- The switch comes with an adhesive accessory rubber base (φ76).

◆ Attachment hole 2 places (depth 10 mm). M4 tapping screw B1 is used. Tightening torque 88.2 N.

## Cord is put out from under

### ● OFL-□-H3Color Type



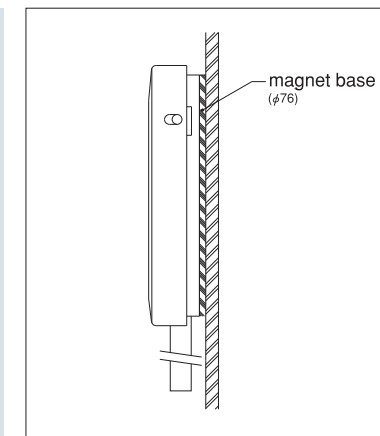
### Features

- With the cord led out from under it, the switch is a perfect choice to serve as a push-type multi-function mechanism.

◆ Attachment method is same H2.

## With magnet base

### ● OFL-□-HMColor Type



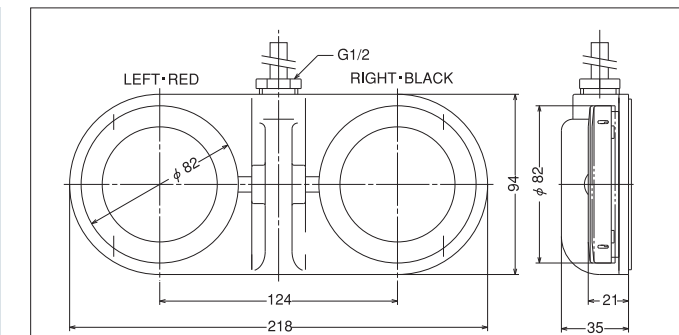
### Features

- Attachment the place of operation that it is free! Flat steel plate, easy set. (Attachment construction work is not needed.)

⚠ Please pay attention to periphery device because of strong magnetic force.

## Twin Type

### ● OFL-T□-HType



## H series

Type	Protection Cover	Function	Rating	Switch	Contact	VCTF cord	Operating force N	Weight g
OFL- S -H Color	CS	● Momentary	5A-250VAC	MICRO Switch	1a	0.75mm <sup>2</sup> 2c 1.5m	7.5 (0.8kgf)	230
OFL- S -H2 Color	○	●						150
OFL- S -H3 Color	—	●						180
OFL- S -HM Color	—	●						650
OFL-TS -H	—	● Twin Type						1c for each side
OFL-SG-H Color	—	●	0.1A-30VDC Minimum Load 1mA-5VDC	S (gold clad contact)	1a	0.75mm <sup>2</sup> 2c 1.5m	7.5 (0.8kgf)	230
OFL-SG-H2 Color	○	●						150
OFL-SG-H3 Color	—	●						180
OFL-SG-HM Color	—	●						650
OFL-TSG-H	—	● Twin Type						1c for each side

## Seal structure switch inclusion type

(IP class as indicated or equivalent)

OFL-SG5-H Color	—	●	0.1A-30VDC Minimum Load 5mA-6VDC	(IP50) S (gold clad contact)	1a	0.75mm <sup>2</sup> 2c 1.5m	7.5 (0.8kgf)	230
OFL-SG5-H2 Color	○	●						150
OFL-SG5-H3 Color	—	●						180
OFL-SG5-HM Color	—	●						180

\* CS: stainless steel cover (1,310 g in weight, approx.). If to be attached, add its weight to the weight of the switch type being used.