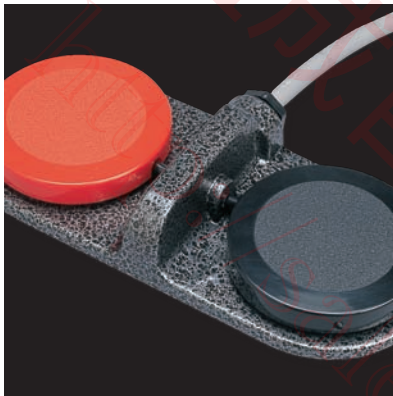



FOOT SWITCHES

Made in Japan



Standard model
For small device
Mini-type for small device
Mini-drip proof for device
For medium device
Many functional models
Thin and many faculty
For industrial rain-proof
3 position, drip-proof type
For industrial spraying water proof
Seesaw style



M4 Series

M4 pedal body is made in ABS resin and is mini-type foot switch of high credibility.



Features

- Smart design harmonizes to all devices.
- It is made in safe and strong ABS resin and it is safe in pressure operation of 1000 N.
- It can make nameplate (12 × 50) display as well of your company for OME.
- 2 color of gray and black is standard.
(OFL-SA-M4, OFL-SA5-M4, OFL-SA-M45 is only gray.)

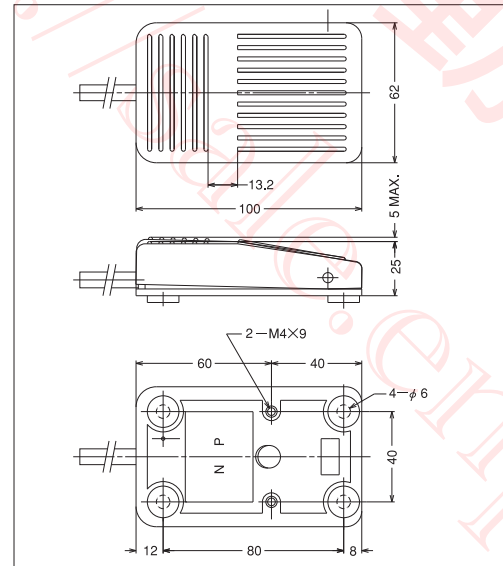
Mini-type for small device

● OFL-□-M4 Type (Backward fulcrum)

● OFL-V-M4 Type



● OFL-IV-M4 Type



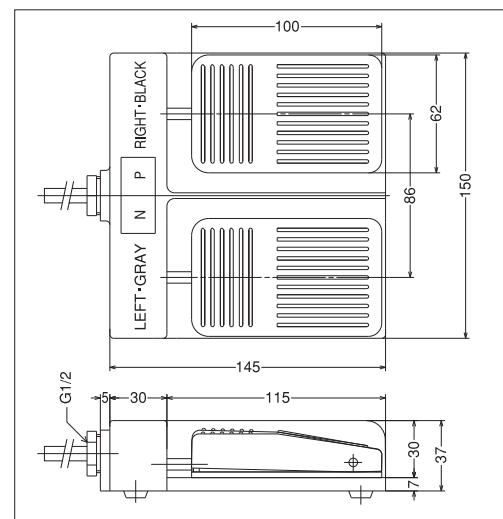
Twin Type

● OFL-T□-M4 Type (Backward fulcrum)

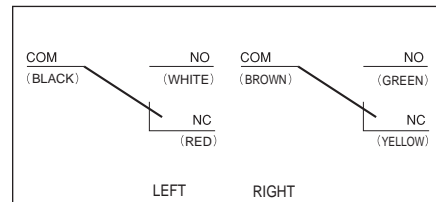


Major Applications

- Most appropriate to operation of electromagnet switch and 2 circuits.

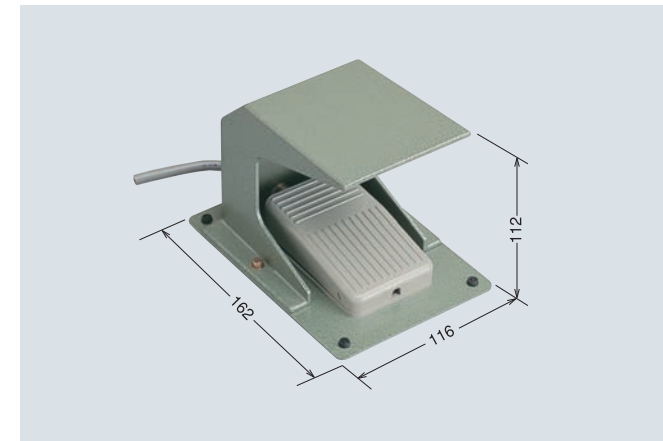


◆ Contact and sender wire classification by color
Each side SPDT



Protection cover

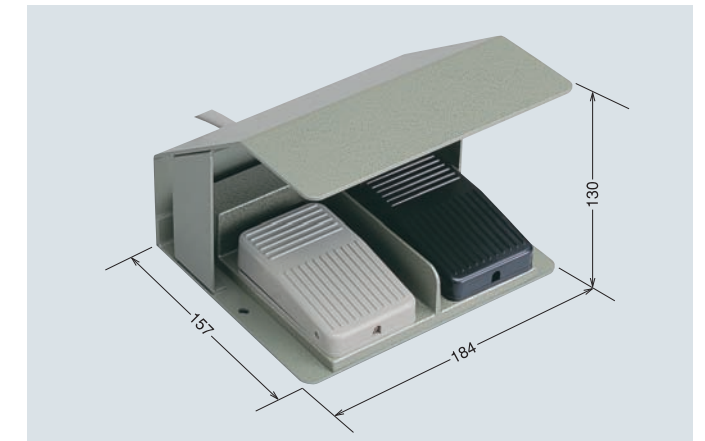
● OFL-□-M4Type



※ This protection cover may be used in common for the S3, M3, M4, S5, and P types. (See P31.)

Twin Type Protection cover

● OFL-T□-M4Type



※ This twin-type protection cover may be used in common for the S3, M3, M4, and FS2 types. (See P31.)

M4 series

If marked ○, the type permits the use of the cover.

Type	Color	Protection Cover		Function		Rating	Switch	Contact	VCTF cord	Operating force N	Weight g (approx.)
		C	CS	Momentary	Alternate						
OFL-V-M4	Black	○	○	●	—	6A-250VAC	MICRO Switch	1a	VFF 0.75mm ² 2c 2m	10 (1.0kgf)	150
OFL-1V-M4	Gray	○	○	●	—			1c	0.75mm ² 3c 1m		170
OFL-TV-M4	Black·Gray	○	—	●	—	0.1A-30VDC (Minimum Load 2mA-12VDC 1mA-24VDC)	V (gold clad contact)	1c for each side	0.75mm ² 6c 1.5m		920
OFL-VG-M4	Black	○	○	●	—			1c	0.5mm ² 3c 2m		200
OFL-TVG-M4	Black·Gray	○	—	●	—	5A-250VAC	S	1c for each side	0.5mm ² 6c 1.5m	870	
OFL-SA-M4	Gray	○	○	—	●			1c	0.5mm ² 3c 1.5m	200	

Seal structure switch inclusion type

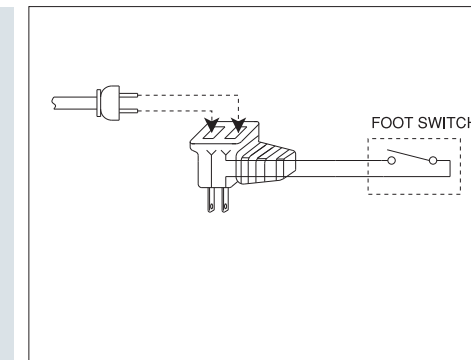
(IP class as indicated or equivalent)

OFL-VG5-M4	Gray	○	○	●	—	0.1A-30VDC	V (IP67)	1c	0.75mm ² 3c 25cm	10 (1.0kgf)	100
OFL-SA5-M4	Gray	○	○	—	●	2A-250VAC	S (IP50)	1c	0.5mm ² 3c 1.5m	200	

※ The protection cover OFL-C weighs 610 g (approx.) while the new protection cover OFL-CS (stainless steel, optional) weighs 1,310 g (approx.). If to be attached, add its weight to the weight of the switch type being used.

With middle plug socket

● OFL-□-M45 Type (Backward fulcrum)



Features

- It is a slot of AC100V·2 P plug and middle switch can be operated.
- ABS resin product and wiring construction work is not needed.
- It is small, solidity and it is economical.
- Size is same M4.

M45形

Type	Color	Protection Cover		Function		Rating	Switch	Contact	VCTFK cord	Operating force N	Weight g (approx.)
		C	CS	Momentary	Alternate						
OFL-V-M45	Gray	○	○	●	—	6A-125VAC	V	1a	1.25mm ² 2c 2.5m	10 (1kgf)	280
OFL-SA-M45	Gray	○	○	—	●	5A-125VAC	S	1a			