

AUSPICIOUS CONTROL COMPONENTS



2010-A





22, 25, 30 mmφ SERIES CONTROL UNITS GENERAL INFORMATION

Rating

AC	DC
120V/6A	120V/2.2A
240V/3A	240V/1.1A
480V/1.5A	480V/0.4A
600V/1.2A	

Rated thermal current: 10A
 Rated insulation voltage 600V AC/DC

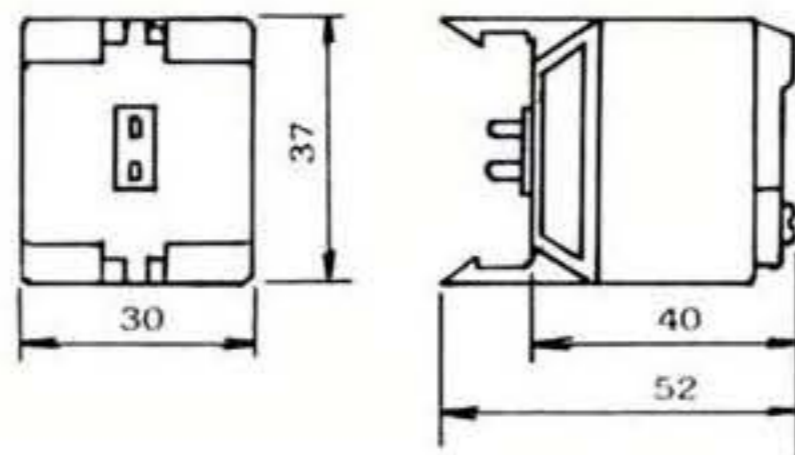
General Specification

Ambient temperature – 20 to +60°C
 Contact resistance: 50mΩ max.
 Insulation resistance: 100mΩ min.
 Dielectric strength: 2500V AC 1 min (between live and dead parts),
 (Full voltage units: 1000V AC, 1 min).
 Mechanical life: Push button, Illuminait push button
 Memotary 3,000,000
 Selector Sw. 500,000
 Electrical life: 500,000 operating frequency 30 operation/min Duty rate 40%

NOTE: Transformer units of 110, 220, 240, or 440V 50/60HZ rating can be used on a primary voltage of 100, 200, or 400V respectively.

Component Parts

Transformer

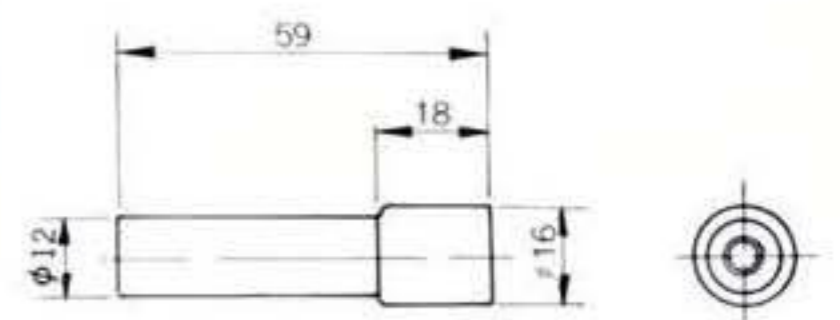


E-10 BULB
 S-9 BULB

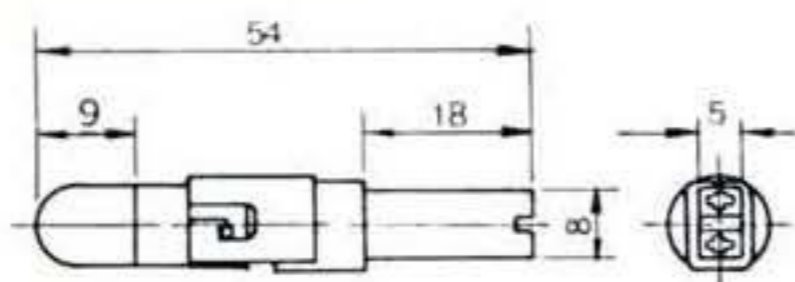


6V. 12V. 24V. 30V. 36V. 48V.
 NEON : 110V 220V 380V
 440V.

Lamp holder tool



Lamp Holder

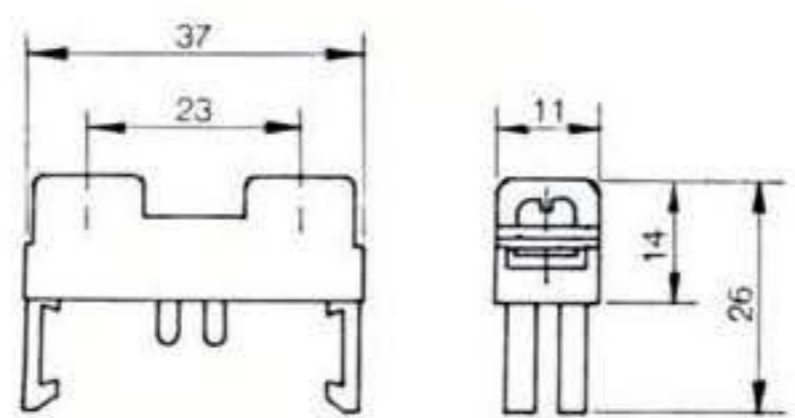
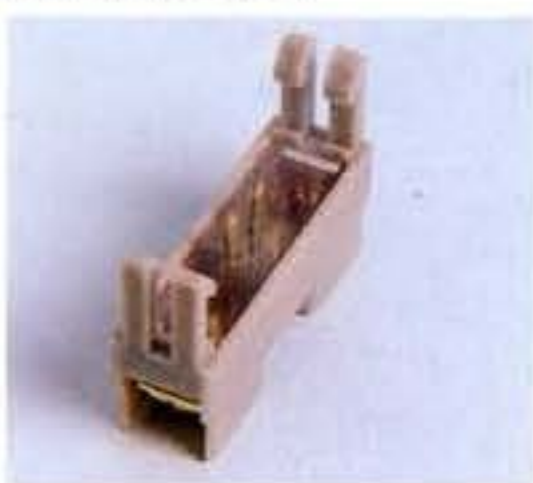


S-9 Led lamp



Rated Voltage
 6V , 12V , 24V
 110V/ 120V
 220V/ 240V
 colour : Red , Green , Orange
 Yellow , Blue , White

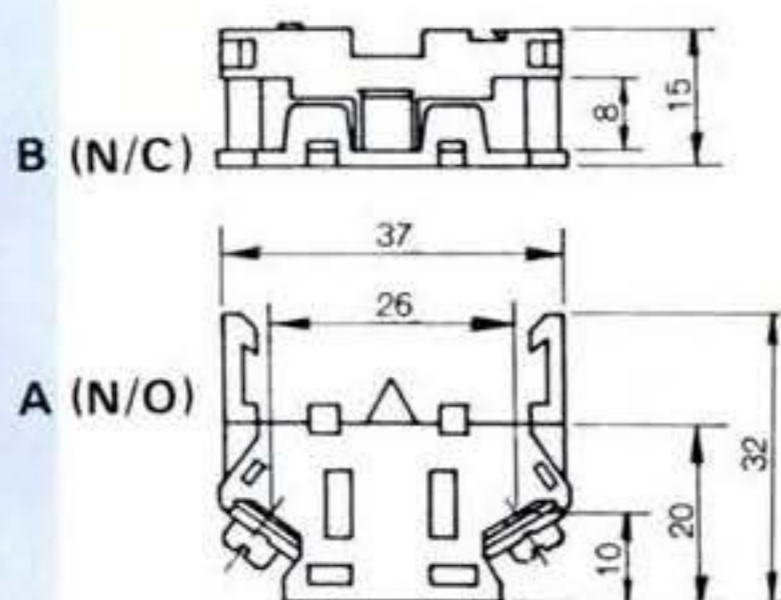
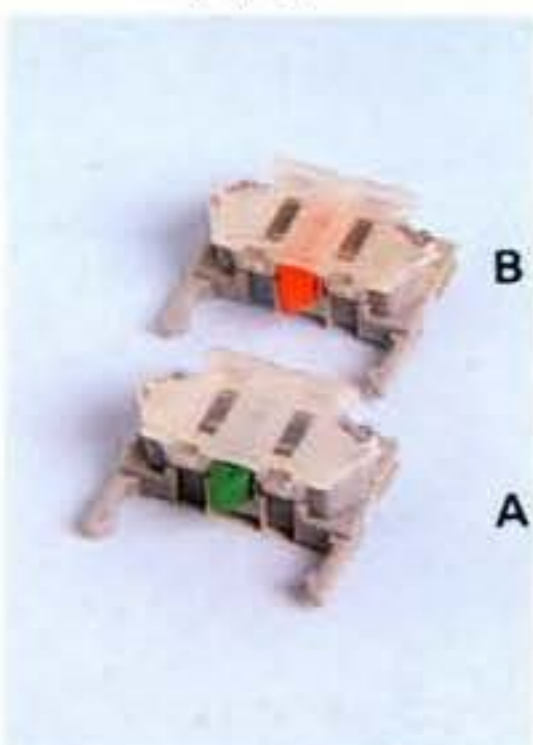
Direct adaptor



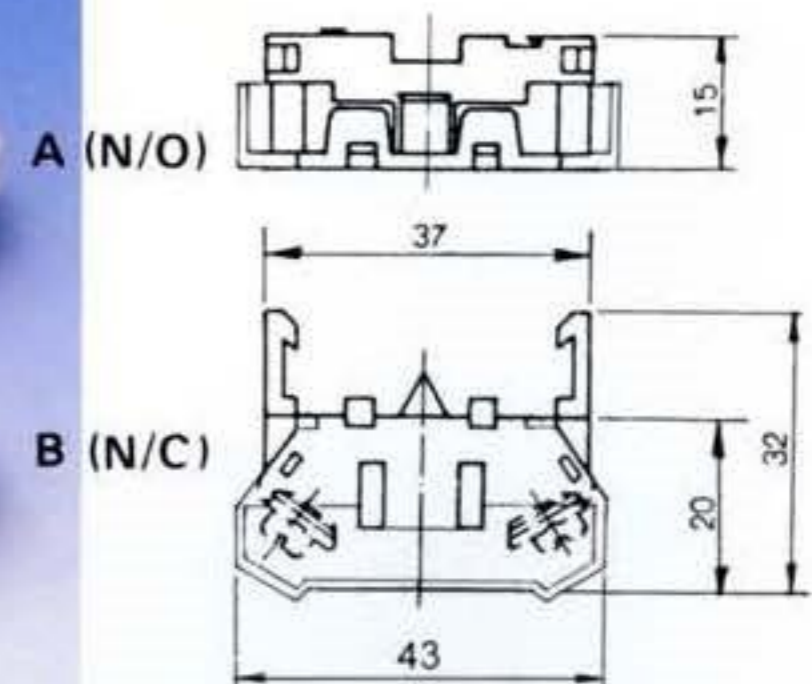
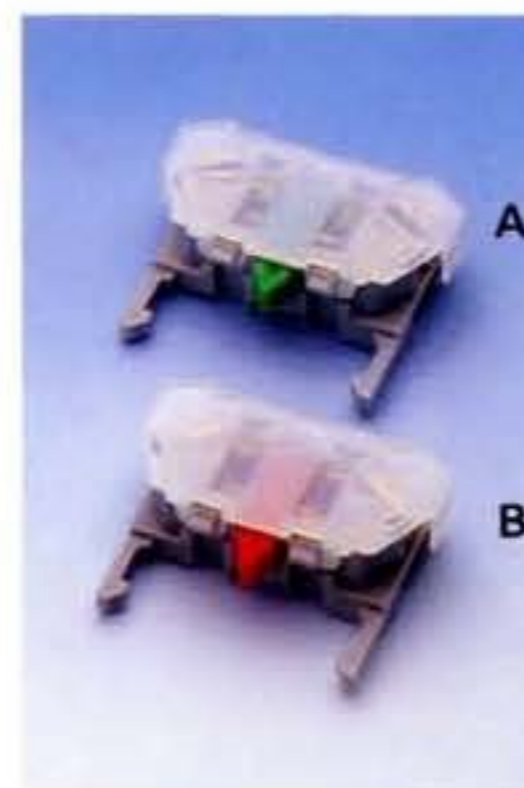
Contact block

A (N/O)

B N/C



Contact Block finger protect



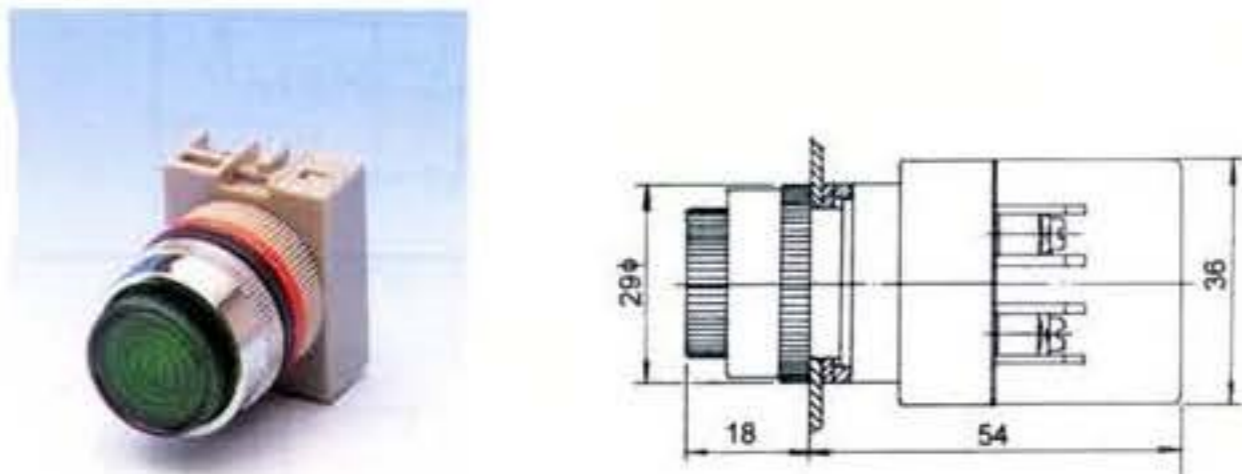


PILOT LAMP 22φ, 25φ, 30φ

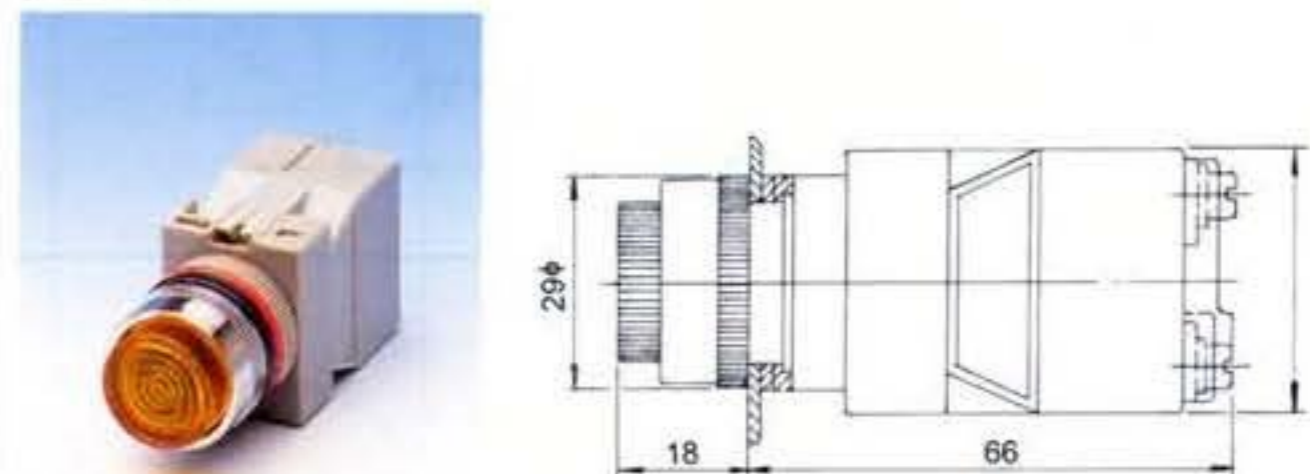
ANPL	—	22	2	R	
Type	Mounting hole	Voltage rating		lens color	
ANPL: Direct type ATPL: Transformer type	22: 22φ 25: 25φ 30: 30φ	1	110V	R: Red G: Green Y: Yellow B: Blue W: White	
		2	220V		
		3	380V		
		4	440V		
		5	6V		Direct type only
		6	12V		
		7	24V		

SPECIFICATION

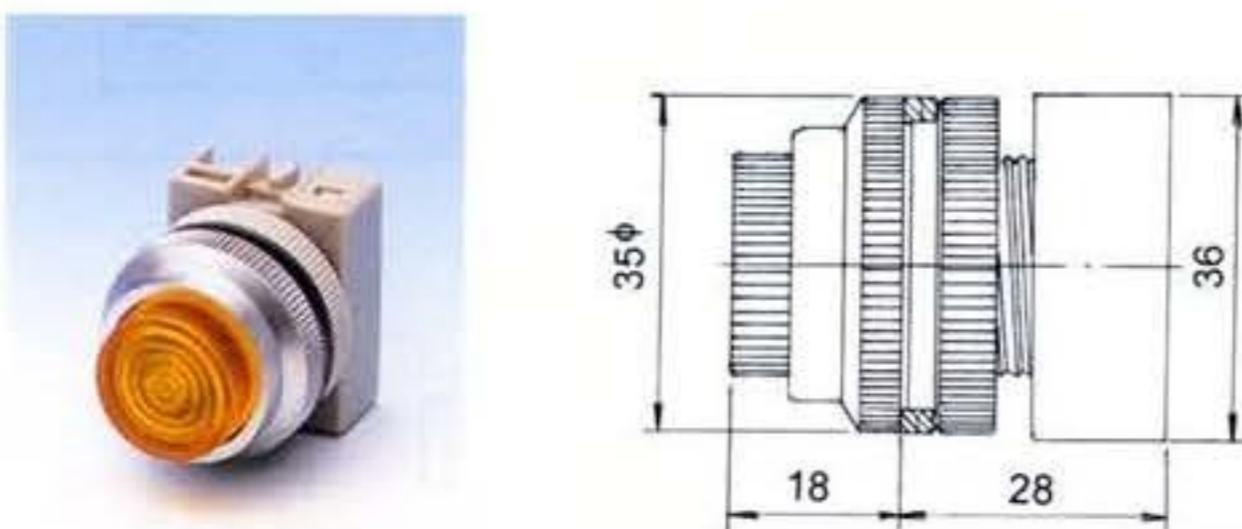
ANPL-22 NEON PILOT LIGHT
ANPL-25



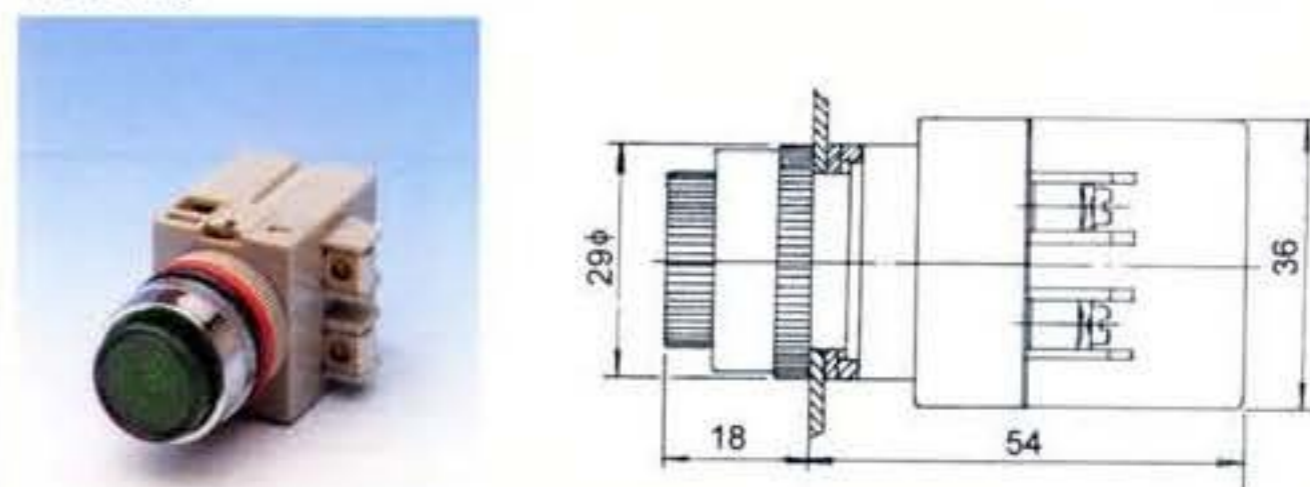
ATPL-22 TRANSFORMER PILOT LIGHT
ATPL-25



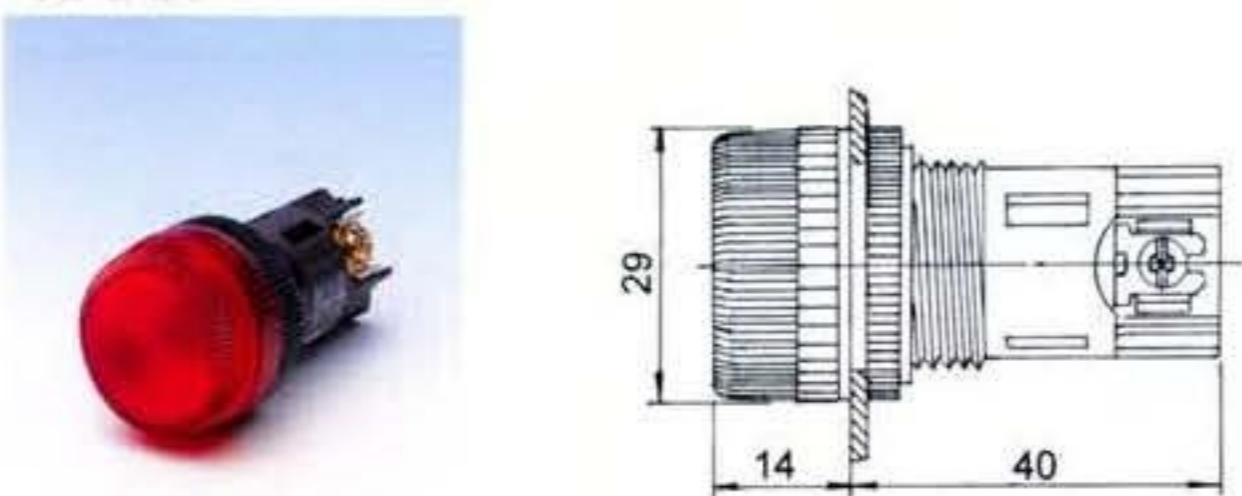
ANPL-30 NEON PILOT LIGHT



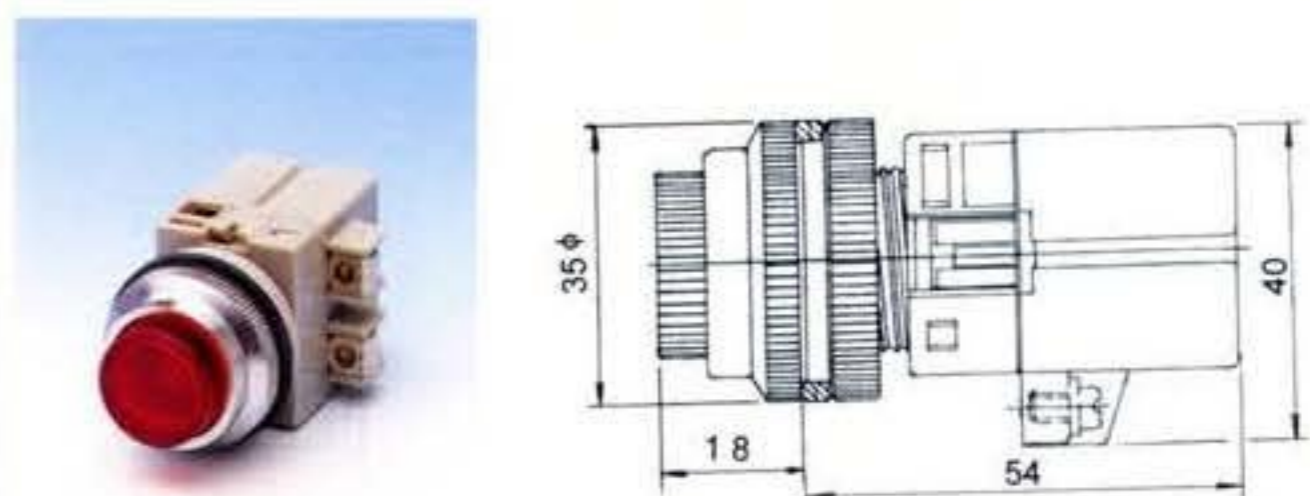
TPL-22 TRANSFORMER PILOT LIGHT
TPL-25



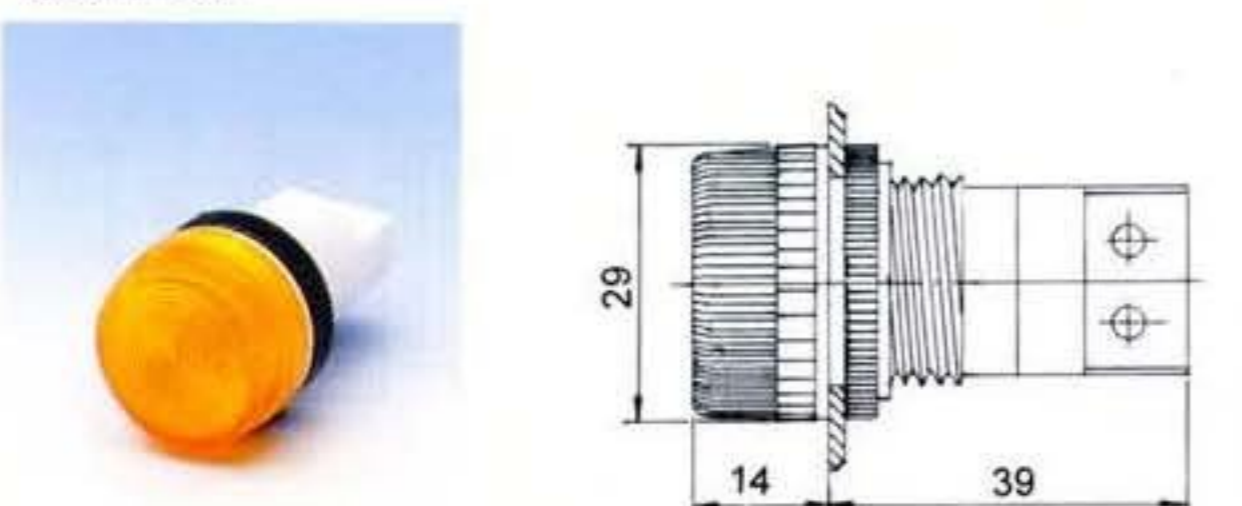
NPL-22 NEON PILOT LIGHT
NPL-25



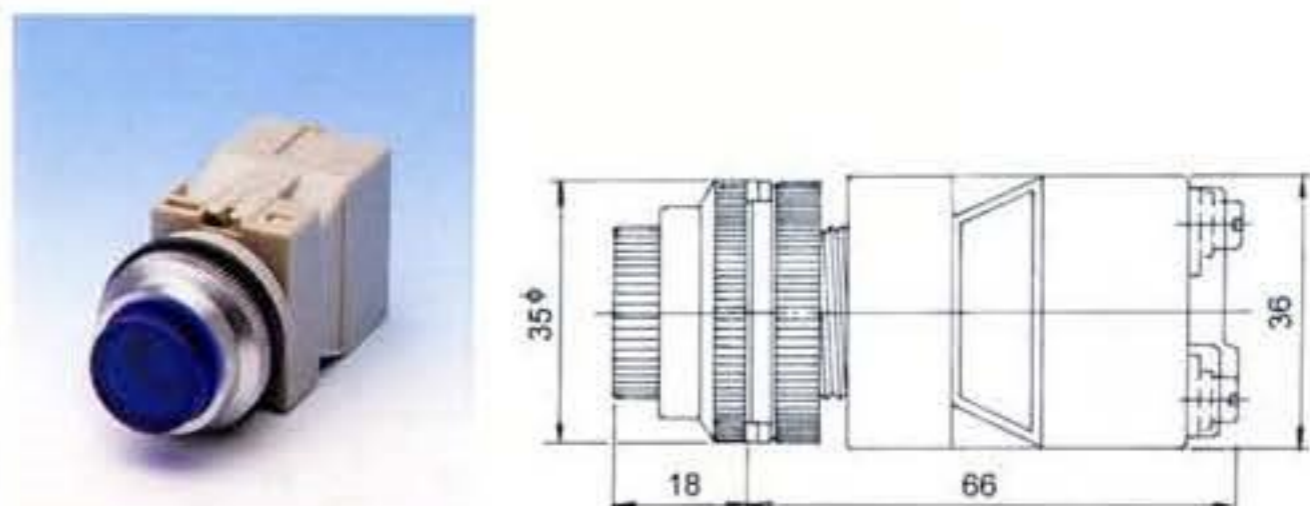
TPL-30 TRANSFORMER PILOT LIGHT



SNPL-22 NEON PILOT LIGHT
SNPL-25



ATPL-30 TRANSFORMER PILOT LIGHT



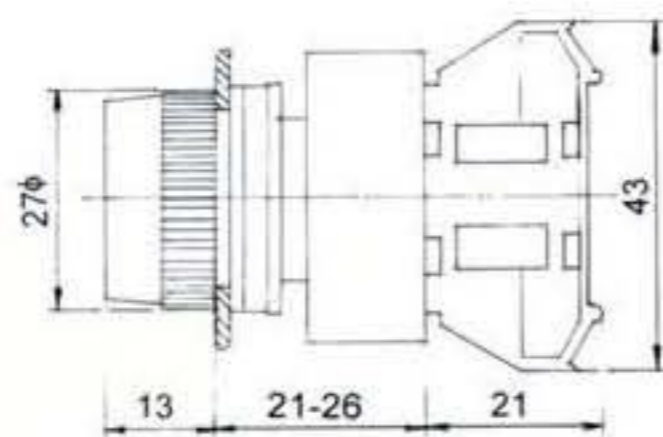
PUSH BUTTON SWITCH 22φ, 25φ, 30φ



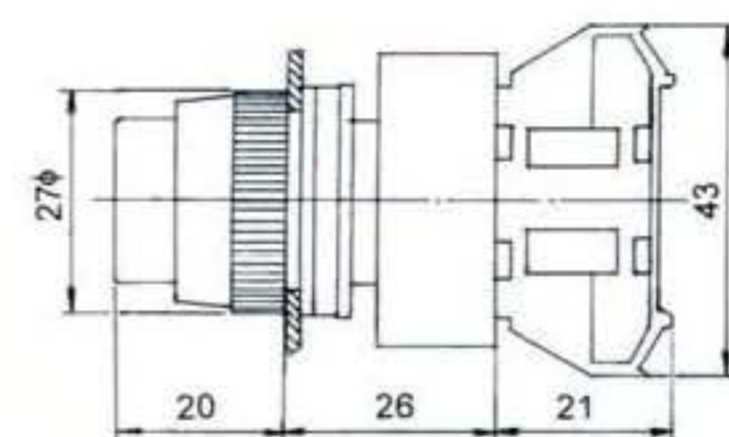
Type	Mounting hole	No. of contact	Type of contact	Head color
APB: Standard head	22: 22mmφ	1-4	O : N/O (a) (1/O)	R : Red
AEPBS: Small mushroom head	25: 25mmφ		C : N/C (b) (1/C)	G : Green
AEPB: Mushroom head	30: 30mmφ		O/C : N/O+N/C (1O/C)	Y : Yellow
ALEPB: Push Lock			(1a+1b)	BK : Black BL : Blue

SPECIFICATION

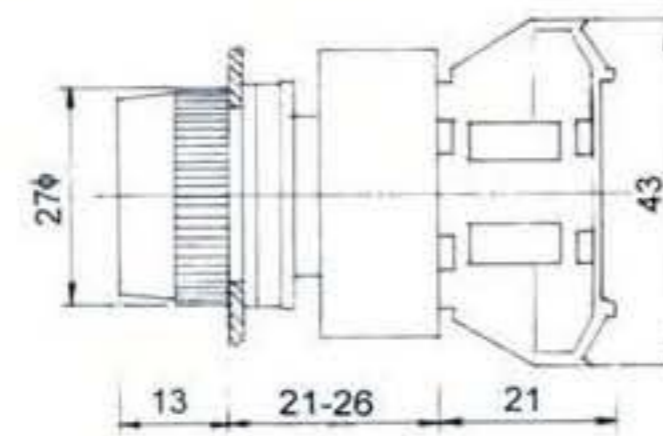
APB 22-1/O



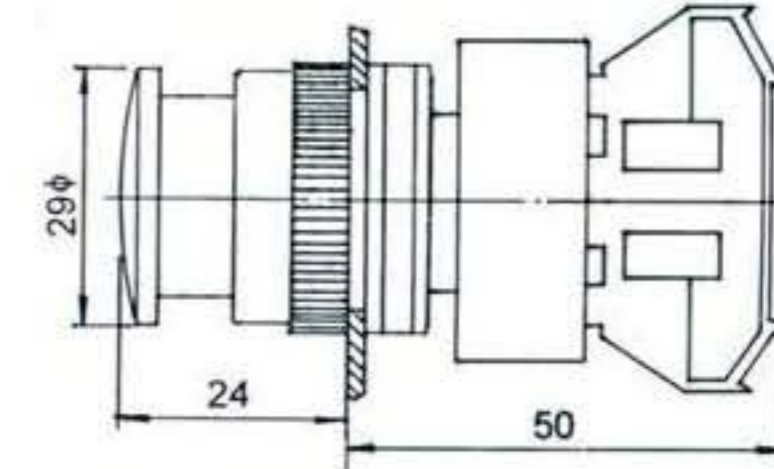
APBL 22-1O/C



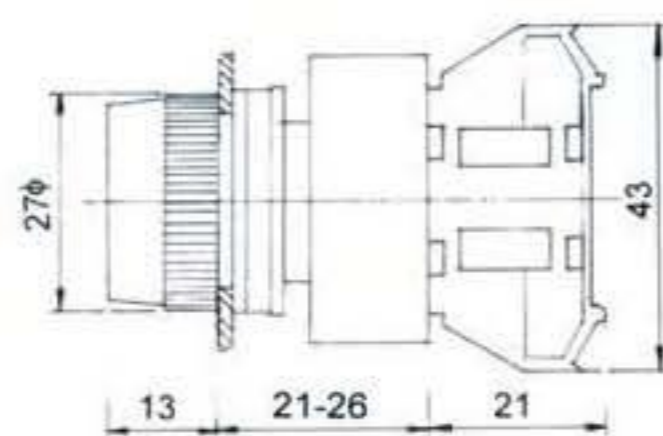
APB 22-1/C



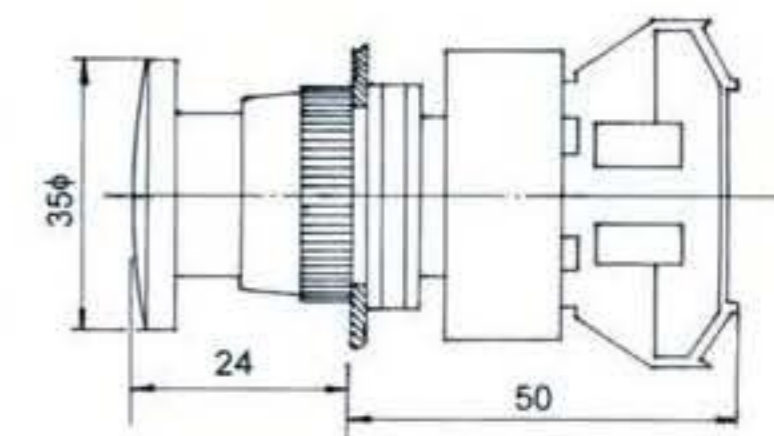
AEPBS 22-1/O, AEPBS22-1/C



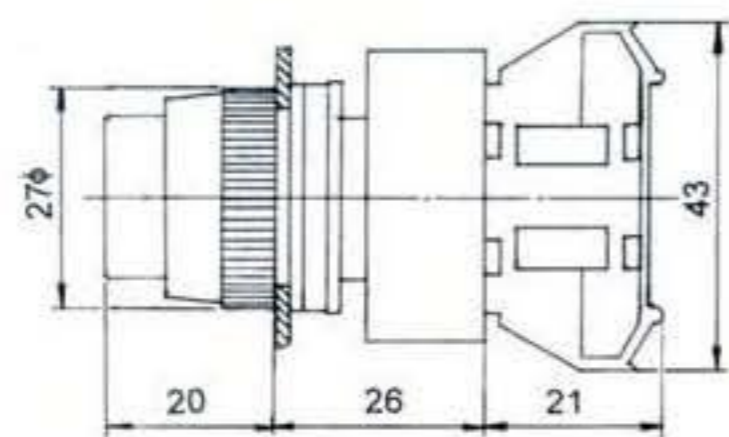
APB 22-1O/C



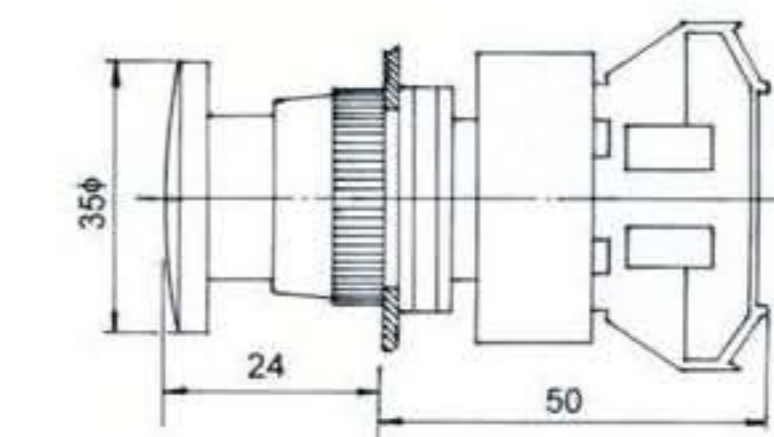
AEPB 22-1/C



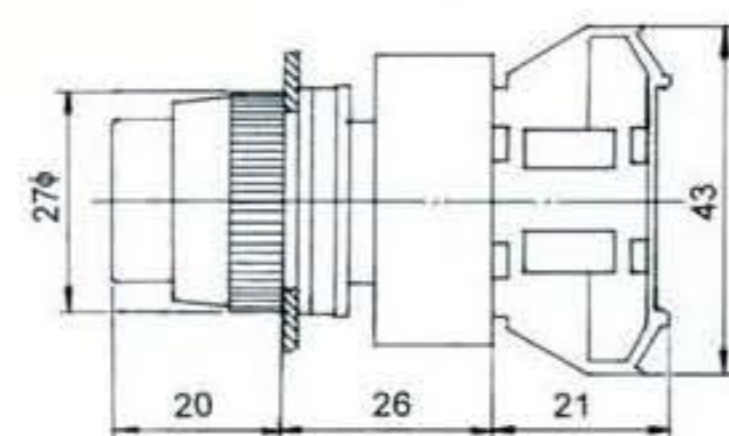
APBL 22-1/O



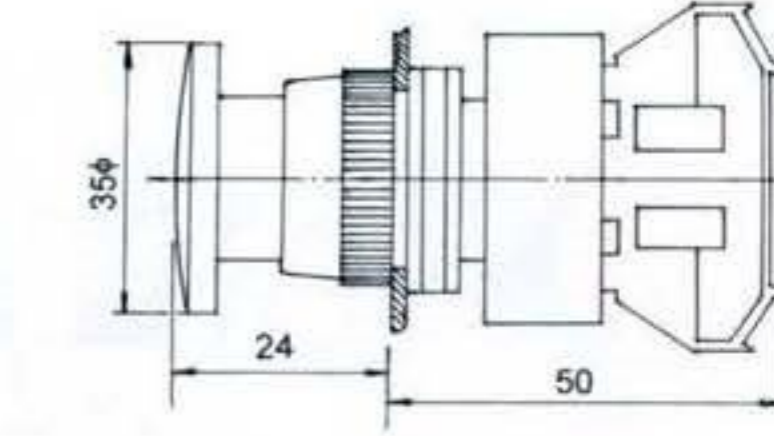
AEPB 22-1O/C



APBL 22-1/C



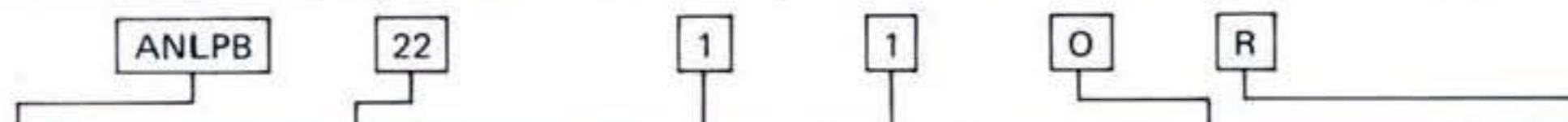
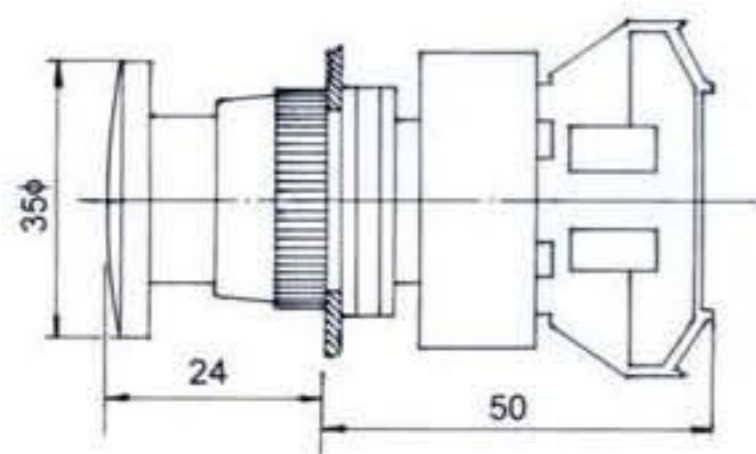
ALEPB 22-1/C Emergency stop



ILLUMINATED PUSH BUTTON SWITCHES



ALEPB 22-10/C

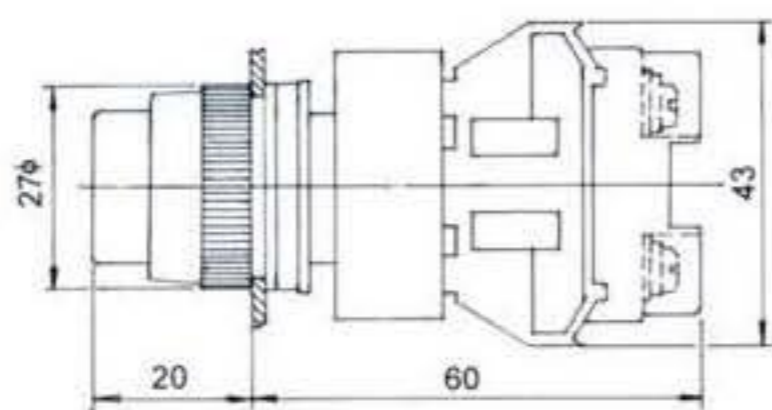


Type	Mounting hole	Voltage	No. of Contact	Type of contact	Lens color
ANLPB: Direct type	22: 22mmφ	1 110V	1-4	O: N/O (a)	R: Red
ATLPB: Transformer type	25: 25mmφ	2 220V		C: N/C (b)	G: Green
NI-EPB: Direct type	30: 30mmφ	3 380V		O/C: N/O+N/C (a + b)	Y: Yellow
TI-EPB: Transformer type		4 440V			B: Blue
NI-LEPB: Direct type		5 12V			W: White
TI-LEPB: Transformer type		6 24V			
		7 30V			

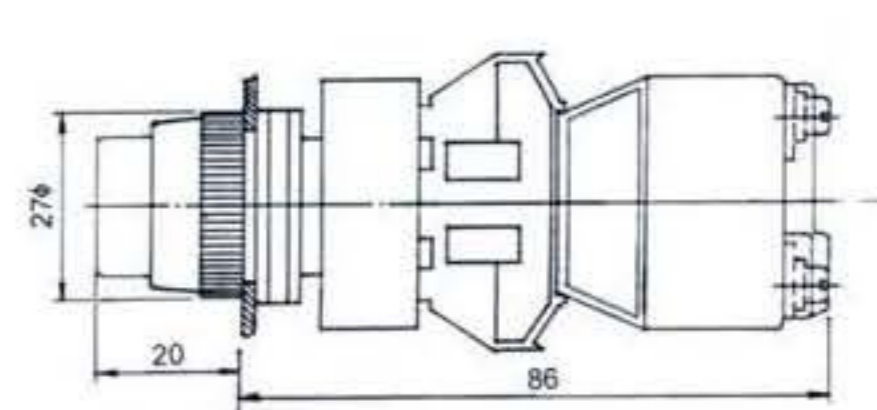
SPECIFICATION

ILLUMINATED PUSH BUTTON SWITCHES

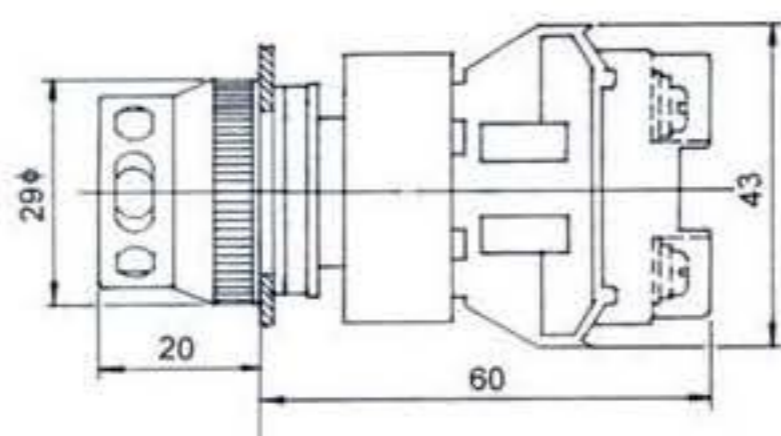
NLPB 22-10/C



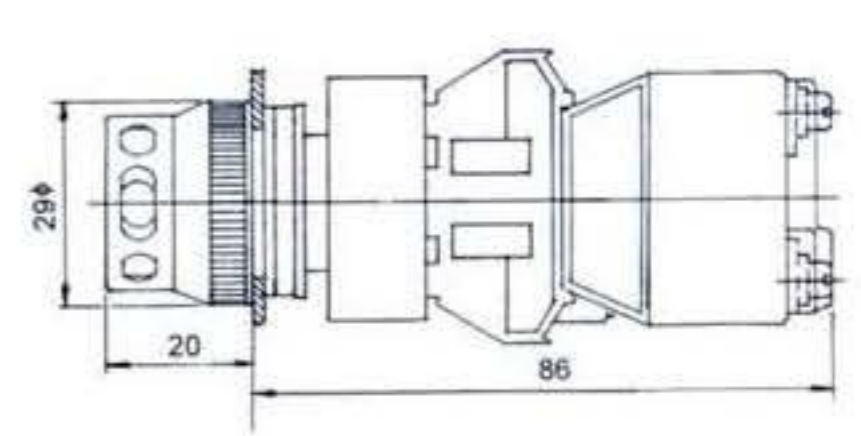
TLPB 22-10/C



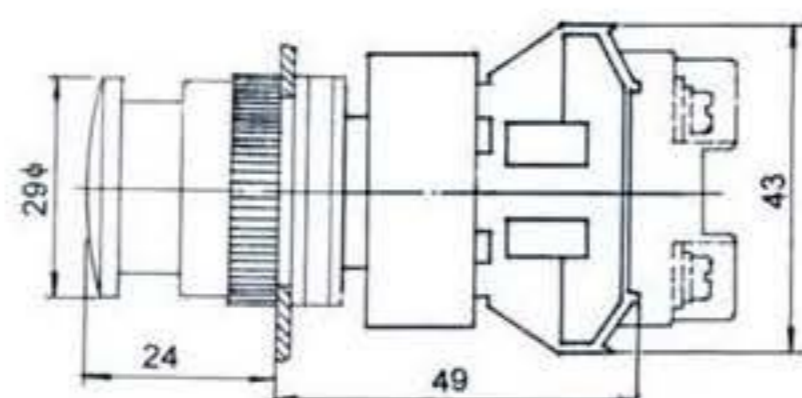
NFLPB 22-10/C



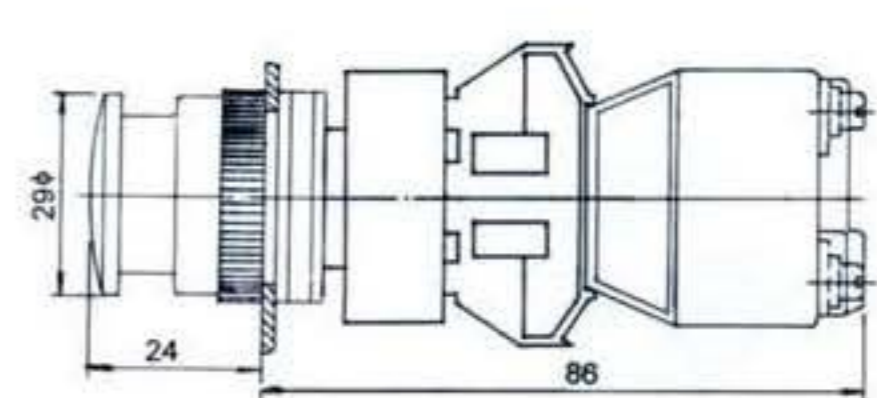
TFLPB 22-10/C



ANLPB 22-10/C



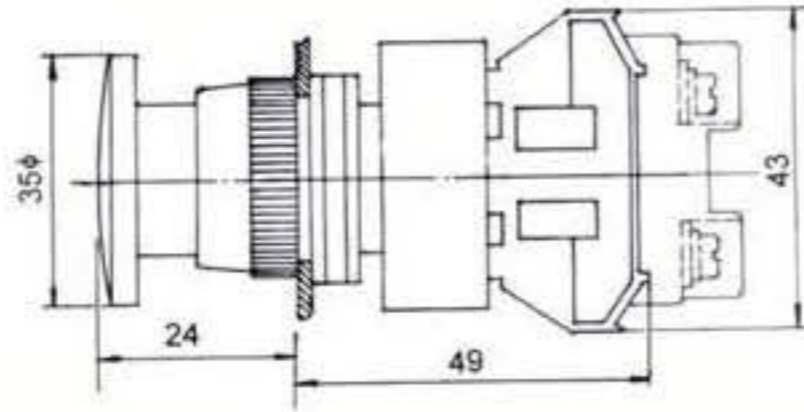
ATLPB 22-10/C



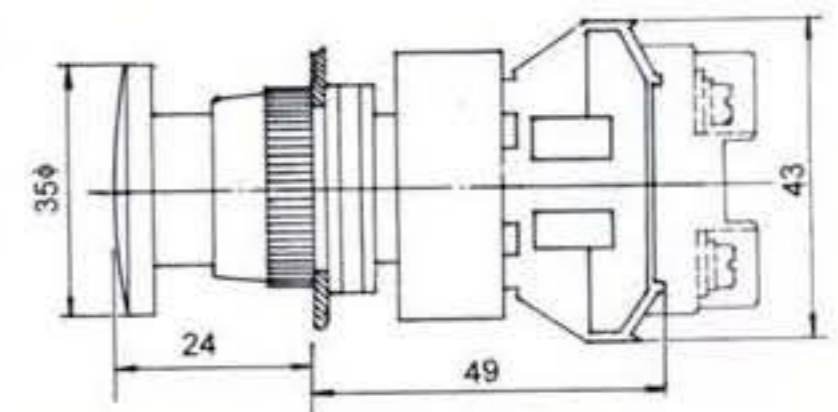


ILLUMINATED PUSH BUTTON SWITCH

NIEPB 22-10/C

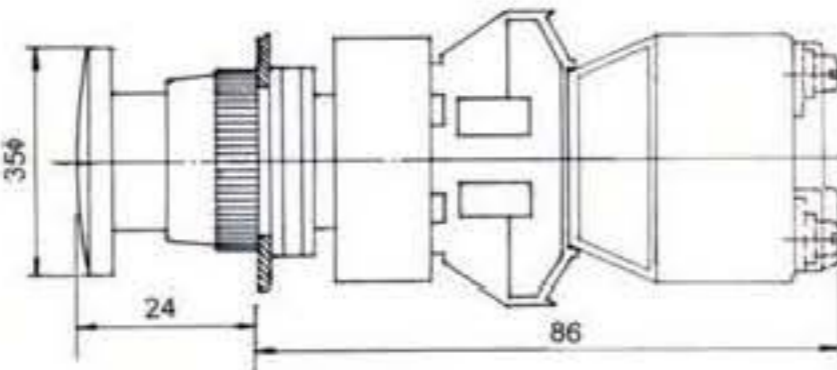


NILEPB 22-10/C

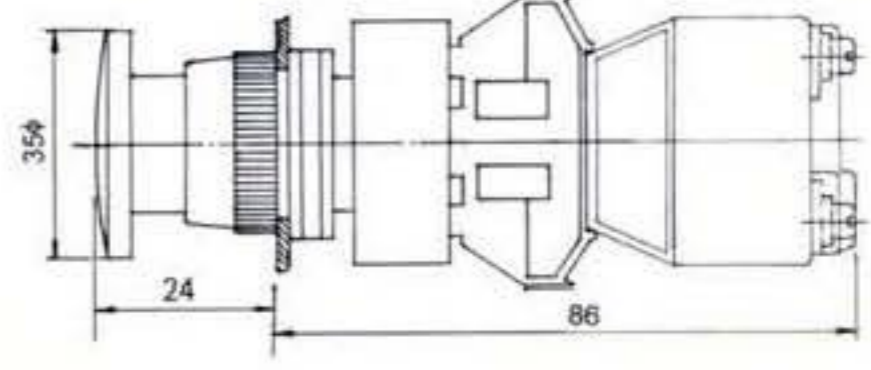


Emergency stop

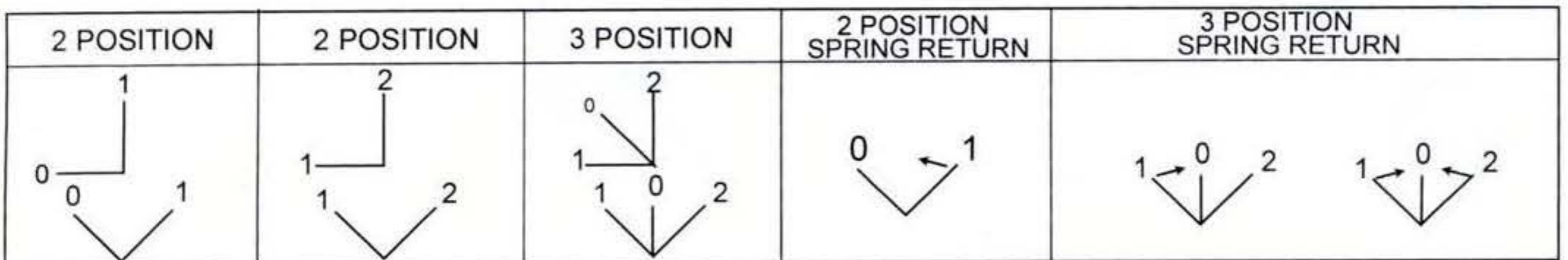
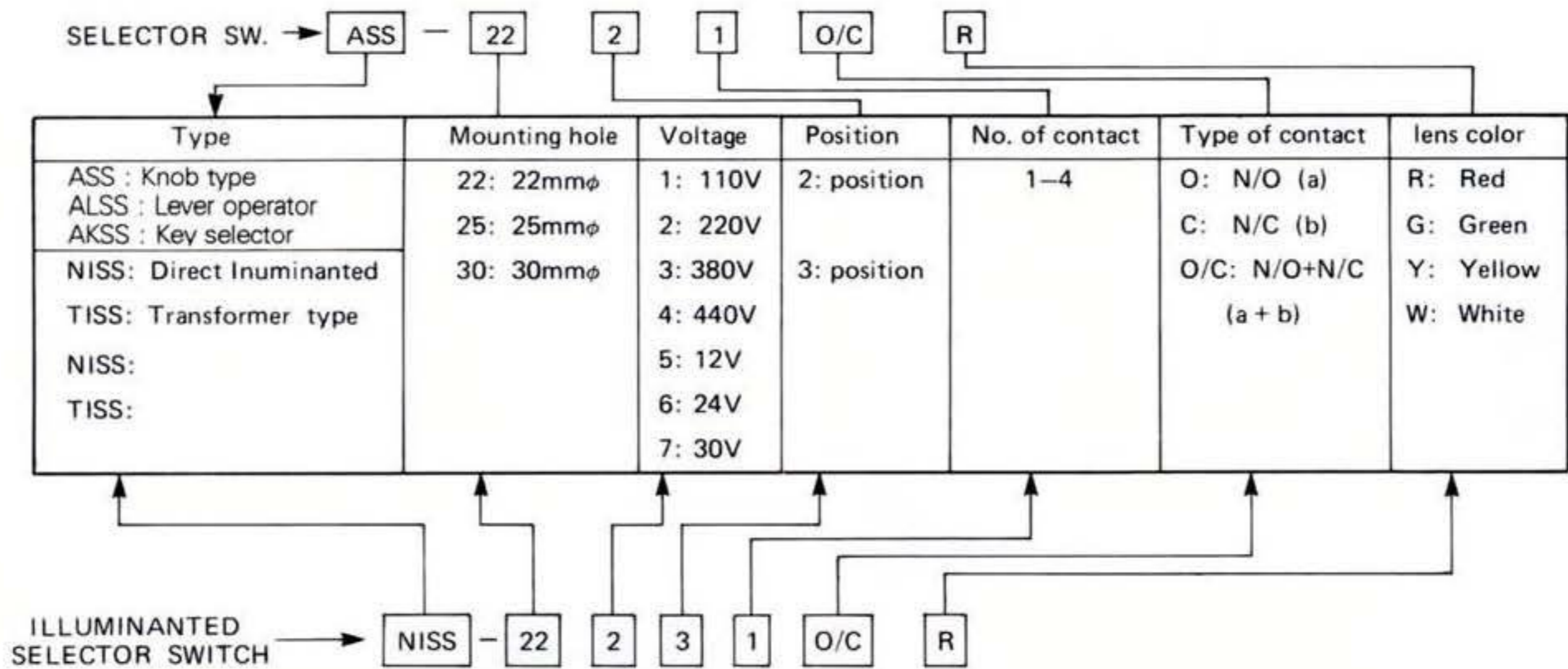
TIEPB 22-10/C



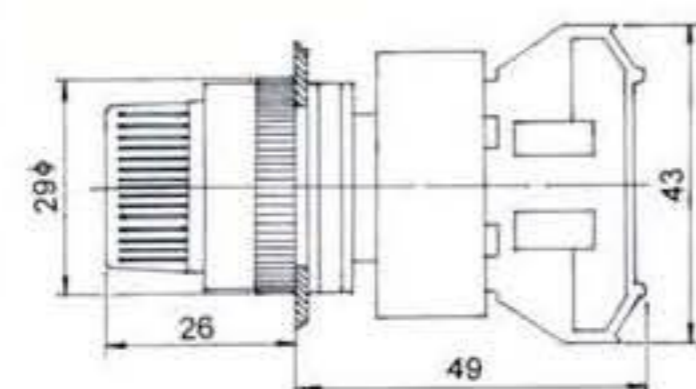
TILEPB 22-10/C



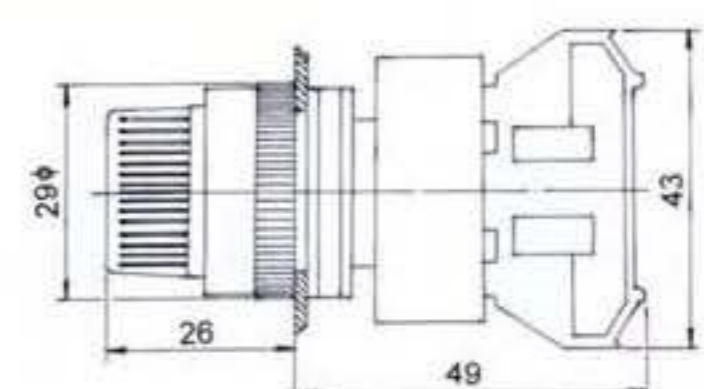
SELECTOR SWITCHES



ASS 22-1/O ,0-1



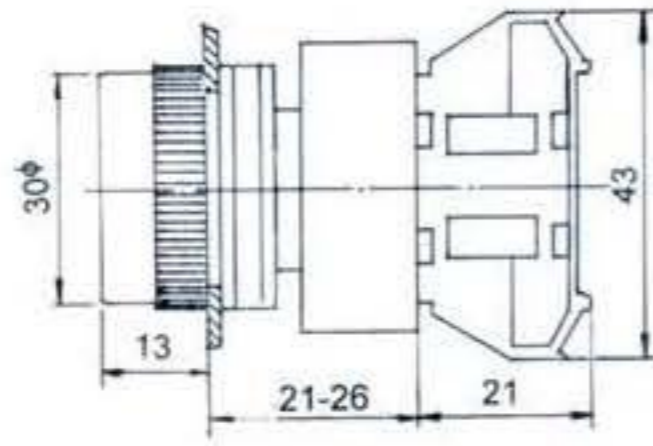
ASS 22-10/C, 1-2
ASS 22-2/O, 1-0-2



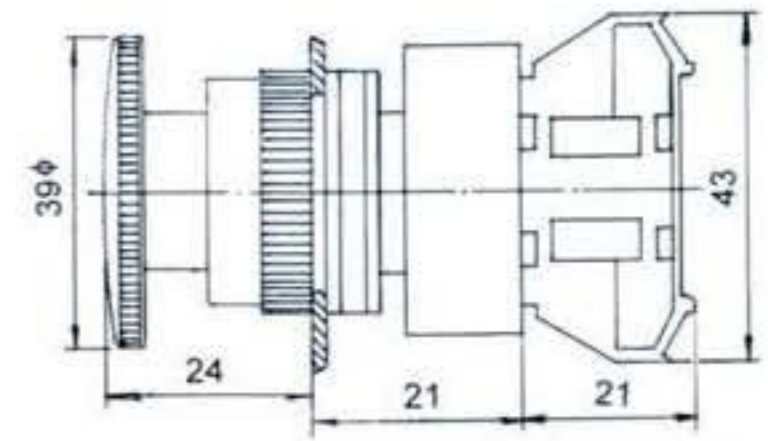


PUSH BUTTON SWITCHES 25φ

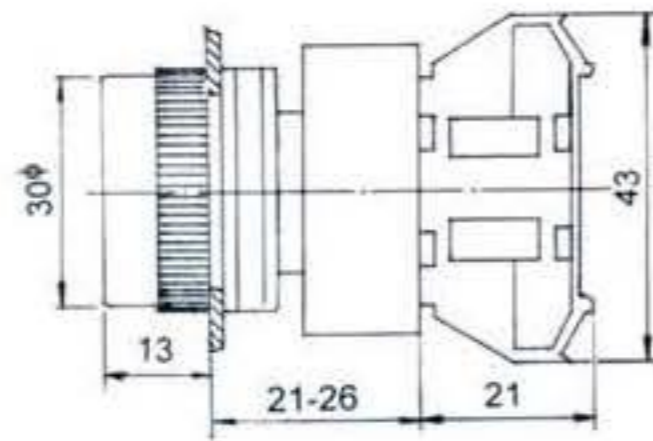
APB 25-1/O



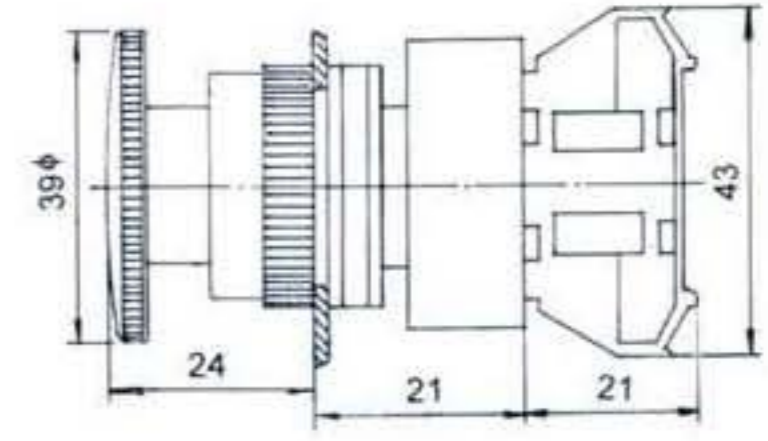
ALEPB 25-1/C



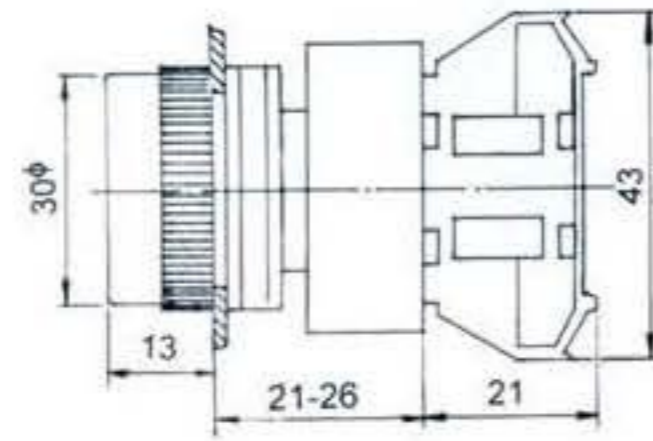
APB 25-1/C



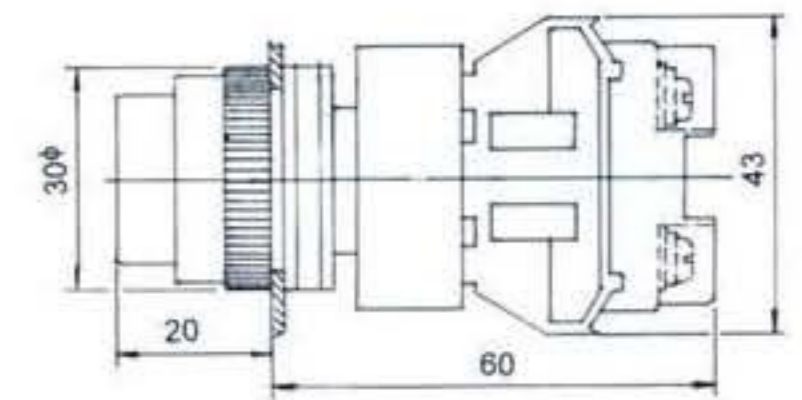
ALEPB 25-10/C



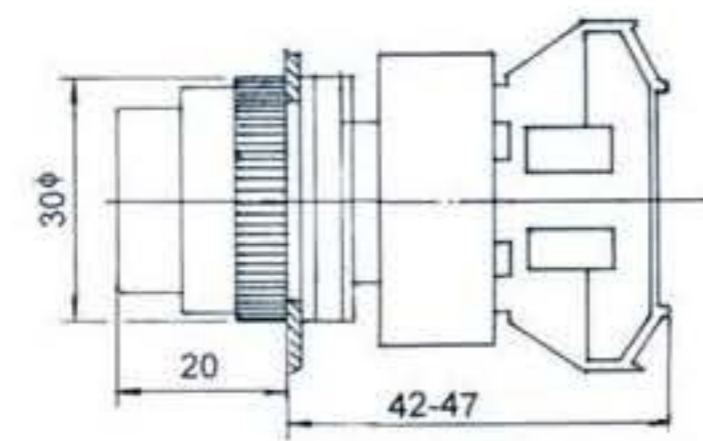
APB 25-10/C



ILLUMINATED PUSH BUTTON
NLPB 25-10/C



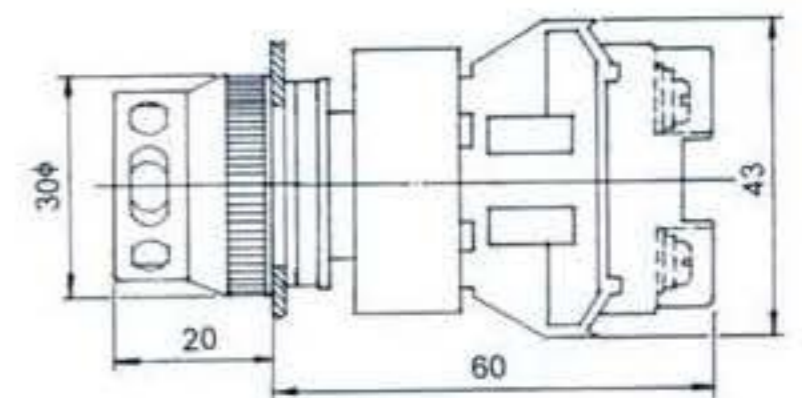
APBL 25-10/C



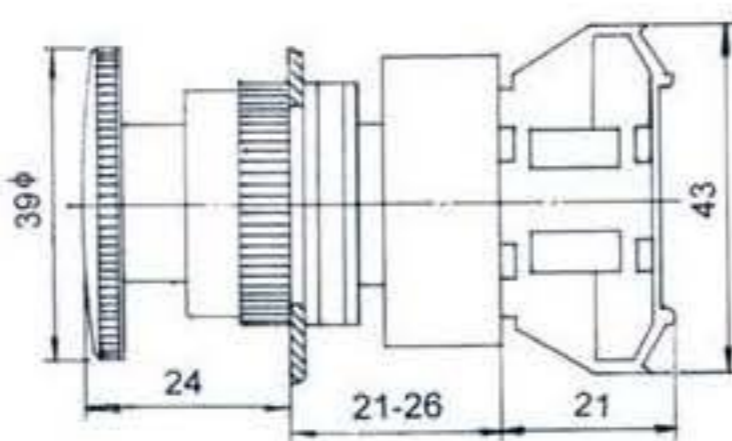
FLPB 25-10/C



ILLUMINATED



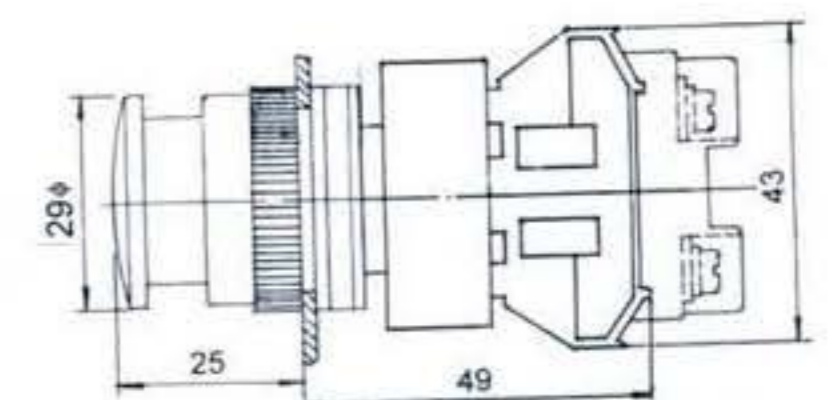
AEPB 25-1/C



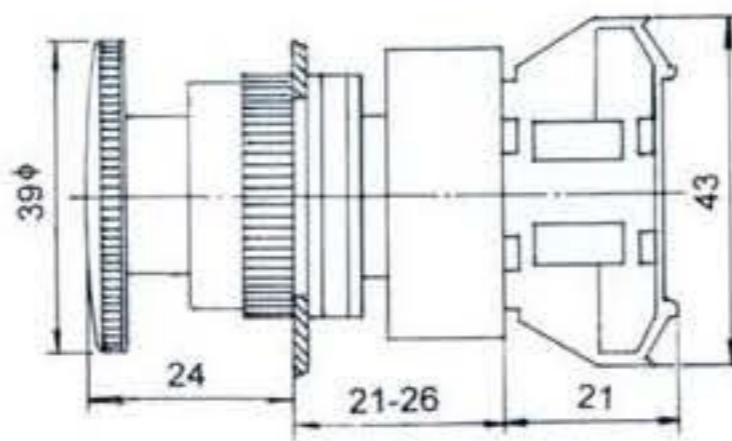
ANLPB 25-10/C



ILLUMINATED



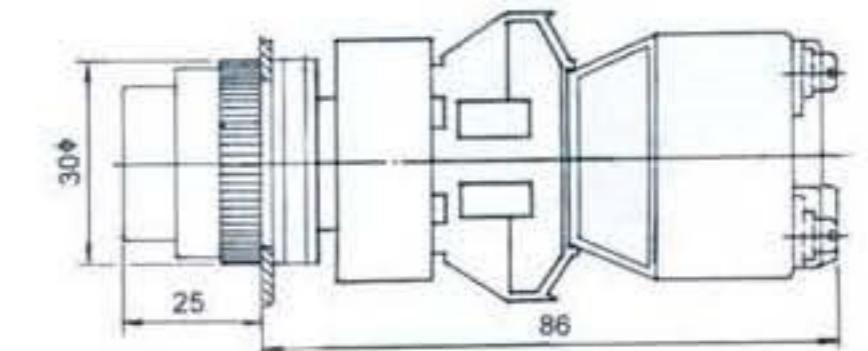
AEPB 25-10/C



TLPB 25-10/C



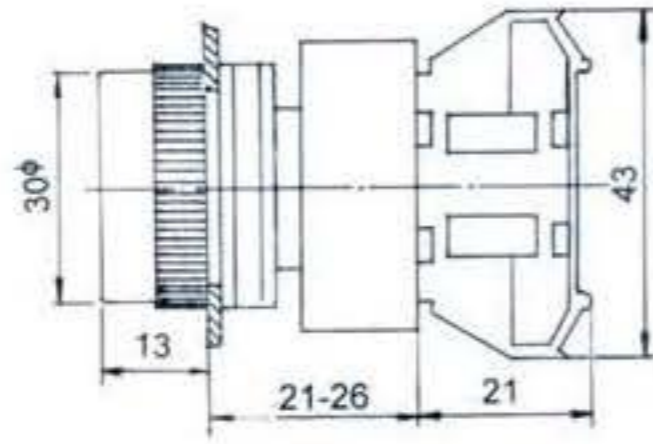
ILLUMINATED



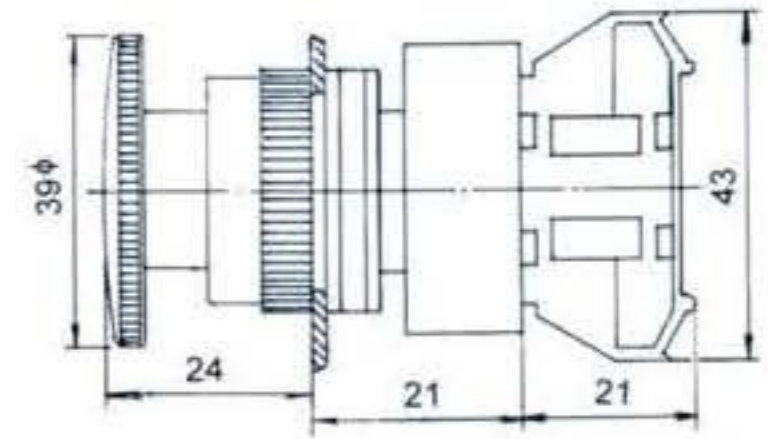


PUSH BUTTON SWITCHES 25φ

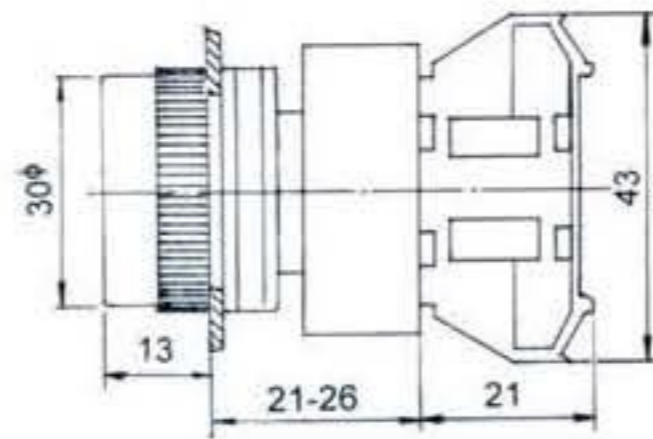
APB 25-1/O



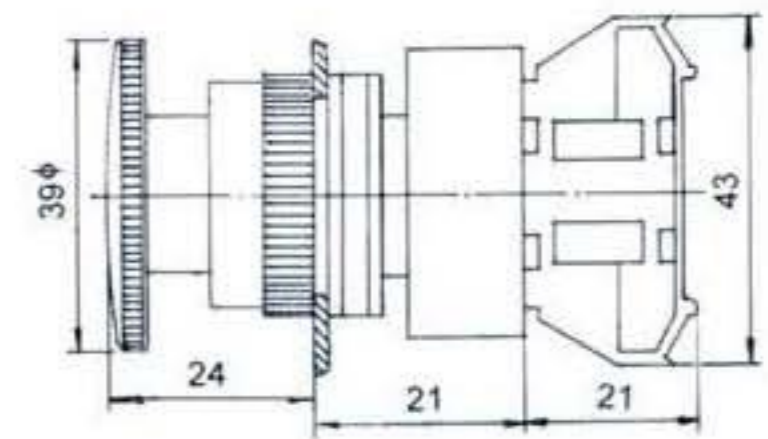
ALEPB 25-1/C



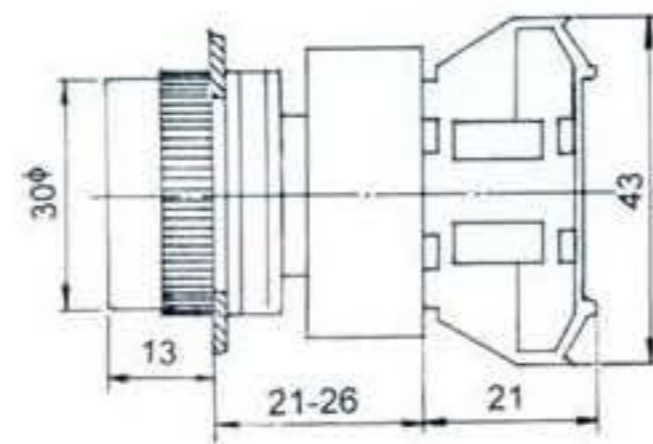
APB 25-1/C



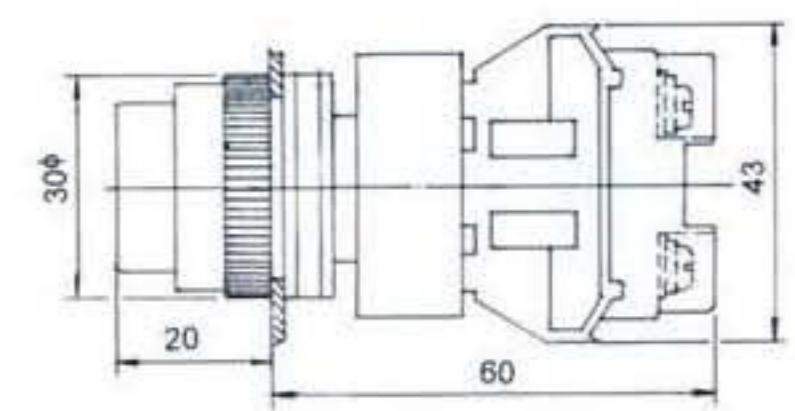
ALEPB 25-10/C



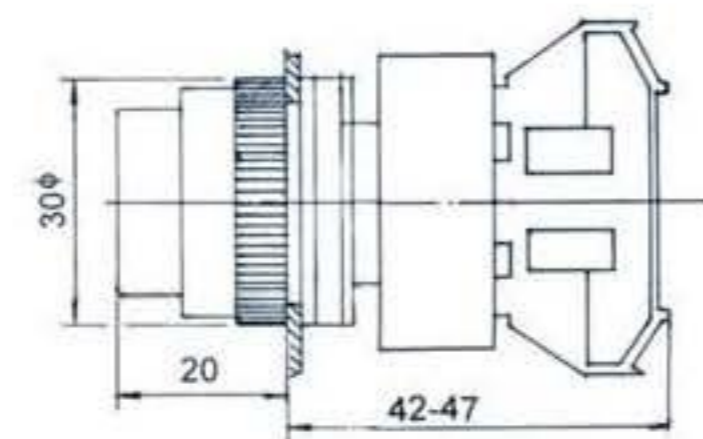
APB 25-10/C



ILLUMINATED PUSH BUTTON
NLPB 25-10/C



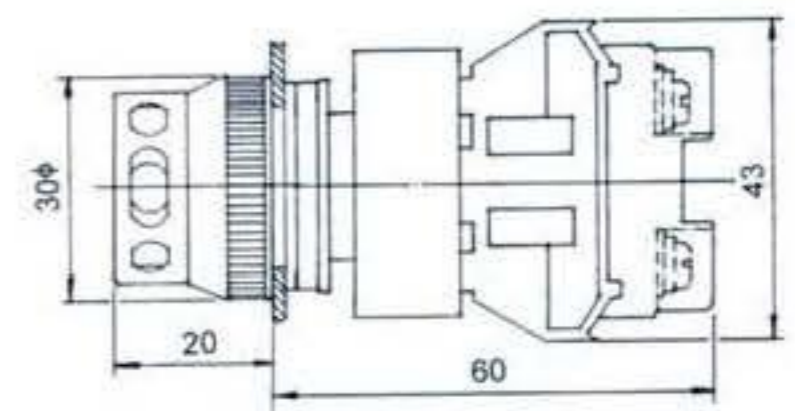
APBL 25-10/C



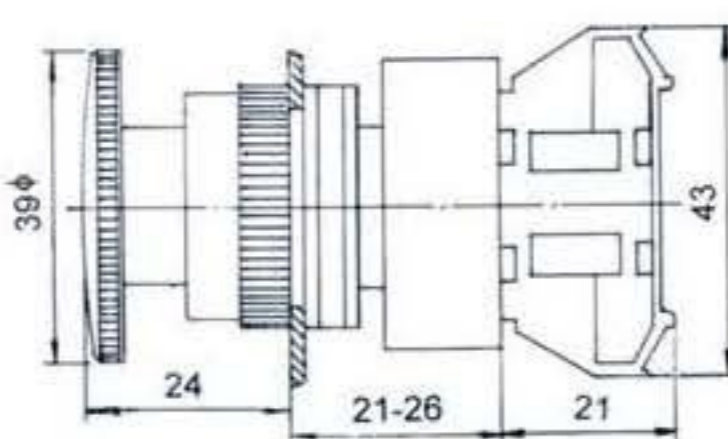
FLPB 25-10/C



ILLUMINATED



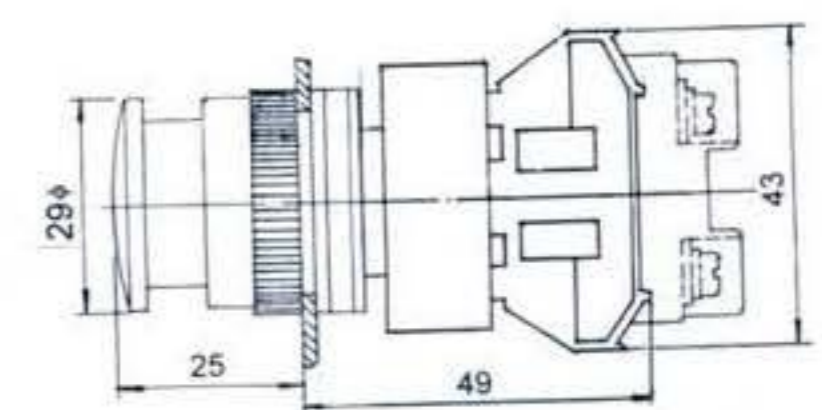
AEPB 25-1/C



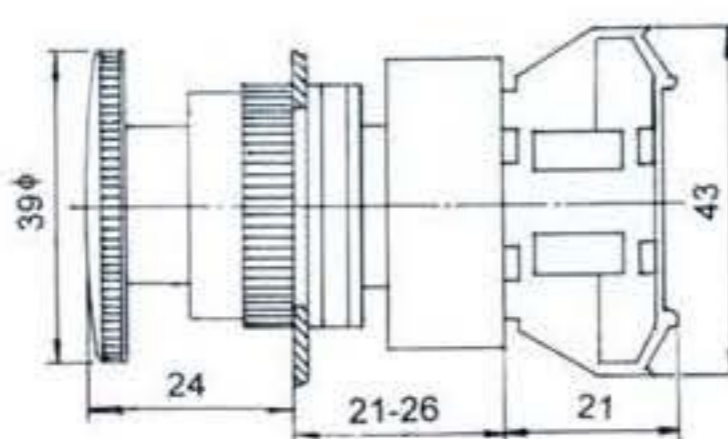
ANLPB 25-10/C



ILLUMINATED



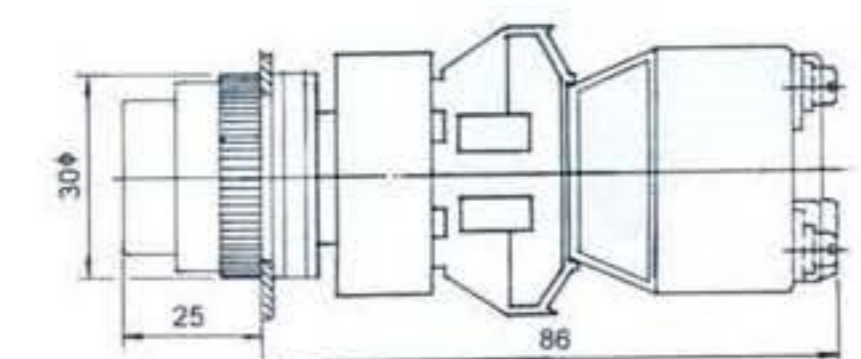
AEPB 25-10/C



TLPB 25-10/C



ILLUMINATED

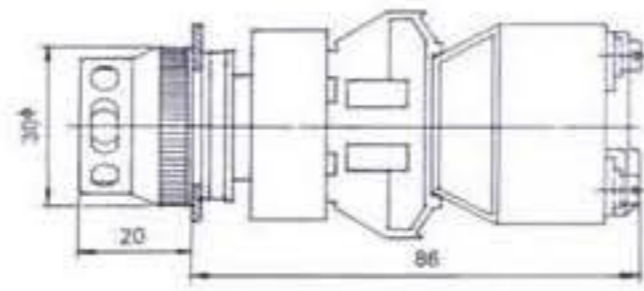




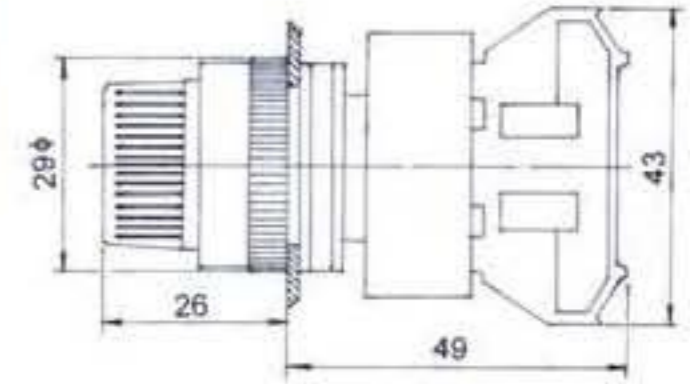
ILLUMINATED PUSH BUTTON, SLECTOR SWITCHES 25φ

TFLPB 25-10/C

ILLUMINATED

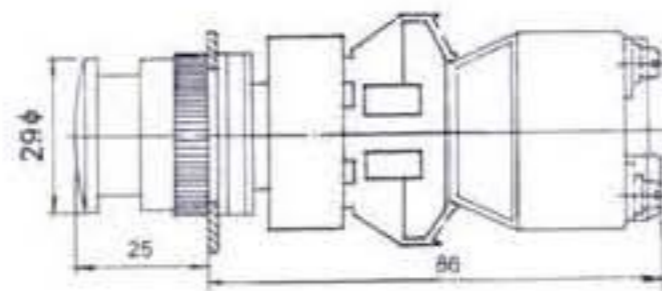


ASS 25-1/O, 0-1

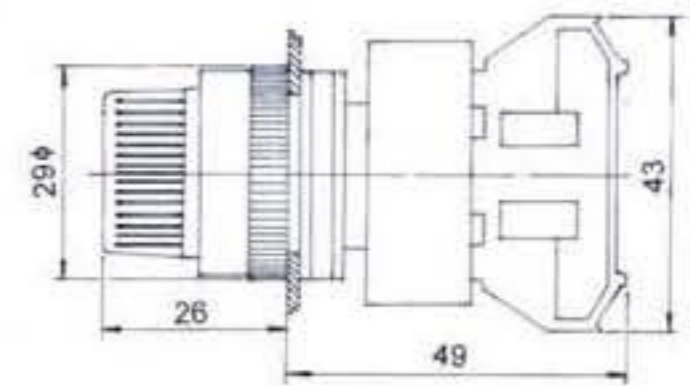


ATLPB 25-10/C

ILLUMINATED

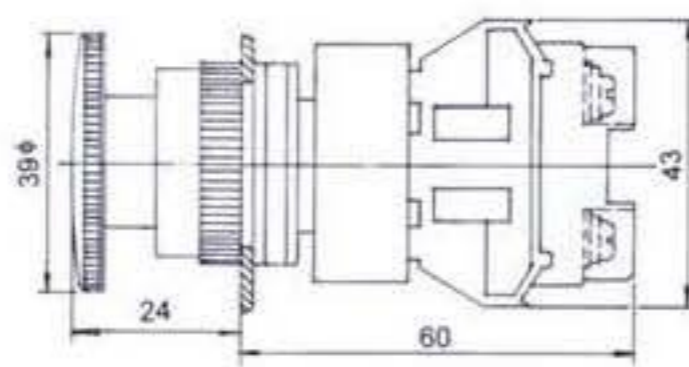


ASS 25-10/C, 1-2
ASS 25-2/O, 1-0-2

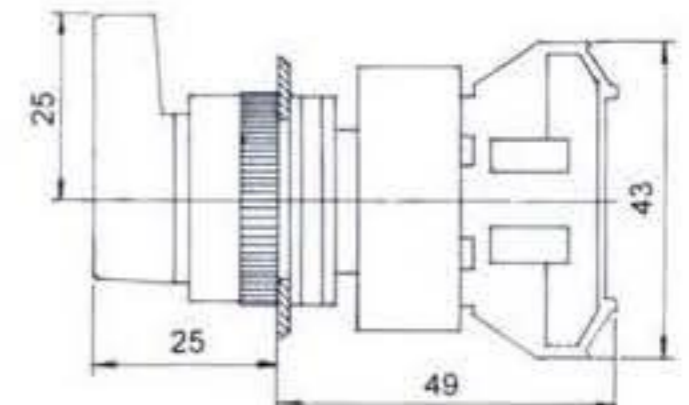


NIEPB 25-10/C

ILLUMINATED

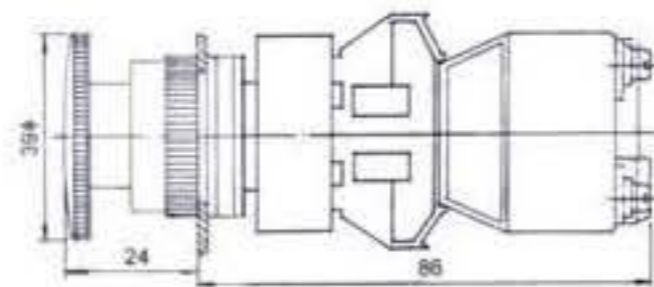


ALSS 25-1/O, 0-1

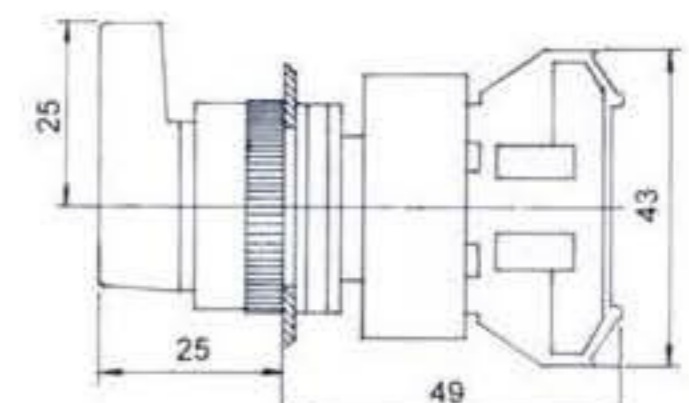


TIEPB 25-10/C

ILLUMINATED

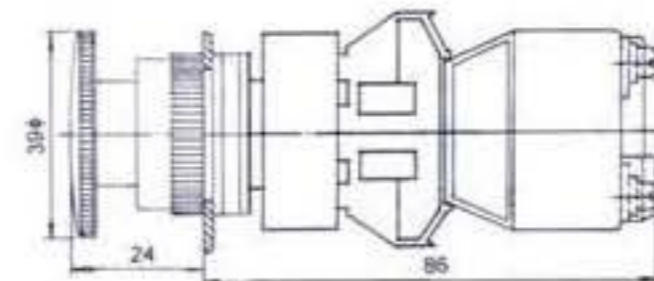


ALSS 25-10/C, 1-2
ALSS 252/O, 1-0-2

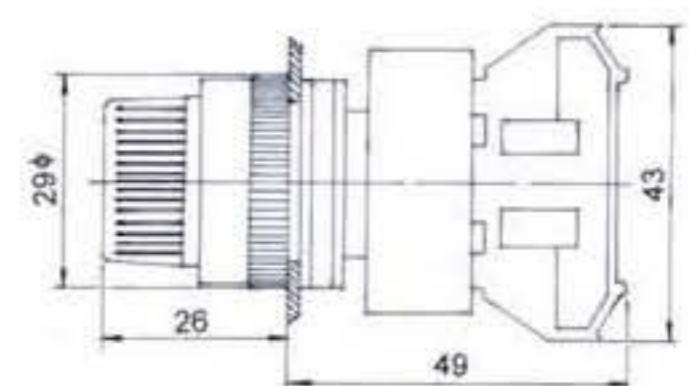


TILEPB 25-10/C

ILLUMINATED



AUSS 25-10/C, 1-2 SPRING RETURN
AUSS 25-2/O, 1-0-2 SPRING RETURN

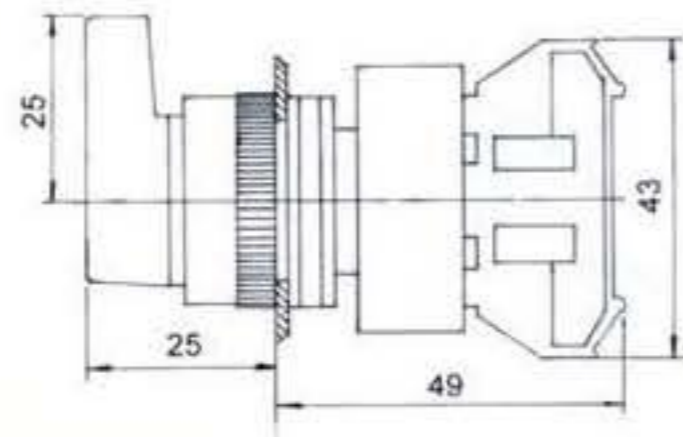




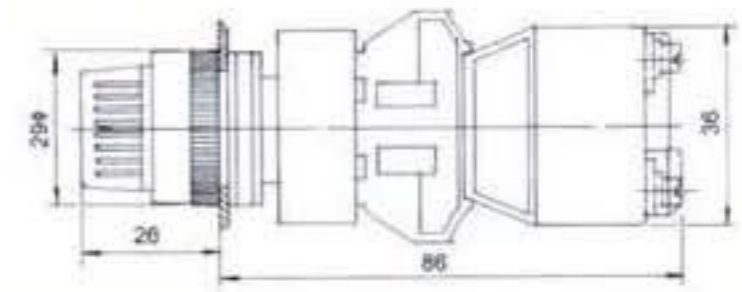
SELECTOR SWITCHES, ILLUMINATED SELECTOR 25mmφ

LUSS 25-10/C,1-2
LUSS 25-2/O,1-0-2

SPRING RETURN
SPRING RETURN

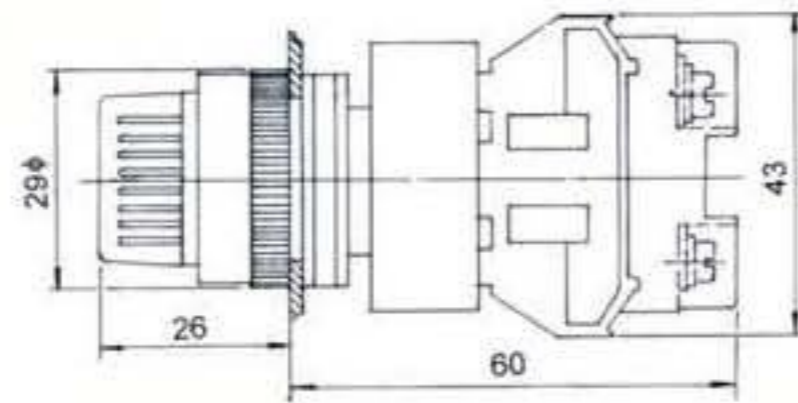


TISS 25-10/C,1-2
TISS 25-2/O,1-0-2

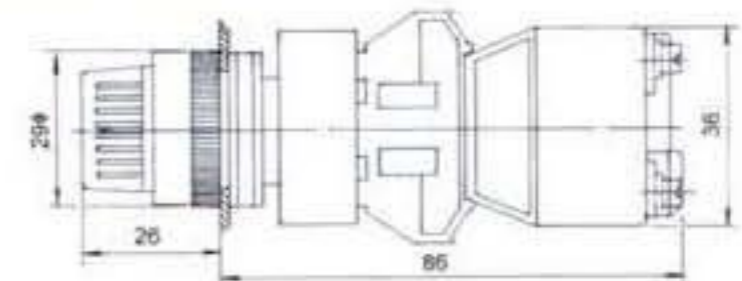


NISS 25-10/C,1-2
NISS 25-2/O,1-0-2

ILLUMINATED

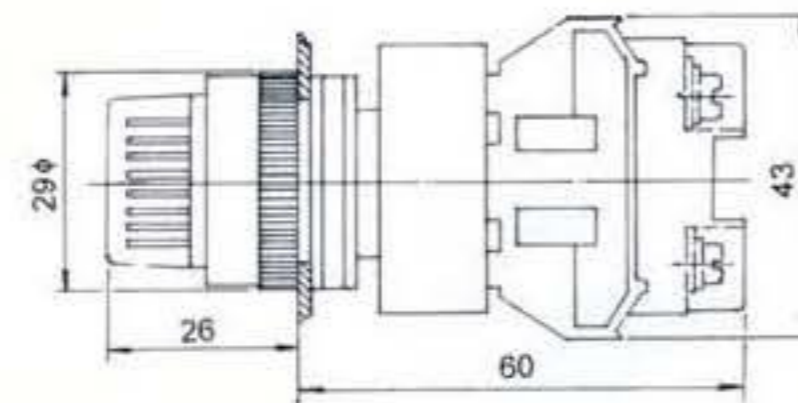


TUSS 25-10/C,1-2 SPRING RETURN
TUSS 25-2/O,1-0-2 SPRING RETURN

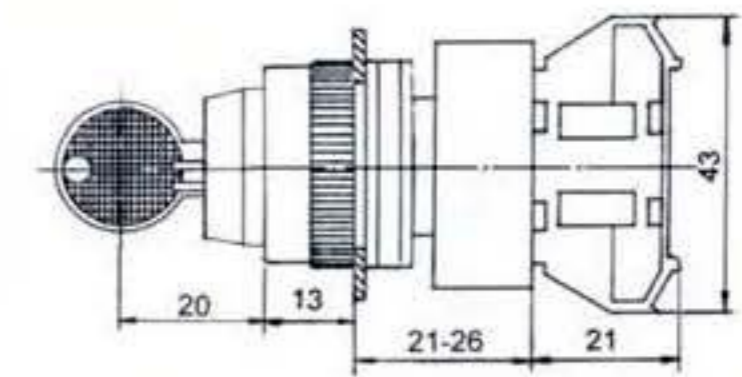


NUSS 25-10/C,1-2 SPRING RETURN
NUSS 25-2/O,1-0-2 SPRING RETURN

ILLUMINATED

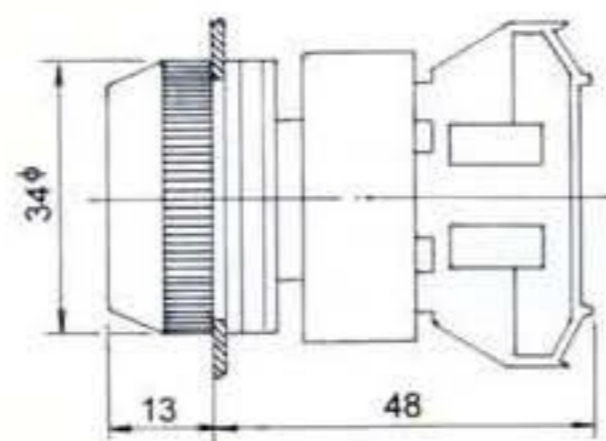


KEY SELECTOR SWITCH 25mmφ
AKSS 25-1/O(N/O)
AKSS 25-1/C(N/C)
AKSS 25-10/C, 2Position
AKSS 25-2/O, 3Position

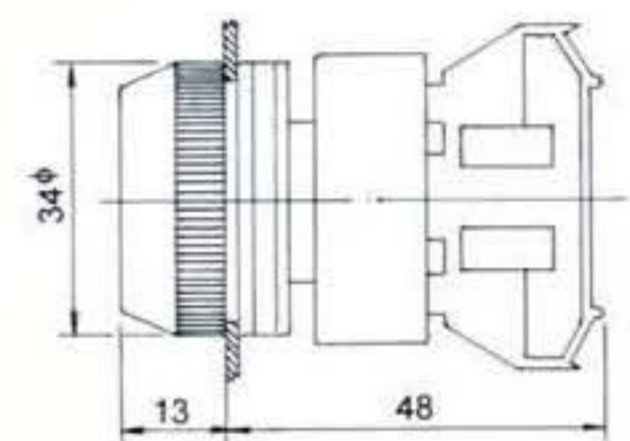


30mmφ CONTROL UNIT PUSH BUTTON

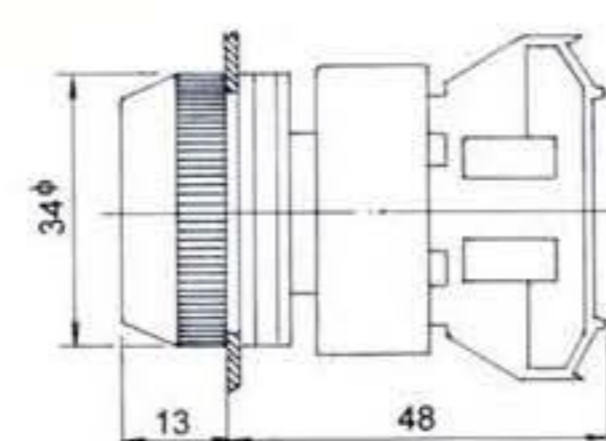
APB 30-1/O



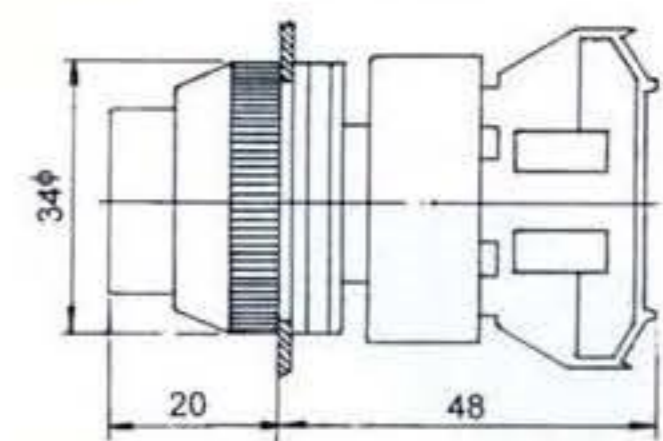
APB 30-10/C



APB 30-1/C



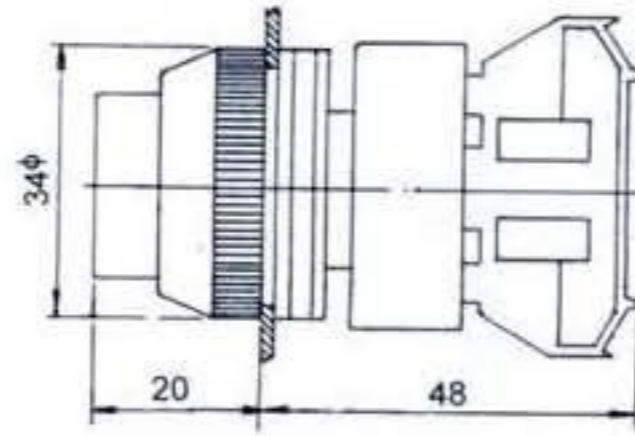
APBL 30-1/O



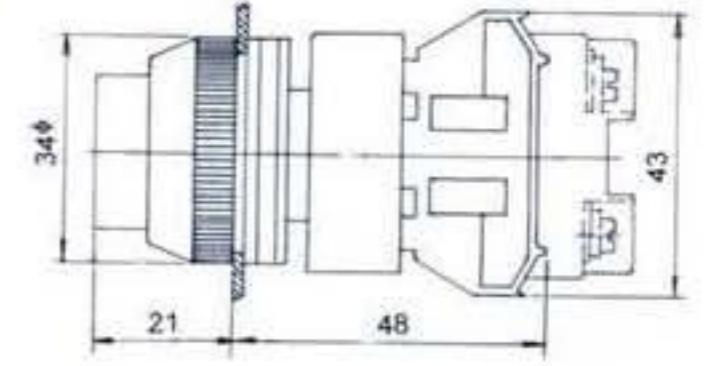


30 mmφ PUSH BUTTON , ILLUMINATED PUSH BUTTON

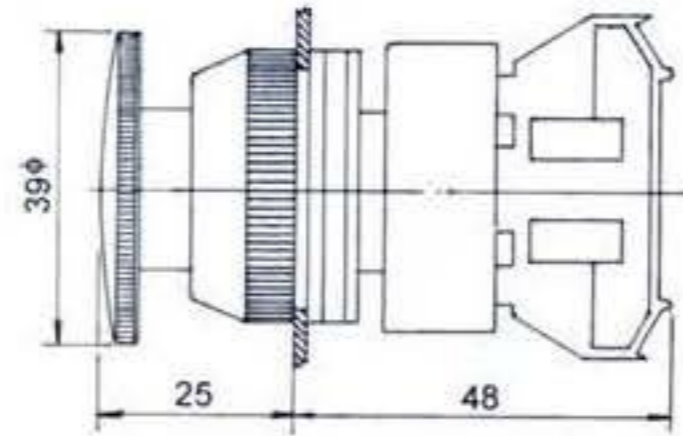
APBL 30-10/C



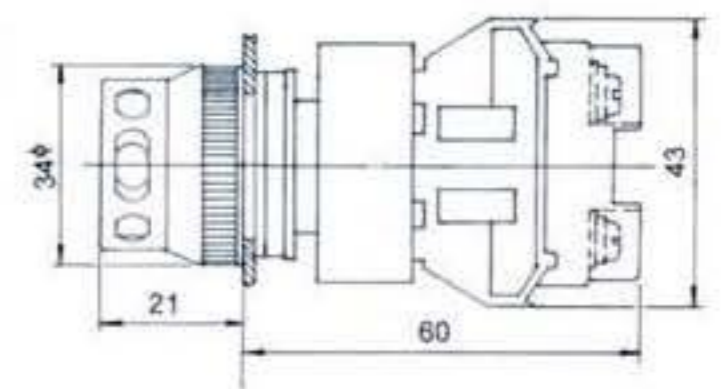
NLPB 30-10/C



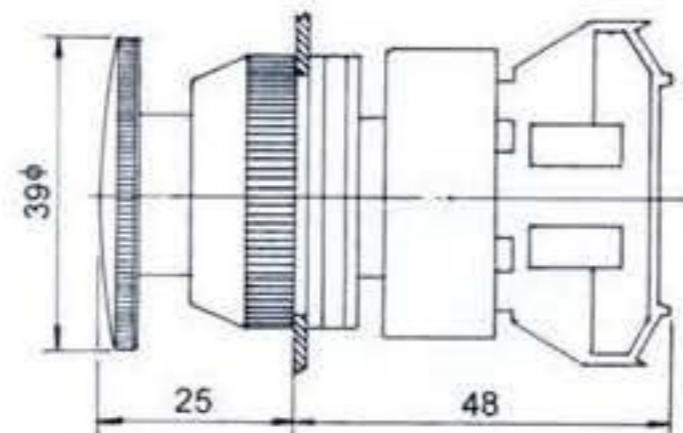
AEPB 30-1/C



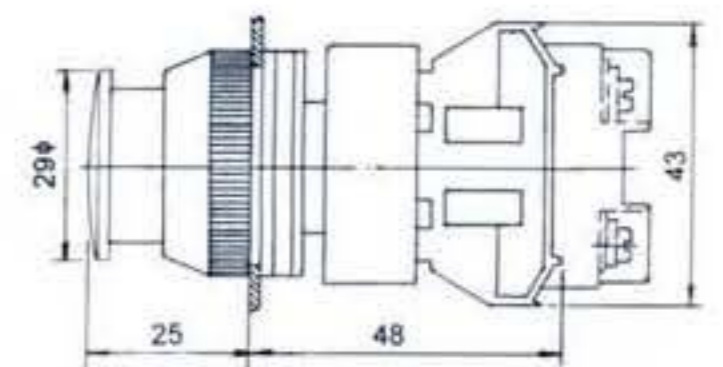
FLPB 30-10/C



AEPB 30-10/C

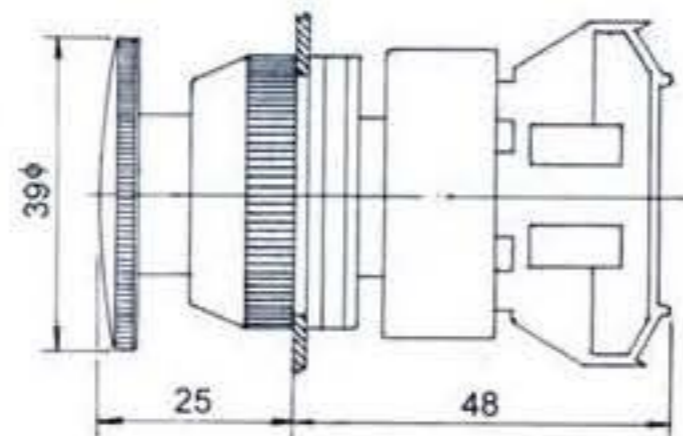


ANLPB 30-10/C

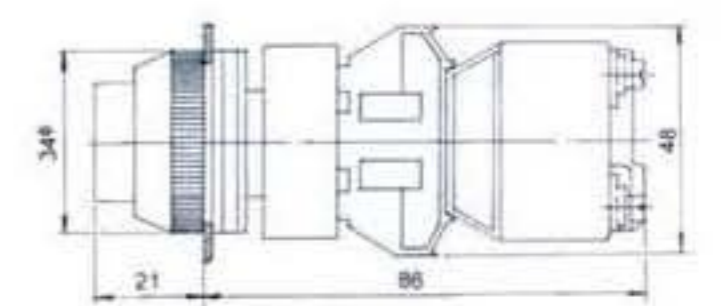


ALEPB 30-1/C

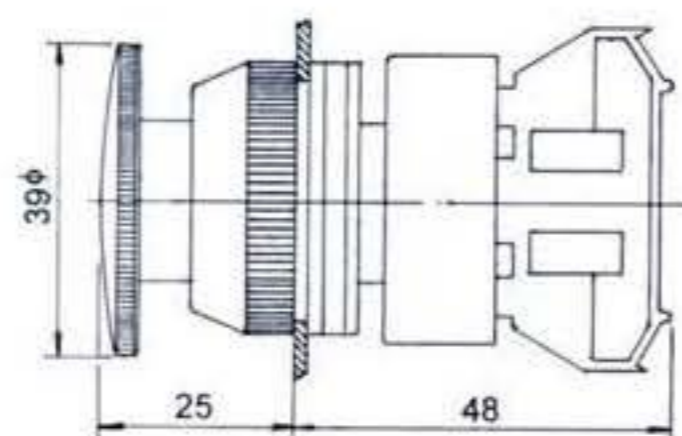
Emergency stop



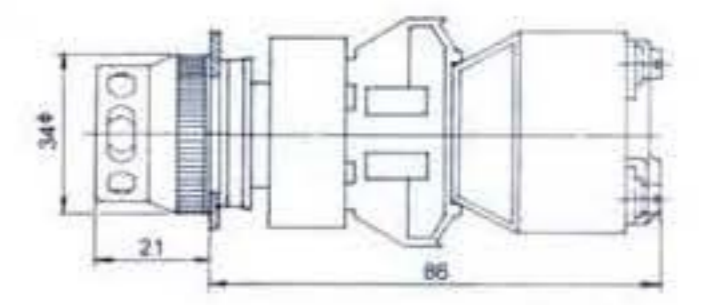
TLPB 30-10/C



ALEPB 30-10/C



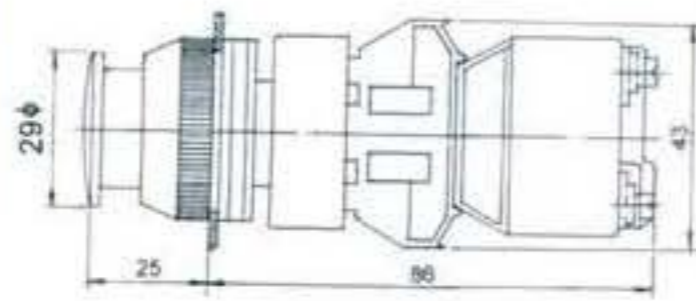
TFLPB 30-10/C



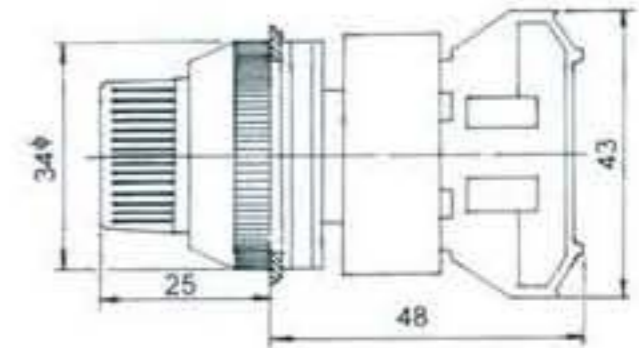


30mm ϕ ILLUMINATED, EMERGENCY PUSH BUTTON, SELECTOR

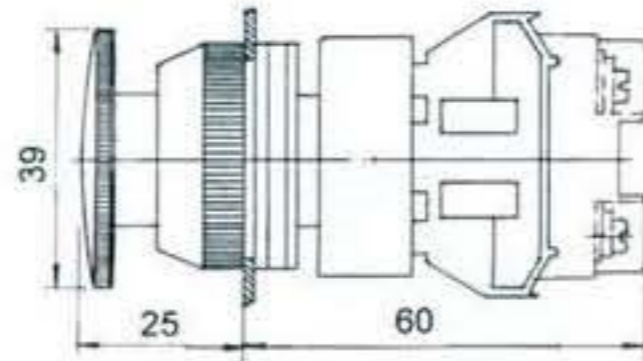
ATLPB 30-10/C



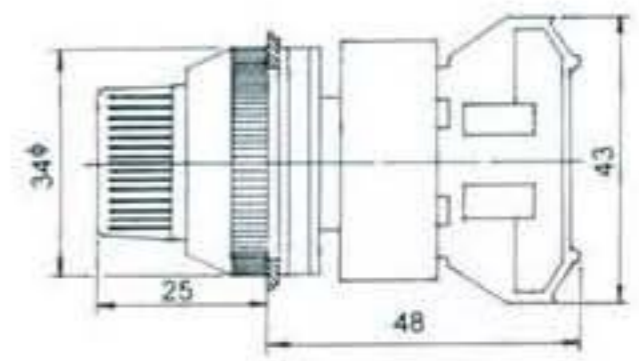
ASS 30-1/O, 0-1



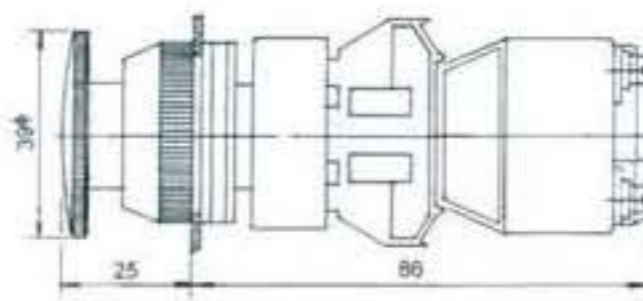
NIEPB 30-10/C



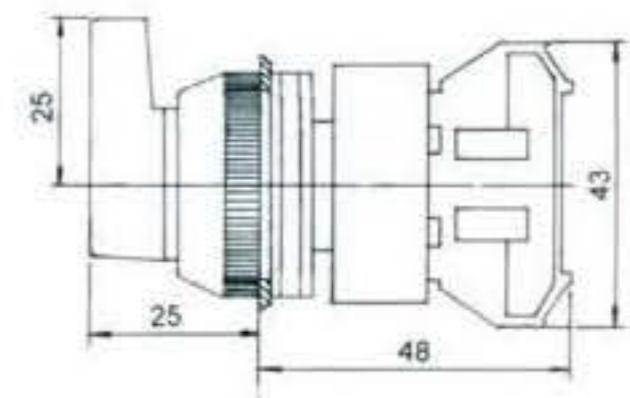
ASS 30-10/C, 1-2
ASS 30-2/O, 1-0-2



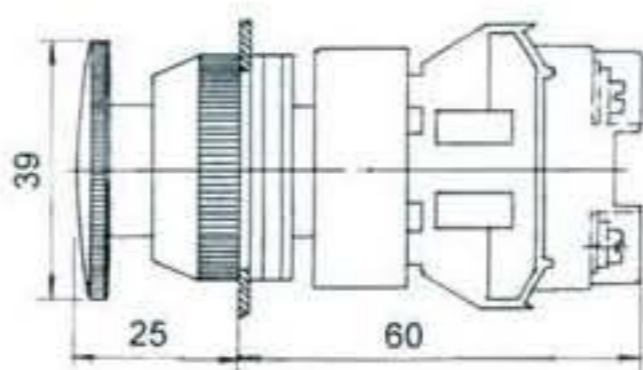
TIEPB 30-10/C



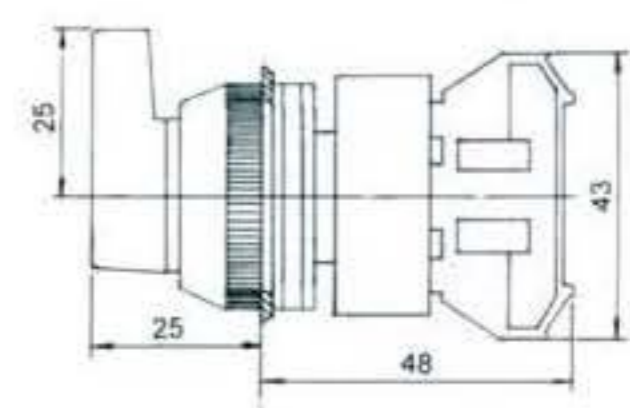
ALSS 30-1/O, 0-1



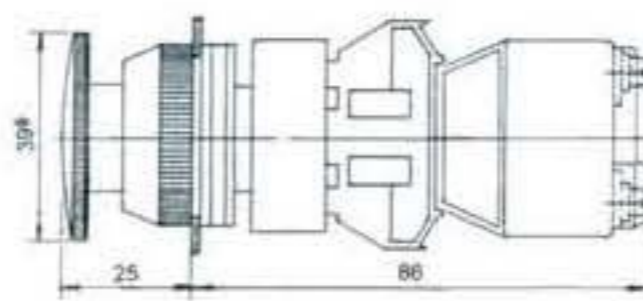
NILEPB 30-10/C



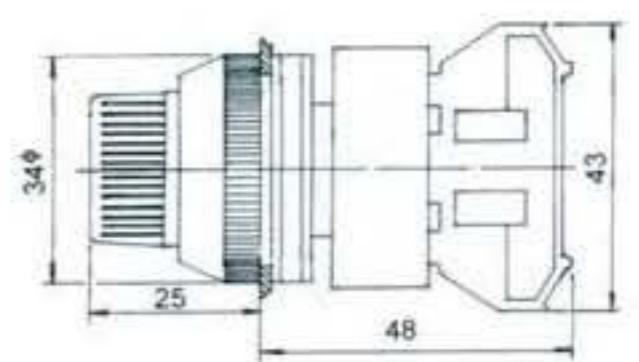
ALSS 30-10/C, 1-2
ALSS 30-2/O, 1-0-2



TILEPB 30-10/C



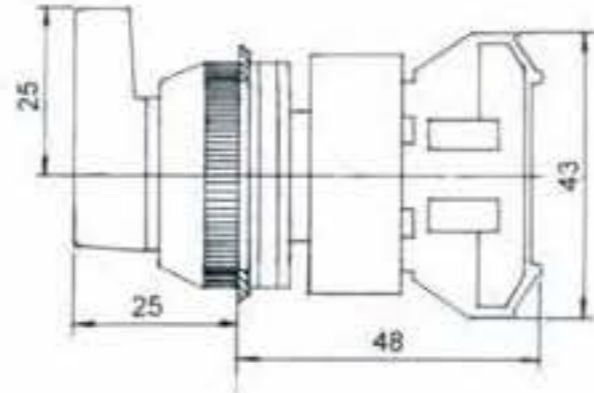
AUSS 30-10/C, 1-2 SPRING RETURN
AUSS 30-2/O, 1-0-2 SPRING RETURN



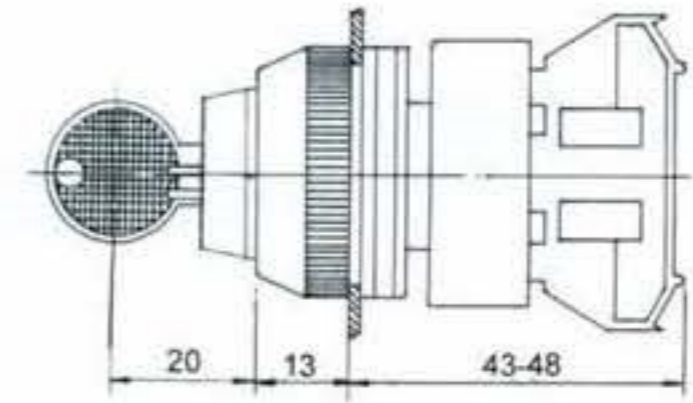


30mm ϕ SELECTOR SWITCHES, ILLUMINATED SELECTOR

LUSS 30-10/C,1-2 SPRING RETURN
LUSS 30-2/O,1-0-2 SPRING RETURN

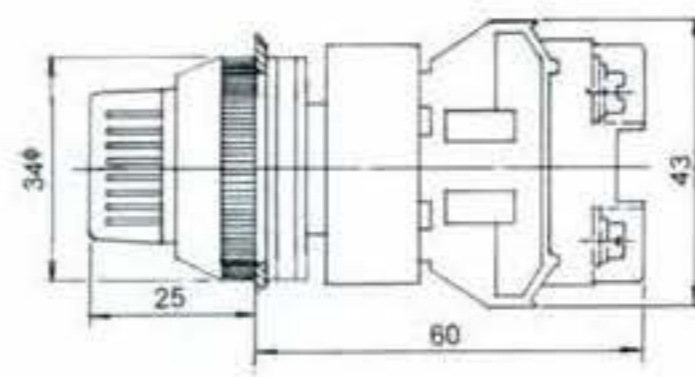


KEY SELECTOR SWITCH AKSS 30-1/O(N/O),
30mm ϕ
AKSS 30-1/C(N/C)
AKSS 30-10/C (N/O+N/C), 2Position
AKSS 30-2/O (2N/O), 3Position

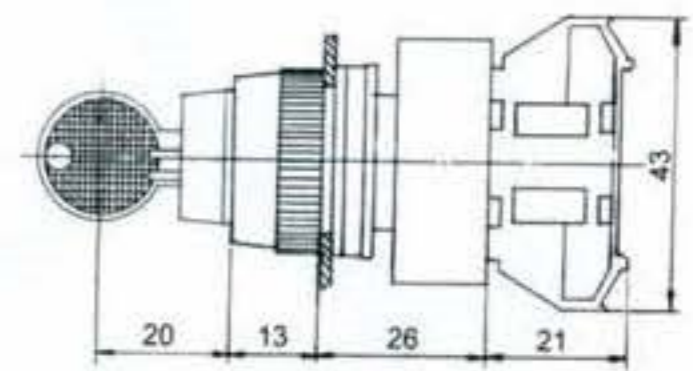


NISS 30-10/C,1-2
NISS 30-2/O,1-0-2

ILLUMINATED

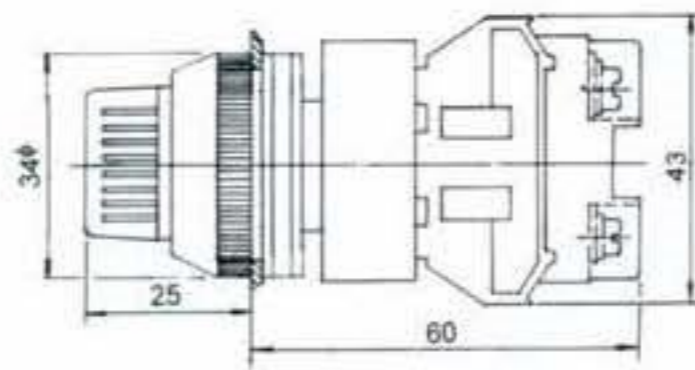


KEY SELECTOR SWITCH AKSS 22-1/O(N/O),
22mm ϕ
AKSS 22-1/C(N/C)
AKSS 22-10/C (N/O+N/C), 2Position
AKSS 22-2/O (2N/O), 3Position

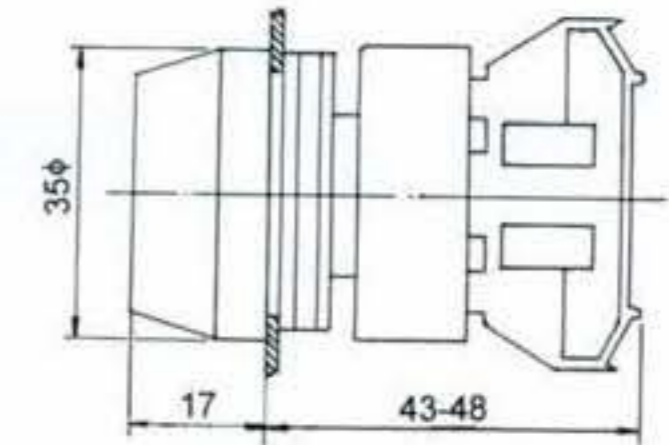


NUSS 30-10/C,1-2 SPRING RETURN
NUSS 30-2/O,1-0-2 SPRING RETURN

ILLUMINATED

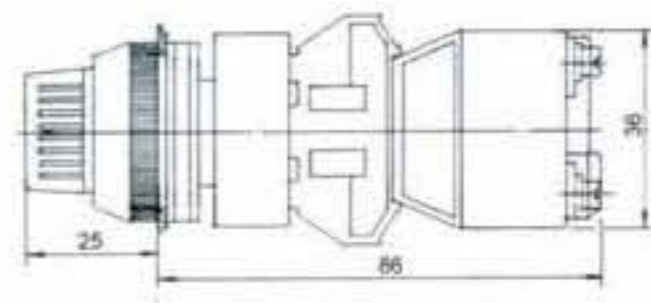


RAIN PROOF PUSH BUTTON RPB 30-1/O
30mm ϕ
RPB 30-1/C
RPB 30-10/C

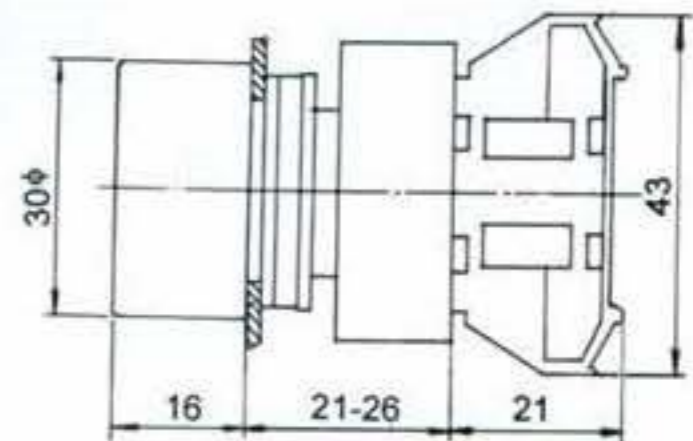


TISS 30-10/C,1-2
TISS 302/O,1-0-2

ILLUMINATED



RAIN PROOF PUSH BUTTON RPB 22-1/O
22mm ϕ
RPB 22-1/C
RPB 22-10/C



TUSS 30-10/C,1-2
TUSS 30-2/O,1-0-2

SPRING RETURN
SPRING RETURN
ILLUMINATED

