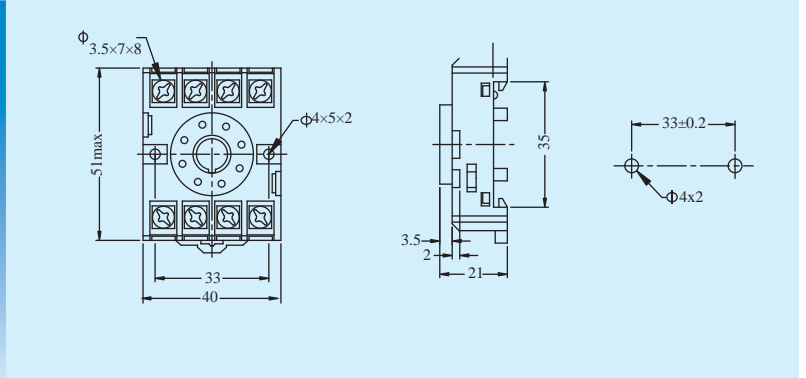


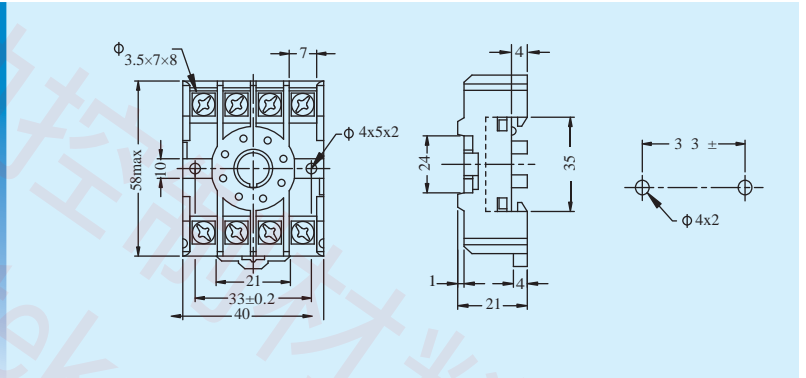
# CIKACHI

## SOCKET

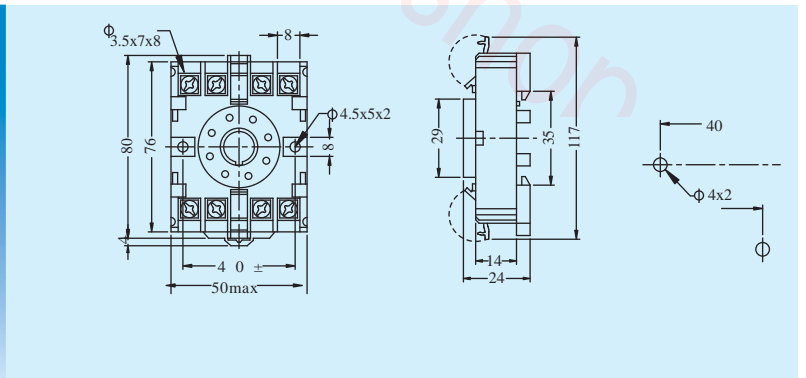
### PF083A



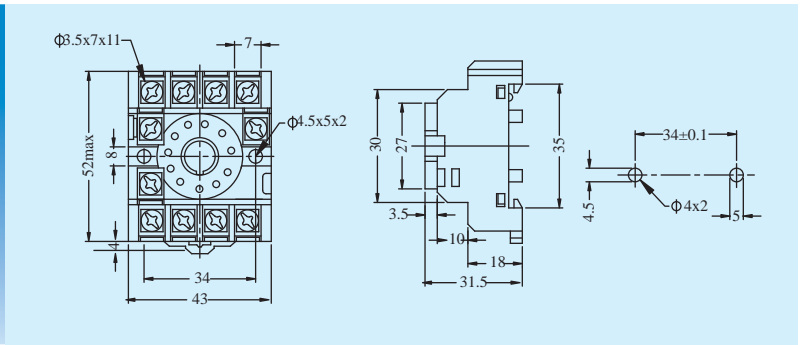
### PF085A



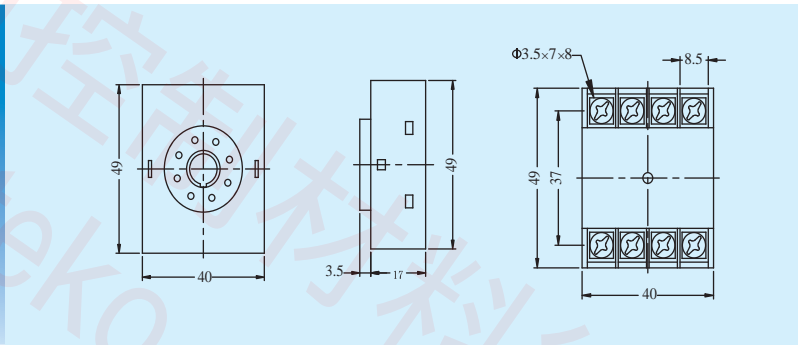
### 8PFA



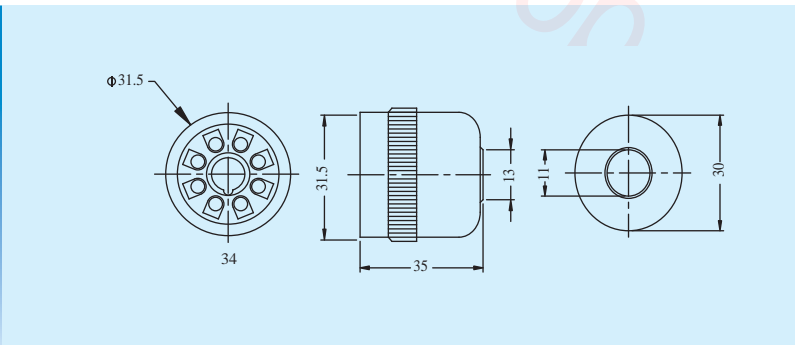
### PF113A



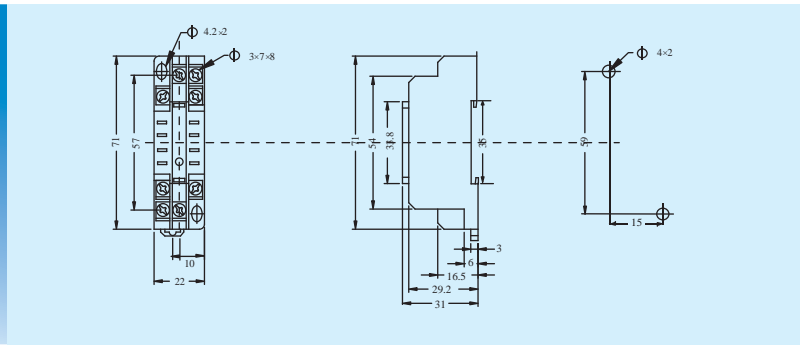
### P3G-08



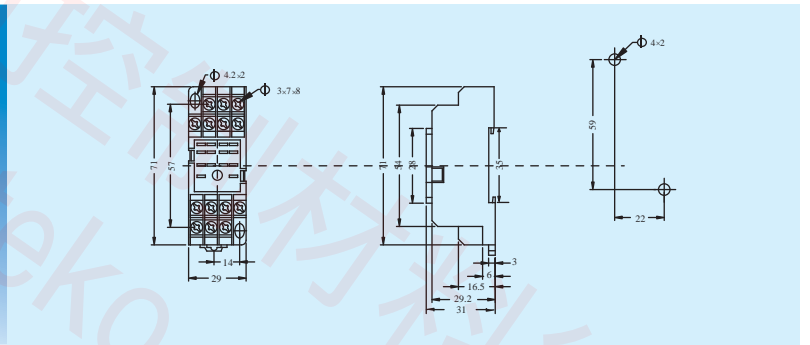
### US-08



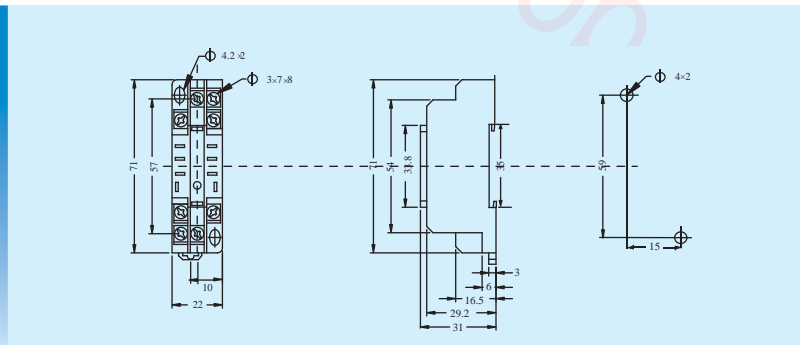
### PYF08A



### PYF14A



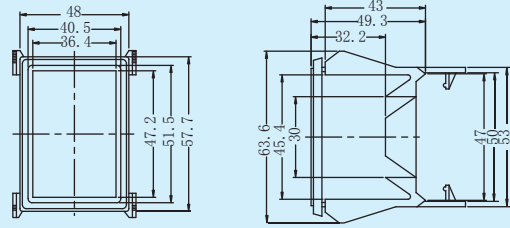
### PTF08A



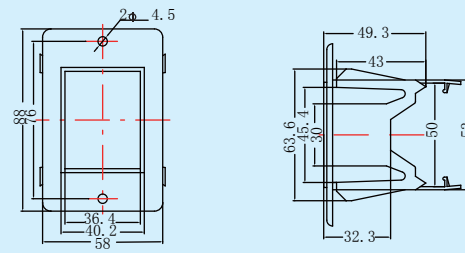
# CIKACHI

## ADAPTER

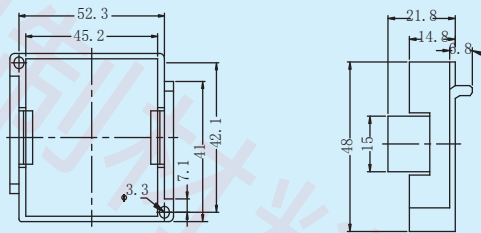
### Y-40



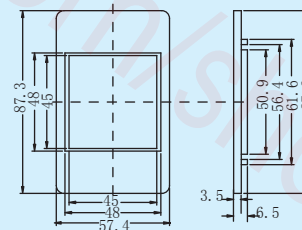
### Y-41



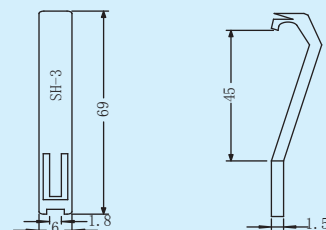
### Y-50



### Y-57

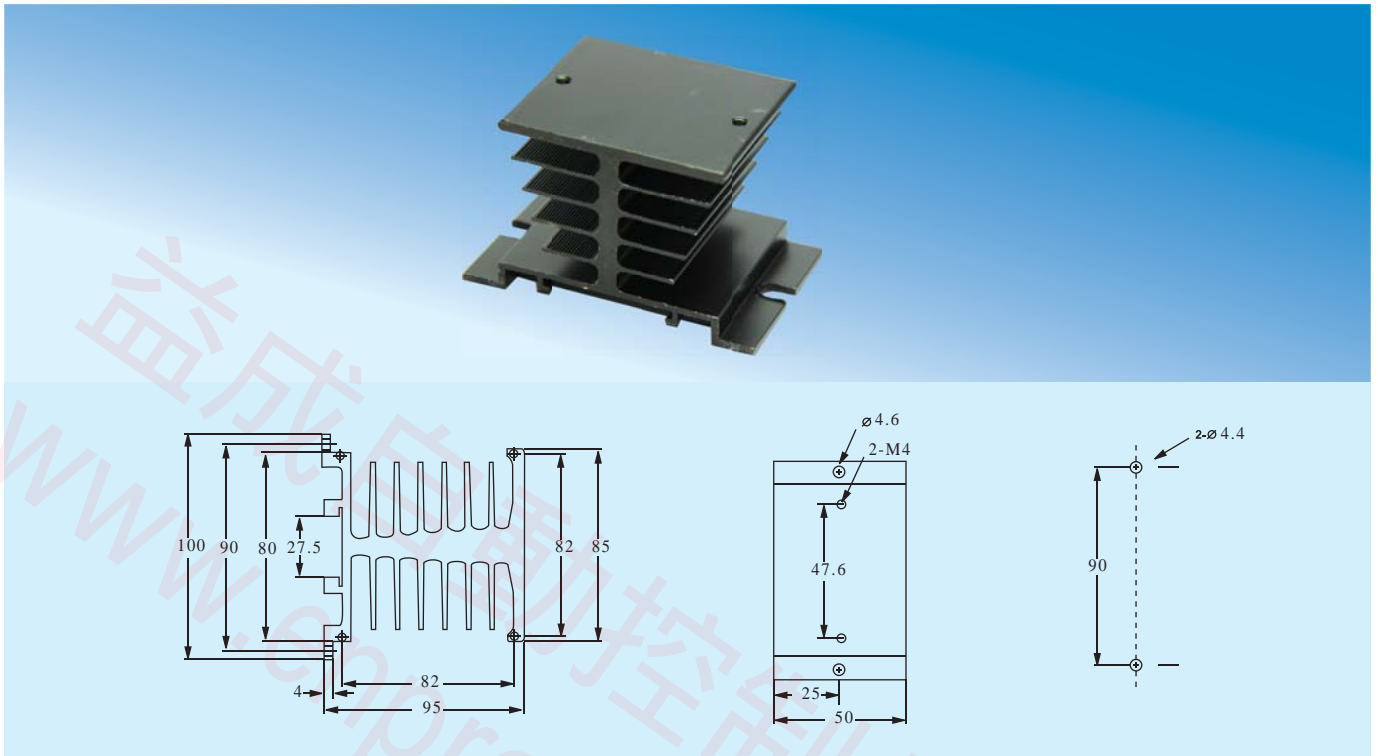


### SH-3

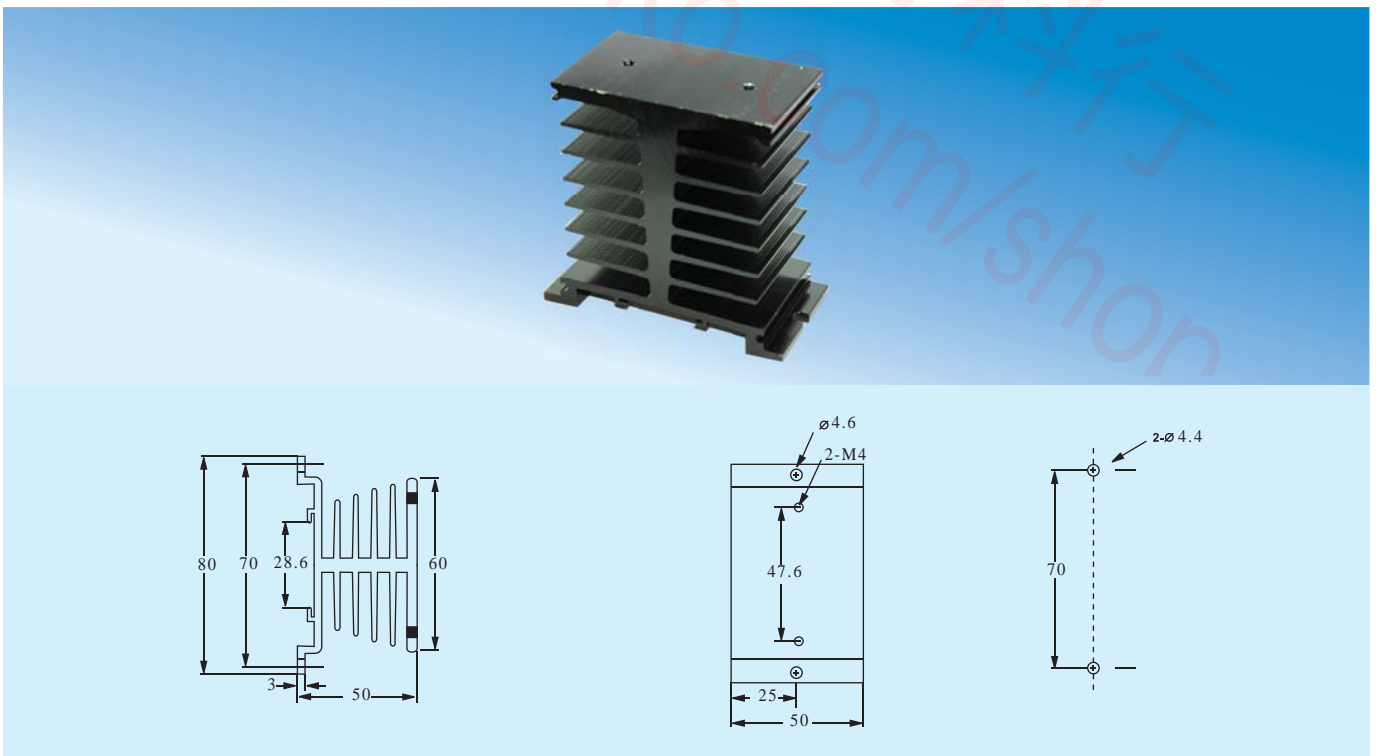


## Heat Sink 散熱器

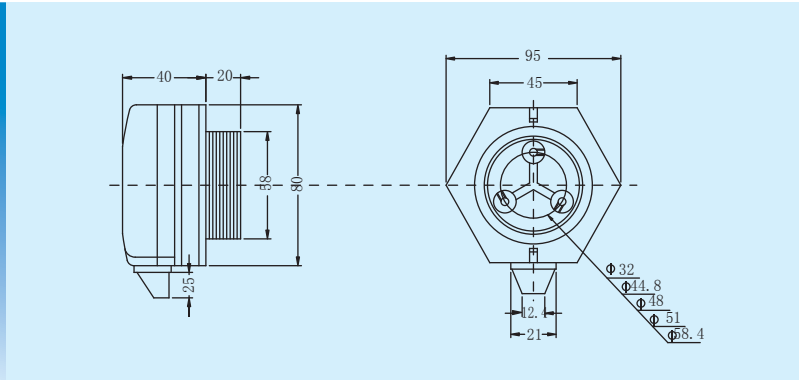
### HS-1



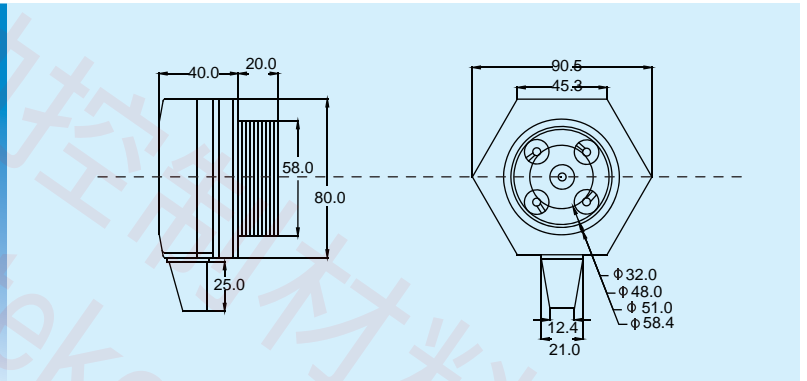
### HS-2



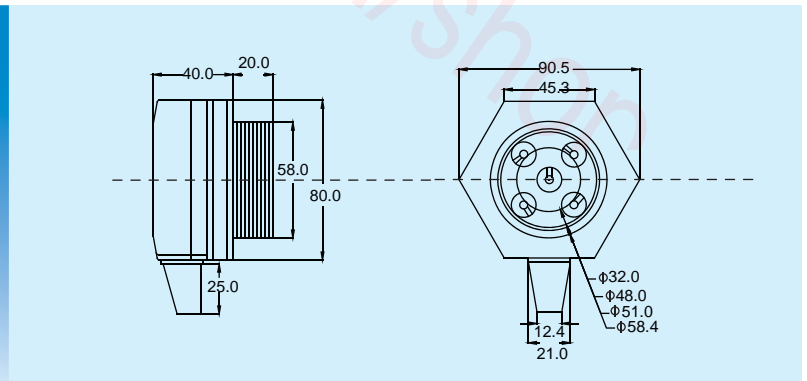
### PS-3S



### PS-4S



### PS-5S

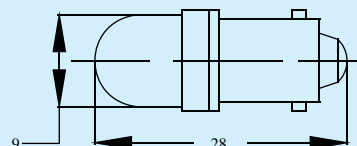


# CIKACHI

BULB

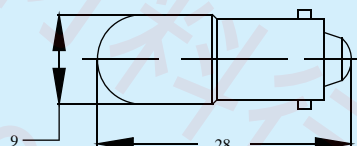
## LED LAMP

Type	Size	Voltage	Color
S-9	T9 x 28mm	1.110V 2.220V 3.380V 4.440V	R : Red G : Green Y : Yellow W : White BL : Blue



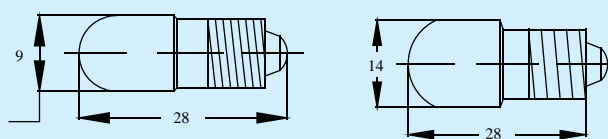
## NEON BULB

Type	Size	Voltage	Color
BA-9S	T9 x 28mm	1.110V 2.220V 3.380V 4.440V	R : Red G : Green Y : Yellow W : White BL : Blue
E-10			R :Red G :Green



## FILAMENT BILB

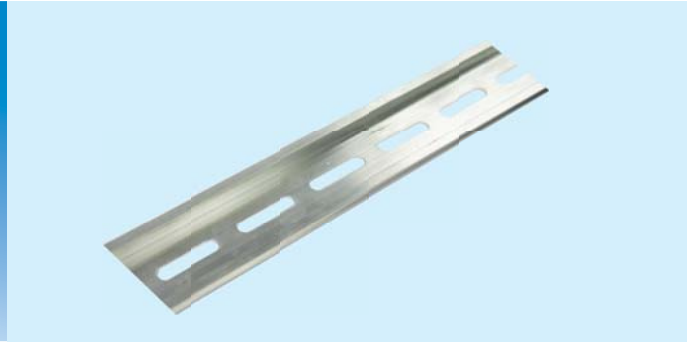
Type	Size	Voltage	Color
E-10 E-12 BA-9S	T9 x 28mm	1.6V 2.12V 3.18V 4.24V 5.30V	—



AL-25



AL-30



NHT-TA001(PLASTIC STOPPER)



NHT-TA002(METAL STOPPER)



IN13SBK



IN13C



ATB END STOPPER



NHT END PLATE





ATPL



NAME PLATE



RP-22/25



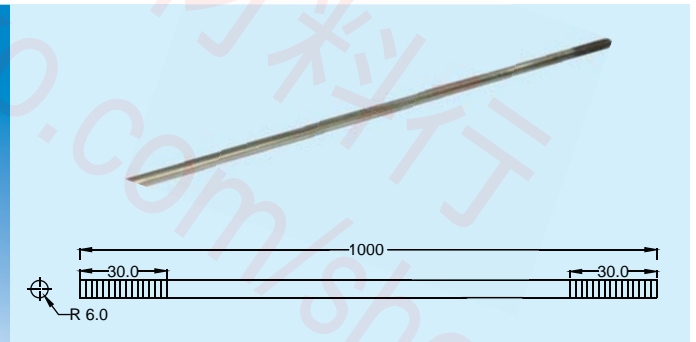
RP-30



PS-N



PS-1M



FS-101



FS-10

