

# NHD INDUSTRIAL CO., LTD.

## CATALOGUE

Page 1 : HT-Series

Page 2 : HT-E Earth Through Terminals and Fuse Terminals

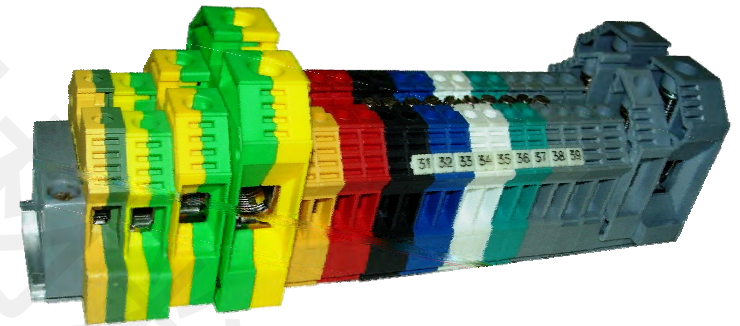
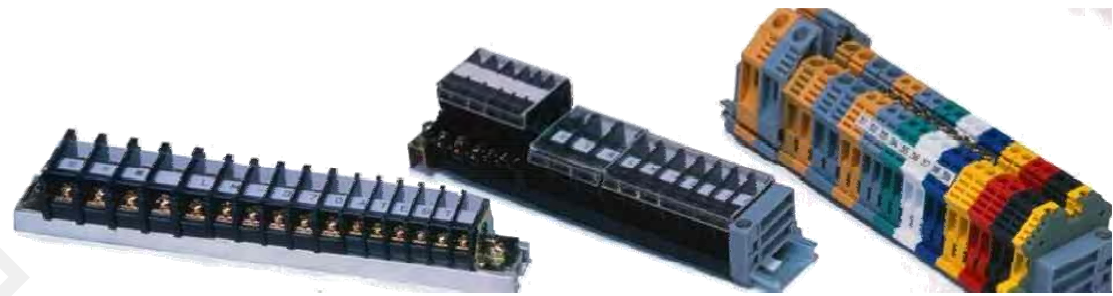
Page 3 : HTP-4 and Double Deck

Page 4 : NHT-Series for TS-35

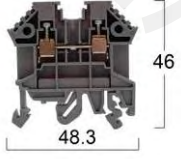





Page 5 : NHT-Series for TS-35

Page 6 : NHC-Series for TS-15

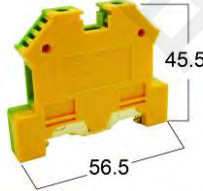

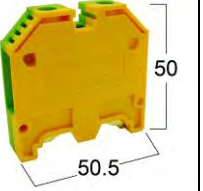
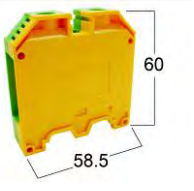
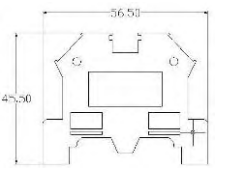
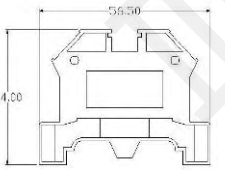
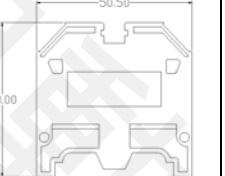
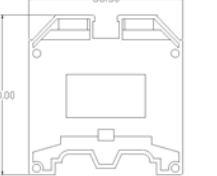




Page 7 ~ 10 : Accessory

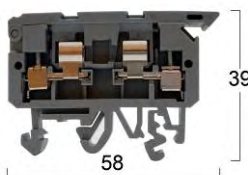
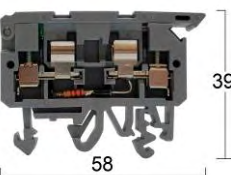
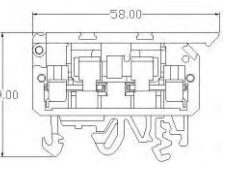
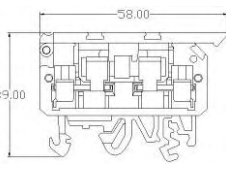




# HT-Series

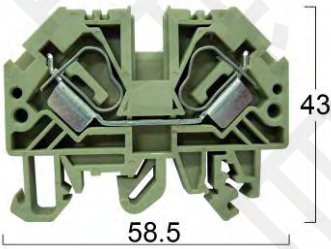





<b>Feed-Through Terminals</b> <b>Screw clamp connection</b> <b>Material : PA66</b> <b>Rail mount on TS32/TS35 or direct mounting</b>	<b>HT-2.5</b>	<b>HT-4</b>	<b>HT-10</b>	<b>HT-16</b>	<b>HT-35</b>	<b>HT-50</b>	<b>HT-95</b>
							
<b>Q'ty.P.pck(g/pcs)</b>	<b>1320/200</b>	<b>1100/100</b>	<b>1630/100</b>	<b>1480/50</b>	<b>1156/20</b>	<b>5835/50</b>	<b>4695/25</b>
<b>Terminal width/Insulation stripping length</b>	<b>5.1mm/7mm</b>	<b>6.2mm/11.5mm</b>	<b>8.4mm/12mm</b>	<b>12.3mm/15mm</b>	<b>16.2mm/18mm</b>	<b>20.3mm/27mm</b>	<b>25.5mm/30mm</b>
<b>Conductor cross-section solid/stranded</b>	<b>0.2-4/0.2-2.5</b>	<b>0.2-6/0.2-4</b>	<b>0.2-10/0.2-10</b>	<b>2.5-25/2.5-16</b>	<b>2.5-50/2.5-35</b>	<b>16-50/25-50</b>	<b>35-95/35-95</b>
<b>AWG</b>	<b>22-12</b>	<b>22-10</b>	<b>22-8</b>	<b>12-6</b>	<b>12-2</b>	<b>6-1/0</b>	<b>2</b>
<b>Electrical ratings</b>	<b>Voltage</b> <b>Current</b>	<b>Voltage</b> <b>Current</b>	<b>Voltage</b> <b>Current</b>	<b>Voltage</b> <b>Current</b>	<b>Voltage</b> <b>Current</b>	<b>Voltage</b> <b>Current</b>	<b>Voltage</b> <b>Current</b>
	<b>V</b> <b>A</b>	<b>V</b> <b>A</b>	<b>V</b> <b>A</b>	<b>V</b> <b>A</b>	<b>V</b> <b>A</b>	<b>V</b> <b>A</b>	<b>V</b> <b>A</b>
<b>VDE</b>	<b>750</b> <b>26</b>	<b>750</b> <b>34</b>	<b>750</b> <b>55</b>	<b>750</b> <b>75</b>	<b>750</b> <b>135</b>	<b>1000</b> <b>168</b>	<b>1000</b> <b>250</b>
<b>CE</b>	<b>600</b> <b>24</b>	<b>600</b> <b>30</b>	<b>600</b> <b>50</b>	<b>600</b> <b>70</b>	<b>600</b> <b>100</b>	<b>600</b> <b>150</b>	<b>600</b> <b>230</b>
<b>UL</b>	<b>600</b> <b>20</b>	<b>600</b> <b>30</b>	<b>600</b> <b>50</b>	<b>600</b> <b>70</b>	<b>600</b> <b>115</b>	<b>600</b> <b>150</b>	<b>600</b> <b>115</b>
<b>End Plate</b>	<b>EP-4</b>	<b>EP-4</b>	<b>EP-4</b>	<b>EP-16</b>	<b>EP-35</b>	<b>-</b>	<b>-</b>
<b>Color</b>	<b>Grey</b>	<b>Grey</b>	<b>Grey</b>	<b>Grey</b>	<b>Grey</b>	<b>Grey</b>	<b>Grey</b>
<b>Approvals</b>							

### HT-E Earth Through Terminals and Fuse Terminals

<b>Earth-Through Terminals</b> <b>Screw clamp connection</b> <b>Material : PA66</b> <b>Rail mount on TS35</b>	<b>HT-4E</b>	<b>HT-10E</b>	<b>HT-16E</b>	<b>HT-35E</b>
				
				
<b>Q'ty.P.pck(g/pcs)</b>	<b>1540/50</b>	<b>1680/50</b>	<b>1072/20</b>	<b>2020/20</b>
<b>Terminal width/Insulation stripping length</b>	<b>9mm/11.5mm</b>	<b>10.4mm/12mm</b>	<b>12mm/12mm</b>	<b>16mm/18mm</b>
<b>Conductor cross-section solid/stranded</b>	<b>0.2-6/0.2-4</b>	<b>0.2-10/0.2-10</b>	<b>2.5-25/2.5-16</b>	<b>2.5-50/2.5-35</b>
<b>AWG</b>	<b>22-10</b>	<b>20-6</b>	<b>10</b>	<b>10</b>
<b>Rated surge voltage</b>	<b>8kv</b>	<b>8kv</b>	<b>12kv</b>	<b>12kv</b>
<b>Contamination class</b>	<b>3</b>	<b>3</b>	<b>3</b>	<b>3</b>
<b>Color</b>	<b>Green/Yellow</b>	<b>Green/Yellow</b>	<b>Green/Yellow</b>	<b>Green/Yellow</b>
<b>Approvals</b>				







<b>Fuse Terminals</b> <b>Screw clamp connection</b> <b>Material : PA66</b> <b>Rail mount on TS32/TS35 or direct mounting</b>	<b>HTF-1</b>	<b>HTF-1/LED</b>
		
		
<b>Q'ty. P. pck(g/pcs)</b>	<b>1240/100</b>	<b>1340/100</b>
<b>Terminal width/Insulation stripping length</b>	<b>8mm/9mm</b>	<b>8mm/9mm</b>
<b>Conductor cross-section solid/stranded</b>	<b>0.2-4/0.2-2.5</b>	<b>0.2-4/0.2-2.5</b>
<b>AWG</b>	<b>22-14</b>	<b>22-14</b>
<b>Electrical ratings</b>	<b>Voltage V    Current A</b>	<b>LED Voltage</b>
<b>VDE</b>	<b>500    10</b>	<b>24V    AC/DC</b>
<b>CSA</b>	<b>250    10</b>	<b>100~120V    AC/DC</b>
<b>UL</b>	<b>250    10</b>	<b>220~240V    AC/DC</b>
<b>End Plate</b>	<b>EPF-1</b>	<b>EPF-1</b>
<b>Color</b>	<b>Grey</b>	<b>Grey</b>
<b>Approvals</b>		

## HTP-4 and Double Deck


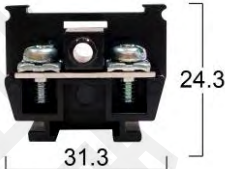
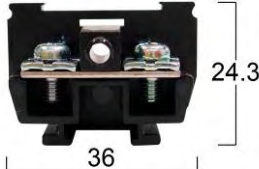




Feed –Through Terminals Spring clamp connection Material : PA66 Rail mount on TS32/TS35 or direct mounting	HTP-4		Feed –Through Terminals Screw clamp connection Material : PC Rail mount on TS15/TS35 or direct mounting	MEC-15		MEC-25	
	 43 58.5			 46 49.8		 46 49.8	
Qty. p. pck (g/pcs)	1140/100		Qty. p. pck (g/pcs)	1100/100		1730/100	
Terminal width	6.2mm/11.5mm		Terminal width	7mm		9.8mm	
Heat deflection °C	0.2-6/0.2-4		Heat deflection °C	130 °C		130 °C	
AWG	22-10		AWG	22-16		22-12	
Electrical ratings	Voltage V	Current A	Electrical ratings	Voltage V	Current A	Voltage V	Current A
VDE	750	34	VDE	600	15	600	25
CE	600	32	CE	600	15	600	25
UL	600	30	UL	600	15	600	25
End plate	EPP-4		End plate	MEC-15-02 or MEC-15-02L		MEC-15-02 or MEC-15-02L	
Color	Grey, Pear		Color	Black		Black	
Approvals			Approvals				

## NHT-Series for TS-35




Feed –Through Terminals	NHT-10	NHT-20	NHT-30	NHT-60	NHT-100
					
Qty. p. pck (g/pcs)	760/100	1060/100	1400/100	3170/88	4310/10
Terminal width	9mm	10.6mm	13.2mm	22.5 mm	32 mm
Heat deflection °C	130°C	130°C	130°C	130°C	130°C
AWG	22-16	22-14	22-12	6	2
Electrical ratings	Voltage V    Current A	Voltage V    Current A	Voltage V    Current A	Voltage V    Current A	Voltage V    Current A
CE	600        10	600        20	600        30	600        60	600        100
CSA	600        10	600        20	600        30	600        60	600        100
UL	600        10	600        20	600        30	600        60	600        100
End plate	NHT-10-02	NHT-10-02	NHT-10-02	-	-
Color	Black	Black	Black	Black	Black
Approvals	CE	CE	CE	UL® CE	UL® CE

Feed-Through Terminals and Assemblies · Screw clamp connection · Material: PC · Rail mount on TS35	NHT-202		NHT-2		NHT-3.5		NHT-8		NHT-14	
										
Qty. p. pck (g/pcs).	1021/50		453/20		738/20		1305/20		2420/100	
Terminal width	25.8 mm		25.8 mm		35.5 mm		43.5 mm		16 mm	
Heat deflection °C	130°C		130°C		130°C		130°C		130°C	
AWG	14		14		12		8		6	
Electrical ratings	Voltage V Current A		Voltage V Current A		Voltage V Current A		Voltage V Current A		Voltage V Current A	
<b>CE/CSA/UL</b>	<b>600 20</b>		<b>600 20</b>		<b>600 30</b>		<b>600 50</b>		<b>600 60</b>	
Pole	2P		3P		3P		3P		1P	
Color	Black		Black		Black		Black		Black	
Approvals	CE		UL CE		UL CE		UL CE		UL CE	
Feed-Through Terminals and Assemblies · Screw clamp connection · Material: PC · Rail mount on TS35	NHT-22		NHT-38		NHT-200		NHT-400			
										
Qty. p. pck (g/pcs).	933/20		1060/10		615/3		1330/3			
Terminal width	22.5 mm		32mm		39.5mm		62.5mm			
Heat deflection °C	130°C		130°C		130°C		130°C			
AWG	4		2		4/0		500			
Electrical ratings	Voltage V Current A		Voltage V Current A		Voltage V Current A		Voltage V Current A			
<b>CE/CSA/UL</b>	<b>600 90</b>		<b>600 130</b>		<b>600 240</b>		<b>600 370</b>			
Pole	1P		1P		1P		1P			
Color	Black		Black		Black		Black			
Approvals	UL CE		UL CE		UL CE		UL CE			

## NHC-Series for TS-15

<b>Feed –Through Terminals</b> <b>Screws clamp connection</b> <b>Material : PC</b> <b>Rail mount on TS15</b>	<b>NHC-10</b>	<b>NHC-20</b>	<b>NHC-30</b>	<b>NHC-60</b>	<b>NHC-100</b>
				 	 
<b>Qty. p. pck (g/pcs)</b>	<b>1140/20</b>	<b>1780/20</b>	<b>2360/30</b>	<b>3870/100</b>	<b>356/4</b>
<b>Terminal width</b>	<b>8.5mm</b>	<b>10.8mm</b>	<b>13.2mm</b>	<b>20mm</b>	<b>23 mm</b>
<b>Heat deflection °C</b>	<b>130°C</b>	<b>130°C</b>	<b>130°C</b>	<b>130°C</b>	<b>130°C</b>
<b>AWG</b>	<b>22-16</b>	<b>22-14</b>	<b>22-12</b>	<b>12-8</b>	<b>8-2</b>
<b>Electrical ratings</b>	<b>Voltage V    Current A</b>	<b>Voltage V    Current A</b>	<b>Voltage V    Current A</b>	<b>Voltage V    Current A</b>	<b>Voltage V    Current A</b>
<b>CE/CSA/UL</b>	<b>600        10</b>	<b>600        20</b>	<b>600        30</b>	<b>600        60</b>	<b>600        100</b>
<b>End plate</b>	<b>NHC-10-02</b>	<b>NHC-20-02</b>	<b>NHC-30-02</b>	<b>NHC-60-02</b>	<b>NHC-100-02</b>
<b>Color</b>	<b>Black</b>	<b>Black</b>	<b>Black</b>	<b>Black</b>	<b>Black</b>
<b>Approvals</b>	<b>CE</b>	<b>CE</b>	<b>CE</b>	<b>CE</b>	<b>CE</b>







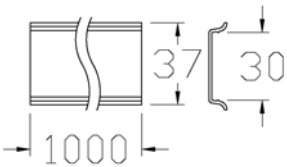
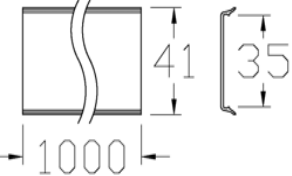
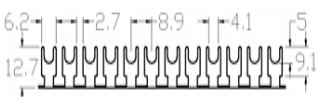
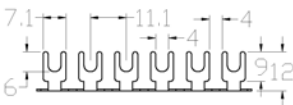
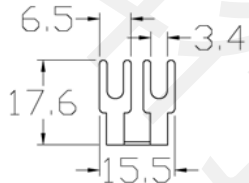
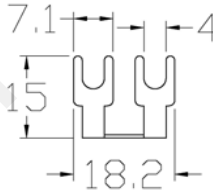
# Accessory

<p><b>HT-5</b></p>	<p><b>EP-4</b></p>	<p><b>EP-16</b></p>	<p><b>EP-35</b></p>	<p><b>EPF-1</b></p>	<p><b>EPP-4</b></p>
					
<p><b>HT-5</b> <b>Gray</b></p>	<p><b>HT-5N</b></p>	<p><b>HT-2.5-01C</b></p>	<p><b>HT-4-01C</b></p>	<p><b>TS-15</b></p>	<p><b>TS-35</b></p>
	 <p><b>Color: Pear , Grey</b></p>				
<p><b>NHT-10-02</b></p> 	<p><b>NHC-10-06</b></p> 		<p><b>1~10</b> S <b>91~100</b> A~Z PE</p>		







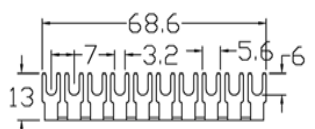
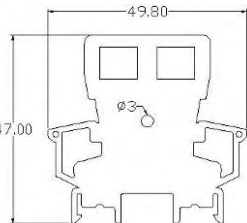
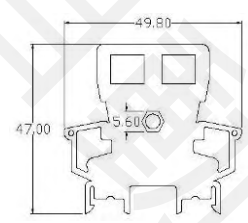
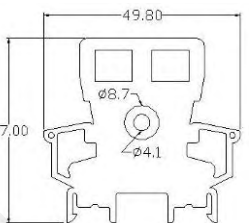
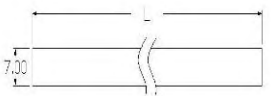
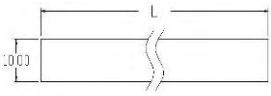


## Accessory

NHC-10-02	NHC-20-02	NHC-30-02	NHC-60-02	NHC-100-02	NHC-10-05
					
					

NHT-10-06	NHT-30-06	NHT-10-53	NHT-20-53	12D-53	18D-53
					
					

# Accessory

MEC-15-53	MEC-15-02	MEC-15-02R	MEC-15-02L	NHT-10-01C	MEC-15-01C																								
																													
				 <table border="1" data-bbox="1456 670 1769 734"> <tr> <td>Model No.</td> <td>NHT-10-30</td> <td>NHC-10</td> <td>NHC-20</td> <td>NHC-30</td> </tr> <tr> <td>DNK</td> <td></td> <td></td> <td></td> <td></td> </tr> <tr> <td>L (mm)</td> <td>140</td> <td>180</td> <td>230</td> <td>280</td> </tr> </table>	Model No.	NHT-10-30	NHC-10	NHC-20	NHC-30	DNK					L (mm)	140	180	230	280	 <table border="1" data-bbox="1848 646 2094 726"> <tr> <td>Model No.</td> <td>MEC-15</td> <td>MEC-25</td> </tr> <tr> <td>DNK</td> <td></td> <td></td> </tr> <tr> <td>L (mm)</td> <td>230</td> <td>320</td> </tr> </table>	Model No.	MEC-15	MEC-25	DNK			L (mm)	230	320
Model No.	NHT-10-30	NHC-10	NHC-20	NHC-30																									
DNK																													
L (mm)	140	180	230	280																									
Model No.	MEC-15	MEC-25																											
DNK																													
L (mm)	230	320																											
HT-2.5-47	HT-4-47	HT-10-47	HT-16-47	HT-35-47																									
