

DEFINITE PURPOSE CONTACTORS



*Used On Air Conditioning, Refrigeration,
Heating, Lighting*

Features :

Easily Operate , Lower Price
Large Capacity , Approval , Small



賀電實業股份有限公司






Definite Purpose Contactors

1Pole 、 2Pole 、 3Pole and 4 Pole

CONTROL CIRCUIT : AC

				
AC201+Shunt PIN	AC202 Box lug	AC303 Screw	AC204 PIN	AC504 Box lug

Definite purpose contactors are ideal for air conditioning, refrigeration, heating, lighting, pools, spas and food service equipment.

Model Name	Line & Load Terminals	Number of Poles	Full Load Amps	Locked Rotor Amps			Resistive Amperes Per Pole	Weight KG	Approval
				240V	480V	600V			
AC201		1/+Shunt					0.265		
AC202	Screw /	2	20	120	100	80	0.282		
AC203	Box lug	3					0.440		
AC204		4					0.520		
AC251		1/+Shunt					0.265		
AC252	Screw /	2	25	120	12	100	0.282		
AC253	Box lug	3					0.440		
AC254		4					0.520		
AC301		1/+Shunt					0.265		
AC302	Screw /	2	30	180	150	120	0.282		
AC303	Box lug	3					0.440		
AC304		4					0.520		
AC401		1/+Shunt					0.330		
AC402	Screw /	2	40	240	200	160	0.347		
AC403	Box lug	3					0.505		
AC404		4					0.585		
AC501		1/+Shunt					0.330		
AC502	Screw /	2	50	300	250	200	0.347		
AC503	Box lug	3					0.505		
AC504		4					0.585		

Model Designation

AC203A5-S1A0

1 2 3 4 5 6 7 8

1-Air Conditioning

Air Conditioning, Heating,
Lighting

2-Full Load Amps

20 = 20 FLA
25 = 25 FLA
30 = 30 FLA
40 = 40 FLA
50 = 50 FLA

3-Number of Poles:

1 = 1 Pole + 1 Shunt
2 = 2 Pole
3 = 3 Pole
4 = 4 Pole
5 = 1 Pole
6 = 3a→2Pole

4-Coil Voltage

Coil Voltage	24V	48V	110V	120V	190V	220V	230V	240V	380V	415V	440V	480V	277V	600V
50Hz	A5	C5	D5	E5	F5	G5	H5	I5	J5	L5	M5	N5	W5	Q5
60Hz	A6	C6	D6	E6	F6	G6	H6	I6	J6	L6	M6	N6	W6	Q6

5.-Mounting Plate:

R = Dine Rail
S = Standard Mounting

6.-Main Terminals:

1 = Screw
2 = Screw with quick connect
3 = Box Lug
4 = Box Lug with quick connect

7.-Coil Terminals:

A = 6.35 mm (.250") quick connect on the same side in 3 and 4 pole models.
B = 6.35 mm (.250") quick connect on the opposite side in 1,2 and 3 pole models.
C = Dual terminals with screw on the same side in 3 pole models.
D = Dual terminals with screw on the opposite side in 2 and 3 pole models.

8.-Power Quick Terminals

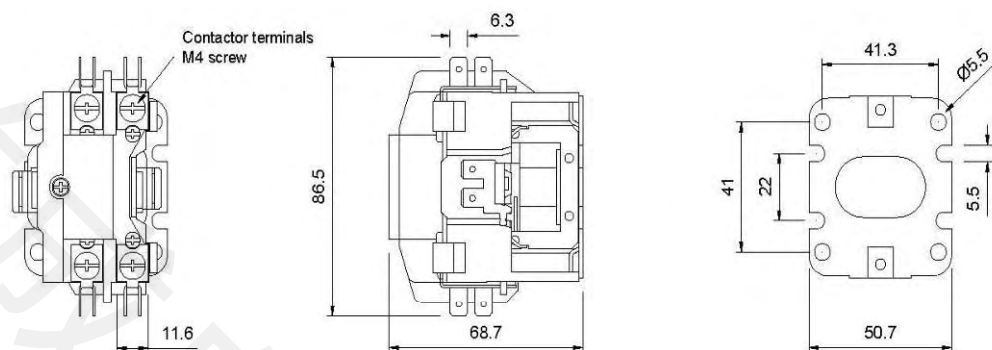
Blank = Qual terminals in 1 and 2 pole models. Dual terminals in 3 and 4 pole models.
0 = Without any terminals.
1 = Terminals on line side only.
2 = Terminals on load side only.
3 = Dual terminals in 1 and 2 poles.

Definite Purpose Contactors

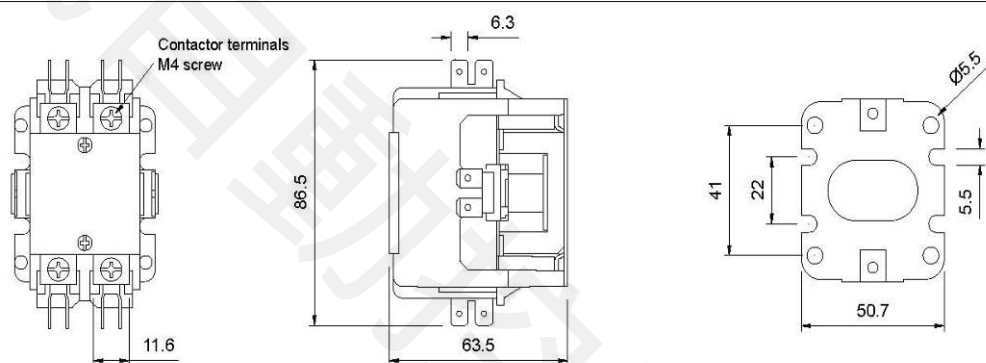
1 Pole、2 Pole、3 Pole and 4 Pole

Dimensions(mm)

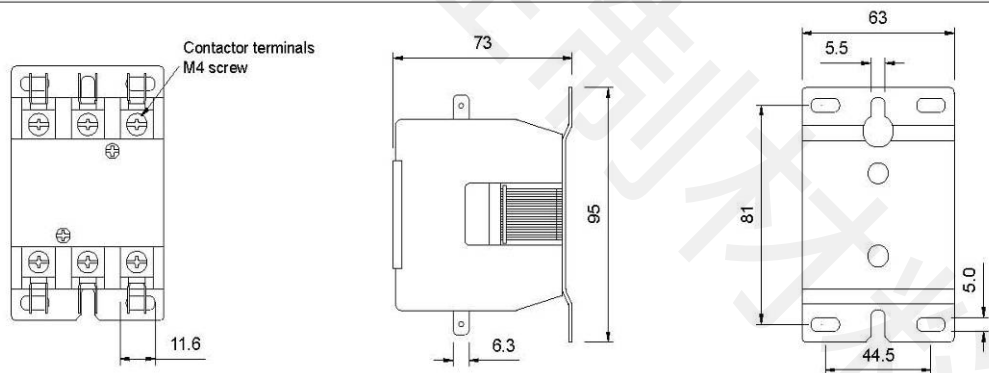
1 Pole



2 Pole



3 Pole



4 Pole

