

BR1

Dual Display Amplifier



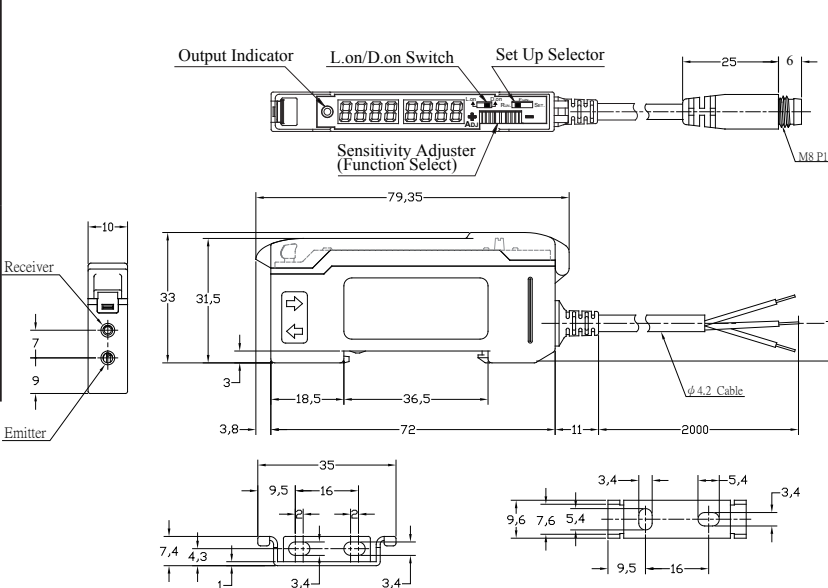
◆Characteristic / 特點：

- Easy to install. / 設定方便，容易上手。
- Numeric displays, interactive prompts./雙數顯字型面板，且運算快。
- Applications focus on many industries,such as semiconductor assembly, handling technology and packing. / 此產品可應用在許多產業中，包含半導體、裝卸作業和包裝產業等。
- Depends on the mounting direction, the digital diplay of BR1 can be inverted. /BR1的雙數顯字面板，可依您裝上的方向，而作反轉調整。
- Response time selectable:(200、500、1000、5000) μ s./ 4段速度選擇:(200、500、1000、5000) μ s

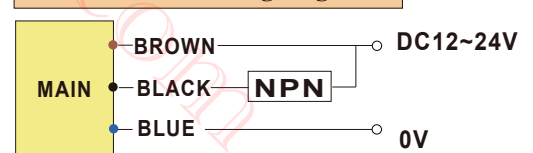
◆Specifications / 規格表：

| Model / 型號 | Pre-wired ϕ 4.2 | BR1-N | BR1-P |
|---------------------------------|---|-------------------------------------|-----------------|
| | M8 pigtailed type | BR1-NB | BR1-PB |
| Emitting light / 發光源 | Red LED 660nm | | |
| Operating voltage / 工作電壓 | DC12 to 24 \pm 10% | | |
| Current Consumption / 消耗電流 | 45mA Max. | | |
| Load current / 負載電流 | 100mA Max at DC 24V | | |
| Output type / 輸出模式 | NPN L.on / D.on | | PNP L.on / D.on |
| Protection circuit / 保護電路 | Reversed polarity protection, over-current protection | | |
| Response time / 反應時間 | on: 200 μ s, off: 200 μ s MAX (200、500、1000、5000) μ s | | |
| Indicators / 指示燈 | Output indicator : Red LED | | |
| Sensitivity adjustment/靈敏度功能 | 4 Digits 0000-9999、0000-4000 | | |
| Insulation resistance / 隔離阻抗 | 20M Ω min. (DC500V) | | |
| Voltage withstandabiligy / 絕緣耐壓 | AC500V 60Hz for 60 Sec. | | |
| Operating temperature/工作溫度 | - 10 $^{\circ}$ C ~ + 60 $^{\circ}$ C | | |
| Ambient humidity / 工作溼度 | 35% ~ 85% RH | | |
| Protection degree / 防水等級 | IP64 | | |
| Material / 外觀材質 | ABS | | |
| Wiring method / 出線方式 | BR1-□ | Pre-wired ϕ 4.2 x 2M / 3-wires | |
| | BR1-□B | M8 pigtailed type / M8 接頭15cm電線式 | |
| Weight / 重量 | BR1-□ | Approx.65 g | |
| | BR1-□B | Approx.30 g | |

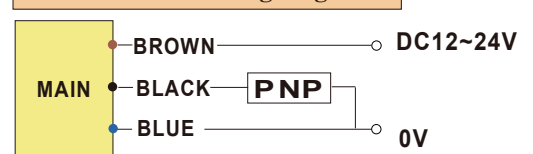
◆Dimensions/尺寸圖：



BR1-N□ Wiring diagram



BR1-P□ Wiring diagram



BR1-□B

