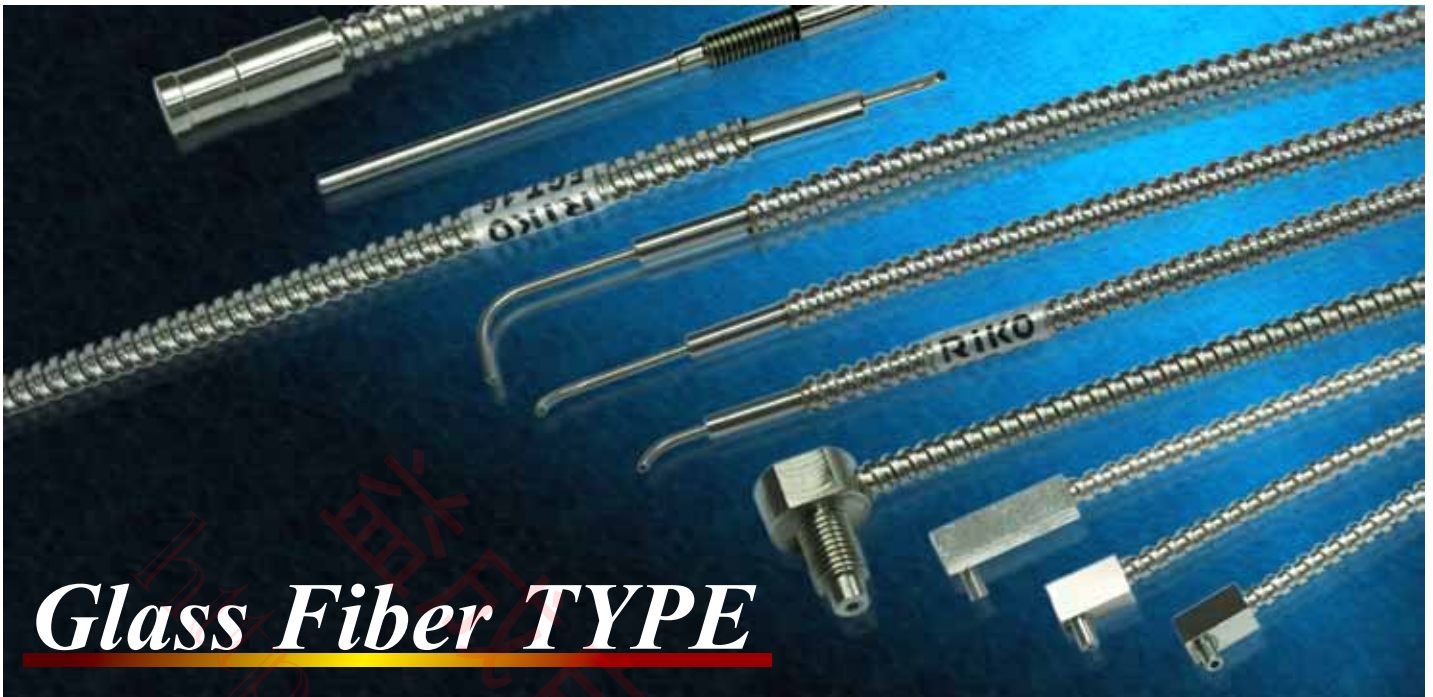


# FG

## Glass Fiber Optic

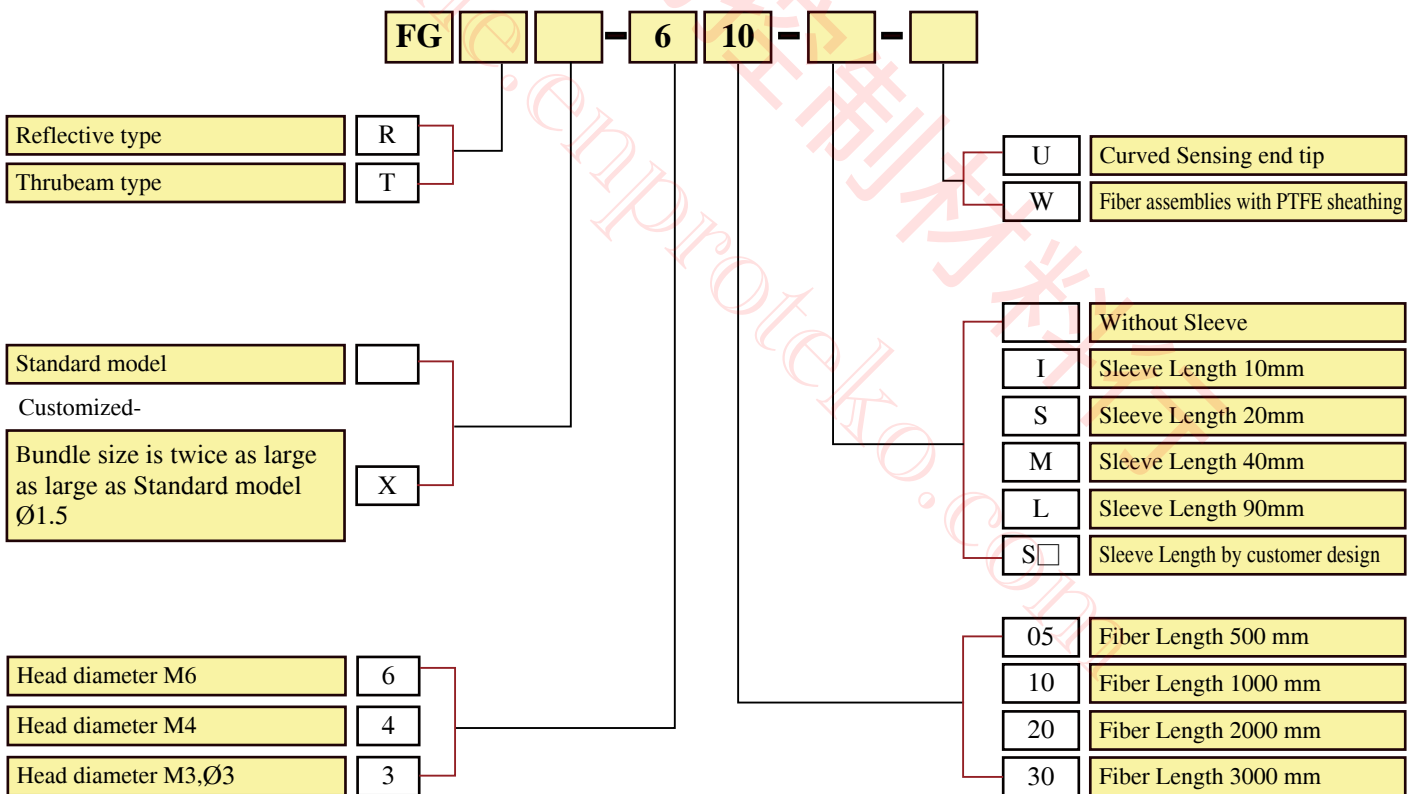
- Fiber
- PR /PT
- FR /FT
- Glass Fiber
- Light Guide
- Silica Fiber
- Access



### Glass Fiber TYPE

Fiber customized for special dimension

◆Order Information :



# Glass Fiber Optic

# FG

Model	Dimensions	Wavelength	Individual fiber diameter	Sensing distance (FZ1)	Operate temperature	Minimum bending radius
FGR-310(R)		380nm ~ 1300nm	53 $\mu$ m $\pm$ 4 $\mu$ m	80mm	-40°C ~ +250°C	R23
FGR-410(R)		380nm ~ 1300nm	53 $\mu$ m $\pm$ 4 $\mu$ m	80mm	-40°C ~ +250°C	R23
FGR-415-M(R)		380nm ~ 1300nm	53 $\mu$ m $\pm$ 4 $\mu$ m	80mm	-40°C ~ +250°C	R23
FGR-415-MU(R)		380nm ~ 1300nm	53 $\mu$ m $\pm$ 4 $\mu$ m	80mm	-40°C ~ +250°C	R23
FGR-610(R)		380nm ~ 1300nm	53 $\mu$ m $\pm$ 4 $\mu$ m	80mm	-40°C ~ +250°C	R23
FGR-630-SU(R)		380nm ~ 1300nm	53 $\mu$ m $\pm$ 4 $\mu$ m	80mm	-40°C ~ +250°C	R23

反射型 (Reflective)

Fiber

PR /PT

FR /FT

Glass Fiber

Light Guide

Silica Fiber

Access

**FG**

# Glass Fiber Optic

Fiber  
PR /PT  
FR /FT  
Glass Fiber  
Light Guide  
Silica Fiber  
Access

Model	Dimensions	Wavelength	Individual fiber diameter	Sensing distance (FZI)	Operate temperature	Minimum bending radius
FGR-11-10(R)		380nm ~ 1300nm	53 μm ± 4 μm	80mm	-40°C ~ +250°C	R23
FGRX-LT31-45/75		380nm ~ 1300nm	53 μm ± 4 μm	-	-40°C ~ +250°C	R23
FGR-A355ML		380nm ~ 1300nm	53 μm ± 4 μm	30mm	-40°C ~ +250°C	-
FGR-810(R)		380nm ~ 1300nm	53 μm ± 4 μm	80mm	-40°C ~ +250°C	R23
FGRX-610(R)		380nm ~ 1300nm	53 μm ± 4 μm	120mm	-40°C ~ +250°C	R23
FGR-047013 (FGR-4747-10)		380nm ~ 1300nm	53 μm ± 4 μm	-	-40°C ~ +250°C	R19
FGR-4708-10		380nm ~ 1300nm	53 μm ± 4 μm	-	-40°C ~ +250°C	R19

反射型 (Reflective)

# Glass Fiber Optic

# FG

Model	Dimensions	Wavelength	Individual fiber diameter	Sensing distance (FZ1)	Operate temperature	Minimum bending radius
FGR4-0606-10		380nm 1300nm	53 μm ± 4 μm	-	-40°C +250°C	R19
FGR3-BT23SM900		380nm 1300nm	53 μm ± 4 μm	-	-40°C +250°C	R24
FGR6-610(R)		380nm 1300nm	53 μm ± 4 μm	60mm	-40°C +250°C	R23
FGR-38K-20(R)		380nm 1300nm	53 μm ± 4 μm	2 15mm	-40°C +250°C	R23
FGR-67TG-20(R)		380nm 1300nm	53 μm ± 4 μm	80mm	-40°C +250°C	R24
FGT-310(R)		380nm 1300nm	53 μm ± 4 μm	360mm	-40°C +250°C	R23
FGT-410(R)		380nm 1300nm	53 μm ± 4 μm	360mm	-40°C +250°C	R23

反射型 (Reflective)

對照型 (Through)

Fiber  
PR /PT  
FR /FT  
Glass Fiber  
Light Guide  
Silica Fiber  
Access

**FG**

# Glass Fiber Optic

Fiber  
PR /PT  
FR /FT  
Glass Fiber  
Light Guide  
Silica Fiber  
Access

Model	Dimensions	Wavelength	Individual fiber diameter	Sensing distance (FZI)	Operate temperature	Minimum bending radius
FGTX-410(R)		380nm 1300nm	53 μm ± 4 μm	500mm	-40°C +250°C	R23
FGTX-410MU(R)		380nm 1300nm	53 μm ± 4 μm	500mm	-40°C +250°C	R23
FGTX-610(R)		380nm 1300nm	53 μm ± 4 μm	500mm	-40°C +250°C	R23
FGTX-403U <i>One fiber only</i>		380nm 1300nm	53 μm ± 4 μm	-	-40°C +250°C	R23
FGTX-406-U01 <i>One fiber only</i>		380nm 1300nm	53 μm ± 4 μm	-	-40°C +250°C	R23
FGT-11-10(R)		380nm 1300nm	53 μm ± 4 μm	500mm	-40°C +250°C	R23

特殊規格 (Thru-beam)

# Glass Fiber Optic

# FG

Model	Dimensions	Wavelength	Individual fiber diameter	Sensing distance (FZI)	Operate temperature	Minimum bending radius
FGT-12		380nm 1300nm	53 μm ± 4 μm	500mm	-40°C +250°C	R23
FGT-13		380nm 1300nm	53 μm ± 4 μm	-	-40°C +250°C	R23
FGT-16		380nm 1300nm	53 μm ± 4 μm	-	-40°C +250°C	R18
FGT-4747-10 <i>One fiber only</i>		380nm 1300nm	53 μm ± 4 μm	-	-40°C +250°C	R19
FGT-475D		380nm 1300nm	53 μm ± 4 μm	50mm	-40°C +250°C	R23
FGT-475DW-10		380nm 1300nm	53 μm ± 4 μm	50mm	-40°C +250°C	R10
FGT2-LM32-45/75-10		380nm 1300nm	53 μm ± 4 μm	80mm	-40°C +250°C	R18

對照型 (Through beam)

Fiber  
 PR /PT  
 FR /FT  
 Glass Fiber  
 Light Guide  
 Silica Fiber  
 Access

**FG**

# Glass Fiber Optic

Fiber  
PR /PT  
FR /FT  
Glass Fiber  
Light Guide  
Silica Fiber  
Access

Model	Dimensions	Wavelength	Individual fiber diameter	Sensing distance (FZ1)	Operate temperature	Minimum bending radius
FGT3-IT23SM900		380nm 1300nm	53 $\mu$ m $\pm$ 4 $\mu$ m	80mm	-40°C +250°C	R19
FGT-0606-20 <i>One fiber only</i>		380nm 1300nm	53 $\mu$ m $\pm$ 4 $\mu$ m	-	-40°C +250°C	R25
FGT3-0505-10 <i>One fiber only</i>		380nm 1300nm	53 $\mu$ m $\pm$ 4 $\mu$ m	-	-40°C +250°C	R20
FGTX-5656-30 <i>One fiber only</i>		380nm 1300nm	53 $\mu$ m $\pm$ 4 $\mu$ m	-	-40°C +250°C	R20
FGT4-08M12-20 <i>One fiber only</i>		380nm 1300nm	53 $\mu$ m $\pm$ 4 $\mu$ m	80mm	-40°C +250°C	R24
FGT-4708-10		380nm 1300nm	53 $\mu$ m $\pm$ 4 $\mu$ m	-	-40°C +250°C	R23
FGR-4706-10		380nm 1300nm	70 $\mu$ m $\pm$ 4 $\mu$ m	-	-40°C +250°C	R24
FGTX-67TG-20(R)		380nm 1300nm	50 $\mu$ m $\pm$ 4 $\mu$ m	500mm	-40°C +250°C	R24
FGT-77TG-20(R)		380nm 1300nm	50 $\mu$ m $\pm$ 4 $\mu$ m	250mm	-40°C +250°C	R24

普通型 (Throughbeam)