

PK5

Micro-sized Flat Photo Sensor

◆Characteristic / 特點 :

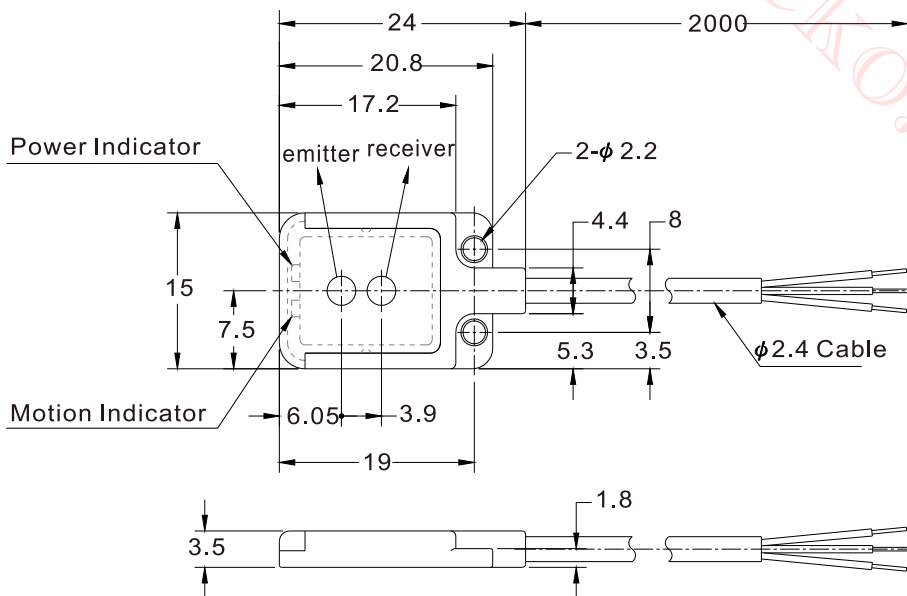
- Ultra slim body(only 3.5mm thickness). Easy to be mounted.
/體積薄(3.5mm)，容易安裝。
- Built-in amplifier, supply voltage DC 12 to 24V. To Control output directly.
/供應電源12-24V，內藏放大器，直接控制輸出。
- Transistor output 100mA.
/晶體輸出100mA。



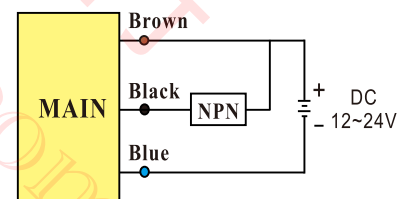
◆Specifications / 規格表 :

Model / 型號	PK5-DU03N	PK5-DU03P
Sensing type / 檢出方式	Diffuse reflection / 擴散反射式	
Sensing distance / 檢出距離	3 cm, 白板 100x100 (3.5cm)	
Emitting light / 發光源	Red LED 632 nm	
Operating voltage / 工作電壓	DC12 ~ 24 V±10% (Ripple P-P : 10% Max.)	
Current Consumption / 消耗電流	15 mA Max.	
Load current / 負載電流	100mA Max. at DC24V	
Output type / 輸出模式	NPN L.on	PNP L.on
Protection circuit / 保護電路	Reversed supply circuit protection, short circuit protection output 電源反接保護及輸出短路保護	
Response time / 反應時間	0.5 ms Max.	
Insulation resistance / 隔離阻抗	20MΩ min. (DC500V)	
Voltage withstandability / 絕緣耐壓	AC1000V 60Hz for 60 Sec.	
Operating temperature / 工作時溫度	-10°C ~ +45°C (No freezing allowed不可結霜,結冰)	
Ambient humidity / 工作時溼度	35% ~ 85% RH 相對溼度	
Storage temperature / 儲存時溫度	-10°C ~ +55°C (No freezing allowed不可結霜,結冰)	
Storage humidity / 儲存時溼度	35% ~ 95% RH 相對溼度	
Protection degree / 防水等級	IP64	
Material / 外觀材質	ABS	
Wiring method / 出線方式	Ø2.4 x 2 M / 3-wires	
Weight / 重量	Approx.20g	

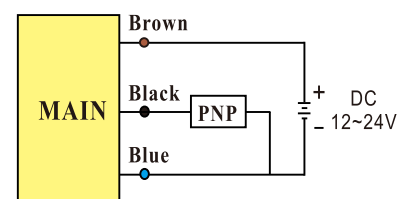
◆Dimensions/尺寸圖 :



NPN Type



PNP Type



Micro-sized Flat Photo Sensor

PK5

◆Characteristic / 特點 :

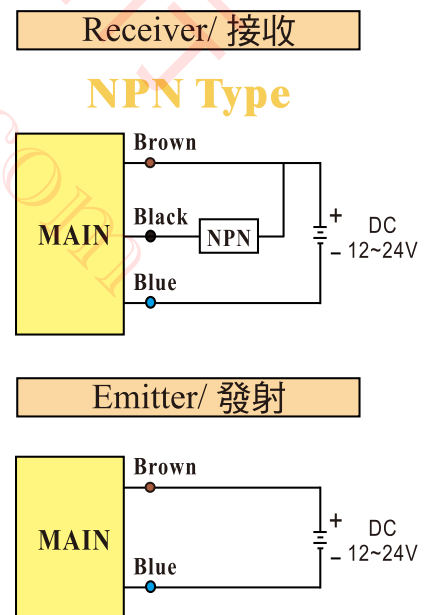
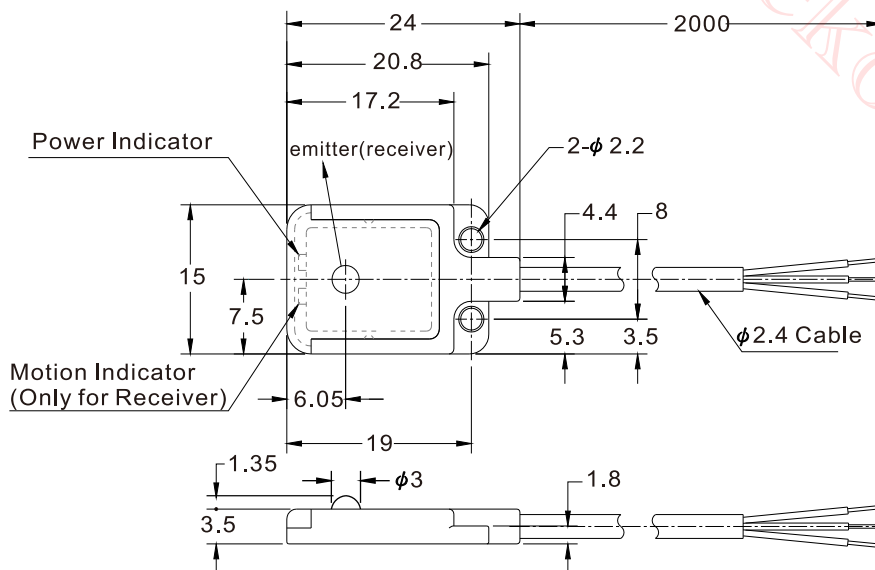
- Ultra slim body(only 3.5mm thickness). Easy to be mounted.
/體積薄(3.5mm)，容易安裝。
- Visible dual LED indicators.
/清晰易見的雙LED指示燈。
- High-speed response time : 0.5ms.
/高速反應0.5ms。



◆Specifications / 規格表 :

Model / 型號	PK5-1N	PK5-1P
Sensing type / 檢出方式	Through beam / 對照式	
Sensing distance / 檢出距離	1M	
Emitting light / 發光源	Infrared LED 940nm	
Operating voltage / 工作電壓	DC12 ~ 24 V±10% (Ripple P-P : 10% Max)	
Current Consumption / 消耗電流	15 mA Max.	
Load current / 負載電流	100mA Max. at DC24V	
Output type / 輸出模式	NPN D.on	PNP D.on
Protection circuit / 保護電路	Reversed supply circuit protection, short circuit protection output 電源反接保護及輸出短路保護	
Response time / 反應時間	0.5 ms Max.	
Insulation resistance / 隔離阻抗	20MΩ min. (DC500V)	
Voltage withstandability / 絕緣耐壓	AC1000V 60Hz for 60 Sec.	
Operating temperature / 工作時溫度	-10°C ~ + 45°C (No freezing allowed不可結霜,結冰)	
Ambient humidity / 工作時溼度	35% ~ 85% RH 相對溼度	
Storage temperature / 儲存時溫度	-10°C ~ + 55°C (No freezing allowed不可結霜,結冰)	
Storage humidity / 儲存時溼度	35% ~ 95% RH 相對溼度	
Protection degree / 防水等級	IP64	
Material / 外觀材質	ABS	
Wiring method / 出線方式	RX:Pre-wired / Ø2.4x2 M 3-wires	TX:Pre-wired / Ø2.4x2 M 2-wires
Weight / 重量	Approx.40g	

◆Dimensions/尺寸圖 :



Fiber

Photo Sensor

Area Sensor

Ultrasonic Sensors

Inductive Proximity Sensor

Capacitive Proximity Sensor

Timer / Counter

Others

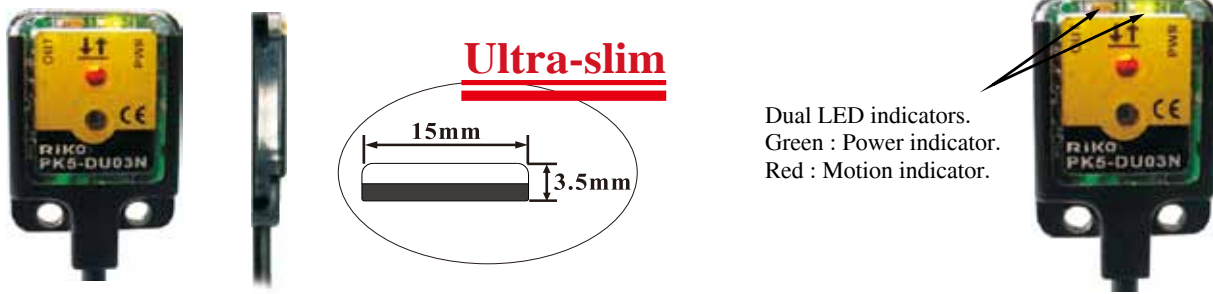
Accessories

PK5

Micro-sized Flat Photo Sensor

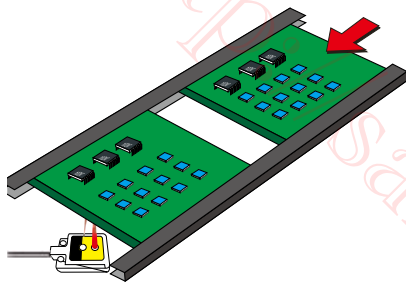
- ◆ Microminiature body with 3.5mm thickness only.
- ◆ Visible LED indicators.

Fiber
Photo Sensor
Area Sensor
Ultrasonic Sensors
Inductive Proximity Sensor
Capacitive Proximity Sensor
Timer / Counter
Others
Accessories

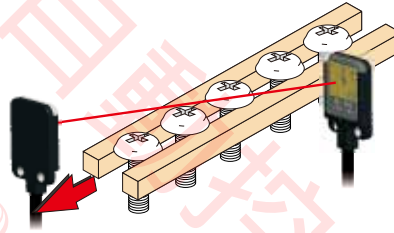


◆ Application / 應用例

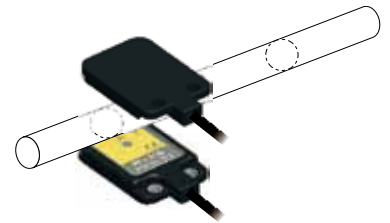
PCB detection.



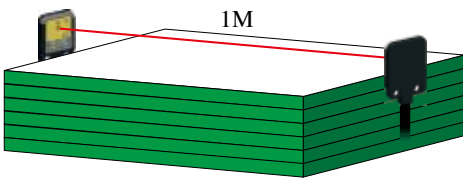
To detect the screws in conveyer.



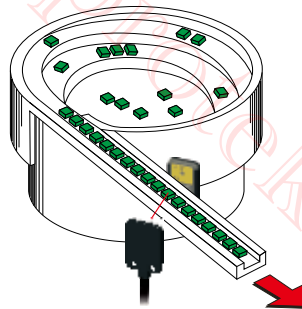
To detect the steel balls passing inside the glass tube.



Long sensing distance : 1M



To detect the objects in conveyer.



Detecting unseated IC.

