

# CABLES EXTENSIONS INDEX

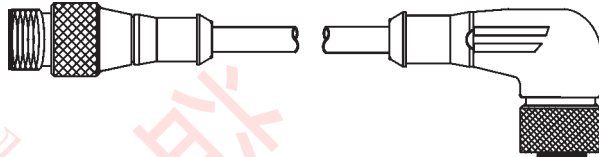
*Euro-style M12(male) TO M12(female)*

Page:G04



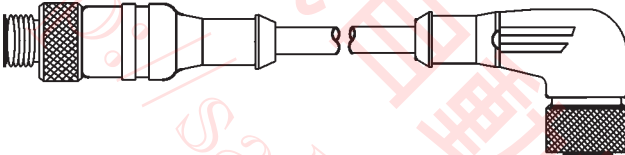
*Euro-style M12(male) TO M12(female right angle)*

Page:G05



*Euro-style M12(male) TO M12(female right angle with LED)*

Page:G06



*Euro-style M12(male) TO M8(female)*

Page:G07



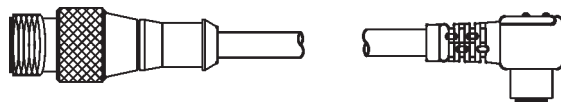
*Euro-style M12(male) TO M8(female)*

Page:G08



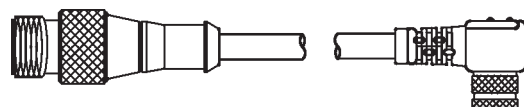
*Euro-style M12(male) TO M8(female right angle) with LED*

Page:G09



*Euro-style M12(male) TO Pico-style M8(female) with LED*

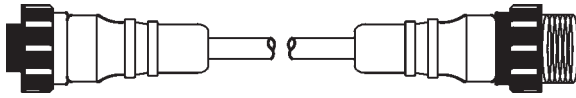
Page:G10



# CABLES EXTENSIONS INDEX

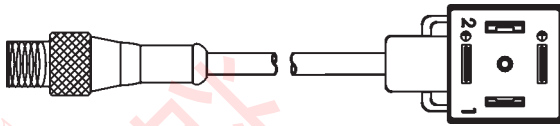
Mine-style M20 (female) TO Mine-style M20 (male with screw- lock)

Page:G11



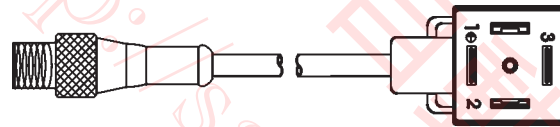
Euro-style M12 (male) TO Valve connector ( with LED)

Page:G12



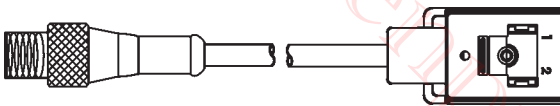
Euro-style M12 (male) TO Valve connector ( with LED)

Page:G13



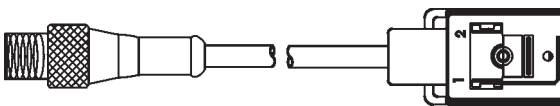
Euro-style M12 (male) TO Valve connector ( with LED)

Page:G14



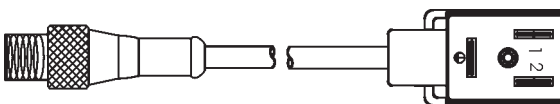
Euro-style M12 (male) TO Valve connector ( with LED)

Page:G15



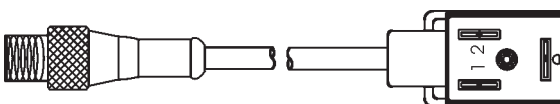
Euro-style M12 (male) TO Valve connector ( with LED)

Page:G16

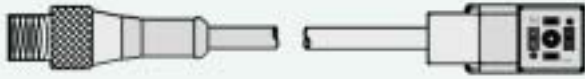


Euro-style M12 (male) TO Valve connector ( with LED)

Page:G17

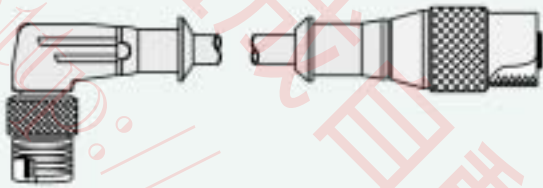


# CABLES EXTENSIONS INDEX



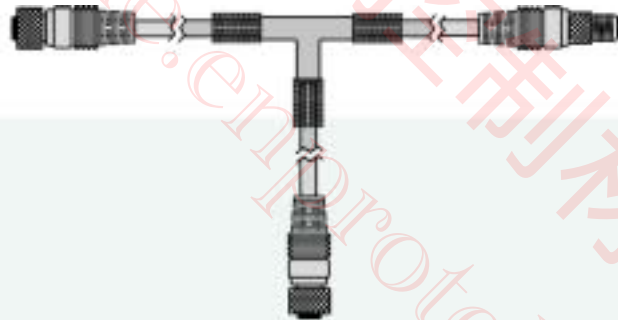
Euro-style M12 To Valve Connector with LED

Page:G19

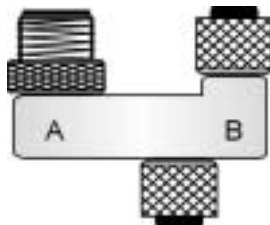


Multi-connector

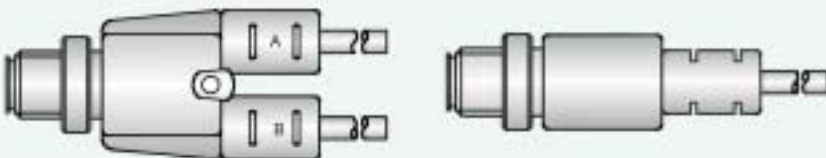
Page:G22-32



Hard-Shell Connectors

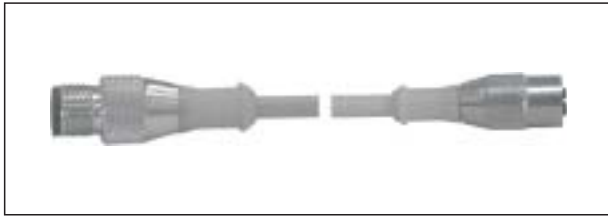


Page:G33-34



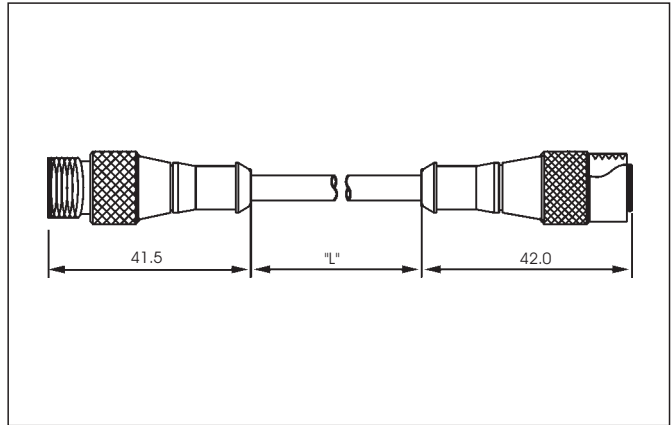
# CABLE EXTENSIONS, IP68(M12 TO M12)

## View



- Cable Extensions
- Male euro-style (M12) screw locking with (auto) securing safety nut
- Female euro-style (M12) screw locking with (auto) securing safety nut

## Dimensional data



## Technical Data

Application Class:	HNA acc.to DIN 40040 (-25 °C /+90 °C /<100%rF)	Protection:	IP68,NEMA 6P (only in full locked position)
Body:	TPU,self-extinguishing PUR,(Polyurethane)	Shock:	IEC-68-2-27
Nominal Power:	4A	Contact Resistance:	≤ 5m Ω
Nominal Voltage:	250VAC/300VDC	Dielectric Withstanding Voltage:	2KVAC RMS/60sec
Securing Safety Nut:	Nickel plated brass	Insulation Resistance:	>10 <sup>9</sup> Ω
		CSA certified:	219967

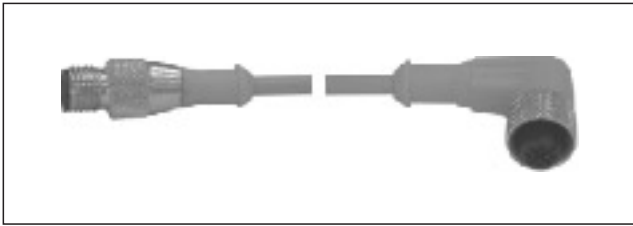
## Catalog Number

Part-No	Poles	Face View male/female	Color Code	Conductors		Outer Jacket	
				Guage	Stranding	φ mm	Material
R-MS3TZV062 + R-FS3TZV062	3		1=brown 3=blue 4=black	0.34mm <sup>2</sup>	42x φ 0.10	5.0	PVC
R-MS3TZV062 + R-FS4/3TZV062	3		1=brown 2= - 3=blue 4=black	0.34mm <sup>2</sup>	42x φ 0.10	5.0	PVC
R-MS4/3TZV062 + R-FS4/3TZV062	3		1=brown 2= - 3=blue 4=black	0.34mm <sup>2</sup>	42x φ 0.10	5.0	PVC
R-MS4TZV072 + R-FS4TZV072	4		1=brown 2=white 3=blue 4=black	0.25mm <sup>2</sup>	32x φ 0.10	5.0	PVC
R-MS5TZU822 + R-FS5TZU822	5		1=brown 2=white 3=blue 4=black 5=gray	0.50mm <sup>2</sup>	16x φ 0.20	6.0	PUR

Standard length: 0.3m, 0.6m, 1.0m, 1.5m, 2.0m. other cable length or cable specifications on request.

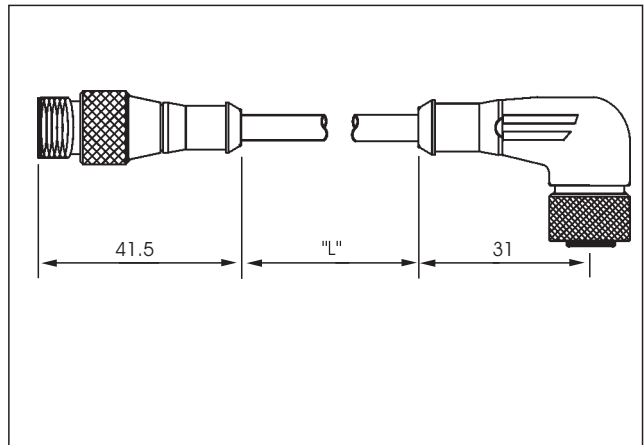
# CABLE EXTENSIONS, IP68(M12 TO M12)

## View



- Cable Extensions
- Male euro-style (M12) screw locking with (auto) securing safety nut
- Female plug (M12) right angle style screw locking with (auto) securing safety nut

## Dimensional data



## Technical Data

Application Class:	HNA acc. to DIN 40040 (-25 °C / +90 °C / ≤ 100%rF)	Shock:	IEC-68-2-27
Body:	TPU, self-extinguishing	Vibration:	IEC-68-2-6
Nominal Power:	4A	Contact Resistance:	≤ 5m Ω
Nominal Voltage:	250VAC/300VDC	Dielectric Withstanding	
Securing Safety Nut:	Nickel plated brass	Voltage:	2KVAC RMS/60sec
Protection:	IP68, NEMA 6P (only in full locked position)	Insulation Resistance:	> 10 <sup>9</sup> Ω
		CSA certified:	219967

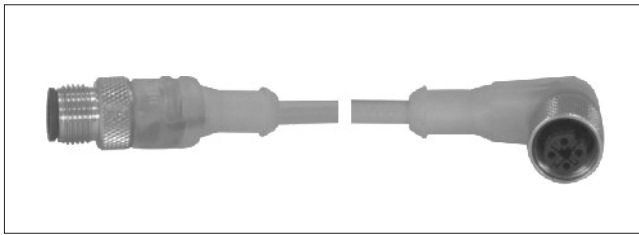
## Catalog Number

Part-No	Poles	Face View male/female	Color Code	Conductors		Outer Jacket	
				Guage	Stranding	φ mm	Material
R-MS3TZY042 + R-FA3TZY042	3		1=brown 3=blue 4=black	0.34mm <sup>2</sup>	42x φ 0.10	5.0	PUR/PVC
R-MS3TZV062 + R-FA4/3TZV062	3		1=brown 2= - 3=blue 4=black	0.34mm <sup>2</sup>	42x φ 0.10	5.0	PVC
R-MS4/3TZV062 + R-FA4/3TZV062	3		1=brown 2= - 3=blue 4=black	0.34mm <sup>2</sup>	42x φ 0.10	5.0	PVC
R-MS4TZY872 + R-FA4TZY872	4		1=brown 2=white 3=blue 4=black	0.25mm <sup>2</sup>	32x φ 0.10	5.0	PUR/PVC
R-MS4TZV072 + R-FA4TZV072				0.25mm <sup>2</sup>	32x φ 0.10		PVC
R-MS5TZU822 + R-FA5TZU822	5		1=brown 2=white 3=blue 4=black 5=gray	0.50mm <sup>2</sup>	16x φ 0.20	6.0	PUR

Standard length: 0.3m, 0.6m, 1.0m, 1.5m, 2.0m. other cable length or cable specifications on request.

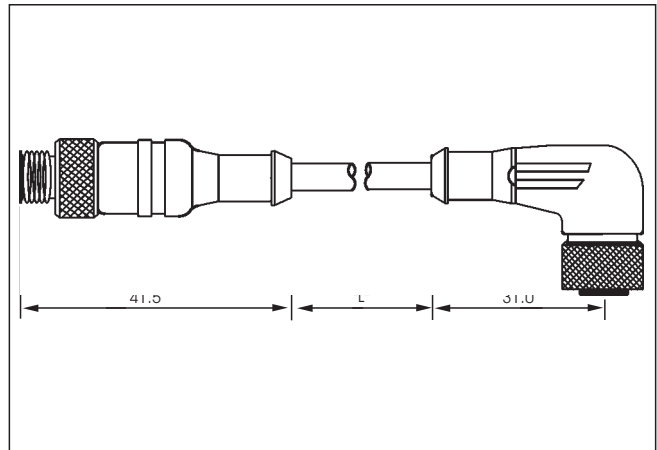
# CABLE EXTENSIONS, IP68(M12 TO M12)

## View



- Cable Extensions
- Male euro-style (M12) screw locking with (auto) securing safety nut
- Female euro-style (M12) right angle style screw locking with (auto) securing safety nut with built-in LED-operation and function indicators

## Dimensional data



## Technical Data

Application Class: HNA acc.to DIN 40040  
(-25 °C / +90 °C / ≤ 100%rF)

Body: TPU, self-extinguishing  
PUR (Polyurethane)

Nominal Power: 4A

Nominal Voltage: 10-30 VDC

Securing Safety Nut: Nickel plated brass

Protection: IP68, NEMA 6P  
(only in fully locked position)

Insertion Force (Contact): ≤ 2N (.45 LBS)

Withdrawal Force (Contact): ≥ 5N (.11 LBS)

Shock: IEC-68-2-27

Vibration: IEC-68-2-6

Contact Resistance: ≤ 5m Ω

Insulation Resistance: >10<sup>9</sup> Ω

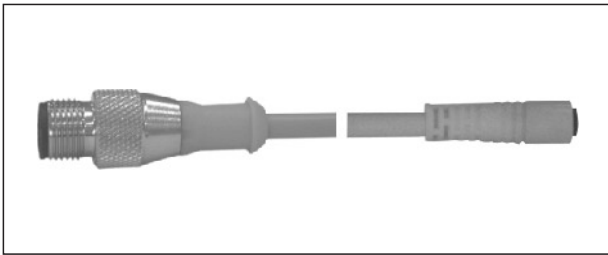
## Catalog Number

Part-No	Poles	Face view male/female	Color code	Conductors		Outer Jacket		Circuit LED-indicator
				Guage	Stranding	φ mm	Material	
R-MS3TPY042 + R-FA3TPY042A	3		1=brown 3=blue 4=black	0.34mm <sup>2</sup>	42x φ 0.10	5.0	PUR/PVC	A type Pnp-normally open =yellow-green 
R-MS3TPV062 + R-FA4/3TPV062A	3		1=brown 2=- 3=blue 4=black	0.34mm <sup>2</sup>	42x φ 0.10	5.0	PVC	
R-MS4/3TPV062 + R-FA4/3TPV062A	3		1=brown 2=- 3=blue 4=black	0.34mm <sup>2</sup>	42x φ 0.10	5.0	PVC	
R-MS4TPY872 + R-FA4TPY872F	4		1=brown 2=white 3=blue 4=black	0.25mm <sup>2</sup>	32x φ 0.10	5.0	PUR/PVC	F type pnp-normally closed/open =yellow-green 
R-MS4TPV072 + R-FA4TPV072F							PVC	
R-MS4TPY872 + R-FA4TPY872P	4		1=brown 2=white 3=blue 4=black	0.25mm <sup>2</sup>	32x φ 0.10	5.0	PUR/PVC	
R-MS4TPV072 + R-FA4TPV072P							PVC	

Standard length: 0.3m, 0.6m, 1.0m, 1.5m, 2.0m. other cable length or cable specifications on request.

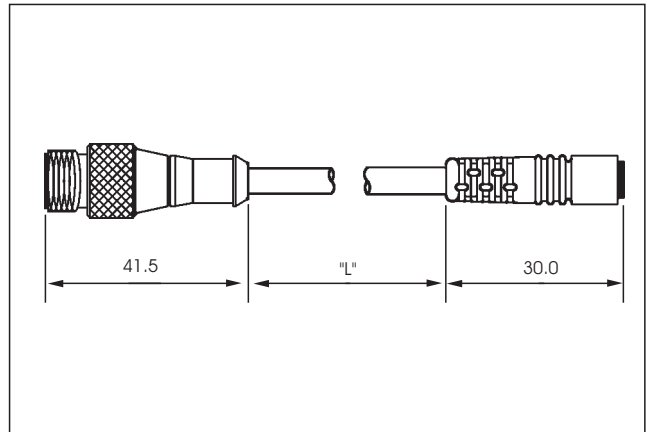
# CABLE EXTENSIONS,IP68(M12 TO M8)

## View



- Cable Extensions
- Male euro-style (M12) screw locking with (auto) securing safety nut
- Female pico-style (M8) snap-in device

## Dimensional data



## Technical Data

Application Class:	HNAacc to 40040(-25°C/+90°C<100%rF)	Protection:	IP68,NEMA6P (only in fully locked position)
Moulded Body:	TPU self-extinguishing PUR(Polyurethane)	Insertion Force(contact):	≤ 2N( .45 LBS)
Contact:	Cuzn, pre-nickel and 0.8microns gold-plated	Withdrawal Force(contact):	≥ 5N (.11 LBS)
Insert:	PUR(Plugs)	Shock:	IEC-68-2-27
Nominal Power:	4A	Vibration:	IEC-68-2-6
Nominal Voltage:	60VAC/75VDC	Contact Resistance:	≤ 5mΩ
Locknut:	Nickel plated brass	Insulation Resistance:	> 10 <sup>9</sup> Ω
		CSA certified:	219967

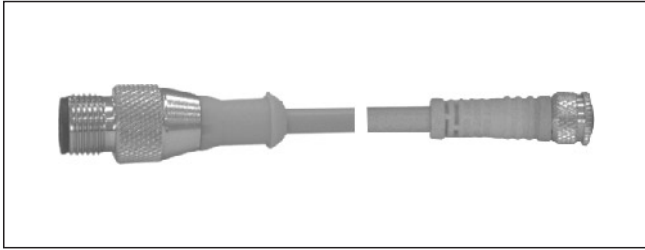
## Catalog Number

Part-No	Poles	Face View male/female	Color Code	Conductors		Outer Jacket	
				Guage	Stranding	φ mm	Material
R-MS3TZV062 + C-FS3NZV062	3		1=brown 3=blue 4=black	0.34mm <sup>2</sup>	42x φ 0.10	5.0	PVC
R-MS4/3TZV062 + C-FS3NZV062	3		1=brown 2= - 3=blue 4=black	0.34mm <sup>2</sup>	42x φ 0.10	5.0	PVC

Standard length: 0.3m, 0.6m, 1.0m, 1.5m, 2.0m. other cable length or cable specifications on request.

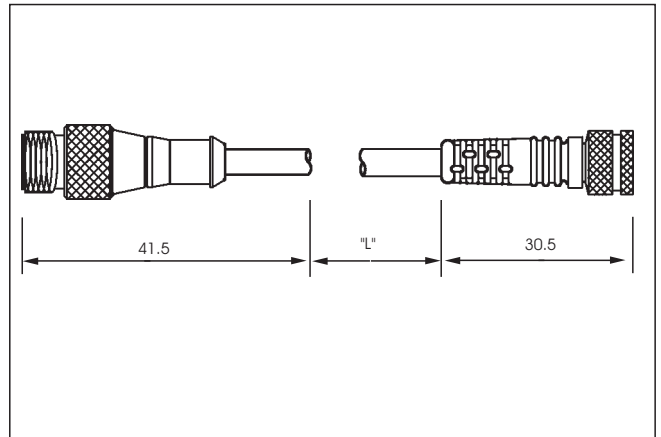
# CABLE EXTENSIONS, IP68 (M12 TO M8)

## View



- Cable Extensions
- Male euro-style (M12) screw locking with (auto) securing safety nut
- Female pico-style (M8) screw locking with (auto) securing safety nut

## Dimensional data



## Technical Data

Application Class:	HNA acc to 40040(-25°C/+90°C<100%rF)	Securing Safety Nut:	Nickel plated brass
Moulded Body:	TPU self-extinguishing	Body:	TPU, self-extinguishing
Nominal Power:	4A	Protection:	IP68
Nominal Voltage:	60VAC/75VDC	Insulation Group:	C acc.to VDE 0110
Contact:	CuZn, pre-nickeled and 0.8microns gold-plated	Insulation Resistance:	>10 <sup>9</sup> Ω
		CSA certified:	219967

## Catalog Number

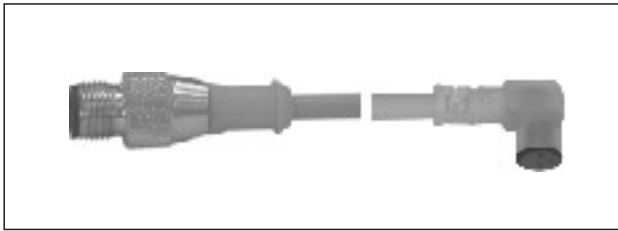
Part-No	Poles	Face View male/female	Color Code	Conductors		Outer Jacket	
				Guage	Stranding	φ mm	Material
R-MS3TZV062 + C-FS3TZV062	3		1=brown 3=blue 4=black	0.34mm <sup>2</sup>	42x φ 0.10	5.0	PVC
R-MS4/3TZV062 + C-FS3TZV062	3		1=brown 2=- 3=blue 4=black	0.34mm <sup>2</sup>	42x φ 0.10	5.0	PVC

Standard length: 0.3m, 0.6m, 1.0m, 1.5m, 2.0m. other cable length or cable specifications on request.



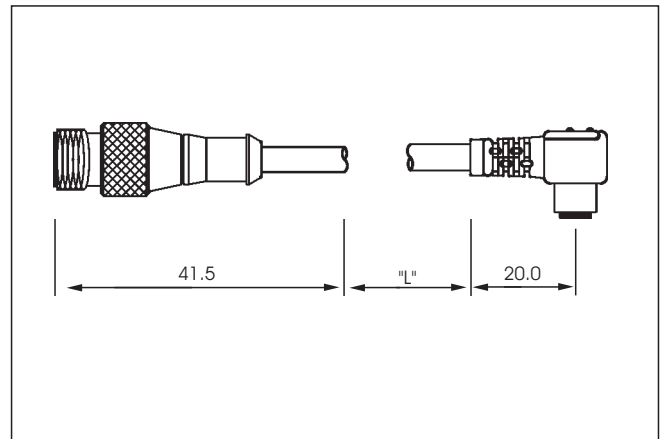
# CABLE EXTENSIONS, IP68 (M12 TO M8)

## View



- Cable Extensions
- Male euro-style (M12) screw locking with (auto) securing safety nut
- Female pico-style (M8) snap-in device right angle style with built-in LED-operation and function indicators

## Dimensional data



## Technical Data

Application Class:	HNA acc to 40040 (-25°C/+90°C<100%rF)	Securing Safety Nut:	Nickel plated brass
Moulded Body:	TPU self-extinguishing	Body:	TPU, self-extinguishing
Nominal Power:	4A	Protection:	IP 68
Nominal Voltage:	10-30 VDC	Insulation Group:	C acc.to VDE 0110
Contact:	CuZn, pre-nickelated and 0.8microns gold-plated	Insulation Resistance:	>10 <sup>9</sup> Ω

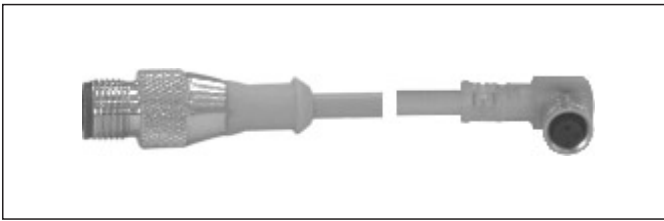
## Catalog Number

Part-No	Poles	Face View male/female	Color Code	Conductors		Outer Jacket		Circuit LED-indicator
				Guage	Stranding	φ mm	Material	
R-MS3TZV062 + C-FA3NPV062	3		1=brown 3=blue 4=black	0.34mm <sup>2</sup>	42x φ 0.10	5.0	PVC	<p>pnp-normally open =yellow-green</p>
R-MS4/3TZV062 + C-FA3NPV062	3		1=brown 2= - 3=blue 4=black	0.34mm <sup>2</sup>	42x φ 0.10	5.0	PVC	<p>pnp-normally open =yellow-green</p>

Standard length: 0.3m, 0.6m, 1.0m, 1.5m, 2.0m. other cable length or cable specifications on request.

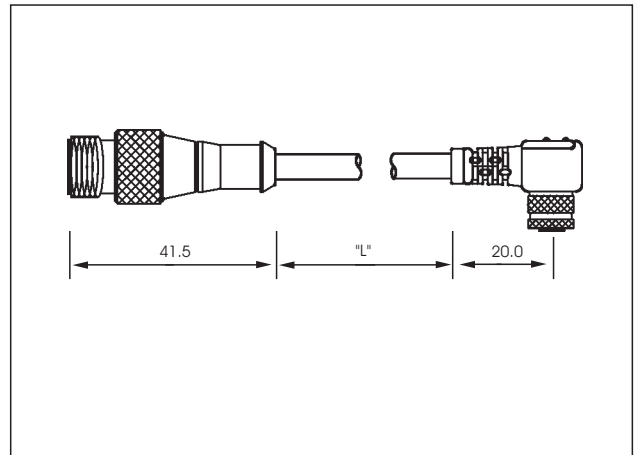
# CABLE EXTENSIONS, IP68(M12 TO M8)

## View



- Cable Extensions
- Male euro-style(M12) screw locking with(auto)securing safety nut
- Female pico-style (M8) right angle style screw Locking with(auto)securing safety nut with built-in LED-operation and function indicators

## Dimensional data



## Technical Data

Application Class: HNE acc.to DIN 40040  
(-25 °C /+90 °C / ≤ 75%rF)

Moulded Body: TPU self-extinguishing

Nominal Power: 4A

Nominal Voltage: 10-30 VDC

Contact: CuZn, pre-nickelated and 0.8microns gold-plated

Body: TPU, self-extinguishing

Securing Safety Nut: Nickel plated brass

Protection: IP 68

Insulation Group: C acc.to VDE 0110

Insulation Resistance: >10<sup>9</sup> Ω

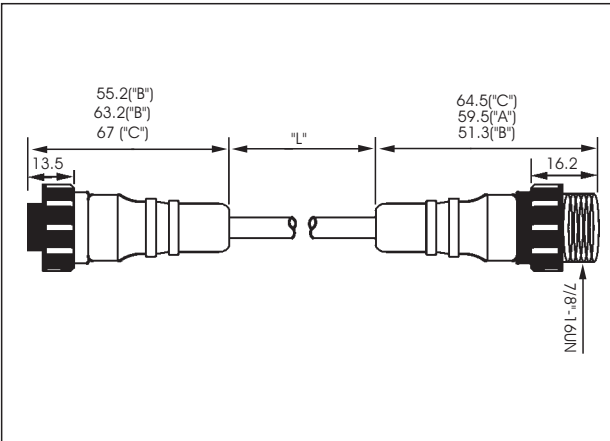
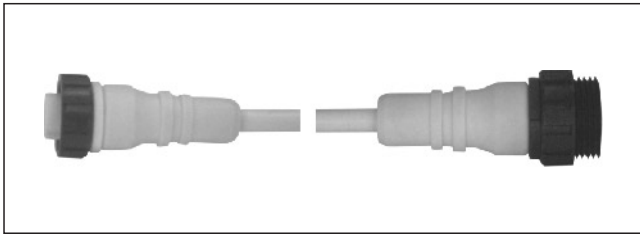
## Catalog Number

Part-No	Poles	Face View male/female	Color Code	Conductors		Outer Jacket		Circuit LED-indicator
				Guage	Stranding	φ mm	Material	
R-MS3TZV062 + C-FA3TPV062	3		1=brown 3=blue 4=black	0.34mm <sup>2</sup>	42x φ 0.10	5.0	PVC	<p>pn-p normally open =yellow-green</p>
R-MS4/3TZV062 + C-FA3TPV062	3		1=brown 2=- 3=blue 4=black	0.34mm <sup>2</sup>	42x φ 0.10	5.0	PVC	<p>pn-p normally open =yellow-green</p>

Standard length: 0.3m, 0.6m, 1.0m, 1.5m, 2.0m. other cable length or cable specifications on request.

# CABLE EXTENSIONS, IP68(M20 TO 20)

## View Dimensional data



- Mini-style (female) screw locking with (auto) securing safety nut
- Cable Extensions
- Orange
- Mini-style (male) with screw-lock and moulded cable

## Technical Data

Application Class:	GNA acc. To DIN 40040 (-40 °C / +90 °C / ≤ 100%rF)	Insertion Force/Contact:	≥ 3N
Moulded Body:	TPU self-extinguishing	Withdrawal Force/Contact:	≥ 3N
Nominal Power:	12A	Protection:	IP 68
Nominal Voltage:	250VAC	Water Pressure Resistance:	10 bar
Locknut:	Plastic	Insulation Group:	C acc.to VDE 0110
Contact:	CuZn, 3 microns silver-plated and 0.25 microns gold-plated	Contact Resistance:	≤ 5m Ω
		Test Voltage:	2+3poles, 2.0 KV eff./60s./ 4+5poles, 1.5 KV eff./60s.
		Insulation Resistance:	>10 <sup>9</sup> Ω

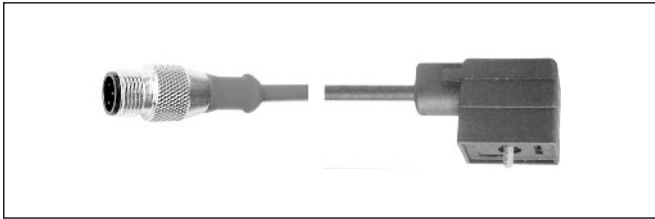
## Catalog Number

Part-No	Poles	Face View female/male	Color Code	Conductors		Outer Jacket	
				Guage	Stranding	φ mm	Material
Z-FS3PAV032+ Z-MS3PAV032	3		1=brown 2=black 3=blue	0.75mm <sup>2</sup>	22x φ 0.20	7.2	PVC
Z-FS4PAV422+ Z-MS4PAV422	4		1=brown 2=white 3=blue 4=black	0.50mm <sup>2</sup>	16x φ 0.20	6.3	PVC
Z-FS5PAV022+ Z-MS5PAV022	5		1=black 2=blue 3=yellow/green 4=brown 5=white	0.50mm <sup>2</sup>	16x φ 0.20	6.8	PVC
Z-FS6KAV442+ Z-MS6KAV442	6		1=black 2=blue 3=yellow 4=brown 5=white 6=green	0.50mm <sup>2</sup>	16x φ 0.20	6.8	PVC

Standard length: 0.3m, 0.6m, 1.0m, 1.5m, 2.0m. other cable length or cable specifications on request.

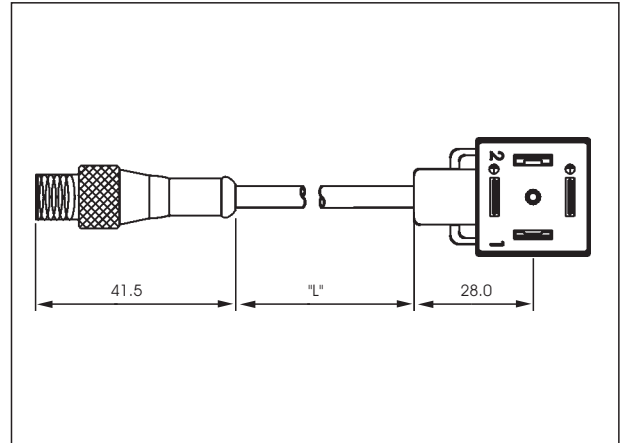
# CABLE EXTENSIONS, IP68(M12 TO VALVE CONNECTOR)

## View



- Cable extensions
- Euro-style (m12)
- Screw locking with(auto) securing Safety nut
- Valve connector accorded to DIN43650
- Construction type A/ISO 4400
- With built-in LED and varistor for voltage protection connected protective earth


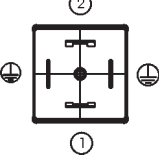
## Dimensional data



## Technical Data

Application Class: -20 °C to +80 °C  
 Nominal Power: 5A  
 Nominal Voltage: 24 VAC/DC  
 Securing Safety Nut: Nickel plated brass  
 Protection Class: IP67 NEMA 4 rated

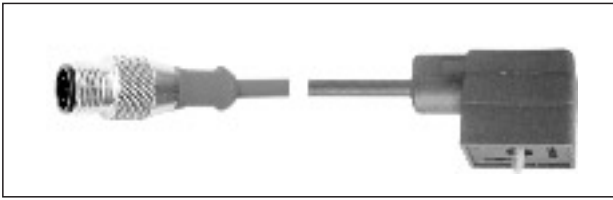
## Catalog Number

Part-No	Poles	Face View female/male	Color Code	Conductors		Outer Jacket	
				Guage	Stranding	φ mm	Material
R-MS5/3TZY052 + V-FANAVY052	5		1 = - 2 = - 3 = blue 4 = brown 5 = green/yellow	0.50mm <sup>2</sup>	16x φ 0.20	5.5	PUR/PVC
R-MS5/3TZV552 + V-FANAVV552			1 = brown 2 = blue ⊕ = green/yellow	0.50mm <sup>2</sup>	16x φ 0.20	5.0	PVC irradiated

Standard length: 0.3m, 0.6m, 1.0m, 1.5m, 2.0m. other cable length or cable specifications on request.

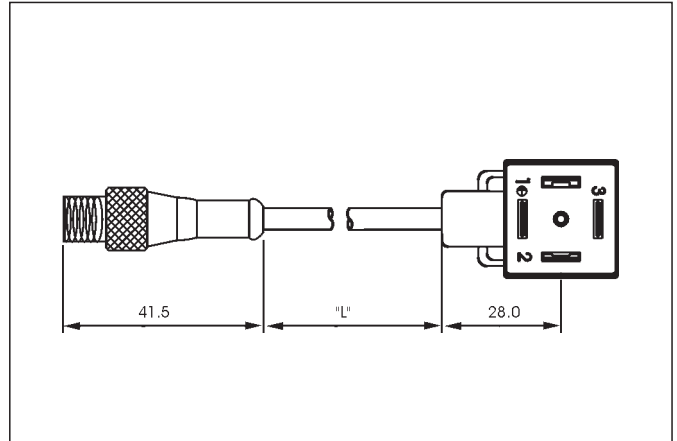
# CABLE EXTENSIONS, IP68(M12 TO VALVE CONNECTOR)

## View



- Cable Extensions
- Euro-style(M12)
- Screw locking with (auto) securing safety nut/valve connector according to DIN 43650
- Construction type A/ISO4400
- With 2 colour LED for pressure switch with changeover contact

## Dimensional data



## Technical Data

Application Class: -20 °C to +80 °C  
 Nominal Power: 5A  
 Nominal Voltage: 24 VAC/DC  
 Securing Safety Nut: Nickel plated brass  
 Protection Class: IP67 NEMA 4 rated

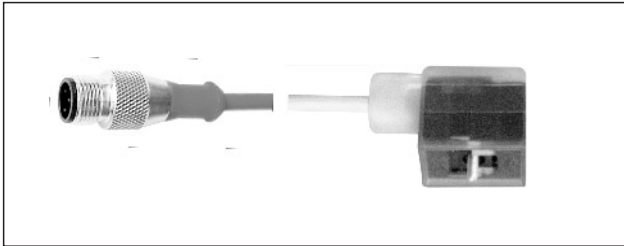
## Catalog Number

Part-No	Poles	Face View female/male	Color Code	Conductors		Outer Jacket	
				Guage	Stranding	φ mm	Material
R-MS5TZU822 + V-FAZATU522	5		1 = brown 2 = white 3 = blue 4 = black 5 = green/yellow	0.50mm <sup>2</sup>	16x φ 0.20	6.0	PUR
			1 = brown 2 = white 3 = black LED = blue ⊕ = green/yellow				

Standard length: 0.3m, 0.6m, 1.0m, 1.5m, 2.0m. other cable length or cable specifications on request.

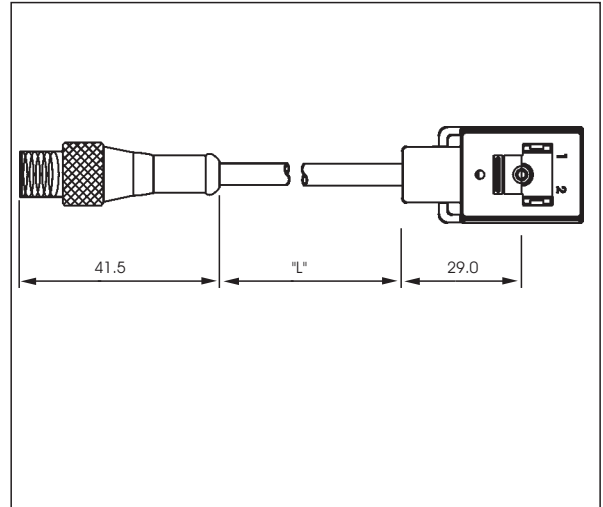
# CABLE EXTENSIONS, IP68(M12 TO VALVE CONNECTOR)

## View



- Cable Extensions
- Euro-style(12)
- Screw locking with (auto) securing safety nut/valve connector according To DIN 43650
- Construction type B
- With built-in LED and varistor for voltage protection

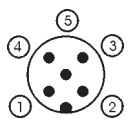
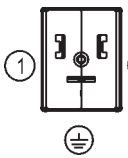
## Dimensional data



## Technical Data

Application Class: -20 °C to +80 °C  
 Nominal Power: 5A  
 Nominal Voltage: 24 VAC/DC  
 Securing Safety Nut: Nickel plated brass  
 Protection Class: IP67 NEMA 4 rated

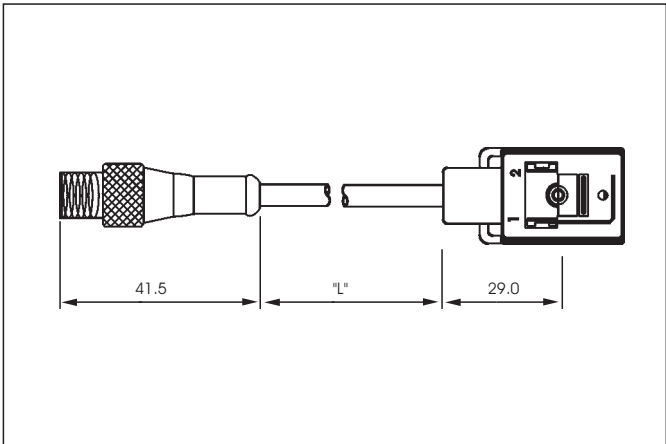
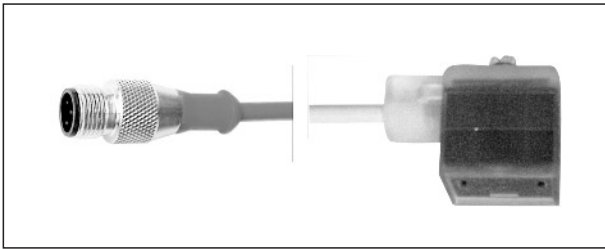
## Catalog Number

Part-No	Poles	Face View female/male	Color Code	Conductors		Outer Jacket	
				Guage	Stranding	φ mm	Material
R-MS5/3TZY052 + V-FAZBVY052	5		1 = - 2 = - 3 = blue 4 = brown 5 = green/yellow	0.50mm <sup>2</sup>	16x φ 0.20	5.5	PUR/PVC
R-MS5/3TZV782 + V-FAZBVV552			1 = brown 2 = blue ⊕ = green/yellow	0.34mm <sup>2</sup>	42x φ 0.10	5.0	PVC irradiated

Standard length: 0.3m, 0.6m, 1.0m, 1.5m, 2.0m. other cable length or cable specifications on request.

# CABLE EXTENSIONS, IP68 (M12 TO VALVE CONNECTOR)

## View Dimensional data



- Euro-style (M12)
- Screw locking with (auto) securing safety nut/valve connector according to DIN 43650
- Construction type B
- Cable exit 180°
- With built-in LED and varistor for voltage protection

## Technical Data

Application Class:	-20 °C to +80 °C
Nominal Power:	5A
Nominal Voltage:	24 VAC/DC
Securing Safety Nut:	Nickel plated brass
Protection Class:	IP67 NEMA 4 rated

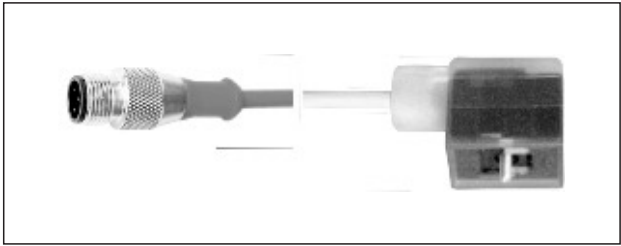
## Catalog Number

Part-No	Poles	Face View female/male	Color Code	Conductors		Outer Jacket	
				Guage	Stranding	φ mm	Material
R-MS5/3TZY052 + V-FAEBVY052	5		1 = - 2 = - 3 = blue 4 = brown 5 = green/yellow	0.50mm <sup>2</sup>	16x φ 0.20	5.5	PUR/PVC
R-MS5/3TZV552 + V-FAEBVV552			1 = brown 2 = blue ⊕ = green/yellow	0.50mm <sup>2</sup>	16x φ 0.20	5.0	PVC irradiated

Standard length: 0.3m, 0.6m, 1.0m, 1.5m, 2.0m. other cable length or cable specifications on request.

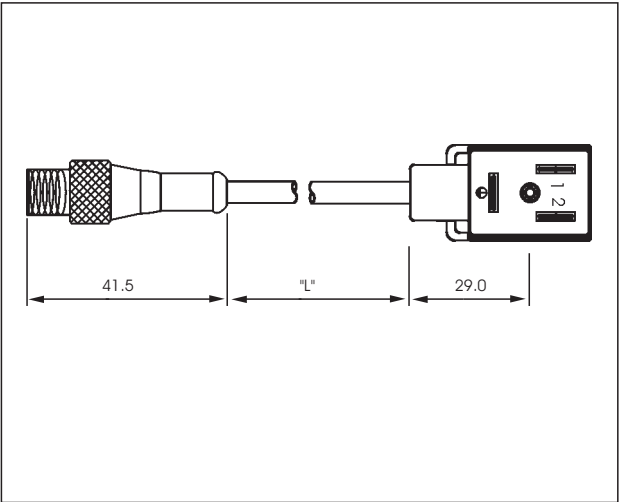
# CABLE EXTENSIONS, IP68(M12 TO VALVE CONNECTOR)

## View



- Cable Extensions
- Euro-style(M12)
- Screw locking with (auto) securing safety nut/valve connector according to DIN 43650
- Construction type B
- Industry standard construction
- With built-in LED and varistor for voltage protection

## Dimensional data



## Technical Data

Application Class:	-20 °C to +80 °C
Nominal Power:	5A
Nominal Voltage:	24 VAC/DC
Securing Safety Nut:	Nickel plated brass
Protection Class:	IP67 NEMA 4 rated

## Catalog Number

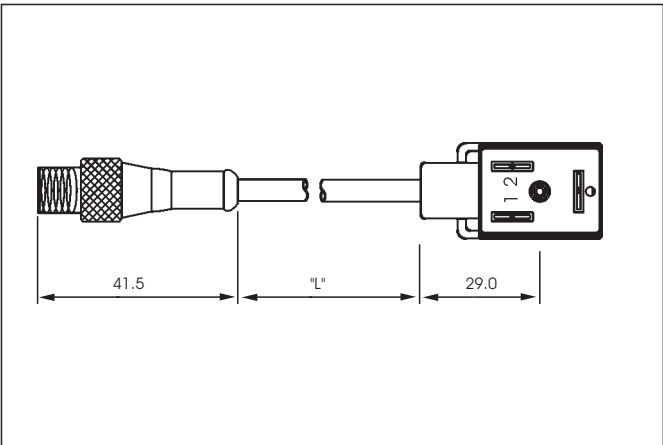
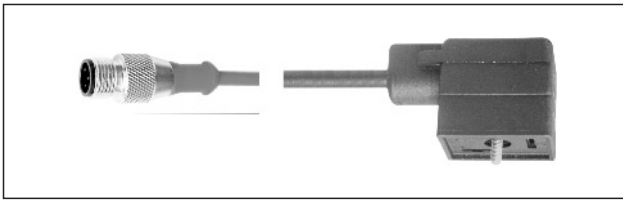
Part-No	Poles	Face View female	Color Code	Conductors		Outer Jacket	
				Guage	Stranding	φ mm	Material
R-MS5/3TZY052 + V-FAZDVY052	5		1 = - 2 = - 3 = blue 4 = brown 5 = green/yellow	0.50mm <sup>2</sup>	16x φ 0.20	5.5	PUR/PVC
R-MS5/3TZV552 + V-FAZDVV552			1 = brown 2 = blue ③ = green/yellow	0.50mm <sup>2</sup>	16x φ 0.20	5.0	PVC irradiated

Standard length: 0.3m, 0.6m, 1.0m, 1.5m, 2.0m. other cable length or cable specifications on request.



# CABLE EXTENSIONS, IP68(M12 TO VALVE CONNECTOR)

## View Dimensional data

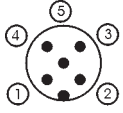
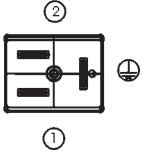


- Cable Extensions
- Euro-style(12)
- Screw locking with (auto) securing safety nut/valve connector according to DIN 43650
- Construction type B
- Industry standard construction
- Cable exit 180°
- With built-in LED and varistor for voltage protection

## Technical Data

Application Class:	-20 °C to +80 °C
Nominal Power:	5A
Nominal Voltage:	24 VAC/DC
Securing Safety Nut:	Nickel plated brass
Protection Class:	IP67 NEMA 4 rated

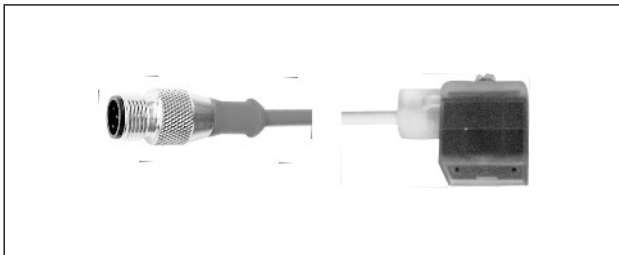
## Catalog Number

Part-No	Poles	Face View female/male	Color Code	Conductors		Outer Jacket	
				Guage	Stranding	φ mm	Material
R-MS5/3TZY052+ V-FAEDVY052	5		1 = - 2 = - 3 = blue 4 = brown 5 = green/yellow	0.50mm <sup>2</sup>	16x φ 0.20	5.5	PUR/PVC
R-MS5/3TZV552+ V-FAEDVV552			1 = brown 2 = blue ⊕ = green/yellow	0.50mm <sup>2</sup>	16x φ 0.20	5.0	PVC

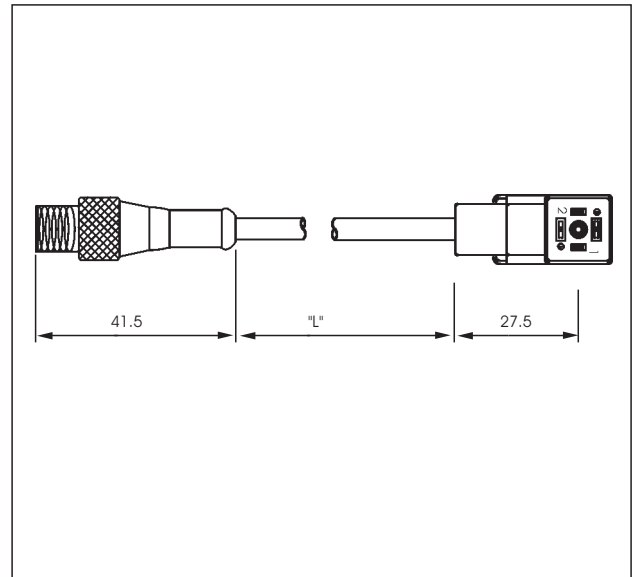
Standard length: 0.3m, 0.6m, 1.0m, 1.5m, 2.0m. other cable length or cable specifications on request.

# CABLE EXTENSIONS, IP68(M12 TO VALVE CONNECTOR)

## View



## Dimensional data



- Cable Extensions
- Euro-style (M12)
- Screw locking with (auto) securing safety nut/valve connector according to DIN 43650
- Construction type C, 8.0mm
- With built-in LED and varistor for voltage protection
- Connected protective earth

## Technical Data

Application Class: -20 °C to +80 °C  
 Nominal Power: 5A  
 Nominal Voltage: 24 VAC/DC  
 Securing Safety Nut: Nickel plated brass  
 Protection Class: IP67 NEMA 4 rated

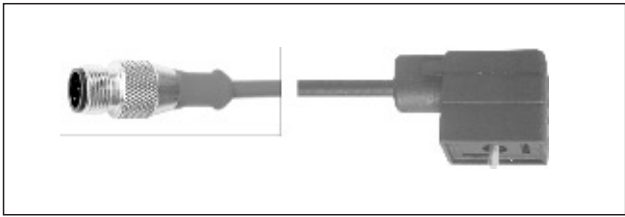
## Catalog Number

Part-No	Poles	Face View female/male	Color Code	Conductors		Outer Jacket	
				Guage	Stranding	φ mm	Material
R-MS5/3TZV052 + V-FANCVY052	5		1 = - 2 = - 3 = blue 4 = brown 5 = green/yellow	0.50mm <sup>2</sup>	16x φ 0.20	5.5	PUR/PVC
			1 = brown 2 = blue ⊕ = green/yellow				

Standard length: 0.3m, 0.6m, 1.0m, 1.5m, 2.0m. other cable length or cable specifications on request.

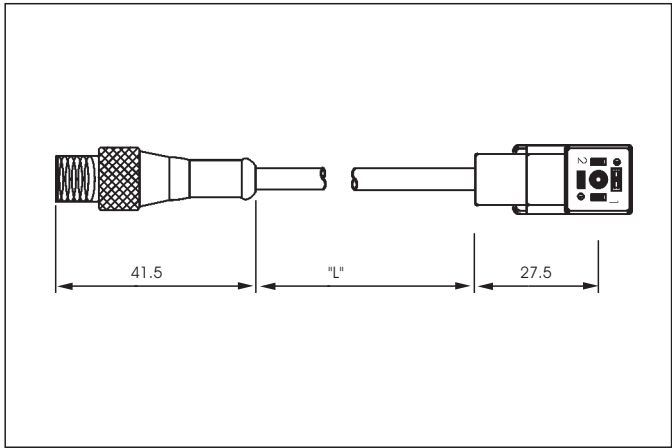
# CABLE EXTENSIONS, IP68 (M12 TO VALVE CONNECTOR)

## View



- Cable Extensions
- Euro-style (M12)
- Screw locking with (auto) securing safety nut/valve connector construction type
- Industry standard constriction (9.4mm) with built-in LED and varistor for voltage protection
- Protection connected protective earth

## Dimensional data



## Technical Data

Nominal Power:	3A
Nominal Voltage:	24 VAC/DC
Securing Safety Nut:	Nickel plated brass

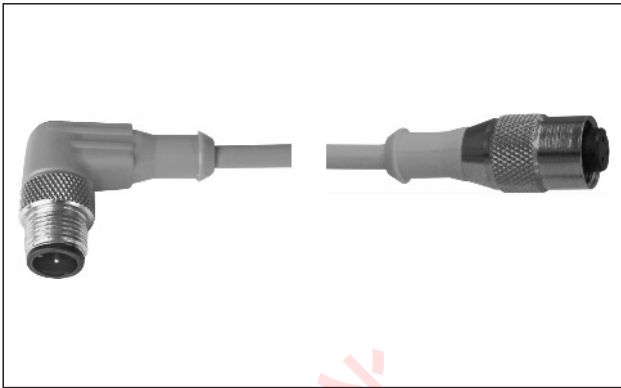
## Catalog Number

Part-No	Poles	Face View female/male	Color Code	Conductors		Outer Jacket	
				Guage	Stranding	φ mm	Material
R-MS5/3TZV052+ V-FANGVV552	5		1 = - 2 = - 3 = blue 4 = brown 5 = green/yellow	0.50mm <sup>2</sup>	16x φ 0.20	5.5	PVC
			1 = brown 2 = blue ⊕ = green/yellow				

Standard length: 0.3m, 0.6m, 1.0m, 1.5m, 2.0m. other cable length or cable specifications on request.

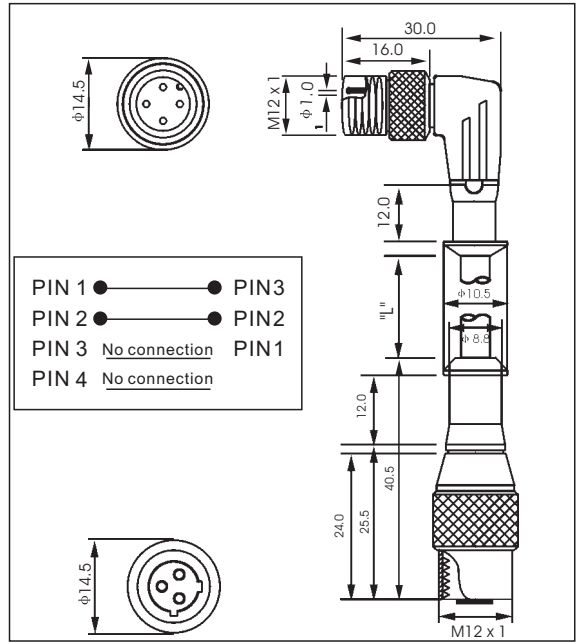
# EURO& MICRO-STYLE QUICK DISCONNECT RECEPTACLES

## View



- Euro, Right-angle - style
- Micro, straight - style
- With moulded cable
- Screw locking with (auto) securing safety nut

## Dimensional data



## Technical Data

Application Class: HNA acc. to DIN 40040  
 (-25 °C / +90 °C / ≤ 100%rF)

Moulded Body: PVC, self-extinguishing

Nominal Power: 4A

Nominal Voltage: 3+4poles, 250VAC/300VDC  
 5poles, 30VAC/36VDC

Contact: CuZn, pre-nickelated and  
 0.8 microns gold-plated

Body: TPU, self-extinguishing

Securing Safety Nut: Nickel plated brass

Protection: IP 68

Insulation Resistance: C acc. to VDE 0110

Test Voltage: 3+4poles, 2.0 KV eff./60s.  
 5poles, 1.5 KV eff./60s.

Insulation Resistance: > 10<sup>9</sup> Ω

## Catalog Number

Part-No	Poles	Face View male/female	Color Code	Conductors		Outer Jacket	
				Guage	Stranding	φ mm	Material
R-MA4/2TZY792 +U-FS3/2TAY792	4 + 3		1=brown 2=blue 3= - 4= -	0.34mm <sup>2</sup>	42 x φ 0.10	5.0	PUR/PVC
			1= - 2=brown 3=blue				

Standard length: 2.0 m, 5.0 m, 7.5 m, 10.0 m. Other cable length or cable specifications on request.

# MICRO SPLITTERS

## Multi-Connector

M-2 RMS4TZV8002  
 1 2 3

- 1 TYPE  
 M=Multi-connertor
- 2 Amount of cable
- 3 Cable (about its detail, please see SELECTION GUIDE OF QUICK DISCONNECT CABLES)

## MICRO SPLITTERS

U2 - R 5/4 Z - 38 05  
 1 2 3 4 5 6

- 1 TYPE  
 U1 = Micro Splitters with 1 input end  
 U2 = Micro Splitters with 2 input end
- 2 INPUT PORTS TYPE  
 R = Euro-style (R-series)                      RF = Euro-style and Female type  
 B = Euro-style (B-series)                      C = Pico-style  
 U = Micro-style                                      Z = Mini-style
- 3 NUMBER OF POLES PER PORT  
 3/3= 3 pole 3 wire AC dual key  
 4/3= 4 pole 3 wire  
 4/4= 4 pole 4 wire  
 5/3= 5 pole 3 wire  
 5/4= 5 pole 4 wire  
 5/5= 5 pole 5 wire
- 4 OUTPUT FUNCTION  
 L = Within LED                      Z = Without LED
- 5 INPUT END SHAPE  
 38 = Cable specification (Other cable specification on page J-1~page J-17)  
 C3 = Pico-style 3 poles connector  
 R5 = Euro-style 5 poles connector
- 6 CABLE LENGTH

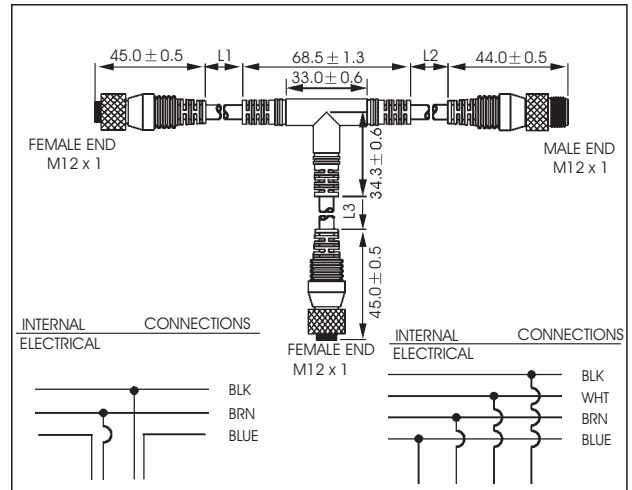
# CABLE EXTENSIONS, IP68(M12 TO M12)

## View



- Cable Extensions
- Euro-style(M12)
- Screw locking with (auto) securing safety nut
- Female euro-style (M12)
- Screw locking with (auto) securing safety nut

## Dimensional data



## Technical Data

Application Class: HNA acc.to DIN 40040  
 (-25 °C / +90 °C / <100%rF)

Body: TPU, self-extinguishing

Nominal Power: 4A

Nominal Voltage: 250VAC/300VDC

Locking Nut: Nickel plated brass

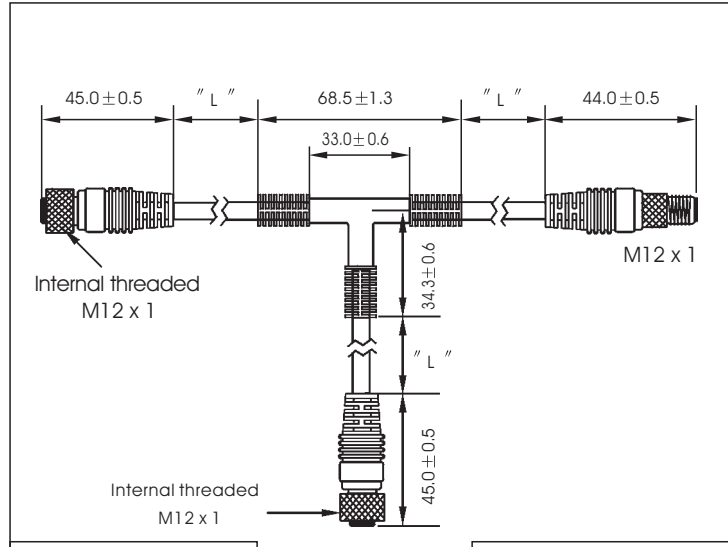
## Catalog Number

Part-No	Poles	Face View female/male	Color Code	Conductors		Outer Jacket	
				Guage	Stranding	φ mm	Material
M-2RMS3TZV1032+RFS4TPY1042	3		1=brown 2=white 3=blue 4=black	0.25mm <sup>2</sup>	32x φ 0.10	5.0	PVC
M-RMS3TZV1032+2RFS4/3TPY1032	3		1=brown 2= - 3=blue 4=black	0.34mm <sup>2</sup>	42x φ 0.10	5.0	PVC
M-RMS4TZV1042+2RFA4TPV1042P	4		1=brown 2=white 3=blue 4=black	0.50mm <sup>2</sup>	16x φ 0.20	5.0	PVC

Standard length: 0.3m, 0.6m, 1.0m, 1.5m, 2.0m. other cable length or cable specifications on request.

# CABLE EXTENSIONS, IP68 (M12 TO M12)

## View Dimensional data



- Cable Extensions
- Male Euro-style(M12)
- Screw locking with (auto) securing safety nut
- Female Euro-style (M12)
- Screw locking with (auto) securing safety nut



## Technical Data

Application Class:	HNA acc.to DIN 40040 (-25 °C /+90 °C /<100%rF)	Nominal Power:	4A
Body:	PVC, self-extinguishing	Nominal Voltage:	250VAC/300VDC
		Locking Nut:	Nickel plated brass

## Catalog Number

Part-No	Poles	Face View female/male	Color Code	Conductors		Outer Jacket	
				Guage	Stranding	φ mm	Material
M-2RFS4TZ+ RMS4TZV80xx-A	4		1=brown 2=white 3=blue 4=black	0.82mm <sup>2</sup>	16 x φ 0.25	6.2	PVC
M-2RFS4TZ+ RMS4TZV80xx-B			1=brown 2=white 3=blue 4=black				

Standard length: 0.3m, 0.6m, 1.0m, 1.5m, 2.0m. Other cable length or cable specifications on request.

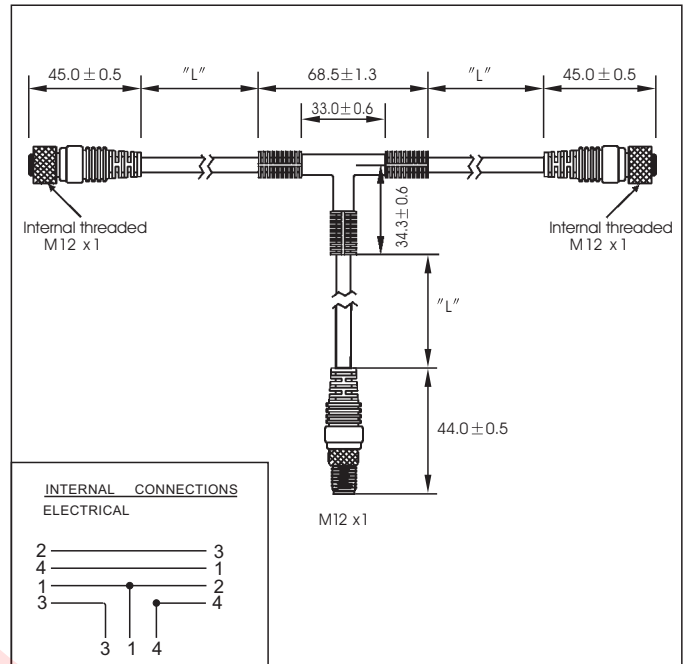
# CABLE EXTENSIONS, IP68(M12 TO M12)

## View



- Cable Extensions
- Male Euro-style(M12)
- Screw locking with (auto) securing safety nut
- Female Euro-style (M12)
- Screw locking with (auto) securing safety nut

## Dimensional data



## Technical Data

Application Class: HNA acc.to DIN 40040  
 (-25 °C / +90 °C / <100%rF)

Body: PVC, self-extinguishing

Nominal Power: 4A

Nominal Voltage: 250VAC/300VDC

Locking Nut: Nickel plated brass

## Catalog Number

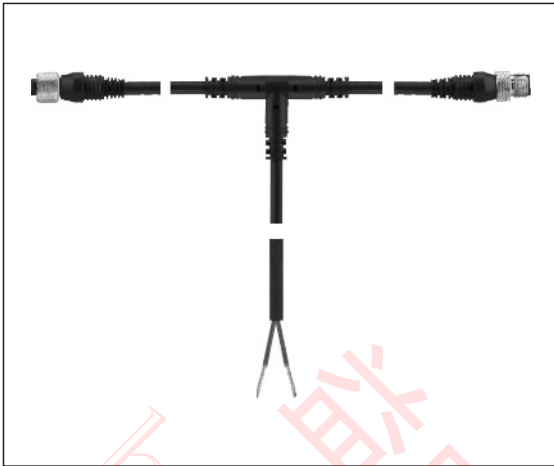
Part-No	Poles	Face View male/female	Color Code	Conductors		Outer Jacket	
				Guage	Stranding	φ mm	Material
M-2RFS4+ RMS3TZV80xx	4		1=brown 2=white 3=blue 4=black	0.82mm <sup>2</sup>	16 x φ 0.25	6.2	PVC

Standard length: 0.3m, 0.6m, 1.0m, 1.5m, 2.0m. Other cable length or cable specifications on request.



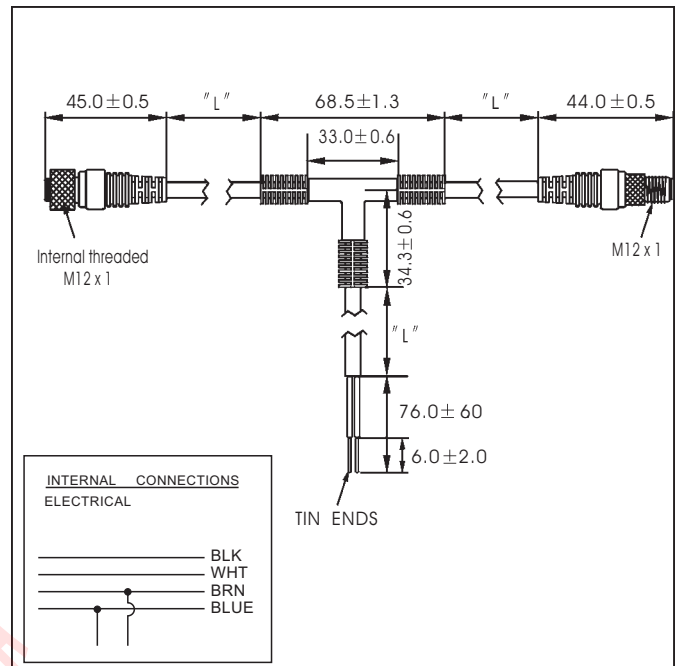
# CABLE EXTENSIONS, IP68(M12 TO M12)

## View



- Cable Extensions
- Male Euro-style(M12)
- Screw locking with (auto) securing safety nut
- Female euro-style (M12)
- Screw locking with (auto) securing safety nut

## Dimensional data



## Technical Data

Application Class: HNA acc.to DIN 40040  
 (-25°C / +90 °C / <100%rF)

Body: PVC, self-extinguishing

Nominal Power: 4A

Nominal Voltage: 250VAC/300VDC

Locking Nut: Nickel plated brass

## Catalog Number

Part-No	Poles	Face View male/female	Color Code	Conductors		Outer Jacket	
				Guage	Stranding	φ mm	Material
M - 3 R S 4 T Z V 8 0 X X	4		1=brown 2=white 3=blue 4=black	0.82mm <sup>2</sup>	16 x φ 0.25	6.2	PVC

Standard length: 0.3m, 0.6m, 1.0m, 1.5m, 2.0m. Other cable length or cable specifications on request.

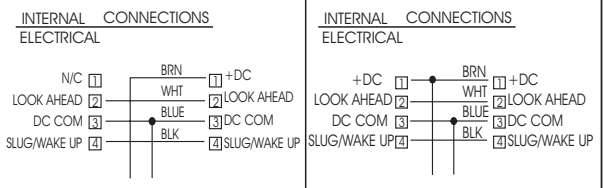
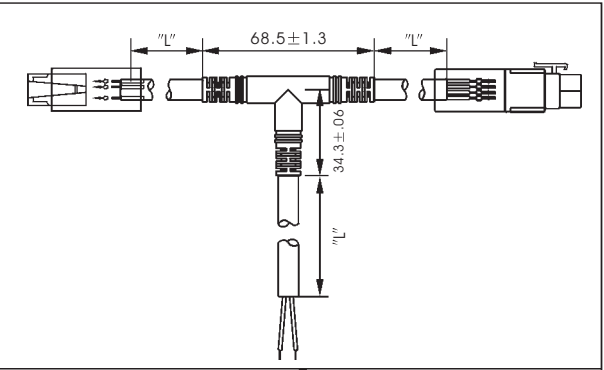
# CABLE EXTENSIONS, IP68(M12 TO M12)

## View



- Female euro-style (M12)
- Cable Extensions
- Screw locking with (auto) securing safety nut
- Euro-style(M12)

## Dimensional data



## Technical Data

Application Class: HNA acc.to DIN 40040  
 (-25 °C / +90 °C / <100%rF)  
 Body: PVC, self-extinguishing

Nominal Power: 4A  
 Nominal Voltage: 250VAC/300VDC  
 Locking Nut: Nickel plated brass

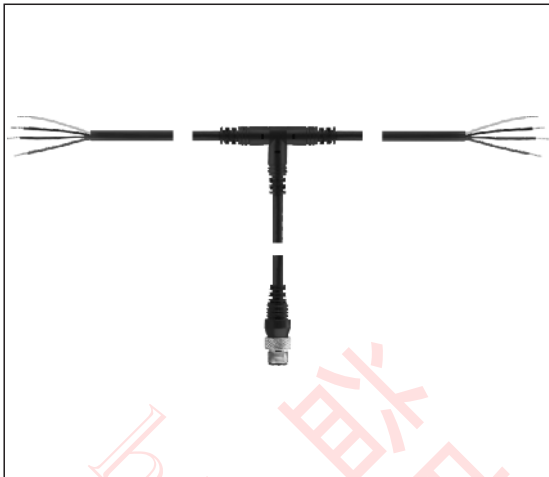
## Catalog Number

Part-No	Poles	Wire Entry View	Color Code	Conductors		Outer Jacket	
				Guage	Stranding	φ mm	Material
M-3RS4/3/2TZV83xx	4		1=brown 2=white 3=blue 4=black	1.3mm <sup>2</sup>	25 x φ 0.25	7.0	PVC
M-3RS4/2TZV83xx	4		1=brown 2=white 3=blue 4=black	1.3mm <sup>2</sup>	25 x φ 0.25	7.0	PVC

Standard length: 0.3m 0.6m 1.0m 1.5 m.2.0m. Other cable length or cable specifications on request.

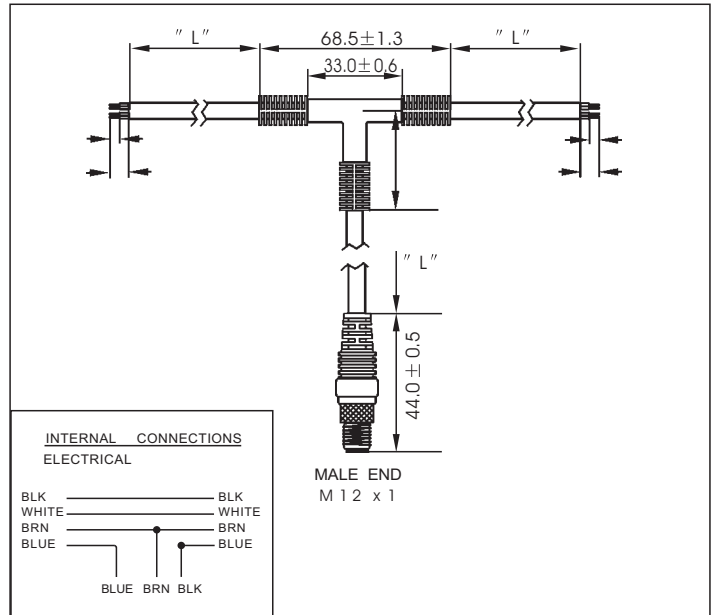
# CABLE EXTENSIONS, IP68 (M12 TO M12)

## View



- Cable Extensions
- Male euro-style (M12)
- Screw locking with (auto) securing safety nut

## Dimensional data



## Technical Data

Application Class: HNA acc.to DIN 40040  
(-25°C / + 90 °C / <100%rF)

Body: TPU, self-extinguishing

Nominal Power: 4 A

Nominal Voltage: 250VAC/300VDC

Locking Nut: Nickel plated brass

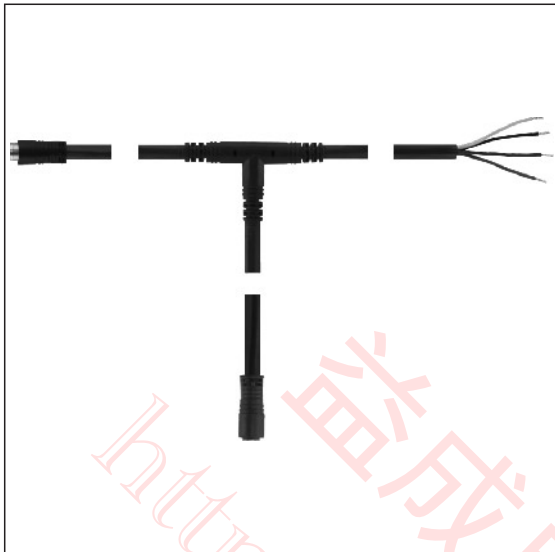
## Catalog Number

Part-No	Poles	Face View male	Color Code	Conductors		Outer Jacket	
				Guage	Stranding	φ mm	Material
M - RMS 4 / 3 T Z V 8 4 x x	4		1=brown 2= 3=blue 4=black	0.82mm <sup>2</sup>	16 x φ 0.25	6.2	PVC

Standard length: 0.3m, 0.6m, 1.0m, 1.5m, 2.0m. Other cable length or cable specifications on request.

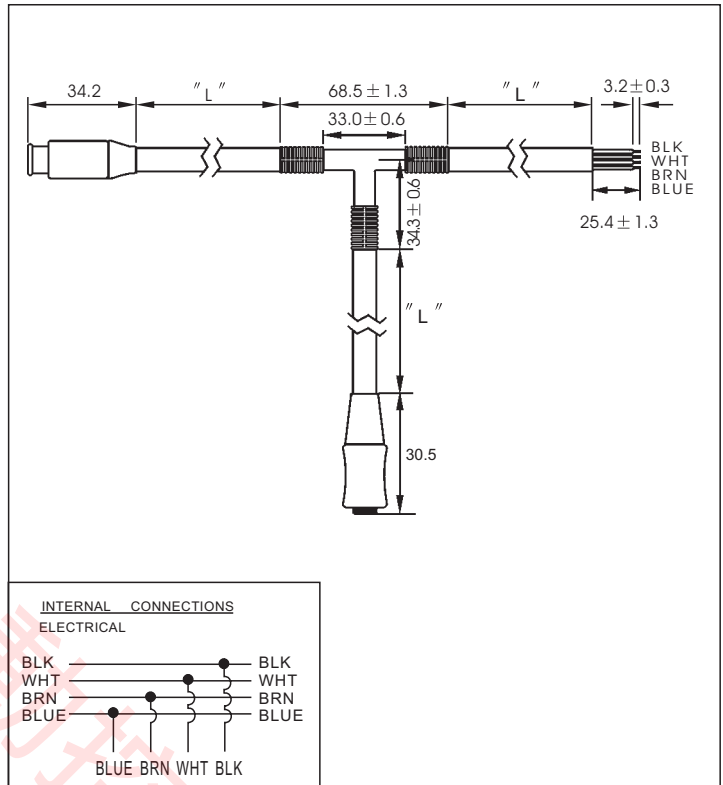
# CABLE EXTENSIONS, IP68 (M8 TO M8)

## View



- Pico-style(M8)
- Cable Extensions
- With moulded cable
- Snap-in and locking device

## Dimensional data



## Technical Data

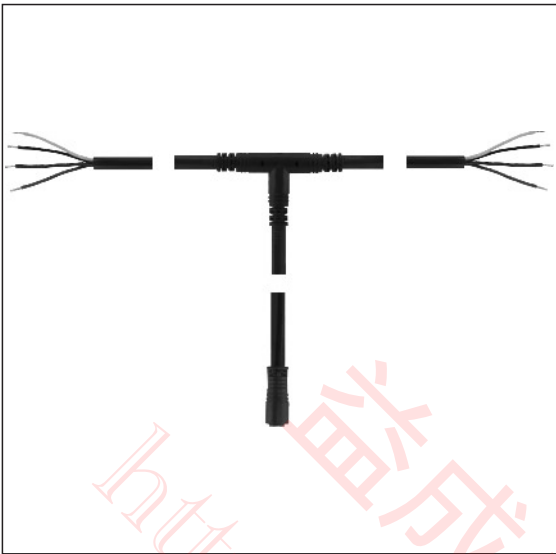
Application Class:	HNE acc.to DIN 40040 (-25°C / +90 °C / ≤ 75%rF)	Body:	TPU, self-extinguishing
Moulded Body:	TPU, self-extinguishing	O-Ring:	Viton
Nominal Power:	4A	Protection:	IP 68
Nominal Voltage:	60VAC/75VDC	Contact Resistance:	≤ 5m Ω
Contact:	CuZn, pre-nickel and 0.8microns gold-plated	Insulation Group:	C acc.to VDE 0110
		Test Voltage:	1.5 KV eff./ 60 s.
		Insulation Resistance:	>10 <sup>9</sup> Ω

## Catalog Number

Part-No	Poles	Face View male / female	Color Code	Conductors		Outer Jacket	
				Guage	Stranding	φ mm	Material
M-3CM/FS4NZV07xx	4		1=brown 2=white 3=blue 4=black	0.25mm <sup>2</sup>	32 x φ 0.10	5.0	PVC

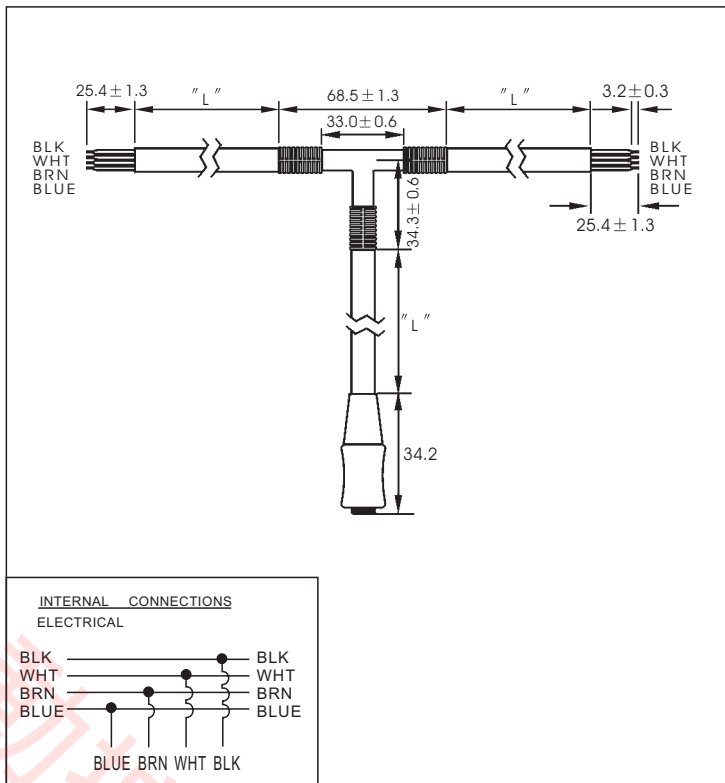
Standard length: 0.3m, 0.6m, 1.0m, 1.5m, 2.0m. Other cable length or cable specifications on request.

## View



- Female Pico-style(M8)
- Cable Extensions
- With moulded cable
- Snap-in and locking device

## Dimensional data



## Technical Data

Application Class:	HNE acc.to DIN 40040 (-25 °C / + 90 °C / ≤ 75%rF)	Body:	TPU, self-extinguishing
Moulded Body:	TPU, self-extinguishing	O-Ring:	Viton
Nominal Power:	4A	Protection:	IP 68
Nominal Voltage:	60VAC/75VDC	Contact Resistance:	≤ 5mΩ
Contact:	CuZn, pre-nickel and 0.8microns gold-plated	Insulation Group:	C acc.to VDE 0110
		Test Voltage:	1.5 KV eff./ 60 s.
		Insulation Resistance:	>10 <sup>9</sup> Ω

## Catalog Number

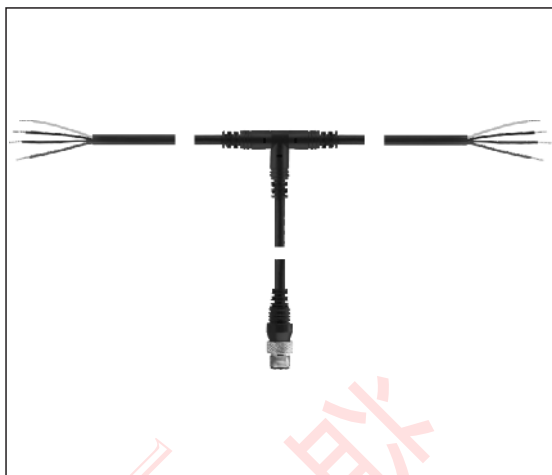
Part-No	Poles	Face View female	Color Code	Conductors		Outer Jacket	
				Guage	Stranding	φ mm	Material
M-3CFS4NZV07xx	4		1=brown 2=white 3=blue 4=black	0.25mm <sup>2</sup>	32 x φ 0.10	5.0	PVC

Standard length: 0.3m, 0.6m, 1.0m, 1.5m, 2.0m. Other cable length or cable specifications on request.

# CABLE EXTENSIONS, IP68 (M12 TO M12)

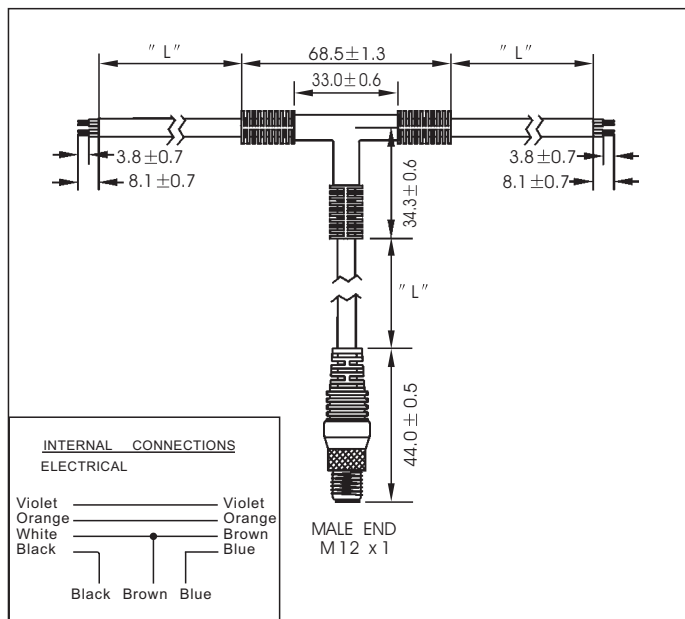
益成自动控制材料行 <https://www.enprotek.com>

## View



- Cable Extensions
- Male euro-style (M12)
- Screw locking with (auto) securing safety nut

## Dimensional data



## Technical Data

Application Class: HNA acc.to DIN 40040  
(-25°C/+90°C /<100%rF)

Body: PVC, self-extinguishing

Nominal Power: 4 A

Nominal Voltage: 250VAC/300VDC

Locking Nut: Nickel plated brass

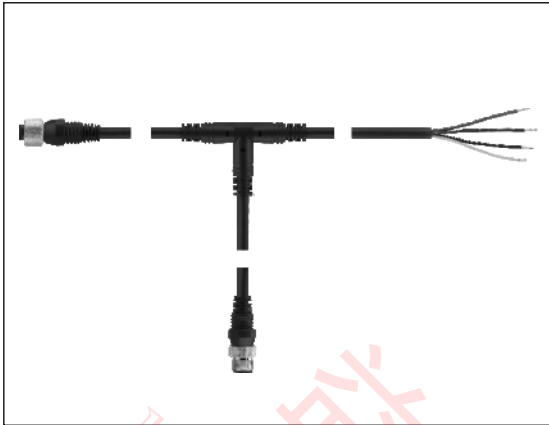
## Catalog Number

Part-No	Poles	Face View male	Color Code	Conductors		Outer Jacket	
				Guage	Stranding	φ mm	Material
M-RMS3TZV84xx	4		1=brown 3=blue 4=black	0.82mm <sup>2</sup>	16 x φ 0.25	6.2	PVC

Standard length: 0.3m, 0.6m, 1.0m, 1.5m, 2.0m. Other cable length or cable specifications on request.

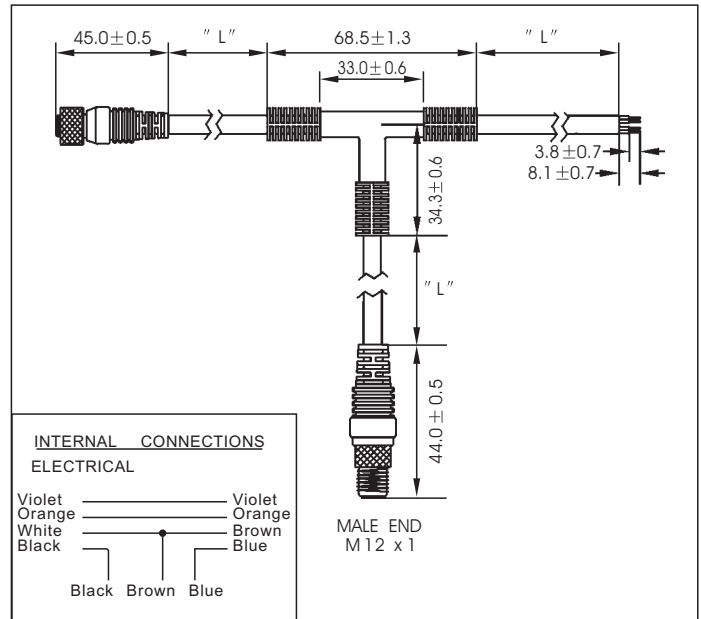
# CABLE EXTENSIONS, IP68 (M12 TO M12)

## View



- Cable Extensions
- Male euro-style (M12)
- Female euro-style (M12)
- Screw locking with (auto) securing safety nut

## Dimensional data



## Technical Data

Application Class: HNA acc.to DIN 40040  
 (-25°C/+90°C / <100%rF)

Body: PVC, self-extinguishing

Nominal Power: 4 A

Nominal Voltage: 250VAC/300VDC

Locking Nut: Nickel plated brass

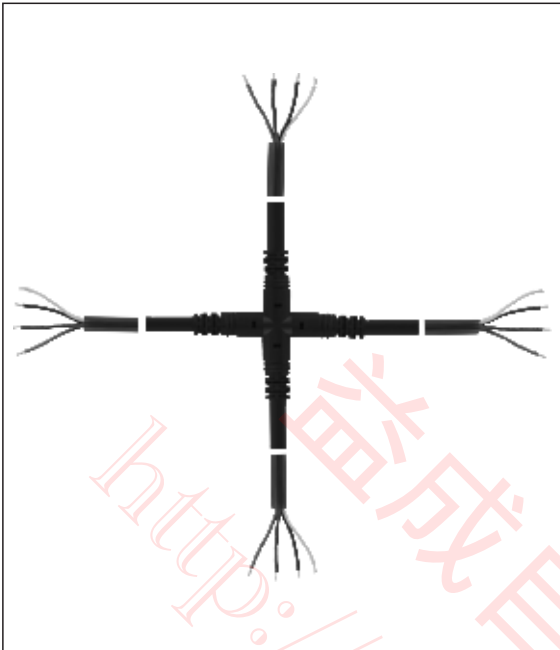
## Catalog Number

Part-No	Poles	Face View male/female	Color Code	Conductors		Outer Jacket	
				Guage	Stranding	φ mm	Material
M-RMS4/3TZV84xx +RFS4TZV85xx	4		1=violet 2=white 3=orange 4=black	0.82mm <sup>2</sup>	16 x φ 0.25	6.2	PVC
			1=brown 2= - 3=blue 4=black				

Standard length: 0.3m, 0.6m, 1.0m, 1.5m, 2.0m. Other cable length or cable specifications on request.

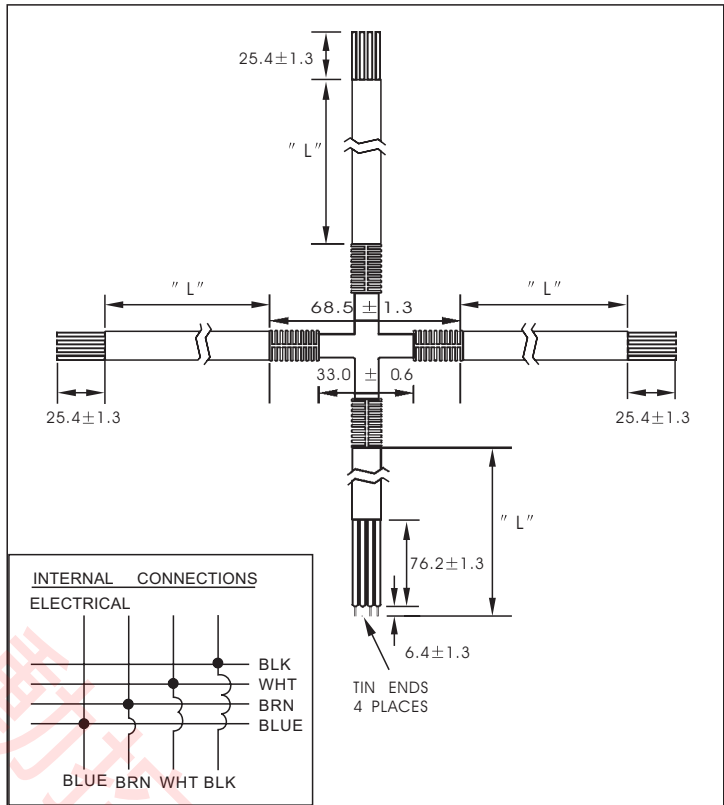
# CABLE EXTENSIONS, (M12 TO M12)

## View



- Cable Extensions
- M12 I Cable

## Dimensional data



## Technical Data

Application Class: HNA acc.to DIN 40040  
 (-25°C / +90°C / <100%rF)

Body: PVC, self-extinguishing

Nominal Power: 4A

Nominal Voltage: 250VAC/300VDC

Contact Resistance: <5m ohm

## Catalog Number

Part-No	Poles	Face View female/male	Color Code	Conductors		Outer Jacket	
				Guage	Stranding	φ mm	Material
M-4RA4/4TZV80xx	4	—	1=brown 2=white 3=blue 4=black	0.82mm <sup>2</sup>	16 x φ 0.25	6.2	PVC

Standard length: 0.3m, 0.6m, 1.0m, 1.5m, 2.0m. Other cable length or cable specifications on request.



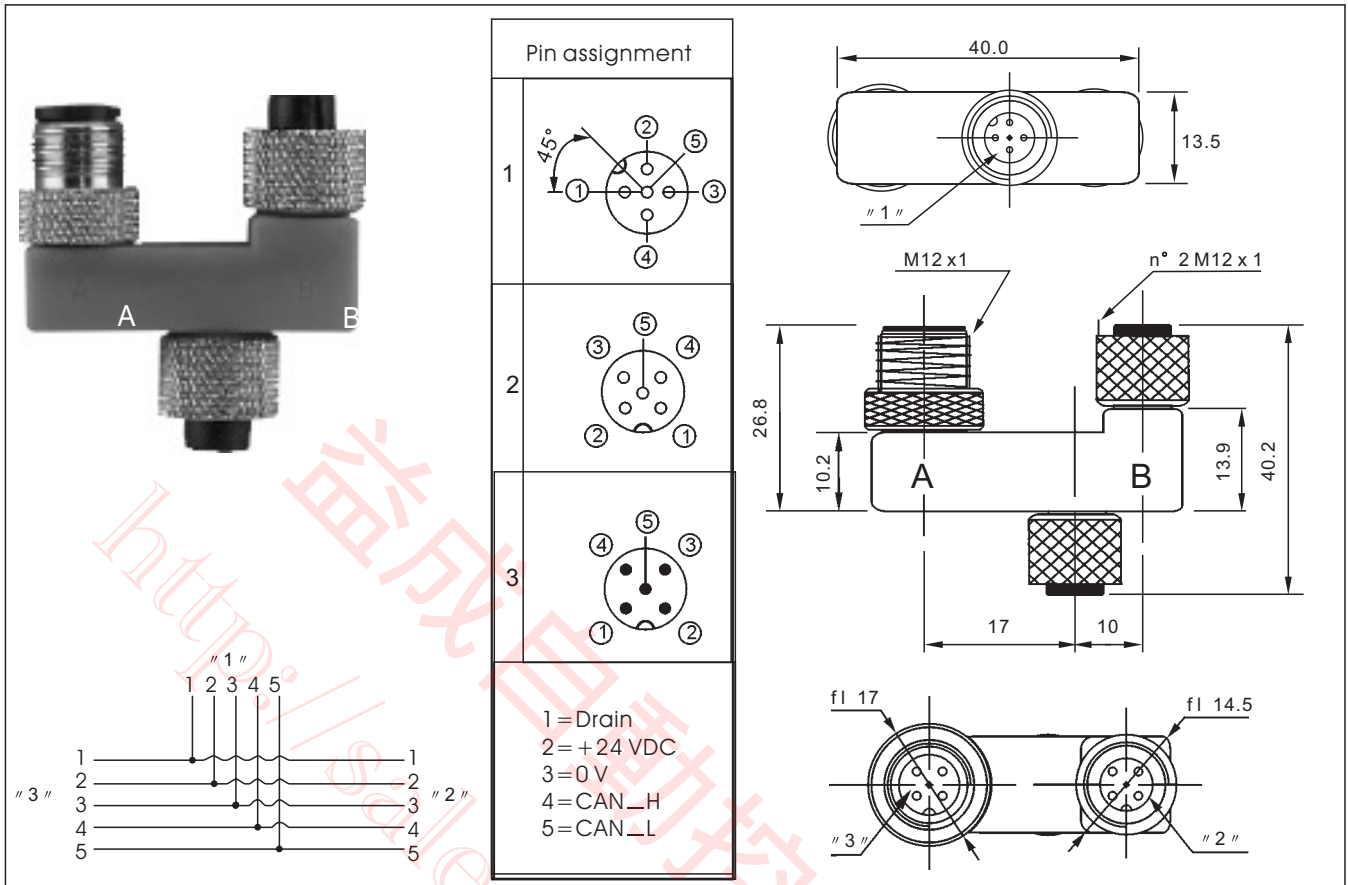
# HARD-SHELL CONNECTORS

**Description**  
Micro Splitters with Connectors for Use with Distribution Boxes

Technical Data			
1.Application Class:	-15 °C to +90 °C	Working Voltage:	10-30VDC
2.Materials:		Dielectric Withstanding Voltage:	2 kVAC RMS/60sec
Molded Body:	TPU,Orange	Insulation Resistance:	>10 <sup>9</sup> Ω
Contact:	Brass,gold over nickel plating	4.Mechanical Data:	
Insert:	TPU,black	Insertion Force (contact):	≤ 2.0N( .45LBS)
Coupling Nut:	Brass,nickel plated	Withdrawal Force (contact):	≥ 0.5N( .11LBS)
O-Ring:	Viton	Protection:	IP68
3.Electrical Data:		Shock:	IEC 68-2-27
Contact Resistance:	≤ 5mΩ	Vibration:	IEC 68-2-6
Current Rating:	3Amps		

Part Number	Face View of Male Plug	Face View of Female Plug	Description
U2-R5/3Z-C3			MS2 splitter with Pico connectors
U2-R5/4Z-R4			MS2 splitter with Euro connectors
U2-R5/5Z-R5			MS2 splitter with Euro connectors

# HARD-SHELL CONNECTORS



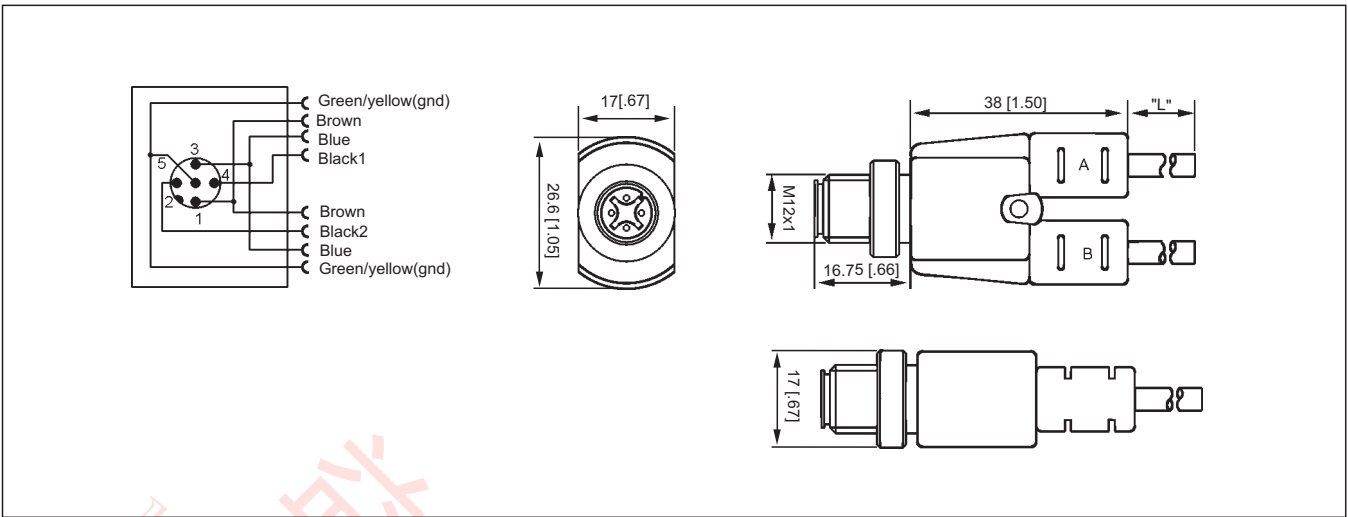
## Technical Data

1. Application Class:	-15°C to +90 °C	Working Voltage:	10-30VDC
2. Materials:		Dielectric Withstanding Voltage:	2 KVAC RMS/60sec
Molded Body:	TPU, Orange	Insulation Resistance:	>10 <sup>9</sup> Ω
Contact:	Brass, gold over nickel plating	4. Mechanical Data:	
Insert:	TPU, black	Insertion Force (contact):	≤ 2.0N( .45LBS)
Coupling Nut:	Brass, nickel plated	Withdrawal Force (contact):	≥ 0.5N( .11LBS)
O-Ring:	Viton	Protection:	IP68
3. Electrical Data:		Shock:	IEC 68-2-27
Contact Resistance:	≤ 5mΩ	Vibration:	IEC 68-2-6
Current Rating:	3Amps		

## Catalog Number

Part Number	Face View of Male Plug	Face View of Female Plug	Description
U2-RF5/5Z-R5+RF5			MS2 splitter with Euro connectors

# MICRO SPLITTERS



## Description

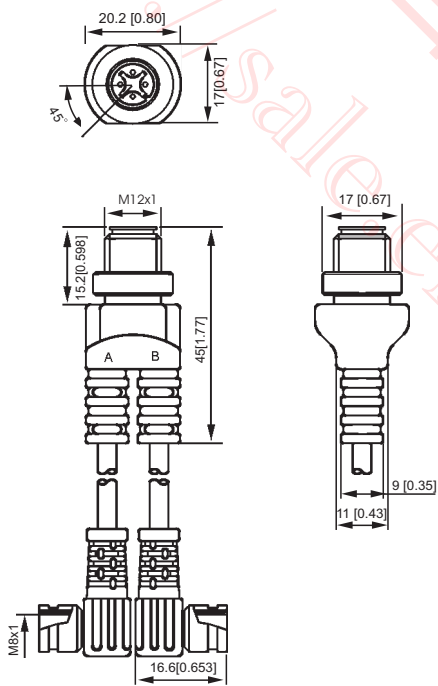
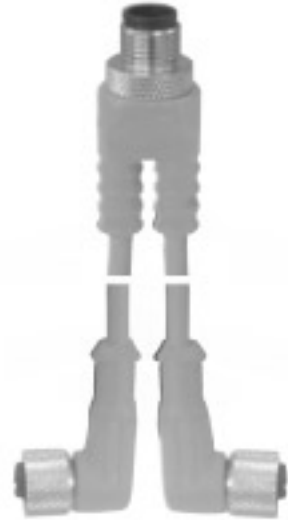
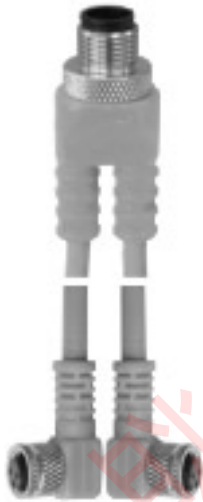
Micro Splitters with Cable for Use with Distribution Boxes

## Technical Data

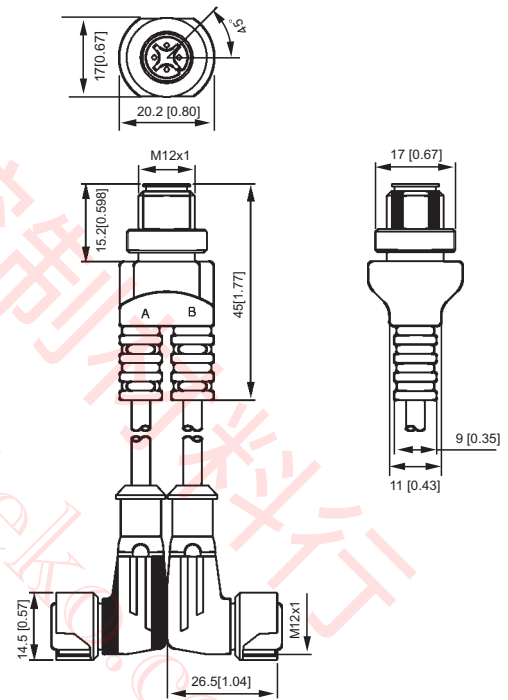
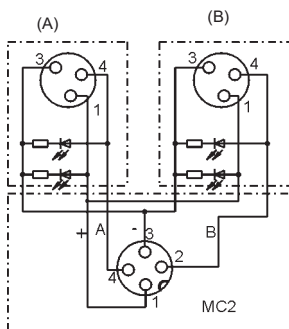
1.Application Class:	-25°C to +90°C	Working Voltage:	250VAC
2.Materials:		Dielectric Withstanding Voltage:	2 kVAC RMS/60sec
Molded Body:	PUR(Polyurethane),yellow	Insulation Resistance:	>10 <sup>9</sup> Ω
Contact:	CuZn, pre-nickeled and 0.8 microns gold-plated	4.Mechanical Data:	
Locking Nut:	Brass, nickel plated	Insertion Force (contact):	≤ 2.0N .45LBS
3.Electrical Data:		Withdrawal Force (contact):	≥ 0.5N .11LBS
Contact Resistance:	≤ 5m Ω	Protection:	IP68
Current Rating:	3Amps	Shock:	IEC 68-2-27

Part Number	Face View of male Plug	Color Code	Cable Type	
			Lead(mm <sup>2</sup> )	Outer Jacket
U1-R4/3Z-35XX		1= Brown (S4) 2= Black (2) (S4) 3= Blue (S2) 4= Black (1) (S2)	3x0.34(42xΦ0.10)	Φ5.0 PUR/PVC
U2-R5/4Z-17XX		1= Brown (S4) 2= Black (2) (S4) 3= Blue (S2) 4= Black (1) (S2) 5= Yellow/green	4x0.50(16xΦ0.20)	Φ5.0 PUR/PVC

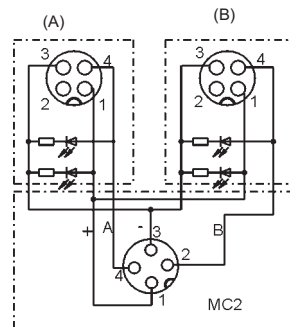
xx-Standard cables available in 5-meter(05),and 10-meter.Other cable length or cable specifications on request.



U2-R4C-FA3TPV062



U2-R4R-FS4KPV062



# MICRO SPLITTERS





## Description

Micro Splitters with two Pico or Micro Plugs, with or without LED's  
Used with Distribution Boxes

## Technical Data

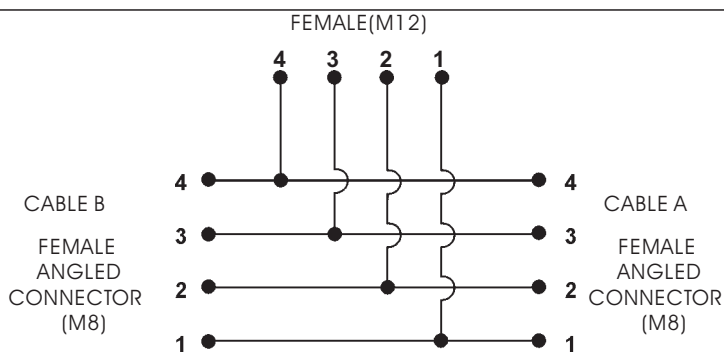
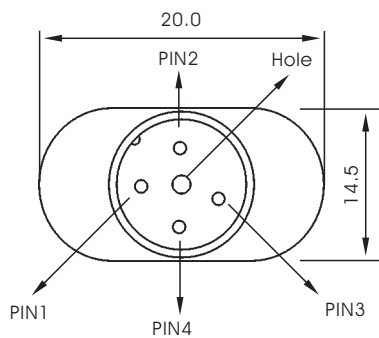
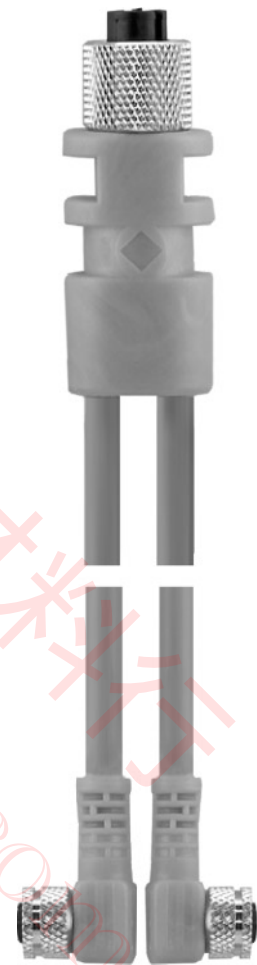
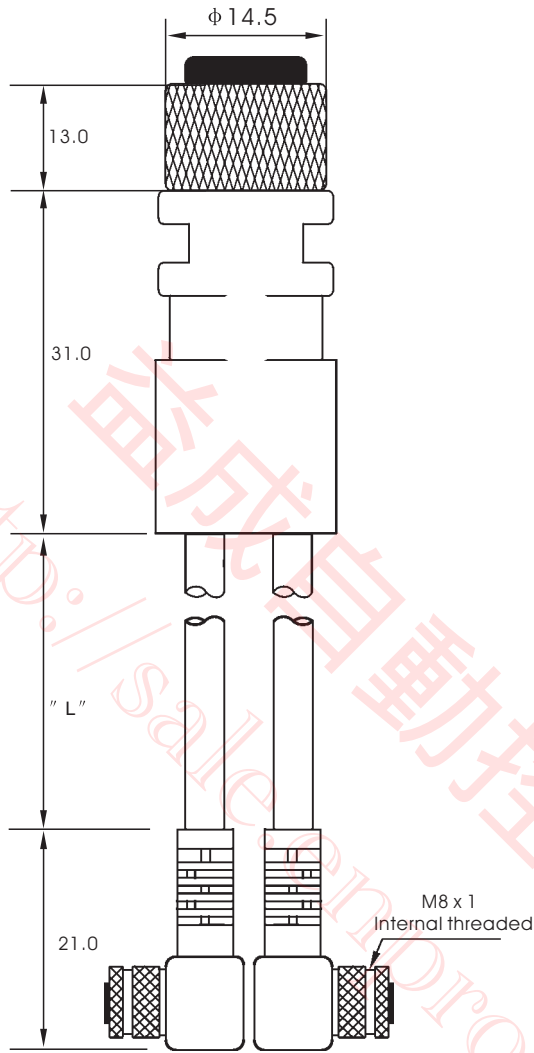
1.Application Class:	-25 °C to +90 °C	Dielectric Withstanding Voltage:	2 kVAC RMS/60sec
2.Materials:		Insulation Resistance:	>10 <sup>9</sup> Ω
Molded Body:	PUR(Polyurethane), Orange	4.Mechanical Data:	
Contact:	Brass, gold over nickel plating	Insertion Force (contact):	≤ 2.0N( .45LBS)
Insert:	PUR(Polyurethane), black	Withdrawal Force (contact):	≥ 0.5N( .11LBS)
Coupling Nut:	Brass, nickel plated	Protection:	IP68
O-Ring:	Viton	Shock:	IEC 68-2-27
3.Electrical Data:		Vibration:	IEC 68-2-6
Contact Resistance:	≤ 5m Ω		
Current Rating:	3Amps		
Working Voltage:	10-30VDC		

## Order Information

Part Number	Face View of Male Plug	Face View of Female Plug	Description
U2-R4C-FA3TPY042			Splitter with two Pico Plugs Right Angle with LED's (PNP)
U2-R4C-FA3TZY042			Splitter with two Pico Plugs Right Angle
U2-R4C-FS3TZY062			Splitter with two Pico Plugs Straight
U2-R4R-FS4KPV062			Splitter with two Euro Plugs Straight with LED's (PNP)
U2-R4R-FS4KZV062			Splitter with two Euro Plugs Straight
U2-R4R-FA4KPV062			Splitter with two Euro Plugs Right Angle with LED's (PNP)
U2-R4R-FA4KZV062			Splitter with two Euro Plugs Right Angle

# MICRO SPLITTERS

## View



# MICRO SPLITTERS

## Descriptions

Micro Splitters with two Pico without LED's  
Used with Distribution Boxes

## Technical Data

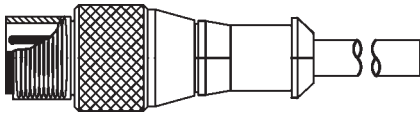
1.Application Class:	-25 °C to +90 °C	Dielectric Withstanding Voltage:	2 KVAC RMS/60sec
2.Materials:		Insulation Resistance:	>10 <sup>9</sup> Ω
Molded Body:	PUR Or PVC, Orange	4.Mechanical Data:	
Contact:	Brass, gold over nickel plating	Insertion Force (contact):	≤ 2.0N( .45LBS)
Insert:	PUR(Polyurethane),black	Withdrawal Force (contact):	≥ 0.5N( .11LBS)
Coupling Nut:	Brass,nickel plated	Protection:	IP68
O-Ring:	Viton	Shock:	IEC 68-2-27
3.Electrical Data:		Vibration:	IEC 68-2-6
Contact Resistance:	≤ 5m Ω		
Current Rating	3Amps		
Working Voltage:	10-30VDC		

## Order Information

Part Number	Face View of M12 Female Plug	Face View of M8 Female Plug	Descriptions
U2-RF4C-FA4TZV060.5			Splitter with two Pico Plugs Right Angle

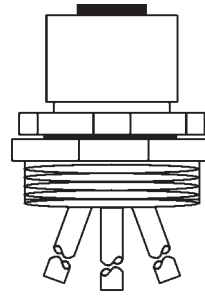
Standard length: 0.5m, 0.70 m, 1.0 m, 2.0 m. Other cable length or cable specifications on request.

# EURO-STYLE INDEX



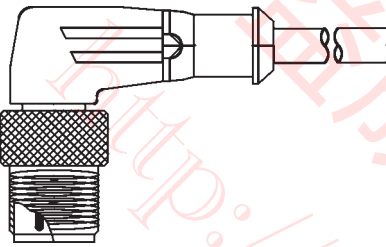
Page:D-02

Euro-style/Male/Straight



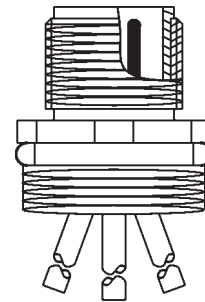
Page:D-06

Euro-style/Female/Straight



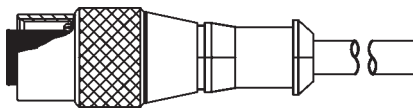
Page:D-03

Euro-style/Male/Right Angle



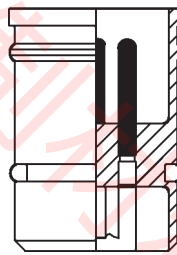
Page:D-07

Euro-style/Male/Straight



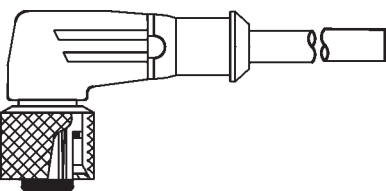
Page:D-04

Euro-style/Female/Straight



Page:D-08

Euro-style/Male/Straight



Page:D-05

Euro-style/Female/Right Angle



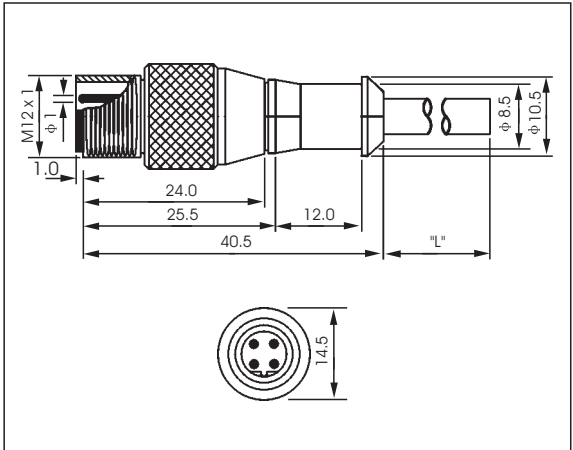
# EURO-STYLE QUICK DISCONNECT CABLES

## View



- B-type screw locking with(auto) securing safety nut
- With moulded cable
- PVC offers good resistance to oils and chemicals

## Dimensional data



## Technical Data

Application Class: HNA acc. to DIN 40040 (-25 °C / +110 °C / ≤ 75%rF)	Body: TPU, self-extinguishing
Moulded Body: TPU, self-extinguishing	Securing Safety Nut: CuZn, brass, nicked
Nominal Power: 4A	Protection: IP 67
Nominal Voltage: 250VAC/300VDC	Insulation Group: C acc.to VDE 0110
Contact: CuZn, pre-nickel and 0.8 microns gold-plated	Test Voltage: 2.0 KV eff./60s.
	Insulation Resistance: >10 <sup>9</sup> Ω
	CSA certified: 219967

## Catalog Number

Part-No	Poles	Face View male	Color Code	Conductors		Outer Jacket	
				Guage	Stranding	φ mm	Material
B-MS4/3TZV262	4		1=black 2=blue 3=- 4=green/yellow (GND)	0.34mm <sup>2</sup>	42 x φ0.10	5.0	PVC
B-MS4/3TZV272/B	4		1=brown 2=blue 3=- 4=green/yellow	0.34mm <sup>2</sup>	42 x φ0.10	5.0	PVC
B-MS4TZV282	4		1=brown 2=blue 3=black 4=green/yellow	0.34mm <sup>2</sup>	42 x φ0.10	5.5	PVC
B-MS5TZV292	5		1=brown 2=white 3=blue 4=black 5=green/yellow	0.34mm <sup>2</sup>	42 x φ0.10	6.0	PVC

Standard length: 2.0 m, 5.0 m, 7.5 m, 10.0 m. Other cable length or cable specifications on request.

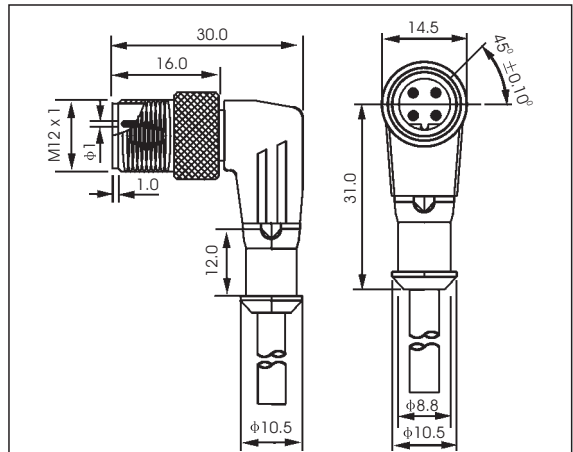
# EURO-STYLE QUICK DISCONNECT CABLES

## View



- B-type screw locking with (auto) securing safety nut
- With moulded cable
- PVC offers good resistance to oils and chemicals

## Dimensional data



## Technical Data

Application Class: HNA acc. to DIN 40040 (-25 °C / +90 °C / ≤ 100%rF)	Body: TPU, self-extinguishing
Moulded Body: TPU, self-extinguishing	Securing Safety Nut: CuZn, brass, nicked
Nominal Power: 4A	Protection: IP 67
Nominal Voltage: 250VAC/300VDC	Insulation Group: C acc.to VDE 0110
Contact: CuZn, pre-nickel and 0.8 microns gold-plated	Test Voltage: 2.0 KV eff./60s.
	Insulation Resistance: >10 <sup>9</sup> Ω
	CSA certified: 219967

## Catalog Number

Part-No	Poles	Face View male	Color Code	Conductors		Outer Jacket	
				Guage	Stranding	φ mm	Material
B-MA4/3TZV262	4		1=black 2=blue 3=- 4=yellow/green (GND)	0.34mm <sup>2</sup>	42 x φ 0.10	5.0	PVC
B-MA4/3TZV272/B	4		1=brown 2=blue 3=- 4=green/yellow	0.34mm <sup>2</sup>	42 x φ 0.10	5.0	PVC
B-MA4TZV282	4		1=brown 2=blue 3=black 4=green/yellow	0.34mm <sup>2</sup>	42 x φ 0.10	5.5	PVC
B-MA5TZV292	5		1=brown 2=white 3=blue 4=black 5=green/yellow	0.34mm <sup>2</sup>	42 x φ 0.10	6.0	PVC

Standard length: 2.0 m, 5.0 m, 7.5 m, 10.0 m. Other cable length or cable specifications on request.

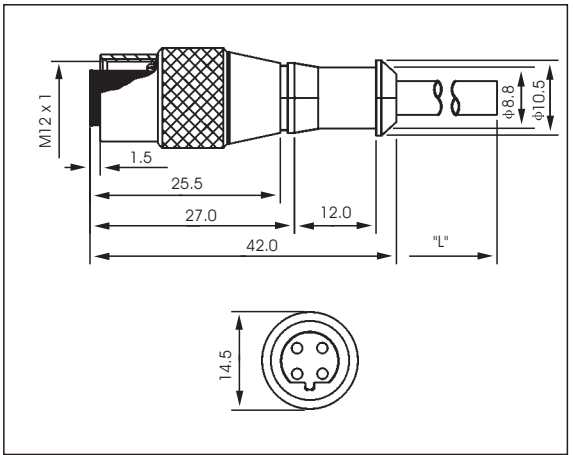
# EURO-STYLE QUICK DISCONNECT CABLES

## View



- Female B-type screw locking with (auto) securing safety nut
- With moulded cable
- PVC offers good resistance to oils and chemicals

## Dimensional data



## Technical Data

Application Class:	HNA acc. to DIN 40040 (-25 °C / +90 °C / ≤ 100%rF)	Body:	TPU, self-extinguishing
Moulded Body:	TPU, self-extinguishing	Securing Safety Nut:	CuZn, brass, nicked
Nominal Power:	4A	O-Ring:	Viton
Nominal Voltage:	250VAC/300VDC	Protection:	IP 67
Contact:	CuZn, pre-nickel and 0.8 microns gold-plated	Insulation Group:	C acc.to VDE 0110
		Test Voltage:	2.0 KV eff./60s.
		Insulation Resistance:	> 10 <sup>9</sup> Ω
		Contact Resistance:	≤ 5 mΩ
		CSA certified:	219967

## Catalog Number

Part-No	Poles	Face View female	Color Code	Conductors		Outer Jacket	
				Guage	Stranding	φ mm	Material
B-FS4/3TZV262	4	blind 	1=black 2=blue 3=- 4=yellow/green (GND)	0.34mm <sup>2</sup>	42xφ0.10	5.0	PVC
B-FS4/3TZV272/B	4	blind 	1=brown 2=blue 3=- 4=green/yellow	0.34mm <sup>2</sup>	42xφ0.10	5.0	PVC
B-FS4TZV282	4		1=brown 2=blue 3=black 4=green/yellow	0.34mm <sup>2</sup>	42xφ0.10	5.5	PVC
B-FS5TZV292	5		1=brown 2=white 3=blue 4=black 5=green/yellow (GND)	0.34mm <sup>2</sup>	42xφ0.10	6.0	PVC

Standard length: 2.0 m, 5.0 m, 7.5 m, 10.0 m. Other cable length or cable specifications on request.

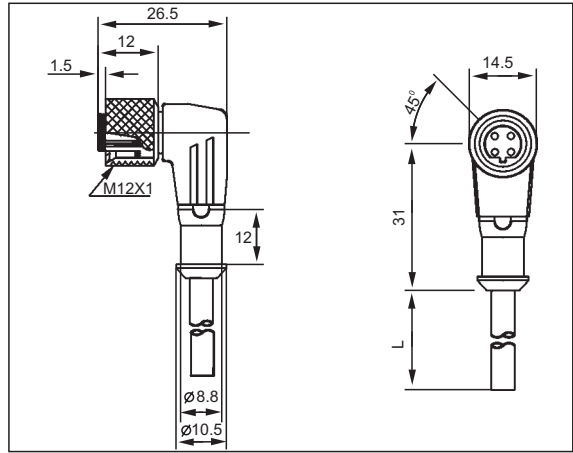
# EURO-STYLE QUICK DISCONNECT CABLES

## View



- Female B-type Screw locking with (auto) securing safety nut,
- With moulded cable
- PVC offers good resistance to oils and chemicals

## Dimensional data



## Technical Data

Application Class: HNA acc. to DIN 40040  
(-25 °C / +90 °C / ≤ 100%rF)

Moulded Body: TPU, self-extinguishing

Nominal Power: 4A

Nominal Voltage: 250VAC/300VDC

Contact: CuZn, pre-nickel and 0.8 microns gold-plated

Body: TPU, self-extinguishing  
 Securing Safety Nut: CuZn, brass, nicked  
 O-Ring: Viton  
 Protection: IP 67  
 Insulation Group: C acc.to VDE 0110  
 Test Voltage: 2.0 KV eff./60s.  
 Insulation Resistance: > 10<sup>9</sup> Ω  
 Contact Resistance: ≤ 5 m Ω  
 CSA certified: 219967

## Catalog Number

Part-No	Poles	Face View female	Color Code	Conductors		Outer Jacket	
				Guage	Stranding	φ mm	Material
B-FA4/3TZV262	4	blind 	1=black 2=blue 3= - 4=yellow/green (GND)	0.34mm <sup>2</sup>	42 x φ0.10	5.0	PVC
B-FA4/3TZV272/B	4	blind 	1=brown 2=blue 3= - 4=green/yellow	0.34mm <sup>2</sup>	42 x φ0.10	5.0	PVC
B-FA4TZV282	4		1=brown 2=blue 3=black 4=green/yellow	0.34mm <sup>2</sup>	42 x φ0.10	5.5	PVC
B-FA5TZV292	5		1=brown 2=white 3=blue 4=black 5=green/yellow (GND)	0.34mm <sup>2</sup>	42 x φ0.10	6.0	PVC

Standard length: 2.0 m, 5.0 m, 7.5 m, 10.0 m. Other cable length or cable specifications on request.

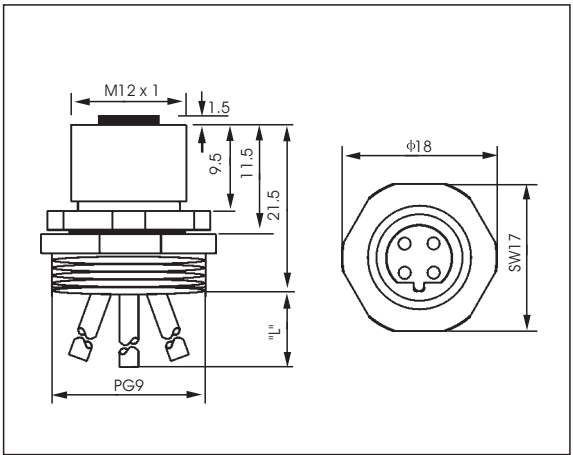
# EURO-STYLE QUICK DISCONNECT CABLES

## View



- Female B-type receptacle
- Front mounting, wire ends, thread chassis side PG9
- Back mounting with nut RMF9(see page C-34)
- Solder contacts potted with epoxy

## Dimensional data



## Technical Data

Application Class: HNA acc. to DIN 40040

(-25 °C / +90 °C / ≤ 100%rF)

Moulded Body: TPU, self-extinguishing

Nominal Power: 4A

Nominal Voltage: 250VAC/300VDC

Contact: CuZn, pre-nickel and 0.8 microns gold-plated

Body: TPU, self-extinguishing

Receptacle Housing: CuZn, brass, nickel

O-Ring: Viton

Protection: IP 67

Insulation Group: C acc. to VDE 0110

Test Voltage: 2.0 KV eff./60s.

Insulation Resistance: > 10<sup>9</sup> Ω

Contact Resistance: ≤ 5 m Ω

CSA certified: 219967

## Catalog Number

Part-No	Poles	Face View female	Color Code	Conductors		Conductor insulation φ mm(single)
				Guage	Stranding	
B-FS4/3FZ/0.5/PG9/B	4	blind 	1=brow 2=blue 3=- 4=green/yellow	0.34mm <sup>2</sup>	42x φ 0.10	1.6
				0.50mm <sup>2</sup>	16x φ 0.20	1.8
B-FS4/3FZ/0.5/PG9	4	blind 	1=black 2=blue 3=- 4=yellow/green (GND)	0.34mm <sup>2</sup>	42x φ 0.10	1.6
				0.50mm <sup>2</sup>	16x φ 0.20	1.8
B-FS4FZ/0.5/PG9	4		1=brow 2=blue 3=black 4=green/yellow	0.34mm <sup>2</sup>	42x φ 0.10	1.6
				0.50mm <sup>2</sup>	16x φ 0.20	1.8
B-FS5FZ/0.5/PG9	5		1=brown 2=white 3=blue 4=black 5=green/yellow (GND)	0.34mm <sup>2</sup>	42x φ 0.10	1.6
				0.50mm <sup>2</sup>	16x φ 0.20	1.8

Standard length: 0.5m. Other cable length or cable specifications on request.

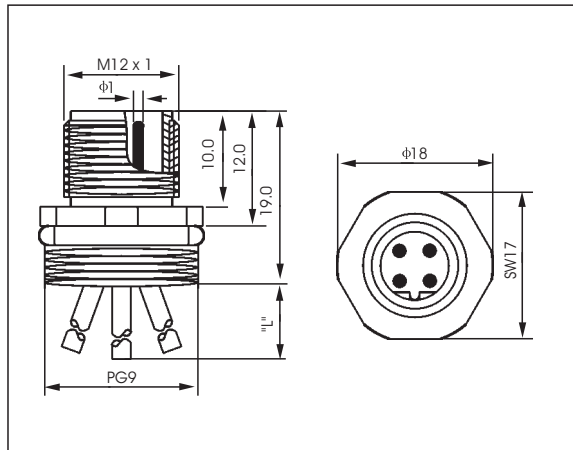
# EURO-STYLE QUICK DISCONNECT CABLES

## View



- Male B-type receptacle
- Front mounting, wire ends, thread chassis side PG9
- Back mounting with nut RMF9(see page C-34)
- Solder contacts potted with epoxy

## Dimensional data



## Technical Data

Application Class:	HNA acc. to DIN 40040 (-25 °C / +90 °C / ≤ 100%rF)	Receptacle Housing:	CuZn, brass, nickeled
Moulded Body:	TPU, self-extinguishing	O-Ring:	Viton
Nominal Power:	4A	Protection:	IP 67
Nominal Voltage:	250VAC/300VDC	Insulation Group:	C acc.to VDE 0110
Contact:	CuZn, pre-nickel and 0.8 microns gold-plated	Test Voltage:	2.0 KV eff./60s.
Body:	TPU, self-extinguishing	Insulation Resistance:	> 10 <sup>9</sup> Ω
		CSA certified:	219967

## Catalog Number

Part-No	Poles	Face View male	Color Code	Conductors		Conductor insulation φ mm(single)
				Guage	Stranding	
B-MS4/3FZ/0.5/PG9	4		1=black 2=blue 3=- 4=yellow/green (GND)	0.34mm <sup>2</sup>	42x φ 0.10	1.6
				0.50mm <sup>2</sup>	16x φ 0.20	1.8
B-MS4FZ/0.5/PG9	4		1=brown 2=blue 3=black 4=green/yellow	0.34mm <sup>2</sup>	42x φ 0.10	1.6
				0.50mm <sup>2</sup>	16x φ 0.20	1.8
B-MS5FZ/0.5/PG9	5		1=brown 2=white 3=blue 4=black 5=green/yellow (GND)	0.34mm <sup>2</sup>	42x φ 0.10	1.6
				0.50mm <sup>2</sup>	16x φ 0.20	1.8

Standard length: 0.5m. Other cable lengths or cable specification on request.

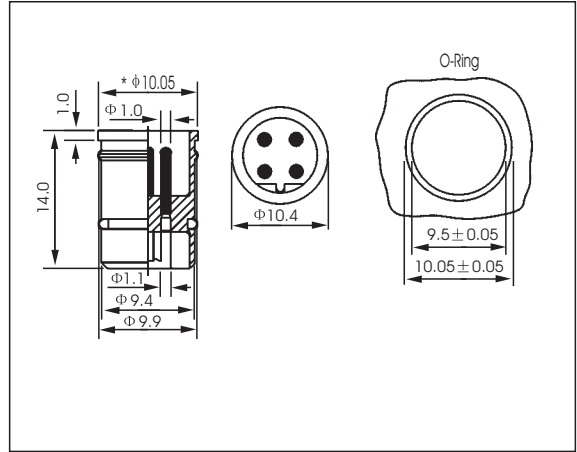
# EURO-STYLE QUICK DISCONNECT RECEPTACLES

## View



- B-type plug insert for proximity switch M12,
- "S" larger shaft diameter "L" with ventilation hole

## Dimensional data



## Technical Data

Application Class: HNA acc. to DIN 40040  
(-25 °C / +110 °C / ≤ 75%rF)

Moulded Body: PA, self-extinguishing

Nominal Voltage: 60VAC/75VDC  
250VAC/300VDC (Solder Contacts potted with epoxy)

Contact: CuZn, pre-nickled and 0.8 microns gold-plated

Nominal Power: 4A

Mode of Connection: Solder types

O-Ring: Viton

Max. Wire Section: Single conductor 0.75mm<sup>2</sup>  
Stranded wire 0.50mm<sup>2</sup>

Test Voltage: 2.0 KV eff./60s.

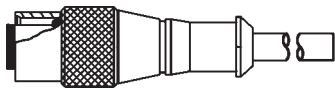
Insulation Resistance: > 10<sup>9</sup> Ω

CSA certified: 219967

## Catalog Number

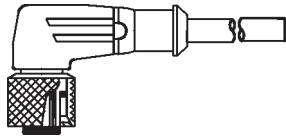
Part-No	Poles	Face View male	Shaft- φ mm	Ventilation hole φ mm
B-MS4	4		9.55mm/9.4mm	—
B-MS4S			10.05mm/9.9mm	—
B-MS4L			9.55mm/9.4mm	2.0mm
B-MS5	5		9.55mm/9.4mm	—
B-MS5S			10.05mm/9.9mm	—

# EURO-STYLE INDEX



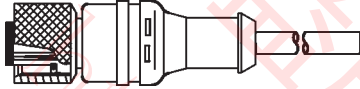
Page:C-03

Euro-style/Female/Straight



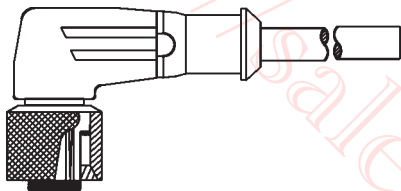
Page:C-04

Euro-style/Female/Right Angle



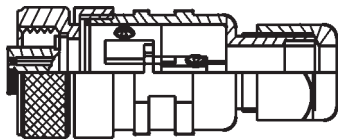
Page:C-05

Euro-style/Female/Straight/With LED



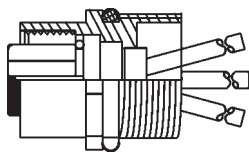
Page:C-06

Euro-style/Female/Right Angle



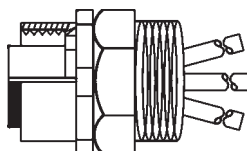
Page:C-08

Euro-style/Female/Straight



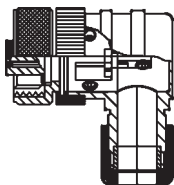
Page:C-09

Euro-style/Female/Straight



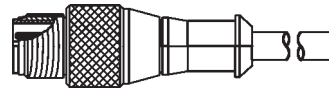
Page:C-10

Euro-style/Female/Straight



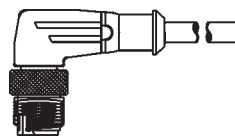
Page:C-11

Euro-style/Female/Right Angle



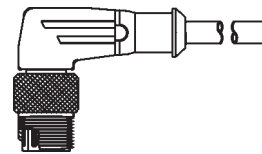
Page:C-12

Euro-style/Male/Straight



Page:C-13

Euro-style/Male/Right Angle



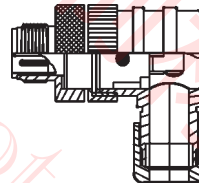
Page:C-14

Euro-style/Male/Right Angle/with LED



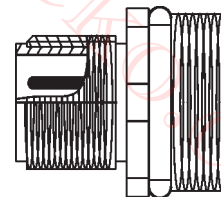
Page:C-15

Euro-style/Male/Straight



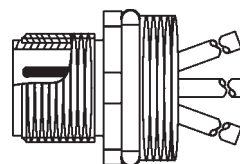
Page:C-16

Euro-style/Male/Right Angle



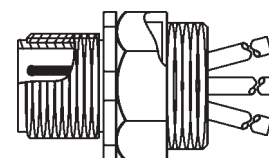
Page:C-17

Euro-style/Male/Straight



Page:C-18

Euro-style/Male/Straight

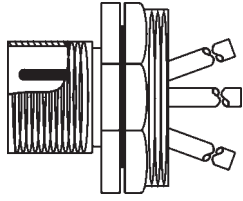


Page:C-19

Euro-style/Male/With Positionable Insert

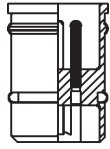


# EURO-STYLE INDEX



Page:C-20

Euro-style/Male/Straight/With Nut PG..



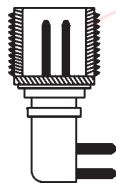
Page:C-21

Euro-style/Male/Straight



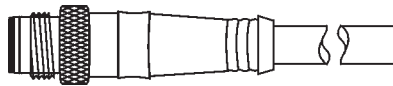
Page:C-22

Euro-style/Male/Straight



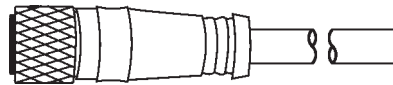
Page:C-23

Euro-style/Male/Right Angle



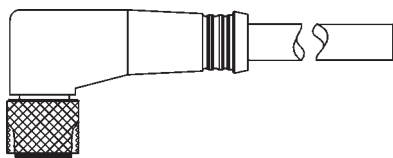
Page:C-24

Euro-style/Male/Straight



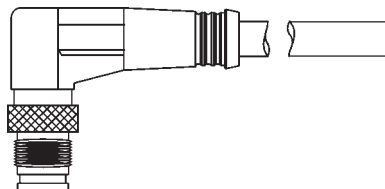
Page:C-25

Euro-style/Female/Straight



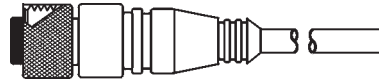
Page:C-26

Euro-style/Female/Right Angle



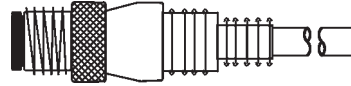
Page:C-27

Euro-style/Male/Right Angle



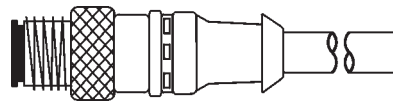
Page:C-28

Euro-style/Female/Straight



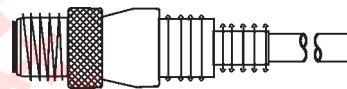
Page:C-29

Euro-style/Male/Straight



Page:C-30

Euro-style/Male/Straight/With LED



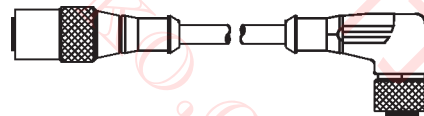
Page:C-31

Euro-style/Male/Straight



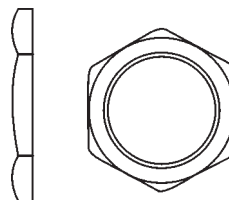
Page:C-32

Euro-style/Male And Female/Straight



Page:C-33

Euro-style/Male And Female/  
Straight And Right Angle



Page:C-34

Fixing nut

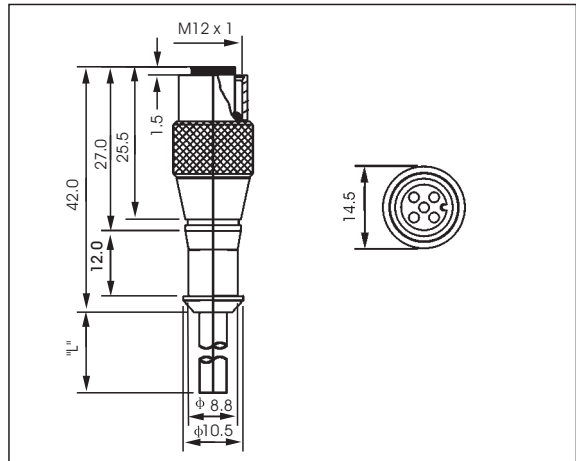
# EURO-STYLE QUICK DISCONNECT CABLES

## View



- Female Euro-style
- Screw locking with (auto) securing safety nut
- With moulded cable

## Dimensional data



## Technical Data

Application Class:	HNA acc. to DIN 40040 (-25 °C / +90 °C / ≤ 100%rF)	Securing Safety Nut:	Nickel plated brass
Moulded Body:	TPU, self-extinguishing	O-Ring:	Viton
Nominal Power:	4A(CSA=3A), 8 poles=1.5A	Protection:	IP 68
Nominal Voltage:	3+4poles, 250VAC/300VDC 5+8poles, 30VAC/36VDC	Insulation Group:	C acc.to VDE 0110
Contact:	CuSn, brass, pre-nickeled and 0.3 microns gold-plated 8poles=CuZn, pre-nickeled and 0.8 microns gold-plated	Test Voltage:	3+4poles, 2.0 KV eff./60s. 5+8poles, 1.5 KV eff./60s.
Body:	TPU, self-extinguishing	Contact Resistance:	≤ 5mΩ
		Insulation Resistance:	> 10 <sup>9</sup> Ω
		CSA certified:	219967

## Catalog Number

Part-No	Poles	Face View female	Color Code	Conductors		Outer Jacket	
				Guage	Stranding	φ mm	Material
R-FS3TZV062	3		1=brown 3=blue 4=black	0.34mm <sup>2</sup>	42xφ0.10	5.0	PVC
R-FS3TZV312				0.34mm <sup>2</sup>	42xφ0.10		PVC irradiated
R-FS3TZY042				0.34mm <sup>2</sup>	42xφ0.10		PUR/PVC
R-FS4/3TZV062	4		1=brown 2= - 3=blue 4=black	0.34mm <sup>2</sup>	42xφ0.10	5.0	PVC
R-FS4/3TZV312				0.34mm <sup>2</sup>	42xφ0.10		PVC irradiated
R-FS4/3TZY042				0.34mm <sup>2</sup>	42xφ0.10		PUR/PVC
R-FS4TZV072	4		1=brown 2=white 3=blue 4=black	0.25mm <sup>2</sup>	32xφ0.10	5.0	PVC
R-FS4TZV812				0.34mm <sup>2</sup>	42xφ0.10		PVC irradiated
R-FS4TZY872				0.25mm <sup>2</sup>	32xφ0.10		PUR/PVC
R-FS5TZU822	5		1=brown 2=white 3=blue 4=black 5=gray	0.50mm <sup>2</sup>	16xφ0.20	6.0	PUR
R-FS8TZU092	8		1=white 2=brown 3=green 4=yellow 5=grey 6=pink 7=blue 8=red	0.25mm <sup>2</sup>	32xφ 0.10	6.0	PUR

Standard length: 2.0 m, 5.0 m, 7.5 m, 10.0 m. Other cable length or cable specifications on request.

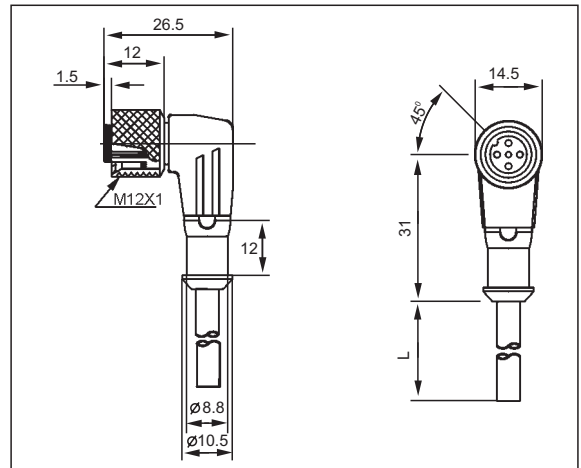
# EURO-STYLE QUICK DISCONNECT CABLES

## View



- Female Euro-style
- Right-angle style
- Screw locking with (auto) securing safety nut
- With moulded cable

## Dimensional data



## Technical Data

Application Class: HNA acc. to DIN 40040  
 (-25 °C / +90 °C / ≤ 100%rF)  
 Moulded Body: TPU, self-extinguishing  
 Nominal Power: 4A(CSA=3A)  
 Nominal Voltage: 3+4poles, 250VAC/300VDC  
 5poles, 30VAC/36VDC  
 Contact: CuSn, brass, pre-nickel and 0.3 microns gold-plated  
 O-Ring: Viton  
 Body: TPU, self-extinguishing

Securing Safety Nut: Nickel plated brass  
 Protection: IP 68  
 Test Voltage: 3+4poles, 2.0 KV eff./60s.  
 5+8poles, 1.5 KV eff./60s.  
 Insulation Group: C acc.to VDE 0110  
 Contact Resistance: ≤ 5m Ω  
 Insulation Resistance: >10<sup>9</sup> Ω  
 CSA certified: 219967

## Catalog Number

Part-No	Poles	Face View female	Color Code	Conductors		Outer Jacket	
				Guage	Stranding	φ mm	Material
R-FA3TZV062	3		1=brown 3=blue 4=black	0.34mm <sup>2</sup>	42x φ 0.10	5.0	PVC
R-FA3TZV312				0.34mm <sup>2</sup>	42x φ 0.10		PVC irradiated
R-FA3TZY042				0.34mm <sup>2</sup>	42x φ 0.10		PUR/PVC
R-FA4/3TZV062	4		1=brown 2=- 3=blue 4=black	0.34mm <sup>2</sup>	42x φ 0.10	5.0	PVC
R-FA4/3TZV312				0.34mm <sup>2</sup>	42x φ 0.10		PVC irradiated
R-FA4/3TZY042				0.34mm <sup>2</sup>	42x φ 0.10		PUR/PVC
R-FA4TZV072	4		1=brown 2=white 3=blue 4=black	0.25mm <sup>2</sup>	32x φ 0.10	5.0	PVC
R-FA4TZV812				0.34mm <sup>2</sup>	42x φ 0.10		PVC irradiated
R-FA4TZY872				0.25mm <sup>2</sup>	32x φ 0.10		PUR/PVC
R-FA5TZU822	5		1=brown 2=white 3=blue 4=black 5=gray	0.50mm <sup>2</sup>	16x φ 0.20	6.0	PUR

Standard length: 2.0 m, 5.0 m, 7.5 m, 10.0 m. Other cable length or cable specifications on request.

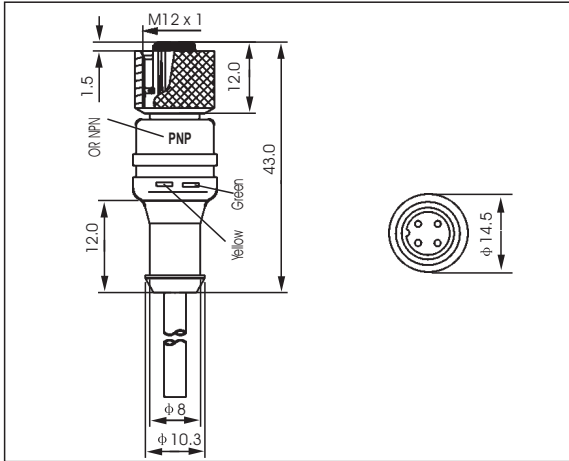
# EURO-STYLE QUICK DISCONNECT CABLES

## View



- Female Euro-style
- With built-in LED
- Screw locking with (auto) securing safety nut
- With moulded cable

## Dimensional data



## Technical Data

Application Class:	HNA acc. to DIN 40040 (-25 °C / +90 °C / ≤ 100%rF)	Body:	TPU, self-extinguishing
Moulded Body:	TPU, self-extinguishing	Securing Safety Nut:	Nickel plated brass
Nominal Power:	4A(CSA=3A)	Protection:	IP 68
Nominal Voltage:	10-30VDC	Insulation Group:	C acc.to VDE 0110
Contact:	CuSn, brass, pre-nickeled and 0.3 microns gold-plated	Contact Resistance:	≤ 5m Ω
O-Ring:	Viton	Insulation Resistance:	> 10 <sup>9</sup> Ω

## Catalog Number

Part-No	Poles	Face View female	Color Code	Conductors		Outer Jacket		Circuit LED-indicator
				Guage	Stranding	φ (mm)	Material	
R-FS4/3TPV062	4		1=brown 2=- 3=blue 4=black	0.34mm <sup>2</sup>	42xφ0.10	5.0	PVC	<p>npn-normally open =yellow-green</p>
R-FS4/3TPV312				0.34mm <sup>2</sup>	42xφ0.10	5.0	PVC irradiated	
R-FS4/3TPY042				0.34mm <sup>2</sup>	42xφ0.10	5.0	PUR/PVC	
R-FS4TPV072	4		1=brown 2=white 3=blue 4=black	0.25mm <sup>2</sup>	32x φ 0.10	5.0	PVC	<p>npn-normally closed/open =yellow-green</p>
R-FS4TPV812				0.34mm <sup>2</sup>	42xφ0.10	5.0	PVC irradiated	
R-FS4TPY872				0.25mm <sup>2</sup>	32x φ 0.10	5.0	PUR/PVC	

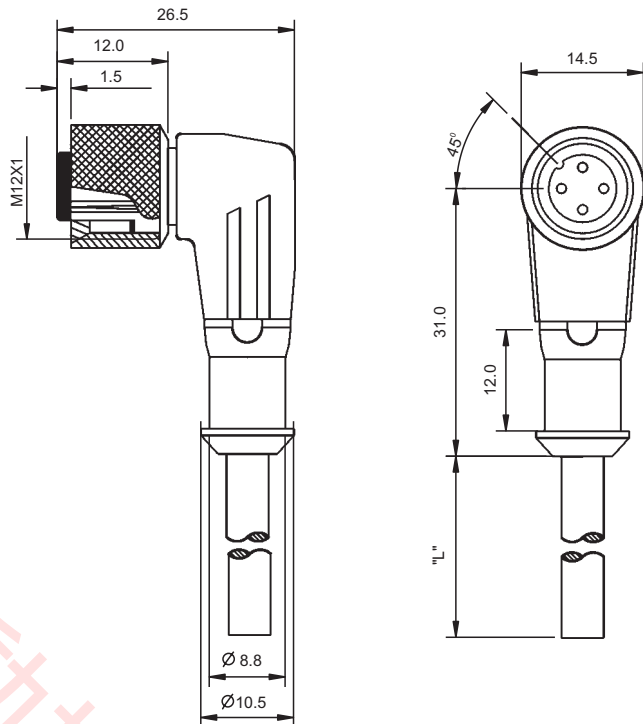
Standard length: 2.0 m, 5.0 m, 7.5 m, 10.0 m. Other cable length or cable specifications on request.

# EURO-STYLE QUICK DISCONNECT CABLES

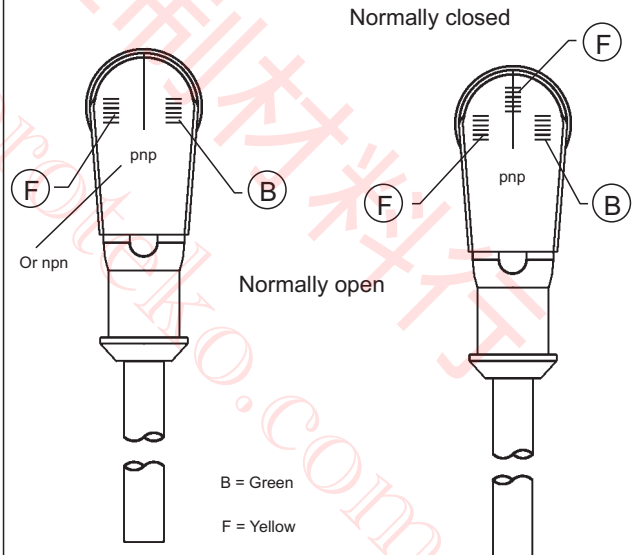
## View



## Dimensional data



- Female Euro-style
- Right-angle style
- With built-in LED
- Screw locking with (auto) securing safety nut
- With moulded cable



## Technical Data

Application Class: HNA acc. to DIN 40040  
 (-25 °C / +90 °C / ≤ 100%rF)

Moulded Body: TPU, self-extinguishing

Nominal Power: 4A(CSA=3A)

Nominal Voltage: 10-30VDC

Contact: CuSn, brass, pre-nickeled and 0.3 microns gold-plated

O-Ring: Viton

Body: TPU, self-extinguishing

Securing Safety Nut: Nickel plated brass

Protection: IP 68

Insulation Group: C acc.to VDE 0110

Contact Resistance: ≤ 5mΩ

Insulation Resistance: > 10<sup>9</sup>Ω

# EURO-STYLE QUICK DISCONNECT CABLES

Part-No.	Poles	Face View female	Color Code	Conductors		Outer Jacket		Circuit LED-indicator
				Guage	Stranding	φ mm	Material	
R-FA4/3TPV062/A	4		1=brown 2= - 3=blue 4=black	0.34mm <sup>2</sup>	42xφ0.10	5.0	PVC	A type pnp-normally open =yellow-green
R-FA4/3TPV312/A							PVC irradiated	
R-FA4/3TPY042/A							PUR/PVC	
R-FA4/3TNV062/C	4		1=brown 2= - 3=blue 4=black	0.34mm <sup>2</sup>	42xφ0.10	5.0	PVC	C type npn-normally open =yellow-green
R-FA4/3TNV312/C							PVC irradiated	
R-FA4/3TNY042/C							PUR/PVC	
R-FA4TPV072/F	4		1=brown 2=white 3=blue 4=black	0.25mm <sup>2</sup>	32xφ0.10	5.0	PVC	F type pnp-normally closed/open =yellow-green
R-FA4TPV812/F				0.34mm <sup>2</sup>	42xφ0.10		PVC irradiated	
R-FA4TPY872/F				0.25mm <sup>2</sup>	32xφ0.10		PUR/PVC	
R-FA4TNV072/G	4		1=brown 2=white 3=blue 4=black	0.25mm <sup>2</sup>	32xφ0.10	5.0	PVC	G type npn-normally closed/open =yellow-green
R-FA4TNV812/G				0.34mm <sup>2</sup>	42xφ0.10		PVC irradiated	
R-FA4TNY872/G				0.25mm <sup>2</sup>	32xφ0.10		PUR/PVC	
R-FA4/3TPV062/H	4		1=brown 2=black 3=blue 4= -	0.34mm <sup>2</sup>	42xφ0.10	5.0	PVC	H type pnp-normally closed =yellow-green
R-FA4/3TPV312/H							PVC irradiated	
R-FA4/3TPY042/H							PUR/PVC	
R-FA4TPV072/P	4		1=brown 2=white 3=blue 4=black	0.25mm <sup>2</sup>	32xφ0.10	5.0	PVC	P type pnp-normally closed/open =yellow-yellow-green
R-FA4TPV812/P				0.34mm <sup>2</sup>	42xφ0.10		PVC irradiated	
R-FA4TPY872/P				0.25mm <sup>2</sup>	32xφ0.10		PUR/PVC	

Standard length: 2.0 m, 5.0 m, 7.5 m, 10.0 m. Other cable length or cable specifications on request.

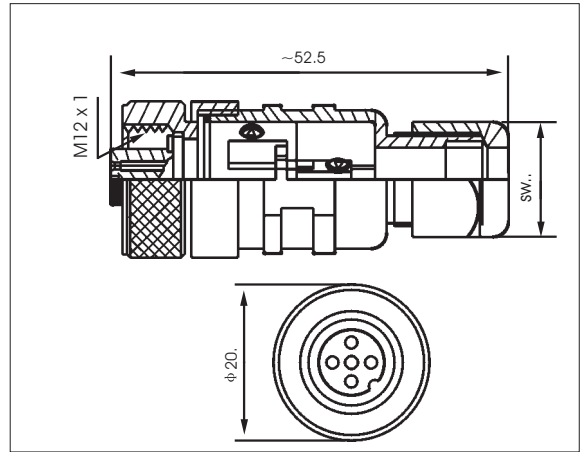
# EURO-STYLE QUICK DISCONNECT RECEPTACLES

## View



- Female Euro-style with locknut
- PA, self-extinguishing molded connector shell
- Convenient screw terminations

## Dimensional data



## Technical Data

Application Class: HNA acc. to DIN 40040  
(-40 °C / +90 °C / ≤ 100%rF)

Moulded Body: PA, self-extinguishing

Nominal Power: 4A

Nominal Voltage: 3+4poles, 125VAC/150VDC  
5poles, 30VAC/36VDC

Contact: CuZn, 2-4UM/CuSnZn

O-Ring: NBR

Body: PA, self-extinguishing  
Locknut: Nickel plated brass

Protection: IP 67  
Mode of Connection: Screw clamps  
Insulation Group: C acc. to VDE 0110  
Test Voltage: 3+4poles, 1,25 KV eff./60s.  
5poles, 1,0 KV eff./60s.

Insulation Resistance: > 10<sup>9</sup> Ω

## Catalog Number

Part-No	Poles	Face View female	Max. Wire section (mm <sup>2</sup> )	SW ...	Screw Joint for cable
R-FS4/3KZ/PG7	4		max. 0.75mm <sup>2</sup>	15	PG7 φ 4.0-6.0mm
R-FS4/3KZ/PG9				19	PG9 φ 6.0-8.0mm
R-FS4KZ/PG7	4		max. 0.75mm <sup>2</sup>	15	PG7 φ 4.0-6.0mm
R-FS4KZ/PG9				19	PG9 φ 6.0-8.0mm
R-FS5KZ/PG7	5		max. 0.75mm <sup>2</sup>	15	PG7 φ 4.0-6.0mm
R-FS5KZ/PG9				19	PG9 φ 6.0-8.0mm

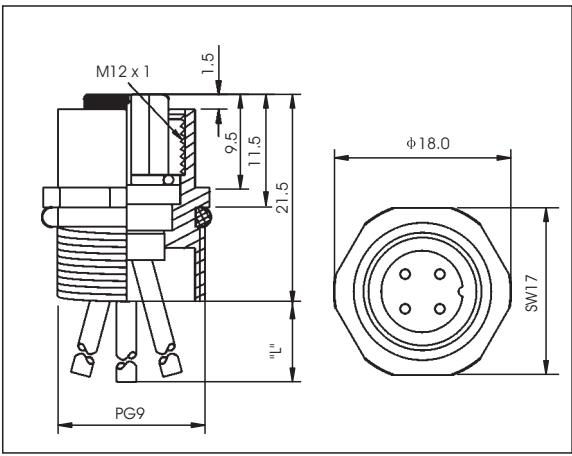
# EURO-STYLE QUICK DISCONNECT CABLES

## View



- Female Euro-style receptacle
- Front mounting, wire ends, thread chassis side PG9
- Back mounting with nut RMF9 (see page C-34)
- Solder contacts potted with epoxy

## Dimensional data



## Technical Data

Application Class:	HNA acc. to DIN 40040 (-25 °C / +90 °C / ≤ 100%rF)	O-Ring:	Viton
Moulded Body:	TPU, self-extinguishing	Protection:	IP 68
Nominal Power:	4A, 8 poles=1.5A	Contact Resistance:	≤ 5m Ω
Nominal Voltage:	3+4poles, 250VAC/300VDC 5poles, 30VAC/36VDC	Insulation Group:	C acc.to VDE 0110
Contact:	CuSn, brass, pre-nickel and 0.3 microns gold-plated 8poles=CuZn, brass, pre-nickel and 0.8 microns gold-plated	Test Voltage:	2.0 KV eff./60s. 8poles, 1.5 KV eff./60s.
Receptacle Housing:	Nickel plated brass	Insulation Resistance:	>10 <sup>9</sup> Ω
		CSA certified:	219967

## Catalog Number

Part-No	Poles	Face View female	Colour Code	Conductors		Conductor Insulation φ mm(single)
				Guage	Stranding	
R-FS4/3FZ/0.5/PG9	4		1=brown 2= - 3=blue 4=black	0.34mm <sup>2</sup>	42 x φ0.10	1.6
R-FS4FZ/0.5/PG9	4		1=brown 2=white 3=blue 4=black	0.34mm <sup>2</sup>	42 x φ0.10	1.6
R-FS5FZ/0.5/PG9	5		1=brown 2=white 3=blue 4=black 5=gray	0.34mm <sup>2</sup>	42 x φ0.10	1.6
				0.50mm <sup>2</sup>	16 x φ0.20	1.8
R-FS8FZ/0.5/PG9	8		1=white 2=brown 3=green 4=yellow 5=grey 6=pink 5=blue 8=red	0.25mm <sup>2</sup>	32 x φ0.10	1.6



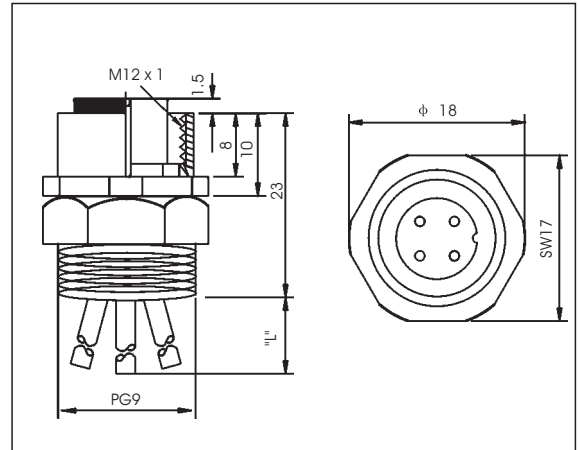
# EURO-STYLE QUICK DISCONNECT CABLES

## View



- Female Euro-style receptacle
- Front mounting, with positional insert wire ends, thread chassis side PG9
- Back mounting with nut RMF9(see page C-34)
- Solder contacts potted with epoxy

## Dimensional data



## Technical Data

Application Class:	HNA acc. to DIN 40040 (-25 °C / +90 °C / ≤ 100%rF)	Contact Resistance:	≤ 5mΩ
Moulded Body:	TPU, self-extinguishing	Receptacle Housing:	Nickel plated brass
Nominal Power:	4A	O-Ring:	Viton
Nominal Voltage:	3+4poles, 250VAC/300VDC 5poles, 30VAC/36VDC	Protection:	IP 68
Contact:	CuSn, brass, pre-nickeled and 0.3 microns gold-plated	Insulation Group:	Cacc.toVDE0110
		Test Voltage:	2.0 KV eff./60s.
		Insulation Resistance:	> 10 <sup>9</sup> Ω
		CSA certified:	219967

## Catalog Number

Part-No	Poles	Face View female	Colour Code	Conductors		Conductor insulation φ mm(single)
				Guage	Stranding	
R-FS4/3FPZ/0.5/PG9	4		1=brown 2=- 3=blue 4=black	0.34mm <sup>2</sup>	42x φ 0.10	1.6
R-FS4FPZ/0.5/PG9	4		1=brown 2=white 3=blue 4=black	0.34mm <sup>2</sup>	42x φ 0.10	1.6
R-FS5FPZ/0.5/PG9	5		1=brown 2=white 3=blue 4=black 5=gray	0.34mm <sup>2</sup>	42x φ 0.10	1.6
				0.50mm <sup>2</sup>	16x φ 0.20	1.8
R-FS8FPZ/0.5/PG9	8		1=white 2=brown 3=green 4=yellow 5=grey 6=pink 5=blue 8=red	0.25mm <sup>2</sup>	32x φ 0.10	1.6

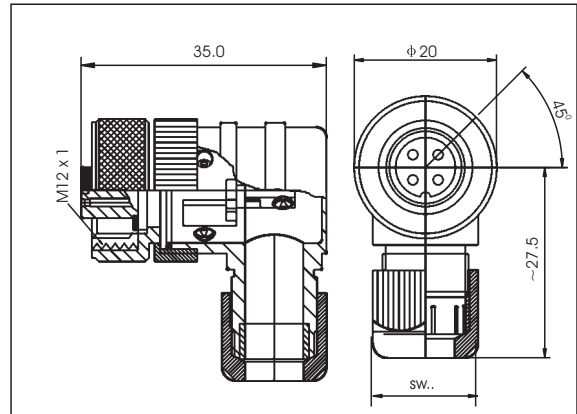
# EURO-STYLE QUICK DISCONNECT RECEPTACLES

## View



- Female Euro-style with locknut
- Right-angle style
- Nylon molded connector shell
- Convenient screw terminations

## Dimensional data



## Technical Data

Application Class:	HNA acc. to DIN 40040 (-40 °C / +90 °C / ≤ 100%rF)	Body:	PA, self-extinguishing
Moulded Body:	PA self-extinguishing	Locknut:	Nickel plated brass
Nominal Power:	4A	Protection:	IP 67
Nominal Voltage:	3+4poles, 125VAC/150VDC 5poles, 30VAC/36VDC	Mode of Connection:	Screw clamps
Contact:	CuZn, 2-4UM CuSnZn	Insulation Group:	C acc.to VDE 0110
O-Ring:	NBR	Test Voltage:	3+4poles, 1,25 KV eff./60s. 5poles, 1,0 KV eff./60s.
		Insulation Resistance:	> 10 <sup>9</sup> Ω

## Catalog Number

Part-No	Poles	Face View female	Max. Wire section	Screw Joint for cable	SW ...
R-FA4/3KZ/PG7	4		max. 0.75mm <sup>2</sup>	PG7 φ4.0-6.0mm	15
R-FA4/3KZ/PG9				PG9 φ6.0-8.0mm	19
R-FA4KZ/PG7	4		max. 0.75mm <sup>2</sup>	PG7 φ4.0-6.0mm	15
R-FA4KZ/PG9				PG9 φ6.0-8.0mm	19
R-FA5KZ/PG7	5		max. 0.75mm <sup>2</sup>	PG7 φ4.0-6.0mm	15
R-FA5KZ/PG9				PG9 φ6.0-8.0mm	19

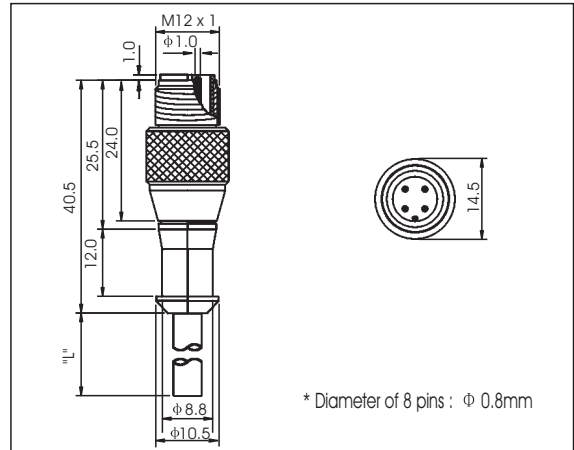
# EURO-STYLE QUICK DISCONNECT CABLES

## View



- Euro-style
- Screw locking with (auto) securing Safety nut
- With moulded Cable

## Dimensional data



## Technical Data

Application Class: HNA acc. to DIN 40040  
(-25 °C / +90 °C / ≤ 100%rF)

Moulded Body: TPU, self-extinguishing

Nominal Power: 4A , 8 poles=1.5A

Nominal Voltage: 3+4poles250VAC/300VDC  
5+8poles, 30VAC/36VDC

Contact: CuZn, pre-nickel and  
0.8 microns gold-plated

Body: TPU, self-extinguishing

Securing Safety Nut: Nickel plated brass

Protection: IP 68

Insulation Group: C acc.to VDE 0110

Test Voltage: 3+4poles, 2.0 KV eff./60s.  
5+8poles, 1.5 KV eff./60s.

Insulation Resistance: > 10<sup>9</sup>Ω

CSA certified: 219967

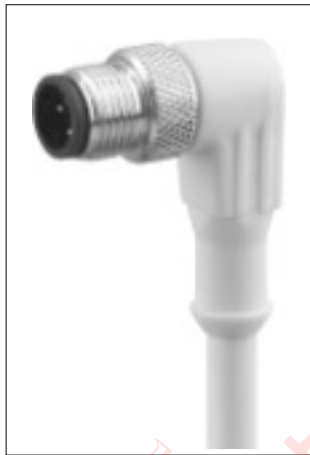
## Catalog Number

Part-No	Poles	Face View male	Color Code	Conductors		Outer Jacket	
				Guage	Stranding	φ mm	Material
R-MS3TZV062	3		1=brown 3=blue 4=black	0.34mm <sup>2</sup>	42 x φ0.10	5.0	PVC
R-MS3TZV312				0.34mm <sup>2</sup>	42 x φ0.10		PVC irradiated
R-MS3TZY042				0.34mm <sup>2</sup>	42 x φ0.10		PUR/PVC
R-MS4/3TZV062	4		1=brown 2= - 3=blue 4=black	0.34mm <sup>2</sup>	42 x φ0.10	5.0	PVC
R-MS4/3TZV312				0.34mm <sup>2</sup>	42 x φ0.10		PVC irradiated
R-MS4/3TZY042				0.34mm <sup>2</sup>	42 x φ0.10		PUR/PVC
R-MS4TZV072	4		1=brown 2=white 3=blue 4=black	0.25mm <sup>2</sup>	32 x φ0.10	5.0	PVC
R-MS4TZV812				0.34mm <sup>2</sup>	42 x φ0.10		PVC irradiated
R-MS4TZY872				0.25mm <sup>2</sup>	32 x φ0.10		PUR/PVC
R-MS5TZU822	5		1=brown 2=white 3=blue 4=black 5=gray	0.50mm <sup>2</sup>	16 x φ0.10	6.0	PUR
R-MS8TZU092	8		1=white 2=brown 3=green 4=yellow 5=grey 6=pink 7=blue 8=red	0.25mm <sup>2</sup>	32 x φ0.10	6.0	PUR

Standard length: 2.0 m, 5.0 m, 7.5 m, 10.0 m. Other cable length or cable specifications on request.

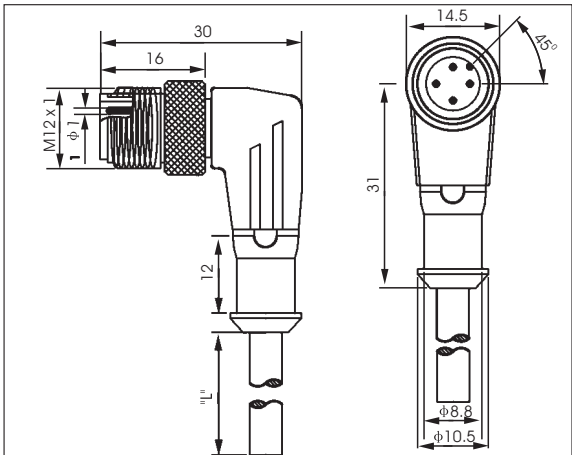
# EURO-STYLE QUICK DISCONNECT CABLES

## View



- Euro-style
- Right-angle style
- Screw locking with (auto) securing safety nut
- With moulded cable

## Dimensional data



## Technical Data

Application Class:	HNA acc. to DIN 40040 (-25 °C +90 °C / ≤ 100%rF)	Body :	TPU, self-extinguishing
Moulded Body:	TPU, self-extinguishing	Securing Safety Nut:	Nickel plated brass
Nominal Power:	4A	Protection:	IP 68
Nominal Voltage:	3+4poles, 250VAC/300VDC 5poles, 30VAC/36VDC	Insulation Resistance:	C acc.to VDE 0110
Contact:	CuZn, pre-nickel and 0.8 microns gold-plated	Test Voltage:	3+4poles, 2.0 KV eff./60s. 5poles, 1.5 KV eff./60s.
		Insulation Resistance:	> 10 <sup>9</sup> Ω
		CSA certified:	219967

## Catalog Number

Part-No	Poles	Face View male	Color Code	Conductors		Outer Jacket	
				Guage	Stranding	φ mm	Material
R-MA3TZV062	3		1=brown 3=blue 4=black	0.34mm <sup>2</sup>	42x φ 0.10	5.0	PVC
R-MA3TZV312							PVC irradiated
R-MA3TZY042							PUR/PVC
R-MA4/3TZV062	4		1=brown 2= - 3=blue 4=black	0.34mm <sup>2</sup>	42x φ 0.10	5.0	PVC
R-MA4/3TZV312							PVC irradiated
R-MA4/3TZY042							PUR/PVC
R-MA4TZV072	4		1=brown 2=white 3=blue 4=black	0.25mm <sup>2</sup>	32x φ 0.10	5.0	PVC
R-MA4TZV812				0.34mm <sup>2</sup>	42x φ 0.10	5.0	PVC irradiated
R-MA4TZY872				0.25mm <sup>2</sup>	32x φ 0.10	5.0	PUR/PVC
R-MA5TZU822	5		1=brown 2=white 3=blue 4=black 5=gray	0.50mm <sup>2</sup>	16x φ 0.20	6.0	PUR

Standard length: 2.0 m, 5.0 m, 7.5 m, 10.0 m. Other cable length or cable specifications on request.

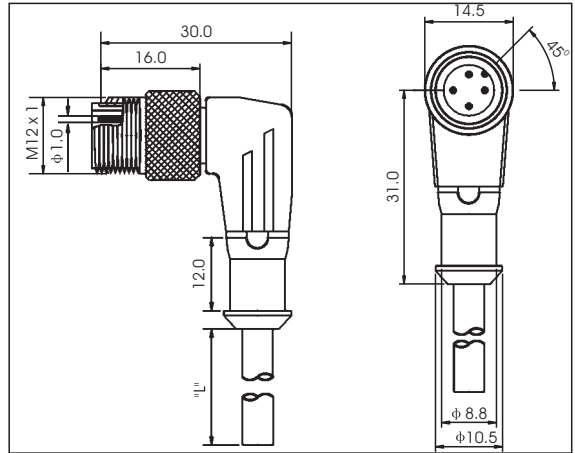
# EURO-STYLE QUICK DISCONNECT CABLES

## View



- Male Euro-style
- Right-angle style
- With built-in LED
- Screw locking with (auto) securing safety nut
- With moulded cable

## Dimensional data



## Technical Data

Application Class:	HNA acc. to DIN 40040 (-25 °C +90 °C / ≤100%rF)	Body :	TPU, self-extinguishing
Moulded Body:	TPU, self-extinguishing	Securing Safety Nut:	Nickel plated brass
Nominal Power:	4A	Protection:	IP 68
Nominal Voltage:	3+4poles,250VAC/300VDC 5poles,30VAC/36VDC	Insulation Resistance:	C acc.to VDE 0110
Contact:	CuZn, pre-nickeled and 0.8 microns gold-plated	Test Voltage:	3+4poles,2.0 KV eff./60s. 5poles,1.5 KV eff./60s.
		Insulation Resistance:	> 10 <sup>9</sup> Ω
		CSA certified:	219967

## Catalog Number

Part-No	Poles	Face View male	Color Code	Conductors		Outer Jacket	
				Guage	Stranding	φ mm	Material
R-MA3TPV062	3		1=brown 3=blue 4=black	0.34mm <sup>2</sup>	42xφ0.10	5.0	PVC
R-MA4/3TPV062	4		1=brown 2=- 3=blue 4=black	0.34mm <sup>2</sup>	42xφ0.10	5.0	PVC
R-MA3TNV062	3		1=brown 3=blue 4=black	0.34mm <sup>2</sup>	42xφ0.10	5.0	PVC
R-MA4/3TNV062	4		1=brown 2=- 3=blue 4=black	0.34mm <sup>2</sup>	42xφ0.10	5.0	PVC
R-MA4/3TNV312	4		1=brown 2=- 3=blue 4=black	0.34mm <sup>2</sup>	42xφ0.10	5.0	PVC irradiated
R-MA4/3TNV042							PUR/PVC

Standard length: 2.0 m, 5.0 m, 7.5 m, 10.0 m. Other cable length or cable specifications on request.

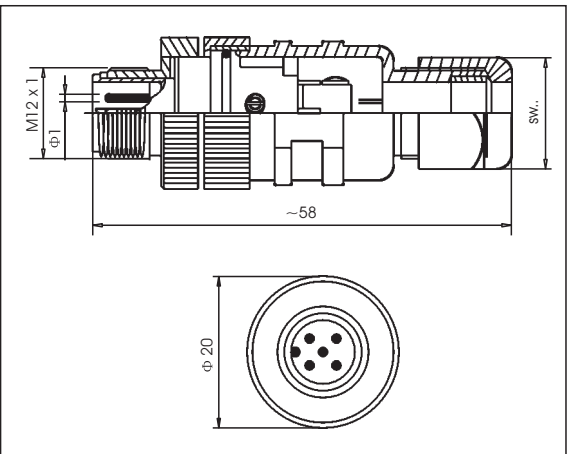
# EURO-STYLE QUICK DISCONNECT RECEPTACLES

## View



- Male Euro-style with locknut
- Nylon molded connector shell
- Convenient screw terminations

## Dimensional data



## Technical Data

Application Class:	HNA acc. to DIN 40040 (-25 °C / +90 °C / ≤ 100%rF)	Body:	PA, self-extinguishing
Moulded Body:	PA, self-extinguishing	Locknut:	Nickel plated brass
Nominal Power:	4A	Protection:	IP 67
Nominal Voltage:	3+4poles, 125VAC/150VDC 5poles, 30VAC/36VDC	Mode of Connection:	Screw clamps
Contact:	CuSn, 2-4UM CuSnZn	Insulation Group:	Cacc.to VDE 0110
0-Ring:	NBR	Test Voltage:	3+4poles, 1,25 KV eff./60s. 5poles, 1,0 KV eff./60s.
		Insulation Resistance:	> 10 <sup>9</sup> Ω

## Catalog Number

Part-No	Poles	Face View male	Max. Wire section	Screw Joint for cable	SW ...
R-MS3KZ/PG7	3		max. 0.75mm <sup>2</sup>	PG7 φ4.0-6.0mm	15
R-MS3KZ/PG9				PG9 φ6.0-8.0mm	19
R-MS4KZ/PG7	4		max. 0.75mm <sup>2</sup>	PG7 φ4.0-6.0mm	15
R-MS4KZ/PG9				PG9 φ6.0-8.0mm	19
R-MS5KZ/PG7	5		max. 0.75mm <sup>2</sup>	PG7 φ4.0-6.0mm	15
R-MS5KZ/PG9				PG9 φ6.0-8.0mm	19

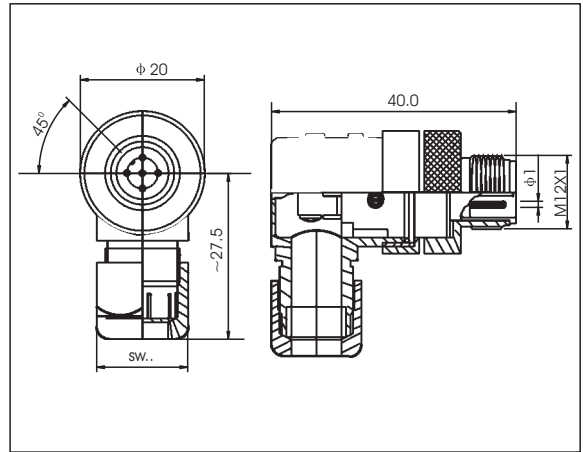
# EURO-STYLE QUICK DISCONNECT RECEPTACLES

## View



- Male Euro-style with locknut
- Right-angle type
- Nylon molded connector shell
- Convenient screw terminations

## Dimensional data



## Technical Data

Application Class: HNA acc. to DIN 40040  
 (-25 °C +90 °C / ≤ 100%rF)

Moulded Body: PA, self-extinguishing

Nominal Power: 4A

Nominal Voltage: 3+4poles, 125VAC/150VDC  
 5poles, 30VAC/36VDC

Contact: CuZn, 2-4UM/CuSnZn

O-Ring: NBR

Body: PA, self-extinguishing

Locknut: Nickel plated brass

Protection: IP 67

Mode of Connection: Screw clamps

Test Voltage: 3+4poles, 1,25 KV eff./60s.  
 5poles, 1,0 KV eff./60s.

Insulation Group: C acc.to VDE0110

Insulation Resistance: > 10<sup>9</sup> Ω

## Catalog Number

Part-No	Poles	Face View male	Max. Wire section	Screw Joint for cable	SW ...
R-MA3KZ/PG7	3		max. 0.75mm <sup>2</sup>	PG7 φ4.0-6.0mm	15
R-MA3KZ/PG9				PG9 φ6.0-8.0mm	19
R-MA4KZ/PG7	4		max. 0.75mm <sup>2</sup>	PG7 φ4.0-6.0mm	15
R-MA4KZ/PG9				PG9 φ6.0-8.0mm	19
R-MA5KZ/PG7	5		max. 0.75mm <sup>2</sup>	PG7 φ4.0-6.0mm	15
R-MA5KZ/PG9				PG9 φ6.0-8.0mm	19

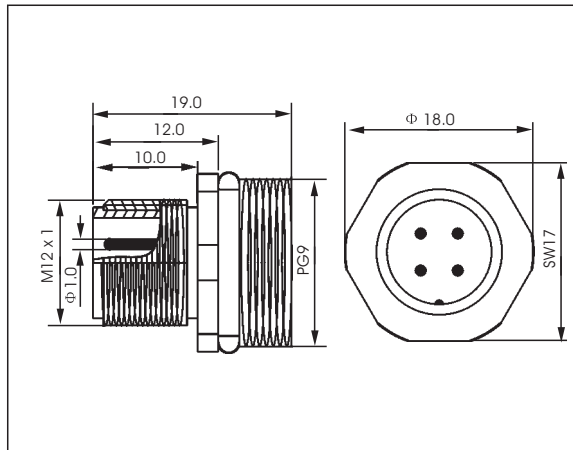
# EURO-STYLE QUICK DISCONNECT RECEPTACLES

## View



- Euro-style receptacles
- Front mounting, thread chassis side PG9
- Back mounting with nut RMF9(see page C-34)
- Attention !to ensure mechanical stability and impermeability The wire connections must be epoxy potted after cable assembly

## Dimensional data



## Technical Data

Application Class: HNA acc. to DIN 40040  
 (-25 °C /+90 °C / ≤ 100%rF)

Moulded Body: PA , self-extinguishing

Nominal Power: 4A

Nominal Voltage: 3+4poles, 250VAC/300VDC  
 5poles, 30VAC/36VDC

Contact: CuZn, brass, pre-nickel and  
 0.8 microns gold-plated

Chassis Plug Housing: Nickel plated brass

O-Ring: Viton

Protection: IP 68

Insulation Group: Cacc.toVDE0110

Test Voltage: 2.0 KV eff./60s.

Insulation Resistance: > 10<sup>9</sup> Ω

CSA certified: 219967

## Catalog Number

Part-No	Poles	Face View male	Color Code	Outer Jacket φ mm
R-MS3FZ/PG9	3		—	—
R-MS4FZ/PG9	4		—	—
R-MS5FZ/PG9	5		—	—
R-MS8FZ/PG9	8		—	—



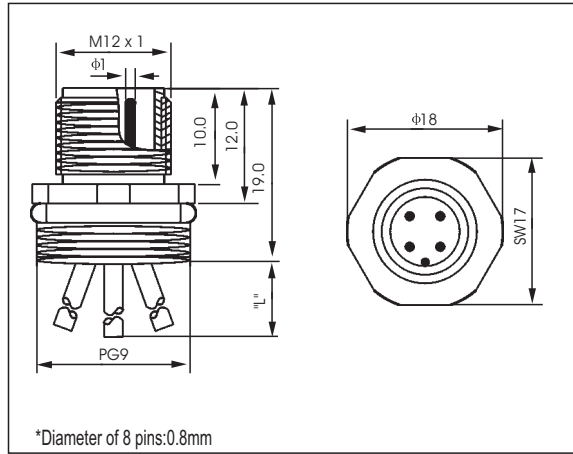
# EURO-STYLE QUICK DISCONNECT CABLES

## View



- Euro-style receptacles
- Front mounting, wire Ends, thread chassis side PG9
- Back mounting with nut RMF9(see page C-34)
- Solder contacts potted with epoxy

## Dimensional data



## Technical Data

Application Class:	HNA acc. to DIN 40040 (-25 °C /+90 °C / ≤ 100%rF)	Receptacle Housing:	Nickel plated brass
Moulded Body:	PA, self-extinguishing	O-Ring:	Viton
	8poles TPU, Self-extinguishing	Protection:	IP 68
Nominal Power:	4A , 8 poles=1.5A	Insulation Group:	Cacc.toVDE0110
Nominal Voltage:	3+4poles,250VAC/300VDC	Test Voltage:	2.0 KV eff./60s.
	5+8poles,30VAC/36VDC		8poles=1.5 KV eff./60s.
Contact:	CuZn, pre-nickeled and 0.8 microns gold-plated	Insulation Resistance:	> 10 <sup>9</sup> Ω
		CSA certified:	219967

## Catalog Number

Part-No	Poles	Face View male	Color Code	Conductors		Conductor insulation φ mm(single)
				Guage	Stranding	
R-MS3FZ/0.5/PG9	3		1=brown 3=blue 4=black	0.34mm <sup>2</sup>	42x φ 0.10	1.6
R-MS4/3FZ/0.5/PG9	4		1=brown 2= - 3=blue 4=black	0.34mm <sup>2</sup>	42x φ 0.10	1.6
R-MS4FZ/0.5/PG9	4		1=brown 2=white 3=blue 4=black	0.34mm <sup>2</sup>	42x φ 0.10	1.6
R-MS5FZ/0.5/PG9	5		1=brown 2=white 3=blue 4=black 5=gray	0.34mm <sup>2</sup>	42x φ 0.10	1.6
				0.50mm <sup>2</sup>	16x φ 0.20	1.8
R-MS8FZ/0.5/PG9	8		1=white 2=brown 3=green 4=yellow 5=grey 6=pink 7=blue 8=red	0.25mm <sup>2</sup>	32x φ 0.10	1.6

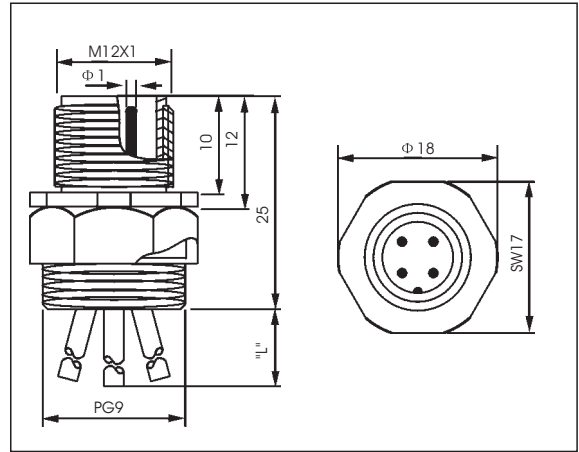
# EURO-STYLE QUICK DISCONNECT CABLES

## View



- Euro-style receptacle
- Front mounting, wire Ends, positionable insert ,thread chassis side PG9
- Solder contacts potted with epoxy
- Back mounting with nut RMF9 (see page C-34)

## Dimensional data



## Technical Data

Application Class: HNA acc. to DIN 40040  
 (-25 °C /+90 °C / ≤ 100%rF)

Moulded Body: PA, self-extinguishing

Nominal Power: 4A

Nominal Voltage: 3+4poles, 250VAC/300VDC  
 5poles, 30VAC/36VDC

Contact: CuZn, pre-nickel and  
 0.8 microns gold-plated

Receptacle Housing: Nickel plated brass

O-Ring: Viton

Protection: IP 68

Insulation Group: Cacc.toVDE0110

Test Voltage: 2.0 KV eff./60s.

Insulation Resistance: >10<sup>9</sup> Ω

CSA certified: 219967

## Catalog Number

Part-No	Poles	Face View male	Color Code	Conductors		Conductor insulation Φ mm(single)
				Guage	Stranding	
R-MS3FPZ/0.5/PG9	3		1=brown 3=blue 4=black	0.34mm <sup>2</sup>	42x Φ 0.10	1.6
R-MS4/3FPZ/0.5/PG9	4		1=brown 2= - 3=blue 4=black	0.34mm <sup>2</sup>	42x Φ 0.10	1.6
R-MS4FPZ/0.5/PG9	4		1=brown 2=white 3=blue 4=black	0.34mm <sup>2</sup>	42x Φ 0.10	1.6
R-MS5FPZ/0.5/PG9	5		1=brown 2=white 3=blue 4=black 5=gray	0.34mm <sup>2</sup>	42x Φ 0.10	1.6
				0.50mm <sup>2</sup>	16x Φ 0.20	1.8
R-MS8FPZ/0.5/PG9	8		1=white 2=brown 3=green 4=yellow 5=grey 6=pink 7=blue 8=red	0.25mm <sup>2</sup>	32 x Φ 0.10	1.6

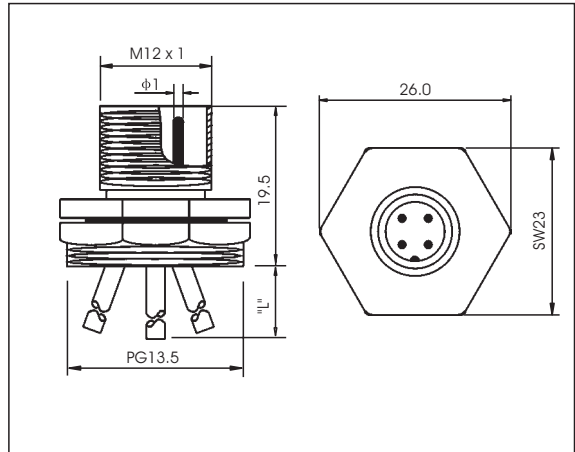
# EURO-STYLE QUICK DISCONNECT CABLES

## View



- Euro-style receptacle back mounting with nut RMF13.5 (see page C-34)
- Front mounting, wire ends, thread chassis side PG13.5
- Solder contacts potted with epoxy

## Dimensional data



## Technical Data

Application Class:	HNA acc. to DIN 40040 (-25 °C / +90 °C / ≤ 100%rF)	Receptacle Housing:	Nickel plated brass
Moulded Body:	PA, self-extinguishing	O-Ring	Viton
Nominal Power:	4A	Protection:	IP 68
Nominal Voltage:	3+4poles, 250VAC/300VDC 5poles, 30VAC/36VDC	Insulation Group:	Cacc.toVDE0110
Contact:	CuZn, pre-nickel and 0.8 microns gold-plated	Test Voltage:	2.0 KV eff./60s.
		Insulation Resistance:	> 10 <sup>9</sup> Ω
		CSA certified:	219967

## Catalog Number

Part-No	Poles	Face View male	Color Code	Conductors		Conductor insulation φ mm(single)
				Guage	Stranding	
R-MS3FZ/0.5/PG13.5	3		1=brown 3=blue 4=black	0.34mm <sup>2</sup>	42x φ 0.10	1.6
R-MS4/3FZ/0.5/PG13.5	4		1=brown 2=- 3=blue 4=black	0.34mm <sup>2</sup>	42x φ 0.10	1.6
R-MS4FZ/0.5/PG13.5	4		1=brown 2=white 3=blue 4=black	0.34mm <sup>2</sup>	42x φ 0.10	1.6
R-MS5FZ/0.5/PG13.5	5		1=brown 2=white 3=blue 4=black 5=gray	0.34mm <sup>2</sup>	42x φ 0.10	1.6
				0.50mm <sup>2</sup>	16x φ 0.20	1.8
R-MS8FZ/0.5/PG13.5	8		1=white 2=brown 3=green 4=yellow 5=grey 6=pink 7=blue 8=red	0.25mm <sup>2</sup>	32x φ 0.10	1.6

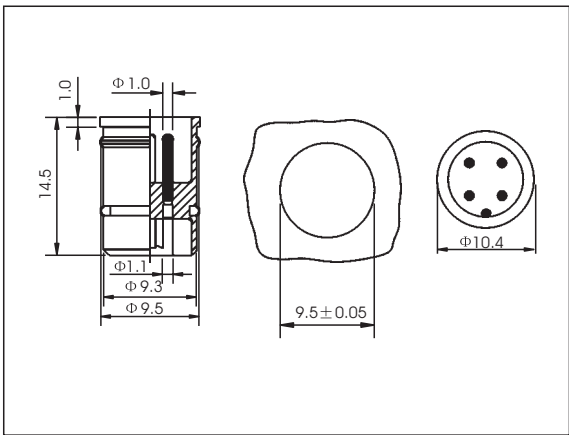
# EURO-STYLE QUICK DISCONNECT RECEPTACLES

## View



- Euro-style plug insert for proximity switch M12
- Viton o-ring seal

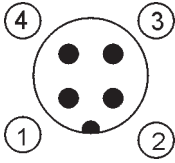
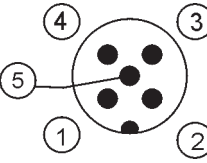
## Dimensional data



## Technical Data

Application Class:	HLE acc. to DIN 40040 (-25 °C / +110 °C / ≤ 75%rF)	Mode of Connection:	Solder types
Moulded Body:	PA, self-extinguishing	O-Ring:	Viton
Nominal Voltage:	60VAC/75VDC 250VAC/300VDC (Solder Contacts potted with epoxy)	Protection:	IP 68
Contact:	CuZn, brass, pre-nickeled and 0.8 microns gold-plated	Test Voltage:	4poles 2.0 KV eff./60s. 5poles 1.5 KV eff./60s.
Nominal Power:	4A	Insulation Resistance:	> 10 <sup>9</sup> Ω
		CSA certified:	219967

## Catalog Number

Part-No	Poles	Face View male	Shaft-φ mm	Ventilation hole φ mm
R-MS4	4		9.5 mm/9.3mm	—
R-MS5	5		9.5 mm/9.3mm	—

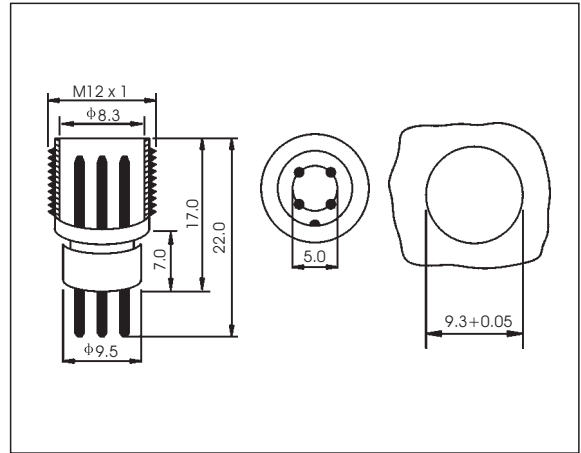
# EURO-STYLE QUICK DISCONNECT RECEPTACLES

## View



- Euro-style plug insert for proximity switch M12
- Viton o-ring seal

## Dimensional data



## Technical Data

Application Class: HLE acc. to DIN 40040  
(-25 °C / +110 °C / ≤ 100%rF)

Moulded Body: PA, self-extinguishing

Nominal Voltage: 60VAC/75VDC  
250VAC/300VDC (Solder Contacts potted with epoxy)

Contact: CuZn, brass ,pre-nickeled and 0.8 microns gold-plated

Nominal Power: 4A

Mode of Connection; Solder types

O-Ring: Viton

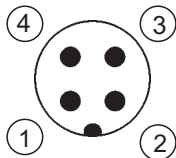
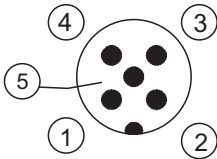
Protection IP 68

Test Voltage: 4poles 2.0 KV eff./60s.  
5poles 1.5 KV eff./60s.

Insulation Resistance: > 10<sup>9</sup>Ω

CSA certified: 219967

## Catalog Number

Part-No	Poles	Face View male	Shaft- φ mm	Ventilation Hole φmm
R-MS4/M12	4		9.5 mm/9.3mm	—
R-MS5/M12	5		9.5 mm/9.3mm	—

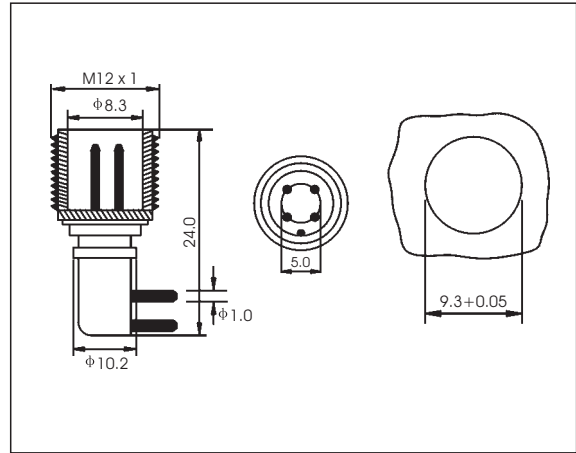
# EURO-STYLE QUICK DISCONNECT RECEPTACLES

## View



- Euro-style plug insert for proximity switch M12
- Viton O-ring seal

## Dimensional data



## Technical Data

Application Class: HLE acc. to DIN 40040  
(-25 °C / +110 °C / ≤ 100%rF)

Moulded Body: PA, self-extinguishing

Nominal Voltage: 60VAC/75VDC  
250VAC/300VDC (Solder contacts potted with epoxy)

Contact: CuZn, brass, pre-nickel and 0.8 microns gold-plated

Nominal Power: 4A

Mode of Connection: Solder types

O-Ring: Viton

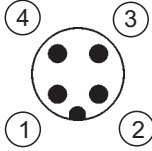
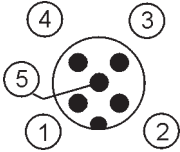
Protection: IP 68

Test Voltage: 4poles 2.0 KV eff./60s.  
5poles 1.5 KV eff./60s.

Insulation Resistance: > 10<sup>9</sup>Ω

CSA certified: 219967

## Catalog Number

Part-No	Poles	Face View male	Shaft- $\phi$ mm	Ventilation Hole $\phi$ mm
R-MA4/M12	4		9.5 mm/9.3mm	—
R-MA5/M12	5		9.5 mm/9.3mm	—

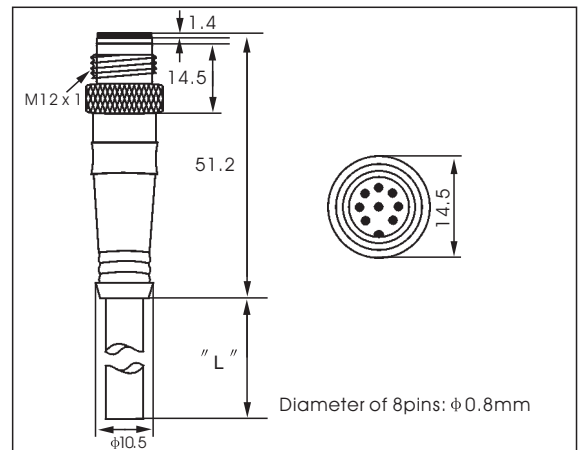
# EURO-STYLE QUICK DISCONNECT CABLES

## View



- Euro-style
- Screw locking with (auto) securing Safety nut
- With shielded cable

## Dimensional data



## Technical Data

Application Class: HNA acc. to DIN 40040  
 (-25 °C / +90 °C / ≤ 100%rF)

Moulded Body: TPU, self-extinguishing

Nominal Power: 8 poles=1.5A

Nominal Voltage: 3+4poles, 250VAC/300VDC  
 5+8poles, 30VAC/36VDC

Contact: CuZn, pre-nickeled and  
 0.8 microns gold-plated

Body: TPU, self-extinguishing

Securing Safety Nut: Nickel plated brass

Protection: IP 68

Insulation Group: C acc.to VDE 0110

Test Voltage: 3+4poles, 2.0 KV eff./60s.  
 5+8poles, 1.5 KV eff./60s.

Insulation Resistance: >10<sup>9</sup> Ω

CSA certified: 219967

## Catalog Number

Part-No	Poles	Face View male	Color Code	Conductors		Outer Jacket	
				Guage	Stranding	φ mm	Material
R-MS8TZV962	8		1=white 2=brown 3=green 4=yellow 5=grey 6=pink 7=blue 8=red	0.50mm <sup>2</sup>	65 x φ0.10	7.2	PVC
R-MS8TZU1022	8		1=white 2=brown 3=green 4=yellow 5=grey 6=pink 7=blue 8=red	0.50mm <sup>2</sup>	65 x φ0.10	7.2	PUR

Standard length: 2.0 m, 5.0 m, 7.5 m, 10.0 m. Other cable length or cable specifications on request.

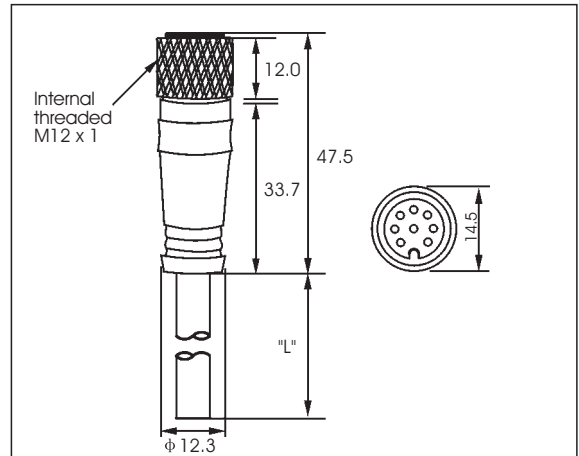
# EURO-STYLE QUICK DISCONNECT CABLES

## View



- Female Euro-style
- Screw locking with (auto) securing safety nut
- With shielded cable

## Dimensional data



## Technical Data

Application Class: HNA acc. to DIN 40040  
(-25°C / +90°C / ≤ 100%rF)

Moulded Body: TPU, self-extinguishing

Nominal Power: 8 poles=1.5A

Nominal Voltage: 3+4poles, 250VAC/300VDC  
5+8poles, 30VAC/36VDC

Contact: CuZn, brass, pre-nickeled and 0.3 microns gold-plated  
8poles=CuZn, pre-nickeled and 0.8 microns gold-plated

Body: TPU, self-extinguishing

Securing Safety Nut: Nickel plated brass

O-Ring: Viton

Protection: IP 68

Insulation Group: C acc.to VDE 0110

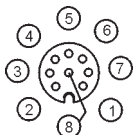
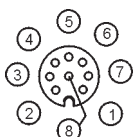
Test Voltage: 3+4poles, 2.0 KV eff./60s.  
5+8poles, 1.5 KV eff./60s.

Contact Resistance: ≤ 5mΩ

Insulation Resistance: >10<sup>9</sup>Ω

CSA certified: 219967

## Catalog Number

Part-No	Poles	Face View female	Color Code	Conductors		Outer Jacket	
				Guage	Stranding	φ mm	Material
R-FS8TZV962	8		1=white 2=brown 3=green 4=yellow 5=grey 6=pink 7=blue 8=red	0.50mm <sup>2</sup>	65 x φ0.10	7.2	PVC
R-FS8TZU1022	8		1=white 2=brown 3=green 4=yellow 5=grey 6=pink 7=blue 8=red	0.50mm <sup>2</sup>	65 x φ0.10	7.2	PUR

Standard length: 2.0 m, 5.0 m, 7.5 m, 10.0 m. Other cable length or cable specifications on request.



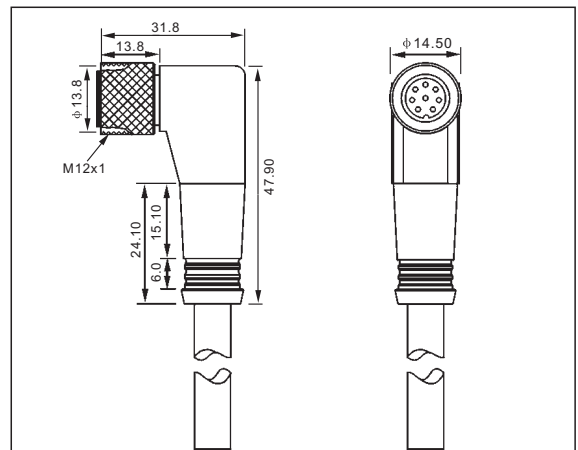
# EURO-STYLE QUICK DISCONNECT CABLES

## View



- Female Euro-style
- Right-angle
- Screw locking with (auto) securing Safety nut
- With shielded Cable

## Dimensional data



## Technical Data

Application Class: HNA acc. to DIN 40040  
(-25 °C / +90 °C / ≤ 100%rF)

Moulded Body: TPU, self-extinguishing

Nominal Power: 8 poles=1.5A

Nominal Voltage: 3+4poles, 250VAC/300VDC

5+8poles, 30VAC/36VDC

Contact: CuZn, pre-nickeled and  
0.8 microns gold-plated

Body: TPU, self-extinguishing

Securing Safety Nut: Nickel plated brass

Protection: IP 68

Insulation Group: C acc. to VDE 0110

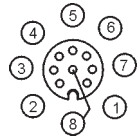
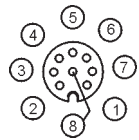
Test Voltage: 3+4poles, 2.0 KV eff./60s.

5+8poles, 1.5 KV eff./60s.

Insulation Resistance: >10<sup>9</sup> Ω

CSA certified: 219967

## Catalog Number

Part-No	Poles	Face View female	Color Code	Conductors		Outer Jacket	
				Guage	Stranding	φ mm	Material
R-FA8TZV962	8		1=white 2=brown 3=green 4=yellow 5=grey 6=pink 7=blue 8=red	0.50mm <sup>2</sup>	65 x φ0.10	7.2	PVC
R-FA8TZU1022	8		1=white 2=brown 3=green 4=yellow 5=grey 6=pink 7=blue 8=red	0.50mm <sup>2</sup>	65 x φ0.10	7.2	PUR

Standard length: 2.0 m, 5.0 m, 7.5 m, 10.0 m. Other cable length or cable specifications on request.

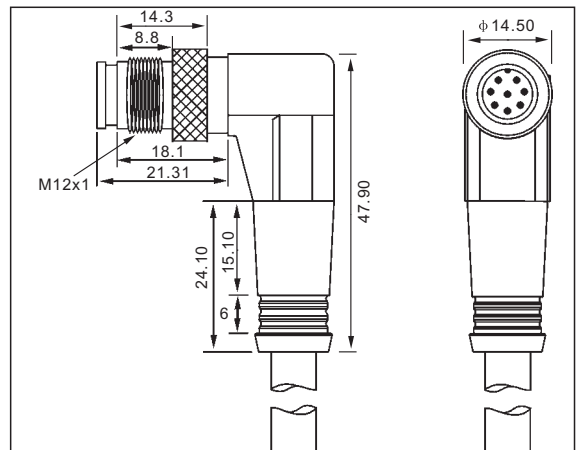
# EURO-STYLE QUICK DISCONNECT CABLES

## View



- Euro-style
- Right-angle style
- Screw locking with (auto) securing Safety nut
- With shielded Cable

## Dimensional data



## Technical Data

Application Class: HNA acc. to DIN 40040  
 (-25 °C / +90 °C / ≤ 100%rF)  
 Moulded Body: TPU, self-extinguishing  
 Nominal Power: 8 poles=1.5A  
 Nominal Voltage: 3+4poles, 250VAC/300VDC  
 5+8poles, 30VAC/36VDC  
 Contact: CuZn, pre-nickel and  
 0.8 microns gold-plated  
 Body: TPU, self-extinguishing

Securing Safety Nut: Nickel plated brass  
 Protection: IP 68  
 Insulation Group: C acc.to VDE 0110  
 Test Voltage: 3+4poles, 2.0 KV eff./60s.  
 5+8poles, 1.5 KV eff./60s.  
 Insulation Resistance: >10<sup>9</sup> Ω  
 CSA certified: 219967

## Catalog Number

Part-No	Poles	Face View male	Color Code	Conductors		Outer Jacket	
				Guage	Stranding	φ mm	Material
R-MA8TZV962	8		1=white 2=brown 3=green 4=yellow 5=grey 6=pink 7=blue 8=red	0.50mm <sup>2</sup>	65 x φ0.10	7.2	PVC
R-MA8TZU1022	8		1=white 2=brown 3=green 4=yellow 5=grey 6=pink 7=blue 8=red	0.50mm <sup>2</sup>	65 x φ0.10	7.2	PUR

Standard length: 2.0 m, 5.0 m, 7.5 m, 10.0 m. Other cable length or cable specifications on request.

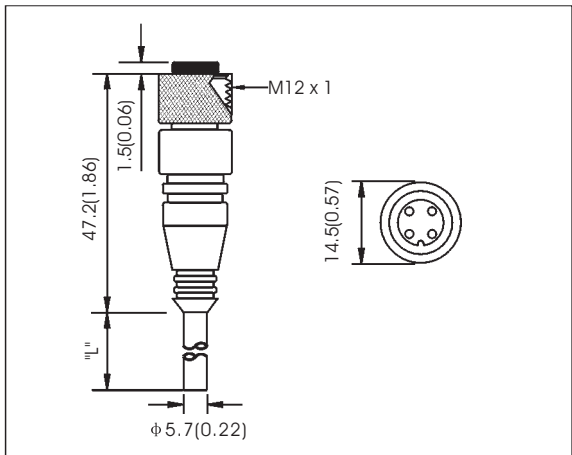
# EURO-STYLE QUICK DISCONNECT CABLES

## View



- Female Euro-style
- Screw locking with (auto) securing safety nut
- With moulded cable

## Dimensional data



## Technical Data

Application Class:	HNA acc. to DIN 40040 (-25°C / +90°C / ≤100%rF)	Securing Safety Nut:	Nickel plated brass
Moulded Body:	PVC, self-extinguishing	O-Ring:	Viton
Nominal Power:	4A(CSA=3A), 8 poles=1.5A	Protection:	IP 68
Nominal Voltage:	3+4poles, 250VAC/300VDC 5+8poles, 30VAC/36VDC	Insulation Group:	C acc.to VDE 0110
Contact:	CuSn, brass, pre-nickel and 0.3 microns gold-plated 8poles=CuZn, pre-nickel and 0.8 microns gold-plated	Test Voltage:	3+4poles, 2.0 KV eff./60s. 5+8poles, 1.5 KV eff./60s.
Body:	PVC, self-extinguishing	Contact Resistance:	≤5mΩ
		Insulation Resistance:	>10 <sup>9</sup> Ω
		CSA certified:	219967

## Catalog Number

Part-No	Poles	Face View female	Color Code	Conductors		Outer Jacket	
				Guage	Stranding	φ mm	Material
R-FS4/3TZV972	4		1=brown 2=- 3=blue 4=black	0.25mm <sup>2</sup>	19 x φ 0.12 x 1C	5.7	PVC
				0.93mm <sup>2</sup>	19 x φ 0.25 x 2C		

Standard length: 2.0 m and 5.0 m. 7.5m, 10.0m. Other cable length or cable specifications on request.

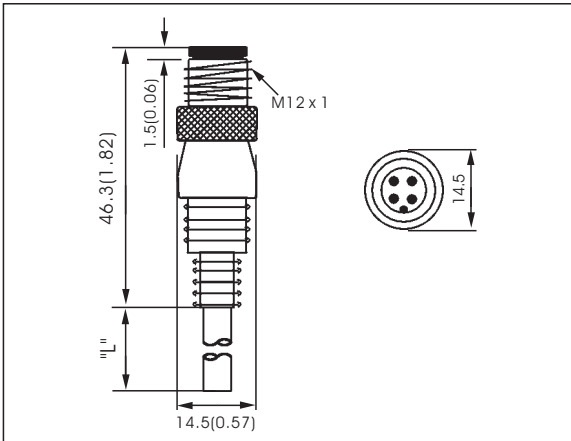
# EURO-STYLE QUICK DISCONNECT CABLES

## View



- Euro-style
- Screw locking with (auto) securing Safety nut
- With moulded Cable


## Dimensional data



## Technical Data

Application Class:	HNAcc. to DIN 40040 (-25°C/+90°C/≤100%rF)	Securing Safety Nut :	Nickel plated brass
Moulded Body:	PVC, self-extinguishing	Protection:	IP 68
Nominal Power:	4A, 8 poles=1.5A	Insulation Group:	C acc.to VDE 0110
Nominal Voltage:	3+4 poles250VAC/300VDC	Test Voltage:	3+4 poles, 2.0 KV eff./60s. 5+8 poles, 1.5 KV eff./60s.
Body:	TPU, self-extinguishing	Insulation Resistance:	>10 <sup>9</sup> Ω
Contact:	CuZn, pre-nickeled and 0.8 microns gold-plated	CSA certified:	219967

## Catalog Number

Part-No	Poles	Face View male	Color Code	Conductors		Outer Jacket	
				Guage	Stranding	φ mm	Material
R-MS4TZV702	4		1=brown 2=white 3=blue 4=black	0.34mm <sup>2</sup>	7 x φ0.25	6.2	PVC

Standard length: 2.0 m and 5.0 m. Other cable length or cable specifications on request.

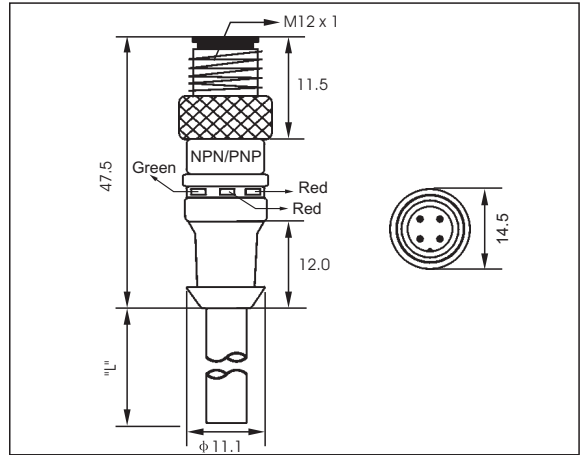
# EURO-STYLE QUICK DISCONNECT CABLES

## View



- Male Euro-style
- With built-in LEDs
- Screw locking with (auto) securing Safety nut
- With moulded Cable


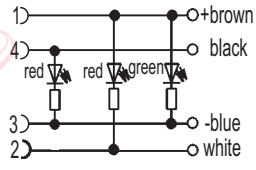
## Dimensional data



## Technical Data

Application Class:	HNA acc. to DIN 40040 (-25 °C / +90 °C / ≤ 100%rF)	Body:	TPU, self-extinguishing
Moulded Body:	TPU, self-extinguishing	Securing Safety Nut:	Nickel plated brass
Nominal Power:	4A(CSA=3A)	Protection:	IP 68
Nominal Voltage:	10-30VDC	Insulation Group:	C acc.to VDE 0110
Contact:	CuZn, brass, pre-nickeled and 0.3 microns gold-plated	Contact Resistance:	≤ 5m Ω
O-Ring:	Viton	Insulation Resistance:	> 10 <sup>9</sup> Ω

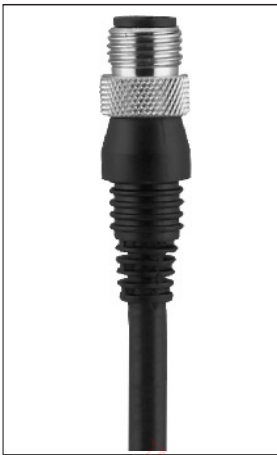
## Catalog Number

Part-No	Poles	Face View Male	Color Code	Conductors		Outer Jacket		Circuit LED-indicator
				Guage	Stranding	φ (mm)	Material	
R-MS4TN/PV992	4		1=brown 2=white 3=blue 4=black	0.80mm <sup>2</sup>	16 x φ 0.25	6.2	PVC	<p>npn/pnp-normally closed/open =2red-green</p> 

Standard length: 2.0 m, 3.0 m, 4.0 m, 5.0 m. Other cable length or cable specifications on request.

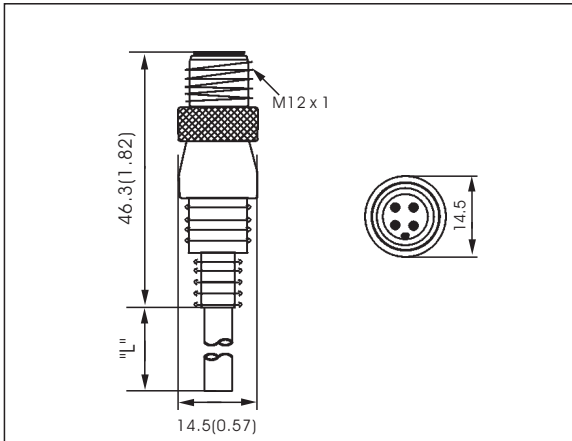
# EURO-STYLE QUICK DISCONNECT CABLES

## View



- Euro-style
- Screw locking with (auto) securing Safety nut
- With moulded Cable

## Dimensional data



## Technical Data

Application Class:	HNAcc. to DIN 40040 (-25°C/+90°C/≤100%rF)	Securing Safety Nut :	Nickel plated brass
Moulded Body:	PVC, self-extinguishing	Protection:	IP 68
Nominal Power:	4A, 8 poles=1.5A	Insulation Group:	C acc.to VDE 0110
Nominal Voltage:	3+4 poles250VAC/300VDC	Test Voltage:	3+4 poles, 2.0 KV eff./60s. 5+8 poles, 1.5 KV eff./60s.
Body:	TPU, self-extinguishing	Insulation Resistance:	>10 <sup>9</sup> Ω
Contact:	CuZn, pre-nickeled and 0.8 microns gold-plated	CSA certified:	219967

## Catalog Number

Part-No	Poles	Face View male	Color Code	Conductors		Outer Jacket	
				Guage	Stranding	φ mm	Material
R-MS4TZV982	4		1=brown 2=white 3=blue 4=black	0.34mm <sup>2</sup>	7 x φ0.25	6.2	PVC

Standard length: 2.0 m and 5.0 m. Other cable length or cable specifications on request.

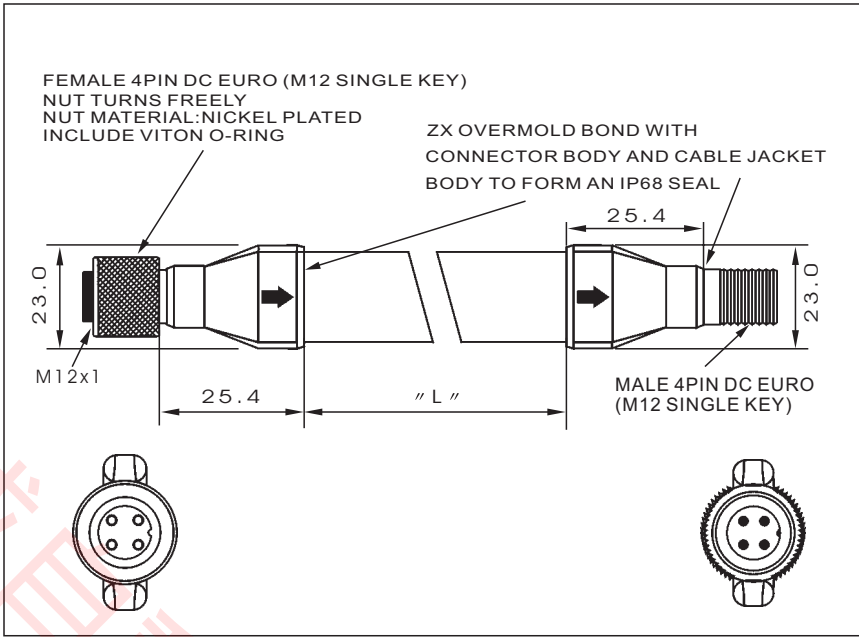
# CABLE EXTENSIONS, IP68 (M12 TO M12)

## View



- Euro-style (female) screw locking with (auto) securing safety nut
- Cable Extensions
- Euro-style (male) with screw-lock and moulded cable
- Black

## Dimensional data



MALE				FEMALE			
PIN1	PIN2	PIN3	PIN4	PIN1	PIN2	PIN3	PIN4
BRN	WHT	BLU	BLK	BRN	WHT	BLU	BLK

## Technical Data

Application Class:	GNA acc. To DIN 40040 (-40 °C / +90 °C / ≤ 100%rF)	Withdrawal Force/Contact:	≥ 3N
Moulded Body:	PVC self-extinguishing	Protection:	IP 68
Nominal Power:	4A	Water Pressure Resistance:	10 bar
Nominal Voltag:	250VAC	Insulation Group:	C acc.to VDE 0110
Locknut:	Nickel plated brass	Contact Resistance:	≤ 5mΩ
Contact:	CuZn, 3 microns silver-plated and 0.25 microns gold-plated	Test Voltage:	2+3poles, 2.0 KV eff./60s. 4+5poles, 1.5 KV eff./60s.
Insertion Force/Contact:	≥ 3N	Insulation Resistance:	>10 <sup>9</sup> Ω
		CSA certified:	219967

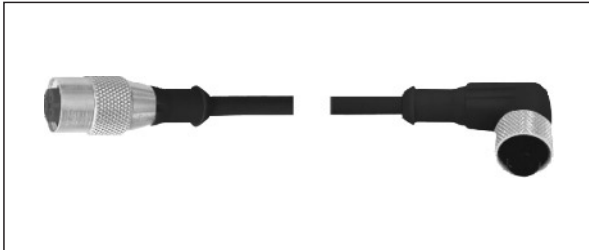
## Catalog Number

Part-No	Poles	Face View female/male	Color Code	Conductors		Outer Jacket	
				Guage	Stranding	mm(width)	Material
R-FS4TZ+ MS4TZV71xx/Flat	4		1=brown 2=white 3=blue 4=black	0.71mm <sup>2</sup>	40 x φ 0.15	20.0	PVC

Standard length: 0.3m, 0.6m, 1.0m, 1.5m, 2.0m. Other cable length or cable specifications on request.

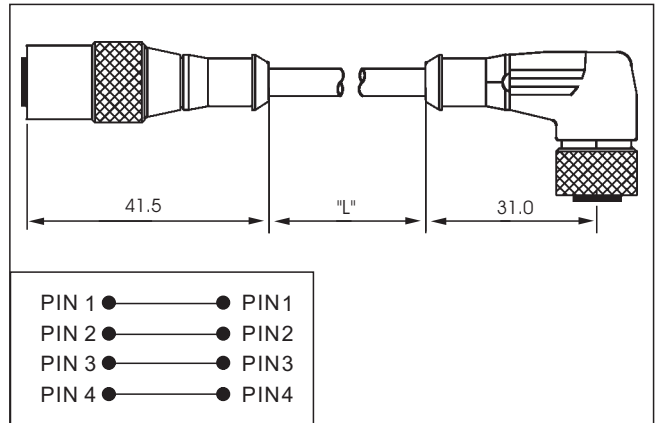
# CABLE EXTENSIONS, IP68 (M12 TO M12)

## View



- Cable Extensions
- Female euro-style (M12) screw locking with (auto) securing safety nut
- Female euro-style (M12) right angle style Screw locking with (auto) securing safety nut

## Dimensional data



## Technical Data

Application Class:	HNA acc. to DIN 40040 (-25 °C/+ 90 °C / ≤ 100%rF)	Shock:	IEC-68-2-27
Body:	TPU, self-extinguishing	Vibration:	IEC-68-2-6
Normal Power:	4A	Contact Resistance:	≤ 5m Ω
Normal Voltage:	250VAC/300VDC	Dielectric Withstanding	
Securing Safety Nut:	Nickel plated brass	Voltage:	2KVAC RMS/60sec
Protection:	IP 68, NEMA 6P (only in full locked position)	Insulation Resistance:	> 10 <sup>9</sup> Ω
		CSA certified:	219967

## Order Information

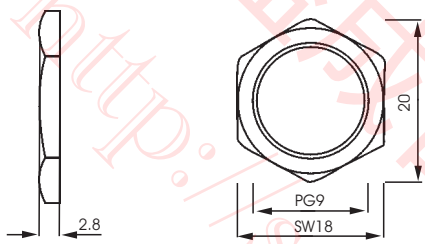
Part -No	Poles	(4 pole female insert front view)	(4 pole female insert front view)	Color code	Conductors		Outer Jacket	
					Guage	Stranding	φ mm	Material
R-FS4TZV07xx+ R-FA4TZV07xx	4			1=brown 2=white 3=blue 4=black	0.25mm <sup>2</sup>	32 x 0.10	5.0	PVC

Standard length: 2.0 m and 5.0 m. Other cable length or cable specifications on request.

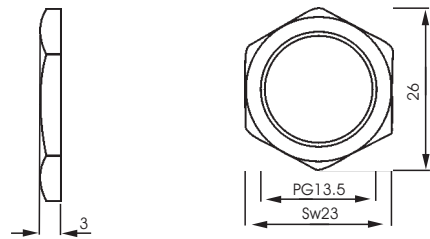


# EURO-STYLE QUICK DISCONNECT ACCESSORIES

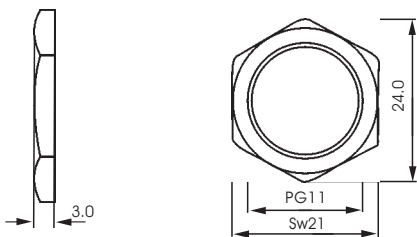
## RMF 9



## RMF 13.5



## RMF11

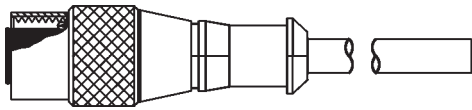


## Technical Data

Fixing nut for chassis plug PG.../9/11/13.5

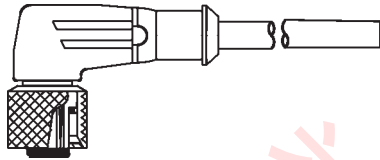
Material: CuZn,brass,nickeled

# MICRO-STYLE INDEX



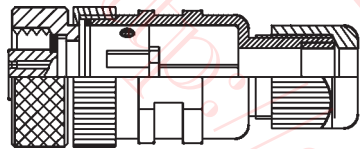
Page:E-02

Micro-style / Female / Straight



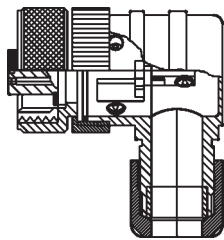
Page:E-03

Micro-style / Male / Right Angle



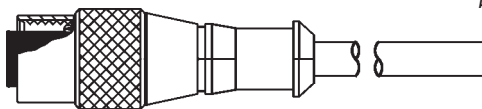
Page:E-04

Micro-style / Female / Straight



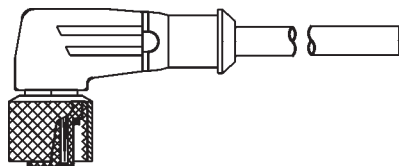
Page:E-05

Micro-style / Male / Right Angle



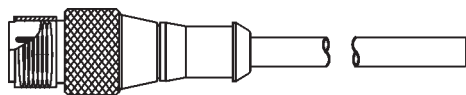
Page:E-06

Micro-style / Female / Straight



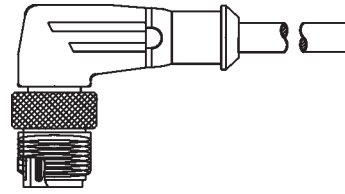
Page:E-07

Micro-style / Male / Right Angle



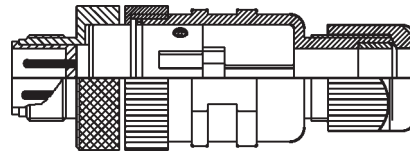
Page:E-08

Micro-style / Male / Straight



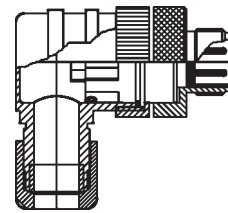
Page:E-09

Micro-style / Male / Straight



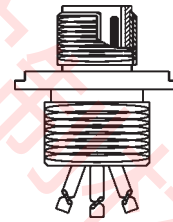
Page:E-10

Micro-style / Male / Straight



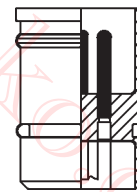
Page:E-11

Micro-style / Male / Right Angle



Page:E-12

Micro-style / Male / Straight



Page:E-13

Micro-style / Male / Straight



Page:E-14

Micro-style / Male / Straight

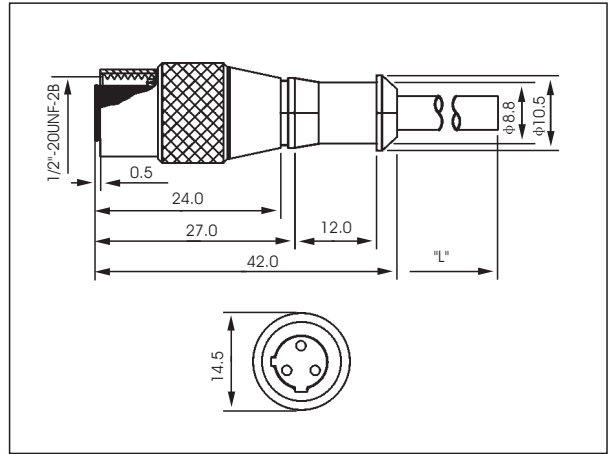
# MICRO-STYLE QUICK DISCONNECT CABLES

## View



- Female Micro-style
- Screw locking with (auto) securing safety nut
- With moulded cable
- PVC offers good resistance to oils and chemicals

## Dimensional data



## Technical Data

Application Class: HNA acc. to DIN 40040  
 (-25 °C / +90 °C / ≤ 100%rF)

Moulded Body: TPU, self-extinguishing

Nominal Power: 4A

Nominal Voltage: 300VAC

Contact: CuZn, brass, pre-nickeled and 0.3 microns gold-plated  
 5poles= CuZn, brass, pre-nickeled and 0.8 microns gold-plated

Body: TPU, self-extinguishing

Securing Safety nut: Nickel plated brass

Protection: IP 68

O-Ring: Viton

Contact Resistance: ≤ 5mΩ

Test Voltage: 3+4poles 2.0 KV eff./60s.  
 5 poles 1.5 KV eff./60s.

Insulation Resistance: > 10<sup>9</sup>Ω

CSA certified: 219967

## Catalog Number

Part-No	Poles	Face View female	Color Code	Conductors		Outer Jacket	
				Guage	Stranding	φ mm	Material
U-FS3TAV152	3		1=green 2=red/black 3=red/white	0.25mm <sup>2</sup>	26 x φ0.13	5.0	PVC
U-FS4TAV162	4		1=red/black 2=red/white 3=red 4=green	0.25mm <sup>2</sup>	26 x φ0.13	5.0	PVC
U-FS5TAV182	5		1=red/white 2=red 3=green 4=red/yellow 5=red/black	0.34mm <sup>2</sup>	26 x φ0.13	5.2	PVC
U-FS6TAV192	6		1=red/white 2=red 3=green 4=red/yellow 5=red/black 6=red/blue	0.25mm <sup>2</sup>	26 x φ0.13	6.3	PVC

Standard length: 2.0 m, 5.0 m, 7.5 m, 10.0 m. Other cable length or cable specifications on request.

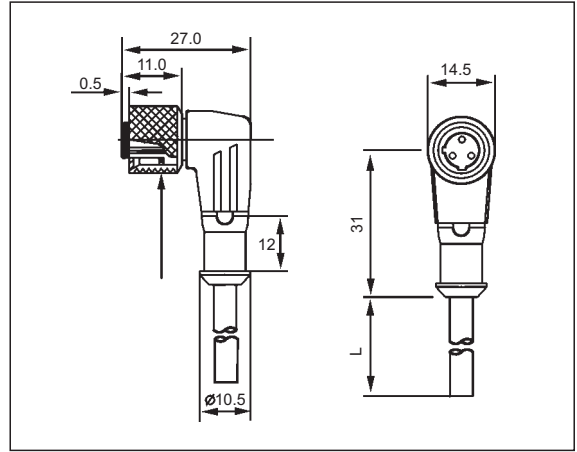
# MICRO-STYLE QUICK DISCONNECT CABLES

## View



- Female Micro-style right-angle style
- Screw locking with (auto) securing safety nut
- With moulded cable
- PVC offers good resistance to oils and chemicals

## Dimensional data



## Technical Data

Application Class: HNA acc. to DIN 40040  
(-25 °C / +90 °C / ≤ 100%rF)

Moulded Body: TPU, self-extinguishing

Nominal Power: 4A

Nominal Voltage: 300VAC

Contact: CuZn, brass, pre-nickel and 0.3 microns gold-plated  
5poles= CuZn, brass, pre-nickel and 0.8 microns gold-plated

Body: TPU, self-extinguishing

Securing Safety nut: Nickel plated brass

Protection: IP 68

O-Ring: Viton

Contact Resistance: ≤ 5 mΩ

Test Voltage: 3+4poles 2.0 KV eff./60s.  
5 poles 1.5 KV eff./60s.

Insulation Resistance: > 10<sup>9</sup> Ω

CSA certified: 219967

## Catalog Number

Part-No	Poles	Face View female	Color Code	Conductors		Outer Jacket	
				Guage	Stranding	φ mm	Material
U-FA3TAV152	3		1=green 2=red/black 3=red/white	0.25mm <sup>2</sup>	26 x φ 0.13	5.0	PVC
U-FA4TAV162	4		1=red/black 2=red/white 3=red 4=green	0.25mm <sup>2</sup>	26 x φ 0.13	5.0	PVC
U-FA5TAV182	5		1=red/white 2=red 3=green 4=red/yellow 5=red/black	0.34mm <sup>2</sup>	26 x φ 0.13	5.2	PVC
U-FA6TAV192	6		1=red/white 2=red 3=green 4=red/yellow 5=red/black 6=red/blue	0.25mm <sup>2</sup>	26 x φ 0.13	6.3	PVC

Standard length: 2.0 m, 5.0 m, 7.5 m, 10.0 m. Other cable length or cable specifications on request.

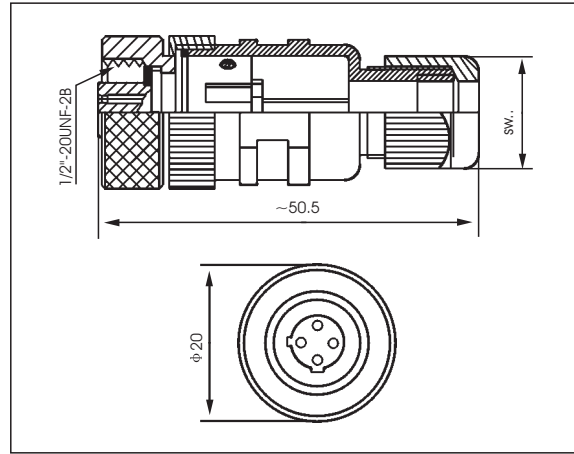
# MICRO-STYLE QUICK DISCONNECT RECEPTACLES

## View



- Micro-style with locknut
- Nylon molded connector shell
- Convenient screw terminations

## Dimensional data



## Technical Data

Application Class:	HNA acc. to DIN 40040 (-40 °C / +90 °C / ≤ 100%rF)	Body:	PA, self-extinguishing
Moulded Body:	PA, self-extinguishing	Locknut:	Nickel plated brass
Nominal Power:	4A	Mode of Connection:	Screw clamps
Nominal Voltage:	250VAC	Protection:	IP 67
O-ring:	NBR	Test Voltage:	1.25 KV eff./60s.
Contact:	CuZn, 2-4um CuSnZn (OPTALLOY)	Insulation Resistance:	> 10 <sup>9</sup> Ω

## Catalog Number

Part-No	Poles	Face View female	Max. Wire section	Screw Joint for cable	SW..
U-FS3KA/PG7	3		max. 0.75 mm <sup>2</sup>	PG 7 φ4.0 - 6.0 mm	15
U-FS3KA/PG9				PG 9 φ6.0 - 8.0 mm	19
U-FS4KA/PG7	4		max. 0.75 mm <sup>2</sup>	PG 7 φ4.0 - 6.0 mm	15
U-FS4KA/PG9				PG 9 φ6.0 - 8.0 mm	19

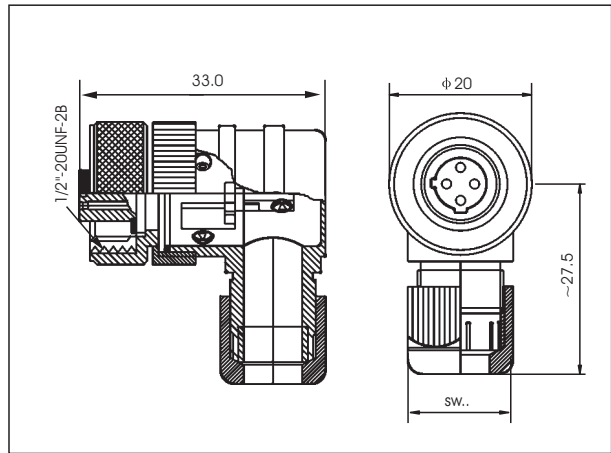
# MICRO-STYLE QUICK DISCONNECT RECEPTACLES

## View



- Female micro-style with locknut
- Right-angle style
- Nylon molded connector shell
- Convenient screw terminations

## Dimensional data



## Technical Data

Application Class: HNA acc. to DIN 40040  
(-40 °C / +90 °C ≤ 100%rF)

Moulded Body: PA, self-extinguishing

Nominal Power: 4A

Nominal Voltage: 250VAC

O-ring: NBR

Contact: CuZn, 2-4um CuSnZn (OPTALLOY)

Body: PA, self-extinguishing

Locknut: Nickel plated brass

Mode of Connection: Screw clamps

Protection: IP 67

Test Voltage: 1.25 KV eff./60s.

Insulation Resistance: > 10<sup>9</sup>Ω

## Catalog Number

Part-No	Poles	Face View female	Max. Wire section	Screw Joint for cable	SW..
U-FA3KA/PG7	3		Max 0.75 mm <sup>2</sup>	PG7 φ 4.0-6.0mm	15
U-FA3KA/PG9				PG9 φ 6.0-8.0mm	19
U-FA4KA/PG7	4		Max 0.75 mm <sup>2</sup>	PG7 φ 4.0-6.0mm	15
U-FA4KA/PG9				PG9 φ 6.0-8.0mm	19

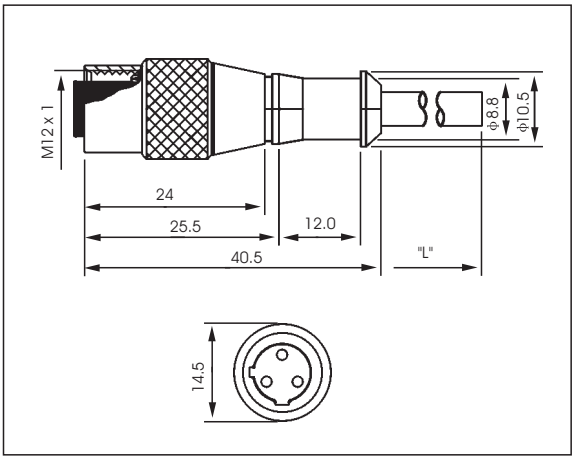
# MICRO-STYLE QUICK DISCONNECT CABLES

## View



- Female Micro-style
- Screw locking with(auto)securing safety nut
- locking nut with thread M12x1
- With moulded cable
- Pvc offers good resistance to oils and chemicals

## Dimensional data

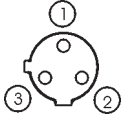


## Technical Data

Application Class: HNA acc. to DIN 40040 (-25 °C / +90 °C / ≤ 100%rF)  
 Moulded Body: TPU, self-extinguishing  
 Nominal Power: 4A  
 Nominal Voltage: 300VAC  
 O-ring: Viton  
 Contact: CuZn, brass, pre-nickeled, tin-plated and 0.3 microns gold-plated

Body: TPU, self-extinguishing  
 Securing Safety nut: Nickel plated brass  
 Protection: IP 68  
 Contact Resistance: ≤ 5m Ω  
 Test Voltage: 2.0 KV eff./60s.  
 Insulation Resistance: > 10<sup>9</sup> Ω  
 CSA certified: 219967

## Catalog Number

Part-No	Poles	Face View female	Color Code	Conductors		Outer Jacket	
				Guage	Stranding	φ mm	Material
U-FS3TAV262/M12	3		1=green 2=red/black 3=red/white	0.34mm <sup>2</sup>	42xφ0.10	5.0	PVC

Standard Length: 2.0 m, 5.0 m, 7.5 m, 10.0 m. Other cable length or cable specifications on request.

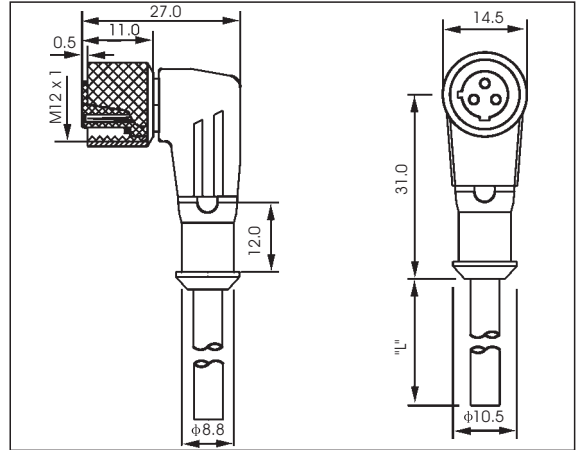
# MICRO-STYLE QUICK DISCONNECT CABLES

## View



- Female Micro-style
- Right-angle style
- Screw locking with (auto) securing safety nut
- Locking nut with thread M12X1
- with moulded cable

## Dimensional data



## Technical Data

Application Class: HNA acc. to DIN 40040  
 (-25 °C / +90 °C / ≤ 100%rF)

Moulded Body: TPU, self-extinguishing

Nominal Power: 4A

Nominal Voltage: 300VAC

O-ring: Viton

Contact: CuZn, brass, pre-nickeled, tin-plated and 0.3 microns gold-plated

Body: TPU, self-extinguishing

Securing Safety nut: Nickel plated brass

Protection: IP 68

Contact Resistance: ≤ 5m Ω

Test Voltage: 2.0 KV eff./60s.

Insulation Resistance: > 10<sup>9</sup>Ω

CSA certified: 219967

## Catalog Number

Part-No	Poles	Face View female	Color Code	Conductors		Outer Jacket	
				Guage	Stranding	φ mm	Material
U-FA3TAV262/M12	3		1 = yellow/green 2 = black 3 = blue	0.34mm <sup>2</sup>	42xφ0.10	5.0	PVC

Standard length: 2.0 m, 5.0 m, 7.5 m, 10.0 m. Other cable length or cable specifications on request.



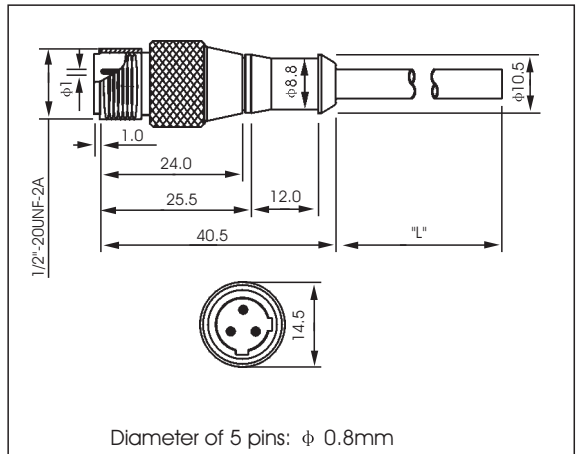
# MICRO-STYLE QUICK DISCONNECT CABLES

## View



- Micro-style
- Screw locking with (auto) securing safety nut
- PVC offers good resistance to oils and chemicals

## Dimensional data



## Technical Data

Application Class:	HNA acc. to DIN 40040 (-25 °C / +90 °C / $\leq$ 100%rF)	Body:	TPU, self-extinguishing
Moulded Body:	TPU, self-extinguishing	Securing Safety Nut:	Nickel plated brass
Nominal Power:	4A	Protection:	IP 68
Nominal Voltage:	300VAC	Test Voltage:	2.0 KV eff./60s.
Contact:	CuZn, brass, pre-nickel and 0.8 microns gold-plated	Insulation Resistance:	$> 10^9 \Omega$
		CSA certified:	219967

## Catalog Number

Part-No	Poles	Face View male	Color Code	Conductors		Outer Jacket	
				Guage	Stranding	$\phi$ mm	Material
U-MS3TAV152	3		1=green 2=red/black 3=red/white	0.25mm <sup>2</sup>	26 x $\phi$ 0.13	5.0	PVC
U-MS4TAV162	4		1=red/black 2=red/white 3=red 4=green	0.25mm <sup>2</sup>	26 x $\phi$ 0.13	5.0	PVC
U-MS5TAV182	5		1=red/white 2=red 3=green 4=red/yellow 5=red/black	0.34mm <sup>2</sup>	26 x $\phi$ 0.13	5.2	PVC
U-MS6TAV192	6		1=red/white 2=red 3=green 4=red/yellow 5=red/black 6=red/blue	0.25mm <sup>2</sup>	26 x $\phi$ 0.13	6.3	PVC

Standard length: 2.0 m, 5.0 m, 7.5 m, 10.0 m. Other cable length or cable specifications on request.

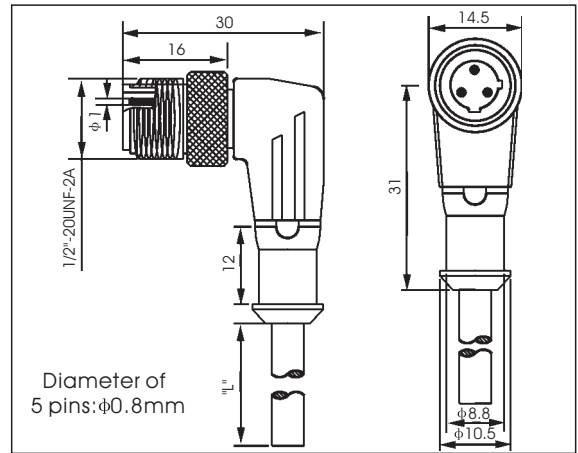
# MICRO-STYLE QUICK DISCONNECT CABLES

## View



- Micro-style
- Right-angle style
- screw locking with(auto) securing safety nut
- With moulded cable
- Pvc offers good resistance to oils and chemicals

## Dimensional data



## Technical Data

Application Class: HNA acc. to DIN 40040  
(-25 °C /+90 °C / ≤ 100%rF)

Moulded Body: TPU,self-extinguishing

Nominal Power: 4A

Nominal Voltage: 300VAC

Contact: CuZn,brass,pre-nickel and 0.8 microns gold-plated

Body: TPU,self-extinguishing

Securing Safety nut: Nickel plated brass

Protection: IP 68

Test Voltage: 2.0 KV eff./60s.

Insulation Resistance: > 10<sup>9</sup>Ω

CSA certified: 219967

## Catalog Number

Part-No	Poles	Face View male	Color Code	Conductors		Outer Jacket	
				Guage	Stranding	φ mm	Material
U-MA3TAV152	3		1=green 2=red/black 3=red/white	0.25mm <sup>2</sup>	26 x φ 0.13	5.0	PVC
U-MA4TAV162	4		1=red/black 2=red/white 3=red 4=green	0.25mm <sup>2</sup>	26 x φ 0.13	5.0	PVC
U-MA5TAV182	5		1=red/white 2=red 3=green 4=red/yellow 5=red/black	0.34mm <sup>2</sup>	26 x φ 0.13	5.2	PVC

Standard length: 2.0 m, 5.0 m, 7.5 m, 10.0 m. Other cable length or cable specifications on request.

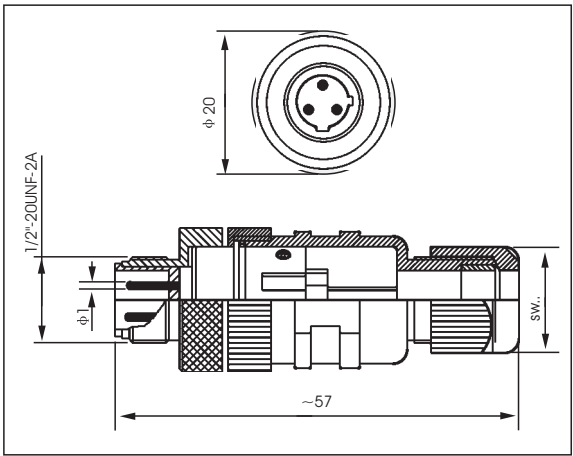
# MICRO-STYLE QUICK DISCONNECT RECEPTACLES

## View



- Micro-style
- Nylon molded connector shell
- Convenient screw terminations

## Dimensional data



## Technical Data

Application class:	HNA acc. to DIN 40040 (-25 °C / +90 °C / ≤ 100%rF)	Body:	TPU, self-extinguishing
Moulded Body:	TPU, self-extinguishing	Locknut:	Nickel plated brass
Nominal Power:	4A	Mode of Connection:	Screw clamps
Nominal Voltage:	250VAC	Protection:	IP 67
O-ring:	NBR	Test Voltage:	1.25 KV eff./60s.
Contact:	CuZn, 2-4um CuSnZn	Insulation Resistance:	> 10 <sup>9</sup> Ω

## Catalog Number

Part-No	Poles	Face View male	Max. Wire section	Screw Joint for cable	SW..
U-MS3KA/PG7	3	contact 1 leading 	max. 0.75 mm <sup>2</sup>	PG7 φ4.0 - 6.0mm	15
U-MS3KA/PG9				PG9 φ6.0 - 8.0mm	19
U-MS4KA/PG7	4		max. 0.75 mm <sup>2</sup>	PG7 φ4.0 - 6.0mm	15
U-MS4KA/PG9				PG9 φ6.0 - 8.0mm	19

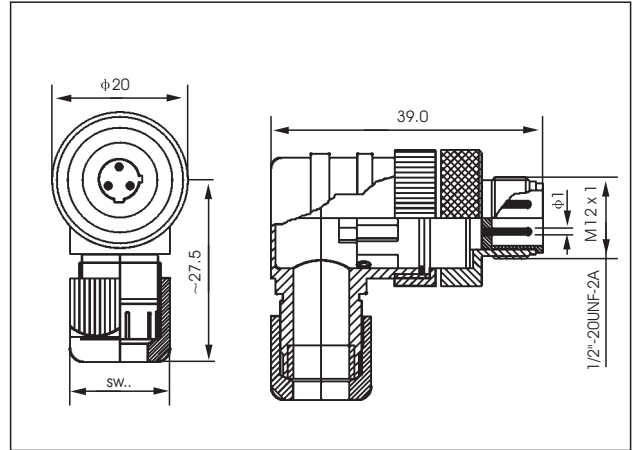
# MICRO-STYLE QUICK DISCONNECT RECEPTACLES

## View



- Micro-style with locknut, right-angle style.
- Convenient screw terminations
- Nylon molded connector shell

## Dimensional data



## Technical Data

Application Class: HNA acc. to DIN 40040  
(-25 °C / +90 °C / ≤ 100%rF)

Moulded Body: PA, self-extinguishing

Nominal Power: 4A

Nominal Voltage: 250VAC

O-ring: NBR

Contact: CuZn, 2-4um CuSnZn

Body: PA, self-extinguishing

Locknut: Nickel plated brass

Mode of Connection: Screw clamps

Protection: IP 67

Test Voltage: 1.25 KV eff./60s.

Insulation Resistance: > 10<sup>9</sup>Ω

## Catalog Number

Part-No	Poles	Face View male	Max. Wire section	Screw Joint for cable	SW..
U-MA3KA/PG7	3	contact 1 leading 	Max. 0.75 mm <sup>2</sup>	PG7 φ4.0 - 6.0 mm	15
U-MA3KA/PG9				PG9 φ6.0 - 8.0 mm	19
U-MA4KA/PG7	4		Max. 0.75 mm <sup>2</sup>	PG7 φ4.0 - 6.0 mm	15
U-MA4KA/PG9				PG9 φ6.0 - 8.0 mm	19

Standard length: 2.0 m, 5.0 m, 7.5 m, 10.0 m. Other cable length or cable specifications on request .

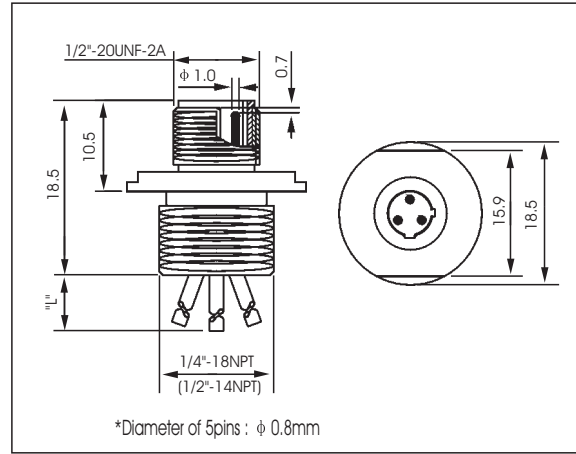
# MICRO-STYLE QUICK DISCONNECT CABLES

## View



- Micro-style receptacle
- Front mounting
- With wire ends
- Thread receptacle side 1/4"-18NPT or 1/2"-14NPT

## Dimensional data



## Technical Data

Application Class:	HNA acc. to DIN 40040 (-25 °C / +90 °C / ≤ 100%rF)	Body:	TPU, self-extinguishing
Moulded Body:	TPU, self-extinguishing	Receptacle Housing:	Nickel plated brass
Nominal Power:	4A	O-Ring:	Viton
Nominal Voltage:	300V AC	Protection:	IP 68
Contact:	CuZn, brass ,pre-nickled and 0.8 microns gold-plated	Test Voltage:	2.0 KV eff./60s.
		Insulation Resistance:	> 10 <sup>9</sup> Ω
		CSA certified:	219967

## Catalog Number

Part-No	Poles	Face View male	Color Code	Conductors		Conductor insulation φ mm(single)
				Guage	Stranding	
U-MS3FA/0.5/ 1/4"-18NPT	3	contact 1 leading 	1=green 2=red/black 3=red/white	0.34mm <sup>2</sup>	42x φ 0.10	1.6
U-MS3FA/0.5/ 1/2"-14NPT						
U-MS4FA/0.5/ 1/4"-18NPT	4	contact 4 leading 	1=red/black 2=red/white 3=red 4=green	0.34mm <sup>2</sup>	42x φ 0.10	1.6
U-MS4FA/0.5/ 1/2"-14NPT						
U-MS5FA/0.5/ 1/4"-18NPT	5	contact 3 leading 	1=red/white 2=red 3=green 4=red/yellow 5=red/black	0.34mm <sup>2</sup>	42x φ 0.10	1.6
U-MS5FA/0.5/ 1/2"-14NPT						

Standard length: 0.5m,2.0 m. Other cable length or cable specifications on request.

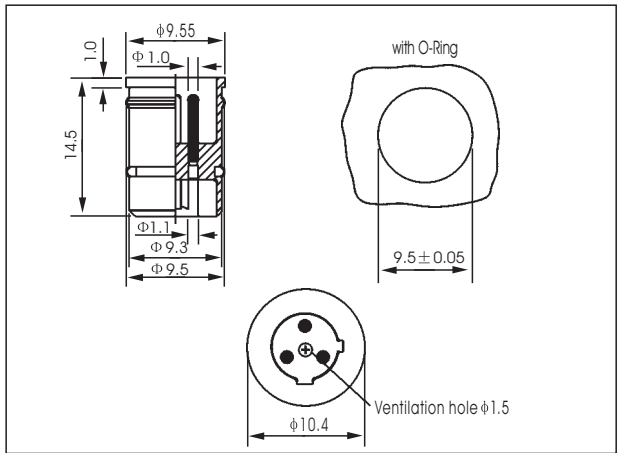
# MICRO-STYLE QUICK DISCONNECT RECEPTACLES

## View



- Micro-style insert for proximity switch M12, -Type UL (with ventilation hole) -
- Max.wire section:  
Single conductor 0.75 mm<sup>2</sup> (AWG 18),stranded wire 0.50 mm<sup>2</sup> (AWG 20)

## Dimensional data



## Technical Data

Application class:	HNA acc. to DIN 40040 (-25 °C /+90 °C / ≤ 100%rF)	O-Ring:	Viton
Moulded body:	PA, self-extinguishing	Protection:	IP 68
Nominal power:	4A	Test voltage:	3+4poles 2.0 KV eff./60s. 5poles 2.0 KV eff./60s.
Nominal voltage:	300VAC	Insulation resistance:	>10 <sup>9</sup> Ω
Contact:	CuZn,brass ,pre-nickeled and 0.8 microns gold-plated	CSA certified:	219967

## Catalog Number

Part-No	Poles	Face View male	Shaft-φ mm	Ventilation Hole φ mm
U-MS3	3	contact 1 leading 	9.55 mm/9.4mm	—
U-MS3/UL	3	contact 1 leading 	9.55 mm/9.4mm	1.5mm
U-MS4	4	contact 4 leading 	9.55 mm/9.4mm	—
U-MS5	5	contact 3 leading 	9.55 mm/9.4mm	—

Standard length: 2.0 m, 5.0 m, 7.5 m, 10.0 m. Other cable length or cable specifications on request.

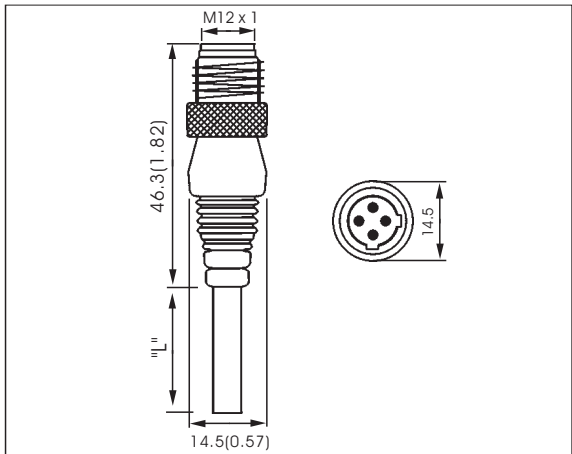
# MICRO-STYLE QUICK DISCONNECT CABLES

## View



- Micro-style
- Screw locking with (auto) securing Safety nut
- With moulded Cable

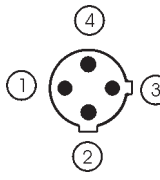
## Dimensional data



## Technical Data

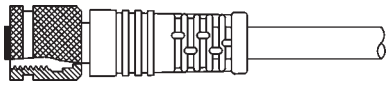
Application Class:	HNA acc. to DIN 40040 (-25°C / +90 °C / ≤ 100%rF)	Body:	PVC, self-extinguishing
Moulded Body:	PVC, self-extinguishing	Securing Safety Nut:	Nickel plated brass
Nominal Power:	4A	Protection:	IP 68
Nominal Voltage:	300VAC	Test Voltage:	2.0 KV eff./60s.
Contact:	CuZn, brass, pre-nickel and 0.8 microns gold-plated	Insulation Resistance:	> 10 <sup>9</sup> Ω
		CSA certified:	219967

## Catalog Number

Part-No	Poles	Face View male	Color Code	Conductors		Outer Jacket	
				Guage	Stranding	φ mm	Material
U-MS4/3TAV722/M12	4		1=red/black 2=red/white 3=red	0.34mm <sup>2</sup>	7 x φ0.25	6.2	PVC

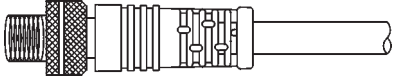
Standard length: 2.0 m and 5.0 m. Other cable length or cable specifications on request.

# ULTRA MINI-STYLE INDEX



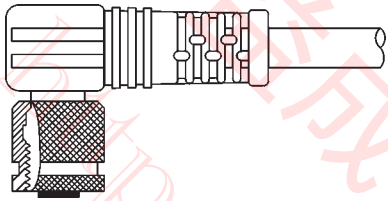
Page:A-02

Ultra Mini-style/Female/Straight



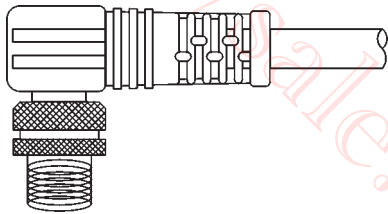
Page:A-03

Ultra Mini-style/Male/Straight



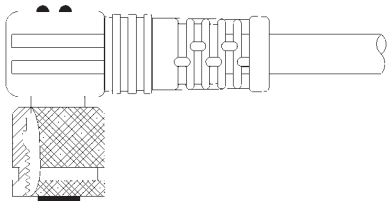
Page:A-04

Ultra Mini-style/Female/Right Angle



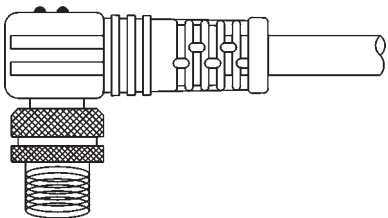
Page:A-05

Ultra Mini-style/Male/Right Angle



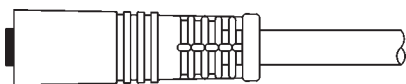
Page:A-06

Ultra Mini-style/Female Right Angle/With LED



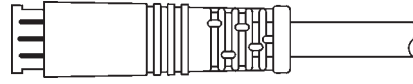
Page:A-08

Ultra Mini-style/Male Right Angle/With LED



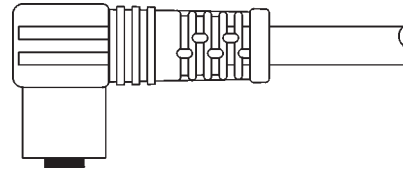
Page:A-10

Ultra Mini-style/Female/Straight



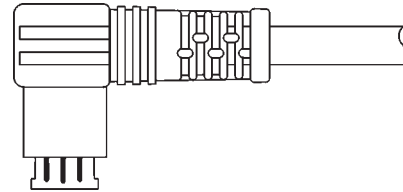
Page:A-11

Ultra Mini-style/Male/Straight



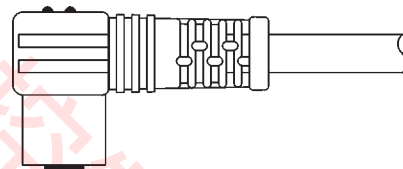
Page:A-12

Ultra Mini-style/Female/Right Angle



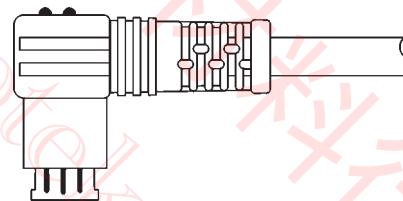
Page:A-13

Ultra Mini-style/Male/Right Angle



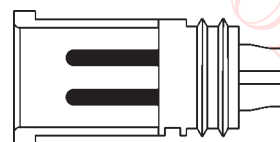
Page:A-14

Ultra Mini-style/Female Right Angle/With LED



Page:A-16

Ultra Mini-style/Male Right Angle/With LED



Page:A-18

Plug/Male



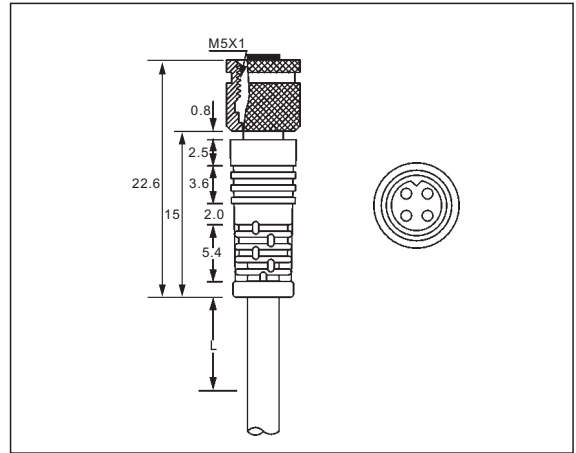
# ULTRA MINI-STYLE QUICK DISCONNECT CABLES

## View



- Female ultra mini-style
- Straight
- Screw locking with (auto) securing safety nut
- With moulded cable

## Dimensional data



## Technical Data

Application Class: HNE acc.to DIN 40040  
(-25°C/+90°C/≤75%rF)

Moulded Body: TPU, self-extinguishing

Nominal Power: 4A

Nominal Voltage: 60VAC/75VDC

Contact: CuZn, pre-nickeled and  
0.8microns gold-plated

O-Ring: Viton

Body: TPU, self-extinguishing

Securing Safety Nut: Nickel plated brass

Protection: IP 67

Contact Resistance: ≤5mΩ

Insulation Group: C acc.to VDE 0110

Test Voltage: 1.5KV eff./60s.

Insulation Resistance: >10<sup>9</sup>Ω

## Catalog Number

Part-No	Poles	Face View Female	Color Code	Conductors		Outer Jacket	
				Guage	Stranding	φ mm	Material
M-FS4/3TZV1182	4		1=brown 2=- 3=blue 4=black	0.18mm <sup>2</sup>	36xφ0.08	3.0	PVC
M-FS4/3TZY1192	4		1=brown 2=- 3=blue 4=black	0.18mm <sup>2</sup>	36xφ0.08	3.0	PUR/PVC
M-FS4TZV1202	4		1=brown 2=white 3=blue 4=black	0.18mm <sup>2</sup>	36xφ0.08	3.0	PVC
M-FS4TZY1212	4		1=brown 2=white 3=blue 4=black	0.18mm <sup>2</sup>	36xφ0.08	3.0	PUR/PVC

Standard length: 2.0 m, 5.0 m, 7.5 m, 10.0 m. Other cable length or cable specifications on request.

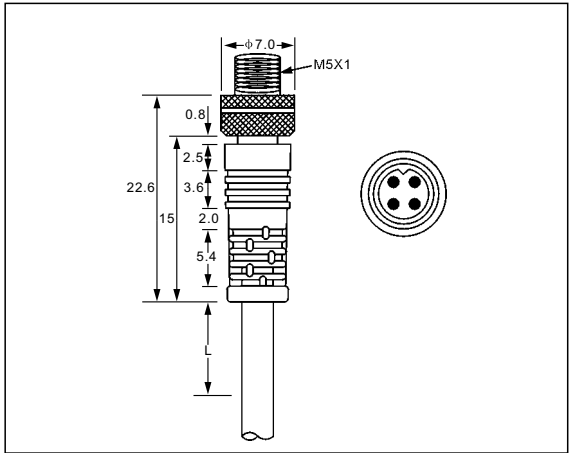
# ULTRA MINI-STYLE QUICK DISCONNECT CABLES

## View



- Male ultra mini-style
- Straight
- Screw locking with (auto) securing safety nut
- With moulded cable

## Dimensional data



## Technical Data

Application Class: HNE acc.to DIN 40040 (-25°C/+90°C/≤75%rF) Moulded Body: TPU, self-extinguishing Nominal Power: 4A Nominal Voltage: 60VAC/75VDC Contact: CuZn, pre-nickeled and 0.8microns gold-plated O-Ring: Viton	Body: TPU, self-extinguishing Securing Safety Nut: Nickel plated brass Protection: IP 67 Contact Resistance: ≤5m Ω Insulation Group: C acc.to VDE 0110 Test Voltage: 1.5KV eff./60s. Insulation Resistance: >10 <sup>9</sup> Ω
---	--

## Catalog Number

Part-No	Poles	Face View male	Color Code	Conductors		Outer Jacket	
				Guage	Stranding	φ mm	Material
M-MS4/3TZV1182	4		1=brown 2=- 3=blue 4=black	0.18mm <sup>2</sup>	36xφ0.08	3.0	PVC
M-MS4/3TZY1192	4		1=brown 2=- 3=blue 4=black	0.18mm <sup>2</sup>	36xφ0.08	3.0	PUR/PVC
M-MS4TZV1202	4		1=brown 2=white 3=blue 4=black	0.18mm <sup>2</sup>	36xφ0.08	3.0	PVC
M-MS4TZY1212	4		1=brown 2=white 3=blue 4=black	0.18mm <sup>2</sup>	36xφ0.08	3.0	PUR/PVC

Standard length: 2.0 m, 5.0 m, 7.5 m, 10.0 m. Other cable length or cable specifications on request.

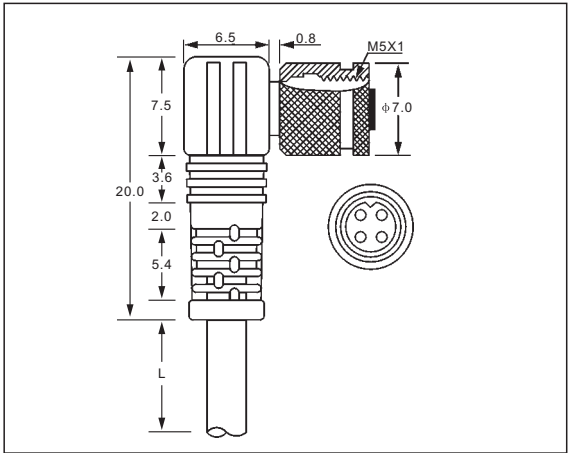
# ULTRA MINI-STYLE QUICK DISCONNECT CABLES

## View



- Female ultra mini-style
- Right angle
- Screw locking with (auto) securing safety nut
- With moulded cable

## Dimensional data



## Technical Data

Application Class: HNE acc.to DIN 40040 (-25°C/+90°C/≤75%rF)  
 Moulded Body: TPU, self-extinguishing  
 Nominal Power: 4A  
 Nominal Voltage: 60VAC/75VDC  
 Contact: CuZn, pre-nickeled and 0.8microns gold-plated  
 O-Ring: Viton

Body: TPU, self-extinguishing  
 Securing Safety Nut: Nickel plated brass  
 Protection: IP 67  
 Contact Resistance: ≤5m Ω  
 Insulation Group: C acc.to VDE 0110  
 Test Voltage: 1.5KV eff./60s.  
 Insulation Resistance: >10<sup>9</sup> Ω

## Catalog Number

Part-No	Poles	Face View Female	Color Code	Conductors		Outer Jacket	
				Guage	Stranding	φ mm	Material
M-FA4/3TZV1182	4		1=brown 2=- 3=blue 4=black	0.18mm <sup>2</sup>	36xφ0.08	3.0	PVC
M-FA4/3TZY1192	4		1=brown 2=- 3=blue 4=black	0.18mm <sup>2</sup>	36xφ0.08	3.0	PUR/PVC
M-FA4TZV1202	4		1=brown 2=white 3=blue 4=black	0.18mm <sup>2</sup>	36xφ0.08	3.0	PVC
M-FA4TZY1212	4		1=brown 2=white 3=blue 4=black	0.18mm <sup>2</sup>	36xφ0.08	3.0	PUR/PVC

Standard length: 2.0 m, 5.0 m, 7.5 m, 10.0 m. Other cable length or cable specifications on request.

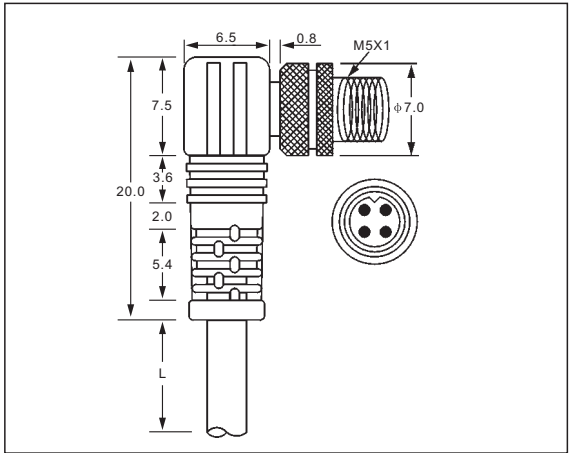
# ULTRA MINI-STYLE QUICK DISCONNECT CABLES

## View



- Male ultra mini-style
- Right angle
- Screw locking with (auto) securing safety nut
- With moulded cable

## Dimensional data



## Technical Data

<p>Application Class: HNE acc.to DIN 40040 (-25°C/+90°C/≤75%rF)</p> <p>Moulded Body: TPU, self-extinguishing</p> <p>Nominal Power: 4A</p> <p>Nominal Voltage: 60VAC/75VDC</p> <p>Contact: CuZn, pre-nickeled and 0.8microns gold-plated</p> <p>O-Ring: Viton</p>	<p>Body: TPU, self-extinguishing</p> <p>Securing Safety Nut: Nickel plated brass</p> <p>Protection: IP 67</p> <p>Contact Resistance: ≤5m Ω</p> <p>Insulation Group: C acc.to VDE 0110</p> <p>Test Voltage: 1.5KV eff./60s.</p> <p>Insulation Resistance: &gt;10<sup>9</sup> Ω</p>
--	---

## Catalog Number

Part-No	Poles	Face View male	Color Code	Conductors		Outer Jacket	
				Guage	Stranding	φ mm	Material
M-MA4/3TZV1182	4		1=brown 2=- 3=blue 4=black	0.18mm <sup>2</sup>	36xφ0.08	3.0	PVC
M-MA4/3TZY1192	4		1=brown 2=- 3=blue 4=black	0.18mm <sup>2</sup>	36xφ0.08	3.0	PUR/PVC
M-MA4TZV1202	4		1=brown 2=white 3=blue 4=black	0.18mm <sup>2</sup>	36xφ0.08	3.0	PVC
M-MA4TZY1212	4		1=brown 2=white 3=blue 4=black	0.18mm <sup>2</sup>	36xφ0.08	3.0	PUR/PVC

Standard length: 2.0 m, 5.0 m, 7.5 m, 10.0 m. Other cable length or cable specifications on request.

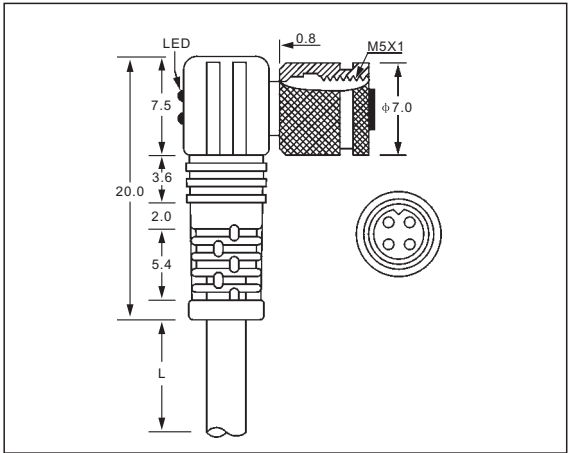
# ULTRA MINI-STYLE QUICK DISCONNECT CABLES

## View



- Female ultra mini-style
- Right angle
- Screw locking with (auto) securing safety nut
- With moulded cable

## Dimensional data



## Technical Data

Application Class: HNE acc.to DIN 40040 (-25°C/+90°C/≤75%rF)  
 Moulded Body: TPU, self-extinguishing  
 Nominal Power: 4A  
 Nominal Voltage: 60VAC/75VDC  
 Contact: CuZn, pre-nickeled and 0.8microns gold-plated  
 O-Ring: Viton

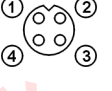
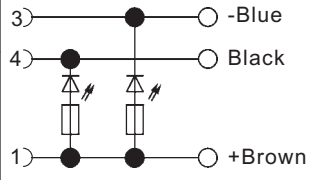

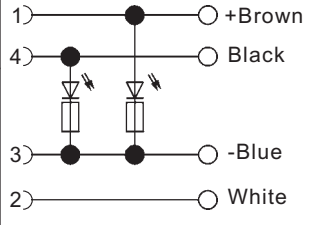
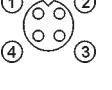
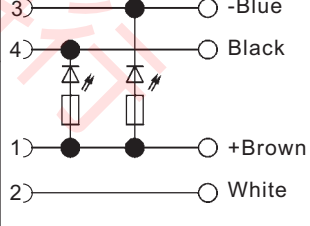
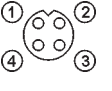
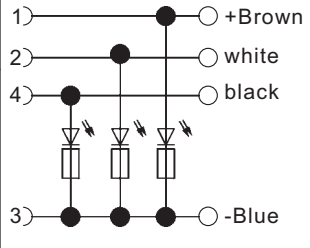
Body: TPU, self-extinguishing  
 Securing Safety Nut: Nickel plated brass  
 Protection: IP 67  
 Contact Resistance: ≤5m Ω  
 Insulation Group: C acc.to VDE 0110  
 Test Voltage: 1.5KV eff./60s.  
 Insulation Resistance: >10<sup>9</sup> Ω

## Catalog Number

Part-No	Poles	Face View Female	Color Code	Conductors		Outer Jacket		Circuit LED-indicator
				Guage	Stranding	φ mm	Material	
M-FA4/3TPV1182/A	4		1=brown 2=- 3=blue 4=black	0.18mm <sup>2</sup>	36xφ0.08	3.0	PVC	A type pnp-normally open =yellow-green 
M-FA4/3TPY1192/A							PUR/PVC	
M-FA4/3TPV1182/H	4		1=brown 2=black 3=blue 4=-	0.18mm <sup>2</sup>	36xφ0.08	3.0	PVC	H type pnp-normally closed =yellow-green 
M-FA4/3TPY1192/H							PUR/PVC	

Standard length: 2.0 m, 5.0 m, 7.5 m, 10.0 m. Other cable length or cable specifications on request.

# ULTRA MINI-STYLE QUICK DISCONNECT CABLES

Catalog Number								
Part-No	Poles	Face View Female	Color Code	Conductors		Outer Jacket		Circuit LED-indicator
				Guage	Stranding	φ mm	Material	
M-FA4/3TNV1182/C	4		1=brown 2=- 3=blue 4=black	0.18mm <sup>2</sup>	36xφ0.08	3.0	PVC	<p>C type npn-normally open =yellow-green</p> 
M-FA4/3TNY1192/C							PUR/PVC	
M-FA4TPV1202/F	4		1=brown 2=white 3=blue 4=black	0.18mm <sup>2</sup>	36xφ0.08	3.0	PVC	<p>F type pnp-normally closed/open =yellow-green</p> 
M-FA4TPY1212/F							PUR/PVC	
M-FA4TNV1202/G	4		1=brown 2=white 3=blue 4=black	0.18mm <sup>2</sup>	36xφ0.08	3.0	PVC	<p>G type npn-normally closed/open =yellow-green</p> 
M-FA4TNY1212/G							PUR/PVC	
M-FA4TPV1202/P	4		1=brown 2=white 3=blue 4=black	0.18mm <sup>2</sup>	36xφ0.08	3.0	PVC	<p>P type pnp-normally closed/open =yellow-yellow-green</p> 
M-FA4TPY1212/P							PUR/PVC	

Standard length: 2.0 m, 5.0 m, 7.5 m, 10.0 m. Other cable length or cable specifications on request.

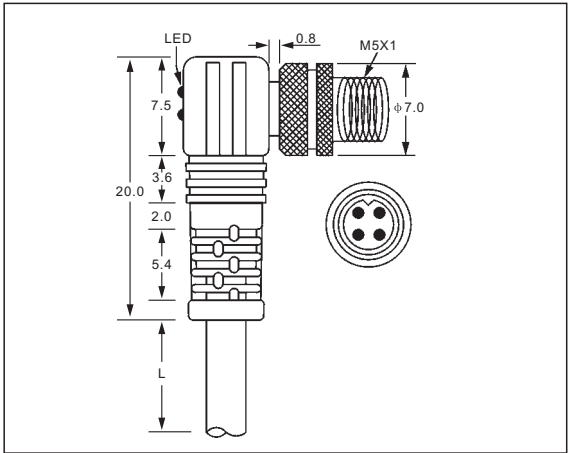
# ULTRA MINI-STYLE QUICK DISCONNECT CABLES

## View



- Male ultra mini-style
- Right angle
- Screw locking with (auto) securing safety nut
- With moulded cable

## Dimensional data



## Technical Data

Application Class: HNE acc.to DIN 40040 (-25°C/+90°C/≤75%rF)  
 Moulded Body: TPU, self-extinguishing  
 Nominal Power: 4A  
 Nominal Voltage: 60VAC/75VDC  
 Contact: CuZn, pre-nickeled and 0.8microns gold-plated  
 O-Ring: Viton

Body: TPU, self-extinguishing  
 Securing Safety Nut: Nickel plated brass  
 Protection: IP 67  
 Contact Resistance: ≤5m Ω  
 Insulation Group: C acc.to VDE 0110  
 Test Voltage: 1.5KV eff./60s.  
 Insulation Resistance: >10<sup>9</sup> Ω

## Catalog Number

Part-No	Poles	Face View Male	Color Code	Conductors		Outer Jacket		Circuit LED-indicator	
				Guage	Stranding	φ mm	Material		
M-MA4/3TPV1182/A	4		1=brown 2=- 3=blue 4=black	0.18mm <sup>2</sup>	36xφ0.08	3.0	PVC	<p>A type pnp-normally open =yellow-green</p>	
M-MA4/3TPY1192/A							PUR/PVC		
M-MA4/3TPV1182/H	4		1=brown 2=black 3=blue 4=-	0.18mm <sup>2</sup>	36xφ0.08	3.0	PVC		<p>H type pnp-normally closed =yellow-green</p>
M-MA4/3TPY1192/H							PUR/PVC		

Standard length: 2.0 m, 5.0 m, 7.5 m, 10.0 m. Other cable length or cable specifications on request.

# ULTRA MINI-STYLE QUICK DISCONNECT CABLES

Catalog Number								
Part-No	Poles	Face View Male	Color Code	Conductors		Outer Jacket		Circuit LED-indicator
				Guage	Stranding	φ mm	Material	
M-MA4/3TNV1182/C	4		1=brown 2=- 3=blue 4=black	0.18mm <sup>2</sup>	36xφ0.08	3.0	PVC	<p>C type npn-normally open =yellow-green</p>
M-MA4/3TNY1192/C							PUR/PVC	
M-MA4TPV1202/F	4		1=brown 2=white 3=blue 4=black	0.18mm <sup>2</sup>	36xφ0.08	3.0	PVC	<p>F type pnp-normally closed/open =yellow-green</p>
M-MA4TPY1212/F							PUR/PVC	
M-MA4TNV1202/G	4		1=brown 2=white 3=blue 4=black	0.18mm <sup>2</sup>	36xφ0.08	3.0	PVC	<p>G type npn-normally closed/open =yellow-green</p>
M-MA4TNY1212/G							PUR/PVC	
M-MA4TPV1202/P	4		1=brown 2=white 3=blue 4=black	0.18mm <sup>2</sup>	36xφ0.08	3.0	PVC	<p>P type pnp-normally closed/open =yellow-yellow-green</p>
M-MA4TPY1212/P							PUR/PVC	

Standard length: 2.0 m, 5.0 m, 7.5 m, 10.0 m. Other cable length or cable specifications on request.



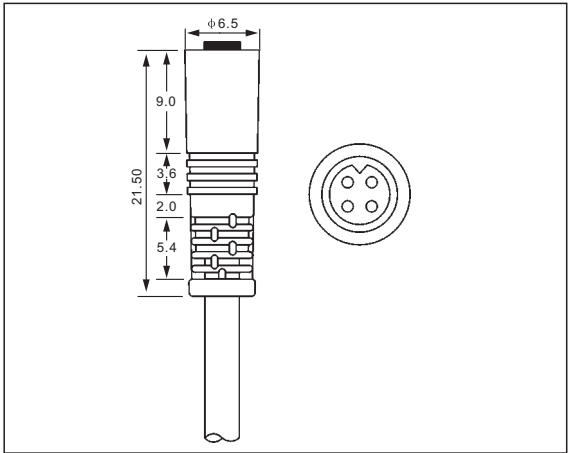
# ULTRA MINI-STYLE QUICK DISCONNECT CABLES

## View



- Female ultra mini-style
- Straight
- PUR/PVC offers superior resistance to oils and chemicals and abrasions
- With moulded cable

## Dimensional data



## Technical Data

Application Class: HNE acc.to DIN 40040 (-25°C/+90°C/≤75%rF) Moulded Body: TPU, self-extinguishing Nominal Power: 4A Nominal Voltage: 60VAC/75VDC Contact: CuZn, pre-nickeled and 0.8microns gold-plated O-Ring: Viton	Body: TPU, self-extinguishing Securing Safety Nut: Nickel plated brass Protection: IP 67 Contact Resistance: ≤5m Ω Insulation Group: C acc.to VDE 0110 Test Voltage: 1.5KV eff./60s. Insulation Resistance: >10 <sup>9</sup> Ω
---	--

## Catalog Number

Part-No	Poles	Face View Female	Color Code	Conductors		Outer Jacket	
				Guage	Stranding	φ mm	Material
M-FS4/3NZV1182	4		1=brown 2=- 3=blue 4=black	0.18mm <sup>2</sup>	36xφ0.08	3.0	PVC
M-FS4/3NZY1192	4		1=brown 2=- 3=blue 4=black	0.18mm <sup>2</sup>	36xφ0.08	3.0	PUR/PVC
M-FS4NZV1202	4		1=brown 2=white 3=blue 4=black	0.18mm <sup>2</sup>	36xφ0.08	3.0	PVC
M-FS4NZY1212	4		1=brown 2=white 3=blue 4=black	0.18mm <sup>2</sup>	36xφ0.08	3.0	PUR/PVC

Standard length: 2.0 m, 5.0 m, 7.5 m, 10.0 m. Other cable length or cable specifications on request.

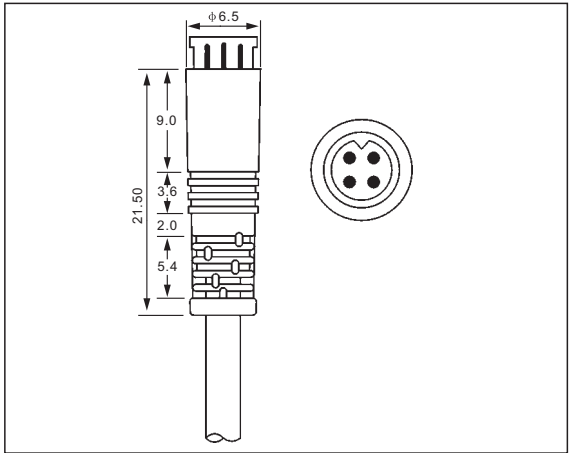
# ULTRA MINI-STYLE QUICK DISCONNECT CABLES

## View



- Male ultra mini-style
- Straight
- PUR/PVC offers superior resistance to oils and chemicals and abrasions
- With moulded cable

## Dimensional data



## Technical Data

Application Class: HNE acc.to DIN 40040 (-25°C/+90°C/≤75%rF)

Moulded Body: TPU, self-extinguishing

Nominal Power: 4A

Nominal Voltage: 60VAC/75VDC

Contact: CuZn, pre-nickeled and 0.8microns gold-plated

O-Ring: Viton

Body: TPU, self-extinguishing

Securing Safety Nut: Nickel plated brass

Protection: IP 67

Contact Resistance: ≤5m Ω

Insulation Group: C acc.to VDE 0110

Test Voltage: 1.5KV eff./60s.

Insulation Resistance: >10<sup>9</sup> Ω

## Catalog Number

Part-No	Poles	Face View male	Color Code	Conductors		Outer Jacket	
				Guage	Stranding	φ mm	Material
M-MS4/3NZV1182	4		1=brown 2=- 3=blue 4=black	0.18mm <sup>2</sup>	36xφ0.08	3.0	PVC
M-MS4/3NZY1192	4		1=brown 2=- 3=blue 4=black	0.18mm <sup>2</sup>	36xφ0.08	3.0	PUR/PVC
M-MS4NZV1202	4		1=brown 2=white 3=blue 4=black	0.18mm <sup>2</sup>	36xφ0.08	3.0	PVC
M-MS4NZY1212	4		1=brown 2=white 3=blue 4=black	0.18mm <sup>2</sup>	36xφ0.08	3.0	PUR/PVC

Standard length: 2.0 m, 5.0 m, 7.5 m, 10.0 m. Other cable length or cable specifications on request.

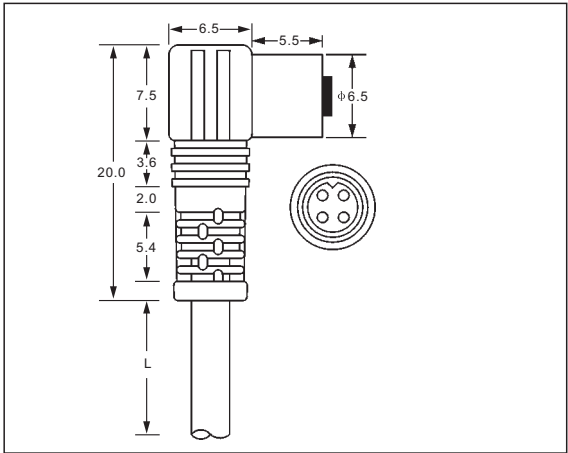
# ULTRA MINI-STYLE QUICK DISCONNECT CABLES

## View



- Female ultra mini-style
- Right angle
- PUR/PVC offers superior resistance to oils and chemicals and abrasions
- With moulded cable

## Dimensional data



## Technical Data

<p>Application Class: HNE acc.to DIN 40040 (-25°C/+90°C/≤75%rF)</p> <p>Moulded Body: TPU, self-extinguishing</p> <p>Nominal Power: 4A</p> <p>Nominal Voltage: 60VAC/75VDC</p> <p>Contact: CuZn, pre-nickeled and 0.8microns gold-plated</p> <p>O-Ring: Viton</p>	<p>Body: TPU, self-extinguishing</p> <p>Securing Safety Nut: Nickel plated brass</p> <p>Protection: IP 67</p> <p>Contact Resistance: ≤5m Ω</p> <p>Insulation Group: C acc.to VDE 0110</p> <p>Test Voltage: 1.5KV eff./60s.</p> <p>Insulation Resistance: &gt;10<sup>9</sup> Ω</p>
--	---

## Catalog Number

Part-No	Poles	Face View Female	Color Code	Conductors		Outer Jacket	
				Guage	Stranding	φ mm	Material
M-FA4/3NZV1182	4		1=brown 2=- 3=blue 4=black	0.18mm <sup>2</sup>	36xφ0.08	3.0	PVC
M-FA4/3NZY1192	4		1=brown 2=- 3=blue 4=black	0.18mm <sup>2</sup>	36xφ0.08	3.0	PUR/PVC
M-FA4NZV1202	4		1=brown 2=white 3=blue 4=black	0.18mm <sup>2</sup>	36xφ0.08	3.0	PVC
M-FA4NZY1212	4		1=brown 2=white 3=blue 4=black	0.18mm <sup>2</sup>	36xφ0.08	3.0	PUR/PVC

Standard length: 2.0 m, 5.0 m, 7.5 m, 10.0 m. Other cable length or cable specifications on request.

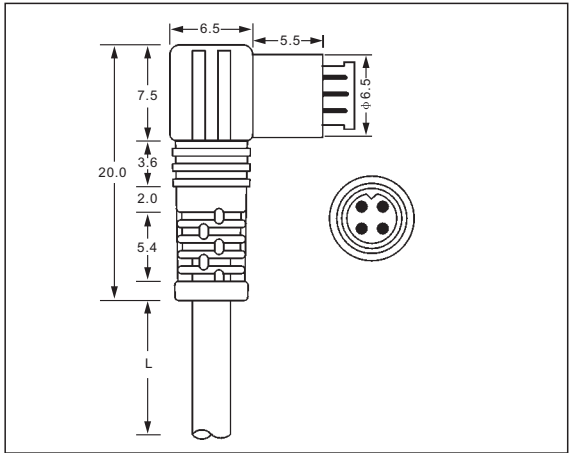
# ULTRA MINI-STYLE QUICK DISCONNECT CABLES

## View



- Male ultra mini-style
- Right angle
- PUR/PVC offers superior resistance to oils and chemicals and abrasions
- With moulded cable

## Dimensional data



## Technical Data

<p>Application Class: HNE acc.to DIN 40040 (-25°C/+90°C/≤75%rF)</p> <p>Moulded Body: TPU, self-extinguishing</p> <p>Nominal Power: 4A</p> <p>Nominal Voltage: 60VAC/75VDC</p> <p>Contact: CuZn, pre-nickeled and 0.8microns gold-plated</p> <p>O-Ring: Viton</p>	<p>Body: TPU, self-extinguishing</p> <p>Securing Safety Nut: Nickel plated brass</p> <p>Protection: IP 67</p> <p>Contact Resistance: ≤5m Ω</p> <p>Insulation Group: C acc.to VDE 0110</p> <p>Test Voltage: 1.5KV eff./60s.</p> <p>Insulation Resistance: &gt;10<sup>9</sup> Ω</p>
--	---

## Catalog Number

Part-No	Poles	Face View male	Color Code	Conductors		Outer Jacket	
				Guage	Stranding	φ mm	Material
M-MA4/3NZV1182	4		1=brown 2=- 3=blue 4=black	0.18mm <sup>2</sup>	36xφ0.08	3.0	PVC
M-MA4/3NZY1192	4		1=brown 2=- 3=blue 4=black	0.18mm <sup>2</sup>	36xφ0.08	3.0	PUR/PVC
M-MA4NZV1202	4		1=brown 2=white 3=blue 4=black	0.18mm <sup>2</sup>	36xφ0.08	3.0	PVC
M-MA4NZY1212	4		1=brown 2=white 3=blue 4=black	0.18mm <sup>2</sup>	36xφ0.08	3.0	PUR/PVC

Standard length: 2.0 m, 5.0 m, 7.5 m, 10.0 m. Other cable length or cable specifications on request.

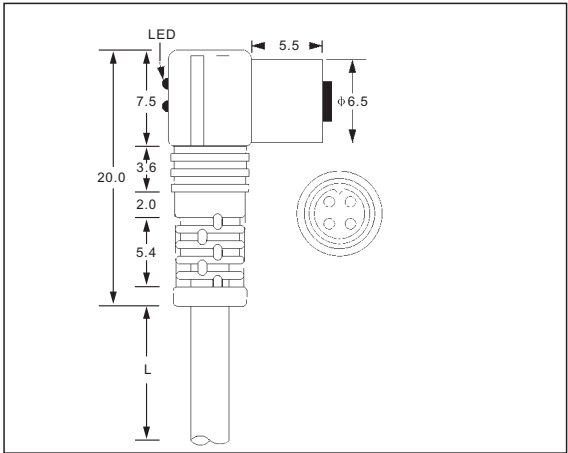
# ULTRA MINI-STYLE QUICK DISCONNECT CABLES

## View



- Female ultra mini-style
- Right angle
- PUR/PVC offers superior resistance to oils and chemicals and abrasions
- With moulded cable

## Dimensional data



## Technical Data

Application Class: HNE acc.to DIN 40040 (-25°C/+90°C/≤75%rF)  
 Moulded Body: TPU, self-extinguishing  
 Nominal Power: 4A  
 Nominal Voltage: 60VAC/75VDC  
 Contact: CuZn, pre-nickeled and 0.8microns gold-plated  
 O-Ring: Viton

Body: TPU, self-extinguishing  
 Securing Safety Nut: Nickel plated brass  
 Protection: IP 67  
 Contact Resistance: ≤5m Ω  
 Insulation Group: C acc.to VDE 0110  
 Test Voltage: 1.5KV eff./60s.  
 Insulation Resistance: >10<sup>9</sup> Ω

## Catalog Number

Part-No	Poles	Face View Female	Color Code	Conductors		Outer Jacket		Circuit LED-indicator	
				Guage	Stranding	φ mm	Material		
M-FA4/3NPV1182/A	4		1=brown 2=- 3=blue 4=black	0.18mm <sup>2</sup>	36xφ0.08	3.0	PVC	<p>A type pnp-normally open =yellow-green</p>	
M-FA4/3NPY1192/A							PUR/PVC		
M-FA4/3NPV1182/H	4		1=brown 2=black 3=blue 4=-	0.18mm <sup>2</sup>	36xφ0.08	3.0	PVC		<p>H type pnp-normally closed =yellow-green</p>
M-FA4/3NPY1192/H							PUR/PVC		

Standard length: 2.0 m, 5.0 m, 7.5 m, 10.0 m. Other cable length or cable specifications on request.

# ULTRA MINI-STYLE QUICK DISCONNECT CABLES

Catalog Number								
Part-No	Poles	Face View Female	Color Code	Conductors		Outer Jacket		Circuit LED-indicator
				Guage	Stranding	φ mm	Material	
M-FA4/3NNV1182/C	4		1=brown 2=- 3=blue 4=black	0.18mm <sup>2</sup>	36xφ0.08	3.0	PVC	<p>C type npn-normally open =yellow-green</p>
M-FA4/3NNY1192/C							PUR/PVC	
M-FA4NPV1202/F	4		1=brown 2=white 3=blue 4=black	0.18mm <sup>2</sup>	36xφ0.08	3.0	PVC	<p>F type pnp-normally closed/open =yellow-green</p>
M-FA4NPY1212/F							PUR/PVC	
M-FA4NNV1202/G	4		1=brown 2=white 3=blue 4=black	0.18mm <sup>2</sup>	36xφ0.08	3.0	PVC	<p>G type npn-normally closed/open =yellow-green</p>
M-FA4NNY1212/G							PUR/PVC	
M-FA4NPV1202/P	4		1=brown 2=white 3=blue 4=black	0.18mm <sup>2</sup>	36xφ0.08	3.0	PVC	<p>P type pnp-normally closed/open =yellow-yellow-green</p>
M-FA4NPY1212/P							PUR/PVC	

Standard length: 2.0 m, 5.0 m, 7.5 m, 10.0 m. Other cable length or cable specifications on request.

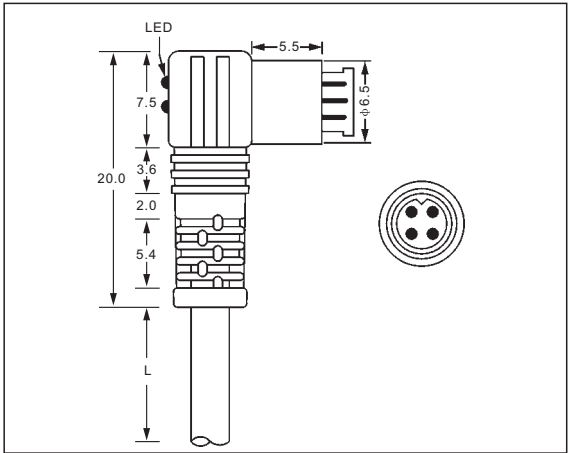
# ULTRA MINI-STYLE QUICK DISCONNECT CABLES

## View



- Male ultra mini-style
- Right angle
- PUR/PVC offers superior resistance to oils and chemicals and abrasions
- With moulded cable

## Dimensional data



## Technical Data

Application Class: HNE acc.to DIN 40040 (-25°C/+90°C/≤75%rF)  
 Moulded Body: TPU, self-extinguishing  
 Nominal Power: 4A  
 Nominal Voltage: 60VAC/75VDC  
 Contact: CuZn, pre-nickeled and 0.8microns gold-plated  
 O-Ring: Viton

Body: TPU, self-extinguishing  
 Securing Safety Nut: Nickel plated brass  
 Protection: IP 67  
 Contact Resistance: ≤5m Ω  
 Insulation Group: C acc.to VDE 0110  
 Test Voltage: 1.5KV eff./60s.  
 Insulation Resistance: >10<sup>9</sup> Ω

## Catalog Number

Part-No	Poles	Face View Male	Color Code	Conductors		Outer Jacket		Circuit LED-indicator	
				Guage	Stranding	φ mm	Material		
M-MA4/3NPV1182/A	4		1=brown 2=- 3=blue 4=black	0.18mm <sup>2</sup>	36xφ0.08	3.0	PVC	<p>A type pnp-normally open =yellow-green</p>	
M-MA4/3NPY1192/A							PUR/PVC		
M-MA4/3NPV1182/H	4		1=brown 2=black 3=blue 4=-	0.18mm <sup>2</sup>	36xφ0.08	3.0	PVC		<p>H type pnp-normally closed =yellow-green</p>
M-MA4/3NPY1192/H							PUR/PVC		

Standard length: 2.0 m, 5.0 m, 7.5 m, 10.0 m. Other cable length or cable specifications on request.

# ULTRA MINI-STYLE QUICK DISCONNECT CABLES

Catalog Number								
Part-No	Poles	Face View Male	Color Code	Conductors		Outer Jacket		Circuit LED-indicator
				Guage	Stranding	φ mm	Material	
M-MA4/3NNV1182/C	4		1=brown 2=- 3=blue 4=black	0.18mm <sup>2</sup>	36xφ0.08	3.0	PVC	<p>C type npn-normally open =yellow-green</p>
M-MA4/3NNY1192/C							PUR/PVC	
M-MA4NPV1202/F	4		1=brown 2=white 3=blue 4=black	0.18mm <sup>2</sup>	36xφ0.08	3.0	PVC	<p>F type pnp-normally closed/open =yellow-green</p>
M-MA4NPY1212/F							PUR/PVC	
M-MA4NNV1202/G	4		1=brown 2=white 3=blue 4=black	0.18mm <sup>2</sup>	36xφ0.08	3.0	PVC	<p>G type npn-normally closed/open =yellow-green</p>
M-MA4NNY1212/G							PUR/PVC	
M-MA4NPV1202/P	4		1=brown 2=white 3=blue 4=black	0.18mm <sup>2</sup>	36xφ0.08	3.0	PVC	<p>P type pnp-normally closed/open =yellow-yellow-green</p>
M-MA4NPY1212/P							PUR/PVC	

Standard length: 2.0 m, 5.0 m, 7.5 m, 10.0 m. Other cable length or cable specifications on request.



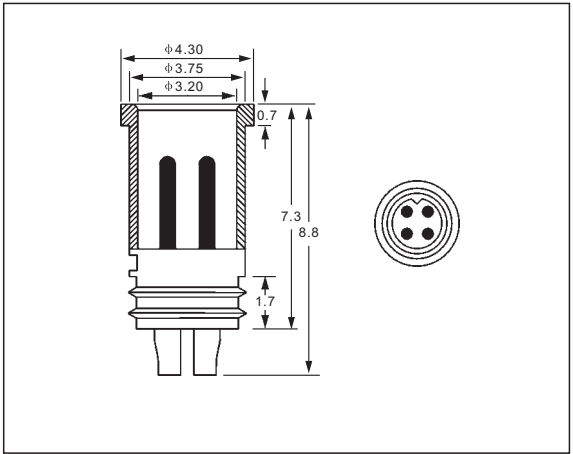
# ULTRA MINI-STYLE QUICK DISCONNECT CABLES

## View



- Ultra mini-style plug
- Male style

## Dimensional data



## Technical Data

Application Class:	HLE acc. to DIN 40040 (-25 °C / +110 °C / ≤ 75%rF)	Nominal Power:	4A
Moulded Body:	PA, self-extinguishing	Mode of Connection:	Solder types
Nominal Voltage:	60VAC/75VDC 250VAC/300VDC (Solder Contacts potted with epoxy)	O-Ring:	Viton
Contact:	CuZn, pre-nickel and 0.8 microns gold-plated	Protection:	IP68
		Test Voltage:	4 poles 2.0 KV eff./60s.
		Insulation Resistance:	> 10 <sup>9</sup> Ω

## Catalog Number

Part-No	Poles	Face View male	Shaft-φ mm	Ventilation hole φ mm
M-MS3	3		3.3mm	—
M-MS4	4		3.3mm	—