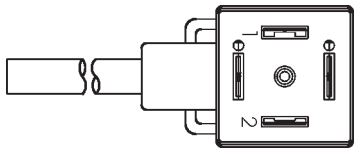
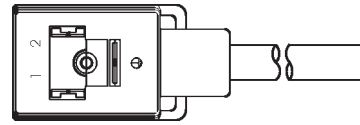


# VALVE-CONNECTOR INDEX



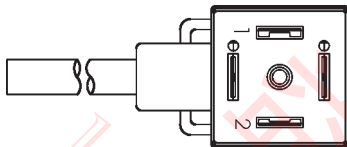
Page:103

Valve Connector with LED



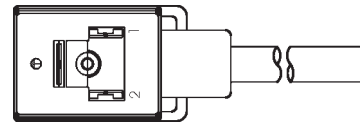
Page:109

Valve Connector with LED



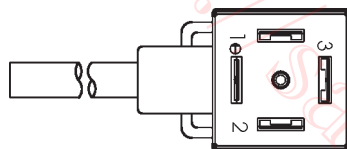
Page:104

Valve Connector with LED



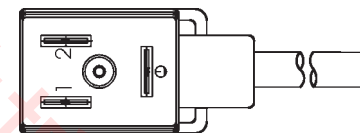
Page:110

Valve Connector with LED Cable Exit 180 °



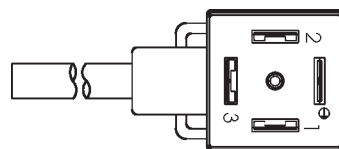
Page:105

Valve Connector with 2 Color LEDs



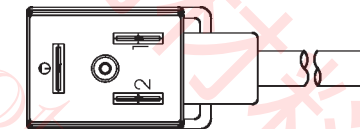
Page:111

Valve Connector with LED



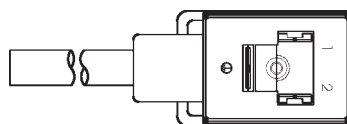
Page:106

Valve Connector with 2 Color LEDs Cable exit 180 °



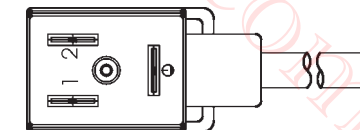
Page:112

Valve Connector with LED



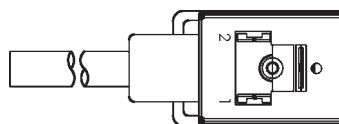
Page:107

Valve Connector with LED



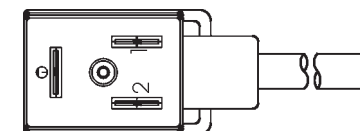
Page:113

Valve Connector with LED Cable Exit 0 °



Page:108

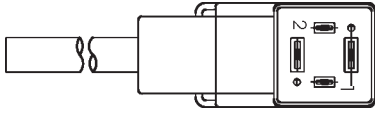
Valve Connector with LED



Page:114

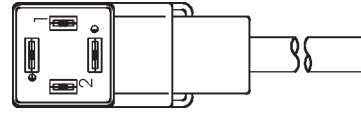
Valve Connector with LED Cable Exit 180 °

# VALVE-CONNECTOR INDEX



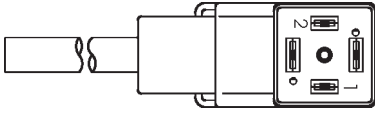
Valve Connector with LED

Page:115



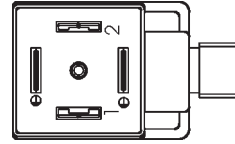
Valve Connector 2+PE without circuitry

Page:123



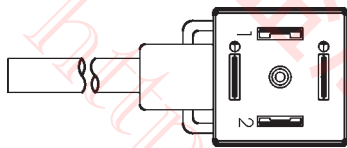
Valve Connector with LED

Page:116



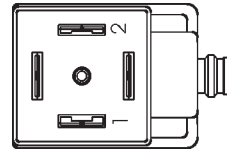
Valve Connector with M12 male receptacle connector

Page:124



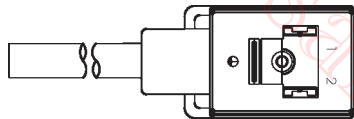
Valve Connector 2+PE without circuitry

Page:117



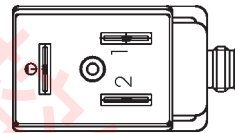
Valve Connector with M8 male receptacle connector

Page:125



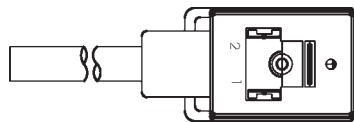
Valve Connector 2+PE without circuitry

Page:118



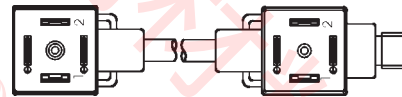
Valve Connector with M8 male receptacle connector

Page:126



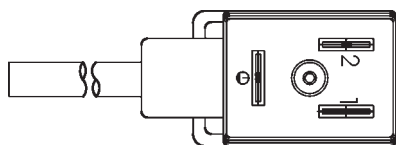
Valve Connector without circuitry

Page:119



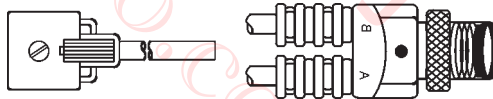
Valve Connector with a extra M12 Connector & LED

Page:127



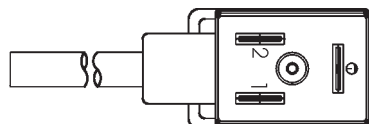
Valve Connector 2+PE without circuitry

Page:120



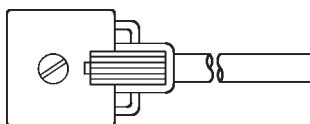
Valve Connector and splitter

Page:128-131



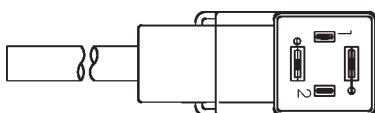
Valve Connector 2+PE without circuitry Cable Exit 180°

Page:121



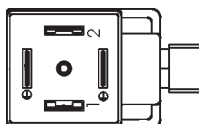
Valve Connector with recovery diode

Page:132



Valve Connector 2+PE without circuitry

Page:122



Valve Connector with M12 male receptacle connector

Page:133

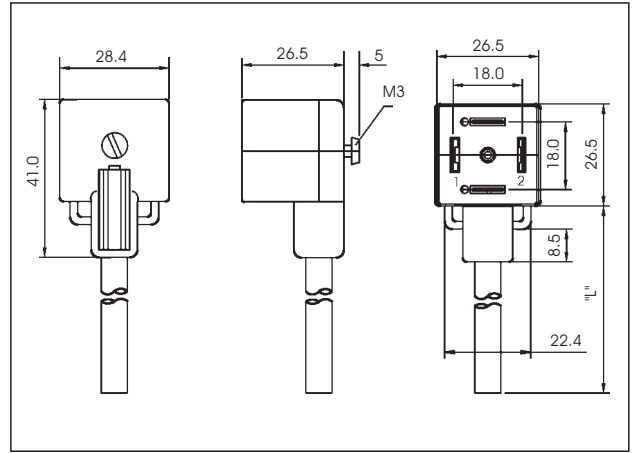
# VALVE-CONNECTORS, IP67

## View



- Valve connector according to DIN EN 175301-803
- Form A
- With built-in LED and varistor voltage protection
- Connected protective earth

## Dimensional data



## Technical Data

Operating temperature range : -25 °C /+80 °C  
 Housing/molded body : TPU, self-extinguishing  
 Degree of protection : IP 67  
 Contact : CuZn, nickel-plated and tin-plated

Contact Resistance :  $\leq 5m\Omega$   
 Nominal current at 40 °C : 4A  
 Nominal Voltage : 24V  
 Rated Voltage : 32V  
 Pollution degree : 3

## Catalog Number

Part-No	Poles	Face View female	Color Code	Conductors		Outer Jacket		Circuit Protection
				Guage	Stranding	$\phi$ mm	Material	
V-FANAVY052	2+ 		1 = brown 2 = blue = green / yellow	0.50mm <sup>2</sup>	16 x $\phi$ 0.20	5.5	PUR/PVC	
V-FANAVV552				0.50mm <sup>2</sup>	16 x $\phi$ 0.20	5.0	PVC irradiated	

"L"-Standard length:2.0m,3.0m,5.0m,10.0m. other cable length or cable specifications on request.

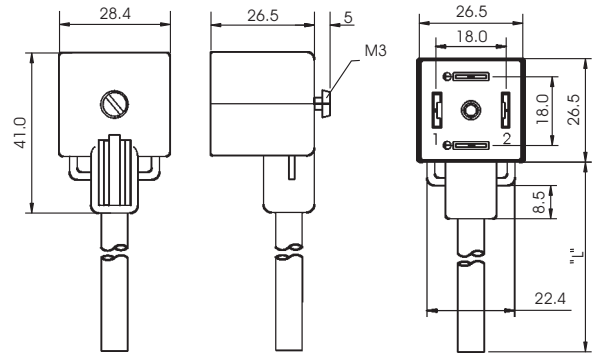
# VALVE-CONNECTORS, IP67

## View



- Valve connector according to DIN EN 175301-803
- Form A
- With built-in LED and suppressor diode voltage protection
- Connected protective earth

## Dimensional data



## Technical Data

Operating temperature : -25 °C / +80 °C  
 Housing/Molded body : TPU, self-extinguishing  
 Degree of Protection : IP 67  
 Contact : CuZn, nickel-plated and tin-plated

Contact Resistance :  $\leq 5m\Omega$   
 Nominal current at 40 °C : 4A  
 Nominal Voltage : 24V  
 Rated Voltage : 32V  
 Pollution degree : 3

## Catalog Number

Part-No	Poles	Face View female	Color Code	Conductors		Outer Jacket		Circuit Protection
				Guage	Stranding	$\phi$ mm	Material	
V-FANASY052	2+ 		1 = brown 2 = blue = green / yellow	0.50mm <sup>2</sup>	16x $\phi$ 0.20	5.5	PUR/PVC	
V-FANASV552				0.50mm <sup>2</sup>	16x $\phi$ 0.20	5.0	PVC irradiated	

"L"=Standard length:2.0m,3.0m,5.0m,10.0m. other cable length or cable specifications on request.

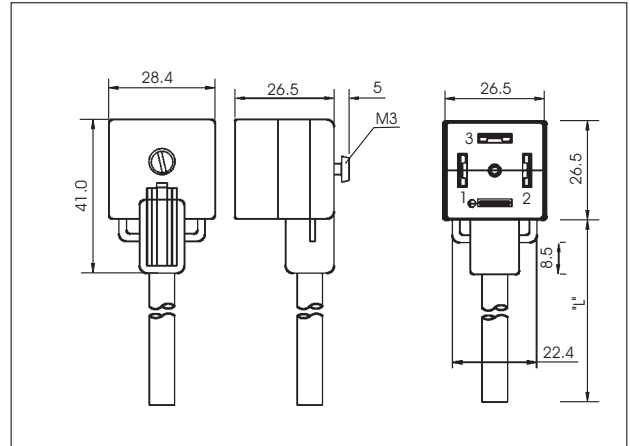
# VALVE-CONNECTORS,IP67

## View



- Connector for pressure switches
- According to DIN EN 175301-803, form A
- With LED operation and function indicator

## Dimensional data



## Technical Data

Operating temperature : -25 °C /+80 °C

Housing/Molded body : TPU, self-extinguishing

Degree of Protection : IP 67

Contact : CuZn, nickel-plated and tin-plated

Contact Resistance :  $\leq 5m\Omega$

Nominal current at 40 °C : 4A

Nominal Voltage : 24V DC

Rated Voltage : 32V

Pollution degree : 3

## Catalog Number

Part-No	Poles	Face View female	Color Code	Conductors		Outer Jacket		Circuit Protection
				Guage	Stranding	$\phi$ mm	Material	
V-FAZATU522	3+ 		1 = brown 2 = white 3 = black LED = blue $\oplus$ = green / yellow	0.50mm <sup>2</sup>	16 x $\phi$ 0.20	6.0	PUR	
V-FAZATV512				0.50mm <sup>2</sup>	16 x $\phi$ 0.20	6.0	PVC	

"L"=Standard length:2.0m,3.0m,5.0m,10.0m. other cable length or cable specifications on request.

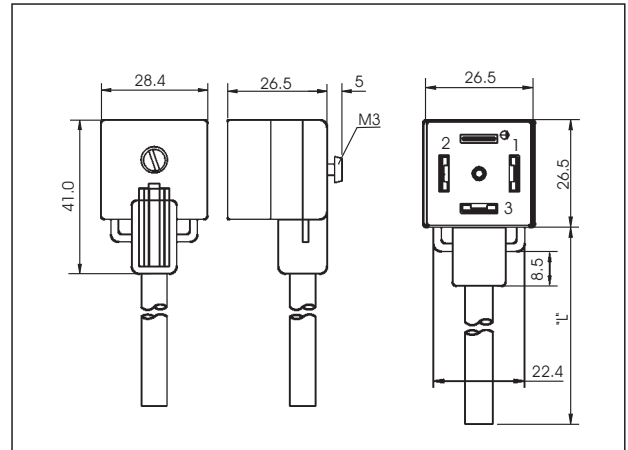
# VALVE-CONNECTORS, IP67

## View



- Valve connector accorded to DIN EN 175301-803
- Cable exit 180°
- Form A, with LED operation and function indicator
- For pressure switches

## Dimensional data



## Technical Data

Operating temperature : -25 °C /+80 °C  
 Housing/Molded body : TPU, self-extinguishing  
 Degree of Protection : IP 67  
 Contact : CuZn, nickel-plated and tin-plated

Contact Resistance :  $\leq 5m\Omega$   
 Nominal current at 40 °C : 4A  
 Nominal Voltage : 24V DC  
 Rated Voltage : 32V  
 Pollution degree : 3

## Catalog Number

Part-No	Poles	Face View female	Color Code	Conductors		Outer Jacket		Circuit Protection
				Guage	Stranding	$\phi$ mm	Material	
V-FAEATU522	3+		1 = brown 2 = white 3 = black LED = blue ⊕ = green / yellow	0.50mm <sup>2</sup>	16x $\phi$ 0.20	6.0	PUR	
V-FAEATV512				0.50mm <sup>2</sup>	16x $\phi$ 0.20	6.0	PVC	

"L"=Standard length:2.0m,3.0m,5.0m,10.0m. other cable length or cable specifications on request.

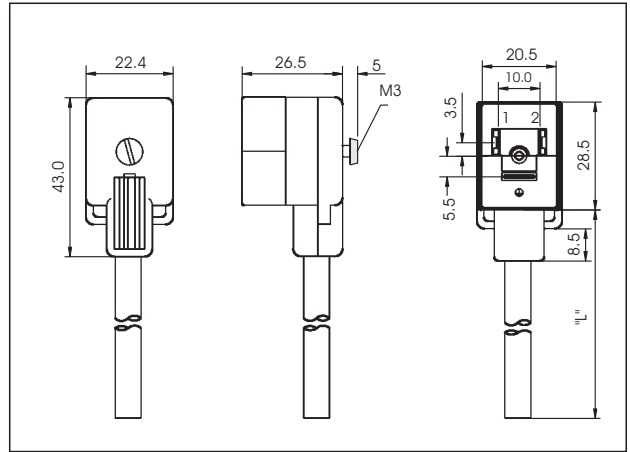
# VALVE-CONNECTORS,IP67

## View



- Valve connector according to DIN EN175301-803
- Form B
- With built-in LED and varistor voltage protection

## Dimensional data



## Technical Data

Operating temperature : -25 °C /+80 °C  
 Housing/Molded body : TPU, self-extinguishing  
 Degree of Protection : IP 67  
 Contact : CuZn, nickel-plated and tin-plated

Contact Resistance :  $\leq 5m\Omega$   
 Nominal current at 40 °C : 4A  
 Nominal Voltage : 24V  
 Rated Voltage : 32V  
 Pollution degree : 3

## Catalog Number

Part-No	Poles	Face View female	Color Code	Conductors		Outer Jacket		Circuit Protection
				Guage	Stranding	$\phi$ mm	Material	
V-FAZBVY052	2+ ⊕		1 = brown 2 = blue ⊕ = green / yellow	0.50mm <sup>2</sup>	16x $\phi$ 0.20	5.5	PUR/PVC	
V-FAZBVV552				0.50mm <sup>2</sup>	16x $\phi$ 0.20	5.0	PVC irradiated	

"L"=Standard length:2.0m,3.0m,5.0m,10.0m. other cable length or cable specifications on request.

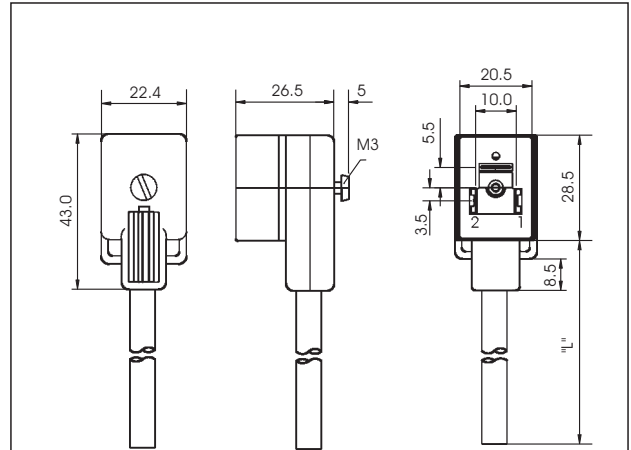
# VALVE-CONNECTORS, IP67

## View



- Valve connector according to DIN EN175301-803
- Form B
- With built-in LED and varistor voltage protection

## Dimensional data



## Technical Data

Operating temperature : -25 °C / +80 °C  
 Housing/Molded body : TPU, self-extinguishing  
 Degree of Protection : IP 67  
 Contact : CuZn, nickel-plated and tin-plated

Contact Resistance :  $\leq 5m\Omega$   
 Nominal current at 40 °C : 4A  
 Nominal Voltage : 24V  
 Rated Voltage : 32V  
 Pollution degree : 3

## Catalog Number

Part-No	Poles	Face View female	Color Code	Conductors		Outer Jacket		Circuit Protection
				Guage	Stranding	φ mm	Material	
V-FAEBVY052	3+ 		1 = brown 2 = blue = Green / yellow	0.50mm <sup>2</sup>	16x φ 0.20	5.5	PUR/PVC	
V-FAEBVV552				0.50mm <sup>2</sup>	16x φ 0.20	5.0	PVC irradiated	

"L"=Standard length:2.0m,3.0m,5.0m,10.0m. other cable length or cable specifications on request.



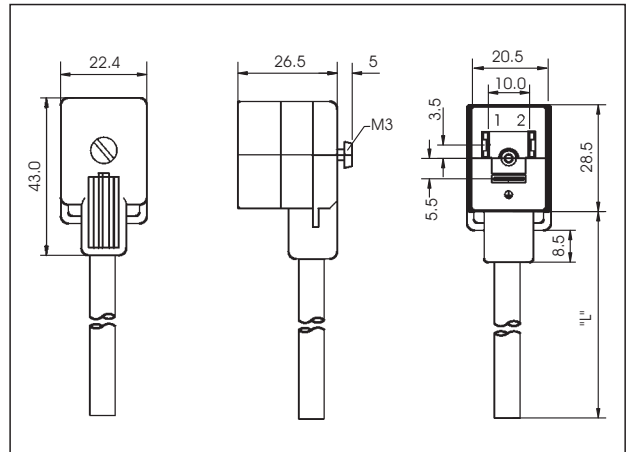
# VALVE-CONNECTORS, IP67

## View



- Valve connector according to DIN EN 175301-803
- Form B
- With built-in LED and suppressor diode voltage protection

## Dimensional data



## Technical Data

Operating temperature : -25 °C / +80 °C  
 Housing/Molded body : TPU, self-extinguishing  
 Degree of Protection : IP 67  
 Contact : CuZn, nickel-plated and tin-plated

Contact Resistance :  $\leq 5m\Omega$   
 Nominal current at 40 °C : 4A  
 Nominal Voltage : 24V  
 Rated Voltage : 32V  
 Pollution degree : 3

## Catalog Number

Part-No	Poles	Face View female	Color Code	Conductors		Outer Jacket		Circuit Protection
				Guage	Stranding	$\phi$ mm	Material	
V-FAZBSY052	2+ 		1 = brown 2 = blue = green / yellow	0.50mm <sup>2</sup>	16 x $\phi$ 0.20	5.5	PUR/PVC	
V-FAZBSV552				0.50mm <sup>2</sup>	16 x $\phi$ 0.20	5.0	PVC irradiated	

"L"=Standard length:2.0m,3.0m,5.0m,10.0m. other cable length or cable specifications on request.

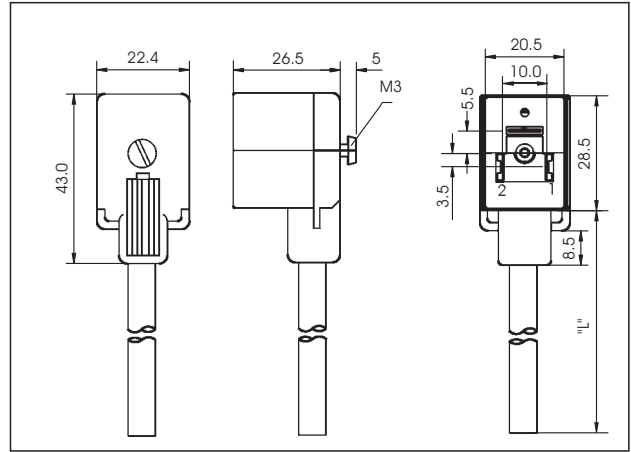
# VALVE-CONNECTORS, IP67

## View



- Valve connector according to DIN EN 175301-803
- Form B
- Cable exit 180°
- With built-in LED and suppressor diode voltage protection

## Dimensional data



## Technical Data

Operating temperature : -25 °C /+80 °C  
 Housing/Molded body : TPU, self-extinguishing  
 Degree of Protection : IP 67  
 Contact : CuZn, nickel-plated and tin-plated

Contact Resistance :  $\leq 5m\Omega$   
 Nominal current at 40 °C : 4A  
 Nominal Voltage : 24V  
 Rated Voltage : 32V  
 Pollution degree : 3

## Catalog Number

Part-No	Poles	Face View female	Color Code	Conductors		Outer Jacket		Circuit Protection
				Guage	Stranding	φ mm	Material	
V-FAESY052	2+ 		1 = brown 2 = blue = green / yellow	0.50mm <sup>2</sup>	16x φ 0.20	5.5	PUR/PVC	
V-FAESV552				0.50mm <sup>2</sup>	16x φ 0.20	5.0	PVC irradiated	

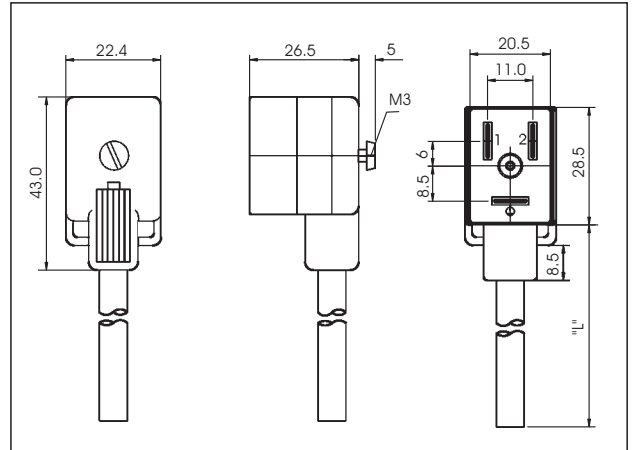
"L"=Standard length:2.0m,3.0m,5.0m,10.0m. other cable length or cable specifications on request.

## View



- Valve connector similar to DIN EN 175301-803
- Industry standard form B
- With built-in LED and varistor voltage protection

## Dimensional data



## Technical Data

Operating temperature : -25 °C / +80 °C  
 Housing/Molded body : TPU, self-extinguishing  
 Degree of Protection : IP 67  
 Contact : CuZn, nickel-plated and tin-plated

Contact Resistance :  $\leq 5m\Omega$   
 Nominal current at 40 °C : 4A  
 Nominal Voltage : 24V  
 Rated Voltage : 32V  
 Pollution degree : 3

## Catalog Number

Part-No	Poles	Face View female	Color Code	Conductors		Outer Jacket		Circuit Protection
				Guage	Stranding	$\phi$ mm	Material	
V-FAZDVY052	2+ 		1 = brown 2 = blue = green / yellow	0.50mm <sup>2</sup>	16 x $\phi$ 0.20	5.5	PUR/PVC	
V-FAZDVV552				0.50mm <sup>2</sup>	16 x $\phi$ 0.20	5.0	PVC irradiated	

"L"=Standard length:2.0m,3.0m,5.0m,10.0m. other cable length or cable specifications on request.

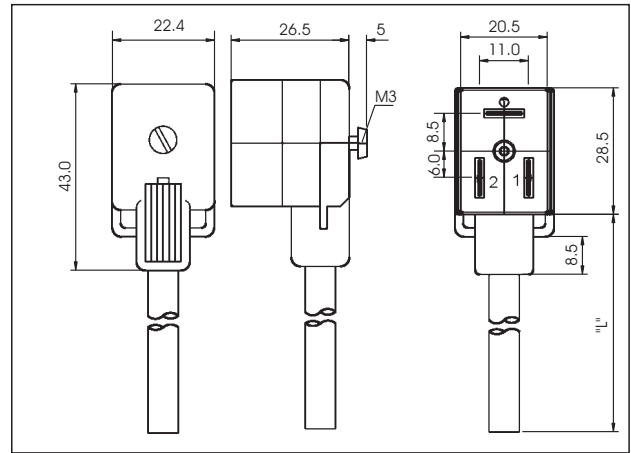
# VALVE-CONNECTORS, IP67

## View



- Valve connector similar to DIN EN 175301-803
- Industry standard form B
- With built-in LED and varistor voltage protection

## Dimensional data



## Technical Data

Operating temperature : -25 °C / +80 °C  
 Housing/Molded body : TPU, self-extinguishing  
 Degree of Protection : IP 67  
 Contact : CuZn, nickel-plated and tin-plated

Contact Resistance :  $\leq 5m\Omega$   
 Nominal current at 40 °C : 4A  
 Nominal Voltage : 24V  
 Rated Voltage : 32V  
 Pollution degree : 3

## Catalog Number

Part-No	Poles	Face View female	Color Code	Conductors		Outer Jacket		Circuit Protection
				Guage	Stranding	$\phi$ mm	Material	
V-FAEDVY052	2+		1 = brown 2 = blue $\oplus$ = green / yellow	0.50mm <sup>2</sup>	16x $\phi$ 0.20	5.5	PUR/PVC	
V-FAEDVV552				0.50mm <sup>2</sup>	16x $\phi$ 0.20	5.0	PVC irradiated	

"L"=Standard length:2.0m,3.0m,5.0m,10.0m. other cable length or cable specifications on request.

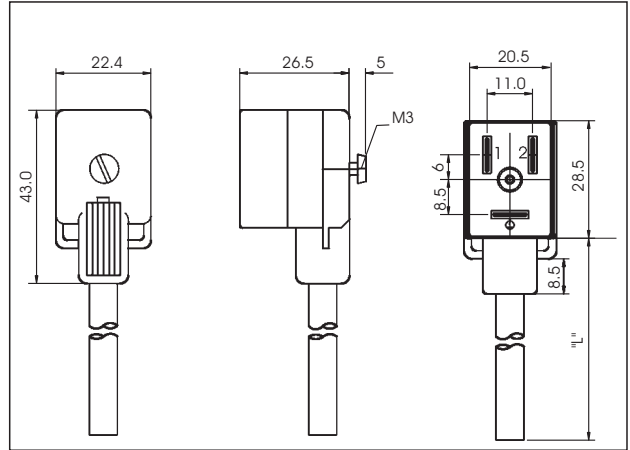
# VALVE-CONNECTORS, IP67

## View



- Valve connector similar to DIN EN 175301-803
- Form B
- Industry standard construction, cable exit 0°
- With built-in LED and suppressor diode voltage protection

## Dimensional data



## Technical Data

Operating temperature : -25 °C / +80 °C  
 Housing/Molded body : TPU, self-extinguishing  
 Degree of Protection : IP 67  
 Contact : CuZn, nickel-plated and tin-plated

Contact Resistance :  $\leq 5m\Omega$   
 Nominal current at 40 °C : 4A  
 Nominal Voltage : 24V  
 Rated Voltage : 32V  
 Pollution degree : 3

## Catalog Number

Part-No	Poles	Face View female	Color Code	Conductors		Outer Jacket		Circuit Protection
				Guage	Stranding	φ mm	Material	
V-FAZDSY052	2+ 		1 = brown 2 = blue = green / yellow	0.50mm <sup>2</sup>	16 x φ 0.20	5.5	PUR/PVC	
V-FAZDSV552				0.50mm <sup>2</sup>	16 x φ 0.20	5.0	PVC irradiated	

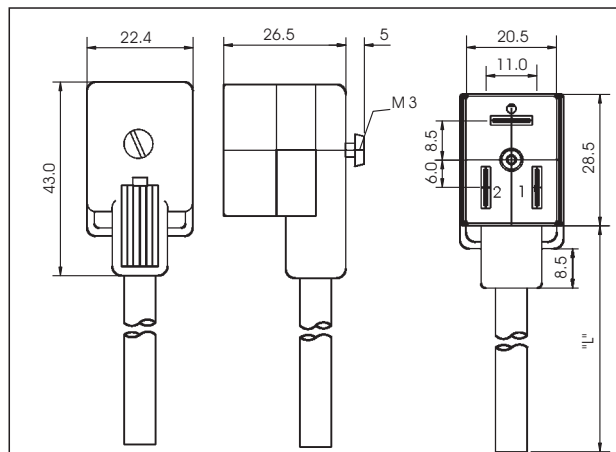
"L"=Standard length:2.0m,3.0m,5.0m,10.0m. other cable length or cable specifications on request.

## View



- Valve connector similar to DIN EN 175301-803
- Form B
- Industry standard construction, cable exit 180 °
- With built-in LED and suppressor diode voltage protection

## Dimensional data



## Technical Data

Operating temperature : -25 °C /+80 °C

Housing/Molded body : TPU, self-extinguishing

Degree of Protection : IP 67

Contact : CuZn, nickel-plated and tin-plated

Contact Resistance :  $\leq 5m\Omega$

Nominal current at 40 °C : 4A

Nominal Voltage : 24V

Rated Voltage : 32V

Pollution degree : 3

## Catalog Number

Part-No	Poles	Face View female	Color Code	Conductors		Outer Jacket		Circuit Protection
				Guage	Stranding	$\phi$ mm	Material	
V-FAEDSY052	2+		1 = brown 2 = blue $\oplus$ = green / yellow	0.50mm <sup>2</sup>	16x $\phi$ 0.20	5.5	PUR/PVC	
V-FAEDSV552				0.50mm <sup>2</sup>	16x $\phi$ 0.20	5.0	PVC irradiated	

"L"=Standard length:2.0m,3.0m,5.0m,10.0m. other cable length or cable specifications on request.

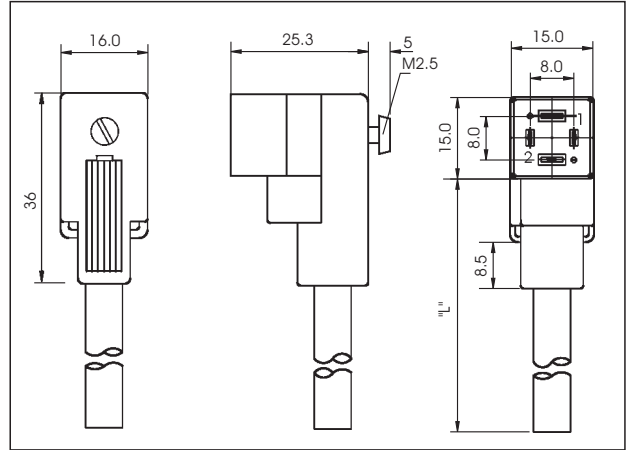
# VALVE-CONNECTORS, IP67

## View



- Valve connector, according to DIN EN 175301-803
- Form C, 8.0mm
- With built-in LED and varistor voltage protection
- Connected protective earth

## Dimensional data



## Technical Data

Operating temperature : -25 °C / +80 °C  
 Housing/Molded body : TPU, self-extinguishing  
 Degree of Protection : IP 67  
 Contact : CuZn, nickel-plated and tin-plated

Contact Resistance :  $\leq 5m\Omega$   
 Nominal current at 40 °C : 4A  
 Nominal Voltage : 24V  
 Rated Voltage : 32V  
 Pollution degree : 3

## Catalog Number

Part-No	Poles	Face View female	Color Code	Conductors		Outer Jacket		Circuit Protection
				Guage	Stranding	$\phi$ mm	Material	
V-FANCVY052	2+ 		1 = brown 2 = blue = green / yellow	0.50mm <sup>2</sup>	16 x $\phi$ 0.20	5.5	PUR/PVC	
V-FANCVV552				0.50mm <sup>2</sup>	16 x $\phi$ 0.20	5.0	PVC irradiated	

"L"=Standard length:2.0m,3.0m,5.0m,10.0m. other cable length or cable specifications on request.

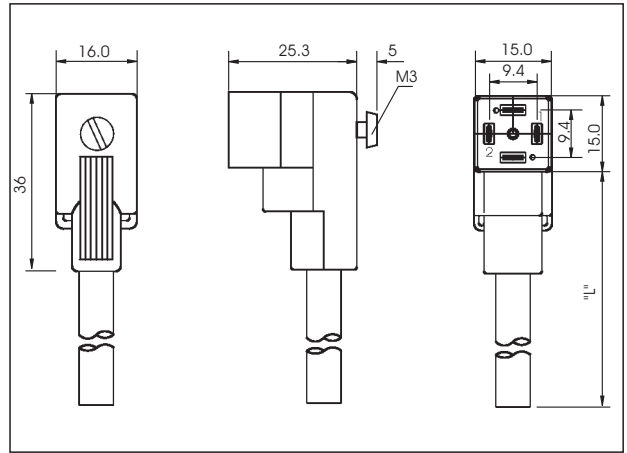
# VALVE-CONNECTORS, IP67

## View



- Valve connector similar to DIN EN 175301-803
- Industry standard form C, 9.4mm
- With LED function indicator, varistor voltage protection
- Connected protective earth

## Dimensional data



## Technical Data

Operating temperature : -25 °C /+80 °C  
 Housing/Molded body : TPU, self-extinguishing  
 Degree of Protection : IP 67  
 Contact : CuZn, nickel-plated and tin-plated

Contact Resistance :  $\leq 5m\Omega$   
 Nominal current at 40 °C : 4A  
 Nominal Voltage : 24V  
 Rated Voltage : 32V  
 Pollution degree : 3

## Catalog Number

Part-No	Poles	Face View female	Color Code	Conductors		Outer Jacket		Circuit Protection
				Guage	Stranding	$\phi$ mm	Material	
V-FANGVY052	2+ 		1 = brown 2 = blue = green / yellow	0.50mm <sup>2</sup>	16x $\phi$ 0.20	5.5	PUR/PVC	
V-FANGVV552				0.50mm <sup>2</sup>	16x $\phi$ 0.20	5.0	PVC irradiated	

"L"=Standard length:2.0m,3.0m,5.0m,10.0m. other cable length or cable specifications on request.



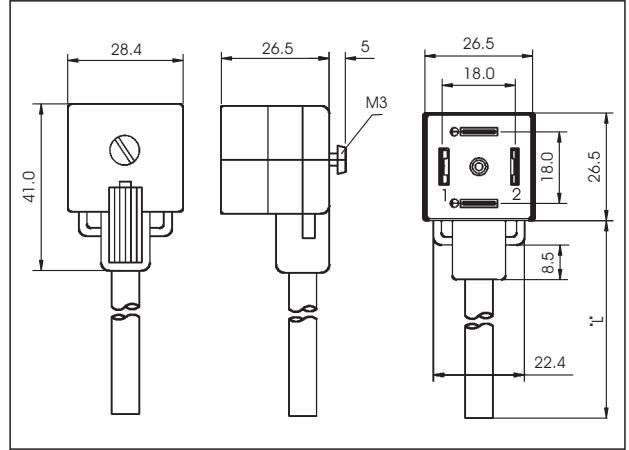
# VALVE-CONNECTORS,IP67

## View



- Valve connector according to DIN EN 175301-803
- Form A
- Connected protective earth
- Without circuitry

## Dimensional data



## Technical Data

Operating temperature : -25 °C / +80 °C

Housing/Molded body : TPU, self-extinguishing

Degree of Protection : IP 67

Contact : CuZn, nickel-plated and tin-plated

Contact Resistance :  $\leq 5m\Omega$

Nominal current at 40 °C : 4A

Nominal Voltage : 240V

Rated Voltage : 250V

Pollution degree : 3

## Catalog Number

Part-No	Poles	Face View female	Color Code	Conductors		Outer Jacket	
				Guage	Stranding	$\phi$ mm	Material
V-FANAOV532	2+ ⊕		1 = brown 2 = blue ⊕ = green / yellow	0.50mm <sup>2</sup>	16x $\phi$ 0.20	5.0	PVC

"L"=Standard length:2.0m,3.0m,5.0m,10.0m. other cable length or cable specifications on request.

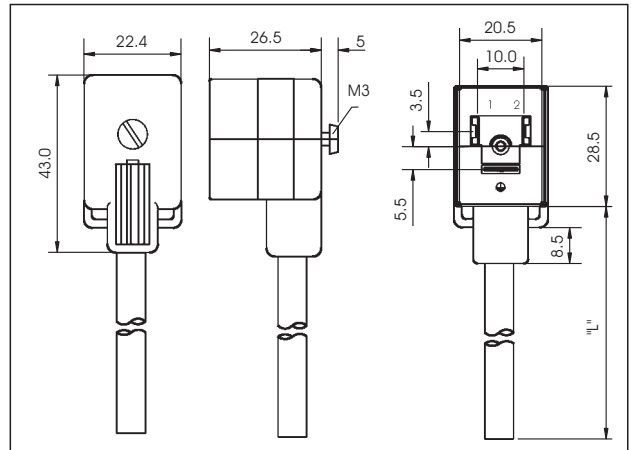
# VALVE-CONNECTORS, IP67

## View



- Valve connector according to DIN EN 175301-803
- Form B
- Without circuitry
- 2+earth connection

## Dimensional data



## Technical Data

Operating temperature : -25 °C /+80 °C  
 Housing/Molded body : TPU, self-extinguishing  
 Degree of Protection : IP 67  
 Contact : CuZn, nickel-plated and tin-plated

Contact Resistance :  $\leq 5m\Omega$   
 Nominal current at 40 °C : 4A  
 Nominal Voltage : 240V  
 Rated Voltage : 250V  
 Pollution degree : 3

## Catalog Number

Part-No	Poles	Face View female	Color Code	Conductors		Outer Jacket	
				Guage	Stranding	$\phi$ mm	Material
V-FAZBOV532	2+ 		1 = brown 2 = blue = green / yellow	0.50mm <sup>2</sup>	16x $\phi$ 0.20	5.0	PVC

"L"=Standard length:2.0m,3.0m,5.0m,10.0m. other cable length or cable specifications on request.

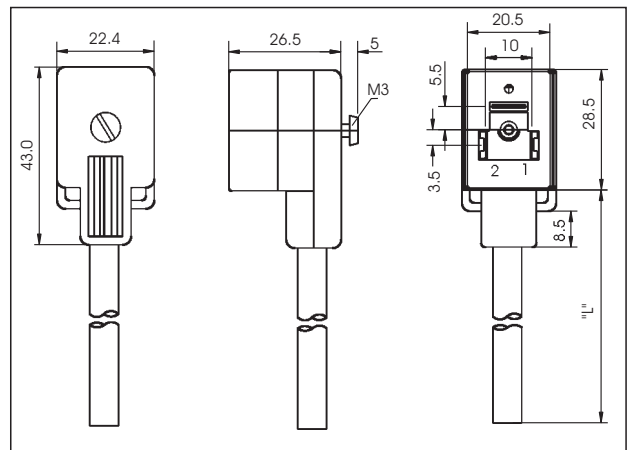
# VALVE-CONNECTORS,IP67

## View



- Valve connector according to DIN EN 175301-803
- Form B
- Without circuitry, 2+earth connection, cable exit 180 °

## Dimensional data



## Technical Data

Operating temperature : -25 °C / +80 °C  
 Housing/Molded body : TPU, self-extinguishing  
 Degree of Protection : IP 67  
 Contact : CuZn, nickel-plated and tin-plated

Contact Resistance :  $\leq 5m\Omega$   
 Nominal current at 40 °C : 4A  
 Nominal Voltage : 240V  
 Rated Voltage : 250V  
 Pollution degree : 3

## Catalog Number

Part-No	Poles	Face View female	Color Code	Conductors		Outer Jacket	
				Gauge	Stranding	$\phi$ mm	Material
V-FAEBOV542	2+ 		1 = brown 2 = blue = green / yellow	0.75mm <sup>2</sup>	24 x $\phi$ 0.20	6.0	PVC

"L"=Standard length:2.0m,3.0m,5.0m,10.0m. other cable length or cable specifications on request.

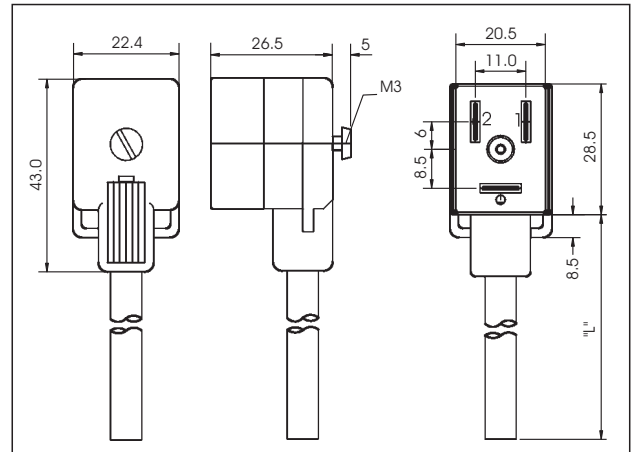
# VALVE-CONNECTORS, IP67

## View



- Valve connector similar to DIN EN 175301-803
- Industry standard form B
- 2+earth connection
- Without circuitry

## Dimensional data



## Technical Data

Operating temperature : -25 °C /+80 °C

Housing/Molded body : TPU, self-extinguishing

Degree of Protection : IP 67

Contact : CuZn, nickel-plated and tin-plated

Contact Resistance :  $\leq 5m\Omega$

Nominal current at 40 °C : 4A

Nominal Voltage : 240V

Rated Voltage : 250V

Pollution degree : 3

## Catalog Number

Part-No	Poles	Face View female	Color Code	Conductors		Outer Jacket	
				Guage	Stranding	$\phi$ mm	Material
V-FAZDOV542	2+ 		1 = brown 2 = blue = green / yellow	0.75mm <sup>2</sup>	24 x $\phi$ 0.20	6.0	PVC

"L"=Standard length:2.0m,3.0m,5.0m,10.0m. other cable length or cable specifications on request.

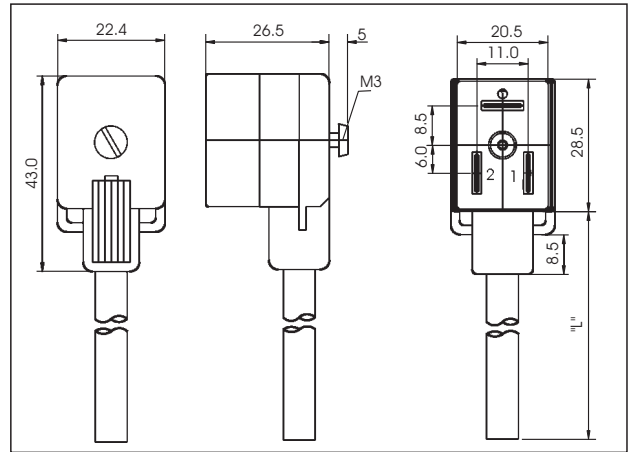
# VALVE-CONNECTORS,IP67

## View



- Valve connector similar to DIN EN 175301-803
- Industry standard form B
- Cable exit 180°
- Without circuitry
- 2+earth connection

## Dimensional data



## Technical Data

Operating temperature : -25 °C / +80 °C  
 Housing/Molded body : TPU, self-extinguishing  
 Degree of Protection : IP 67  
 Contact : CuZn, nickel-plated and tin-plated

Contact Resistance :  $\leq 5m\Omega$   
 Nominal current at 40 °C : 4A  
 Nominal Voltage : 240V  
 Rated Voltage : 250V  
 Pollution degree : 3

## Catalog Number

Part-No	Poles	Face View female	Color Code	Conductors		Outer Jacket	
				Guage	Stranding	$\phi$ mm	Material
V-FAEDOV542	2+ 		1 = brown 2 = blue = green / yellow	0.75mm <sup>2</sup>	24 x $\phi$ 0.20	6.0	PVC

"L"=Standard length:2.0m,3.0m,5.0m,10.0m. other cable length or cable specifications on request.

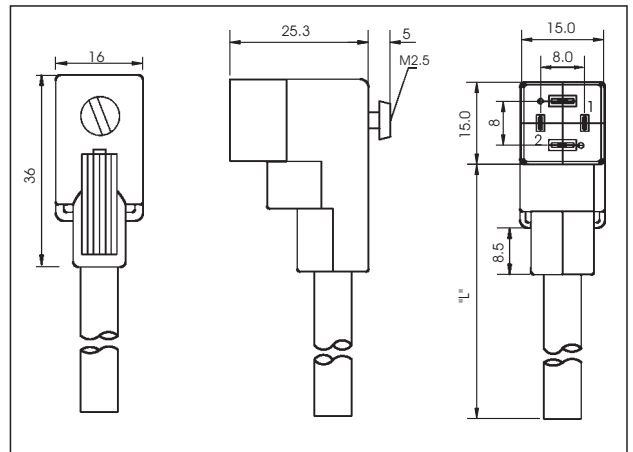
# VALVE-CONNECTORS, IP67

## View



- Valve connector according to DIN EN 175301-803
- Form C, 8.0mm
- 2+earth connection
- Connected protective earth
- Without circuitry

## Dimensional data



## Technical Data

Operating temperature : -25 °C / +80 °C  
 Housing/Molded body : TPU, self-extinguishing  
 Degree of Protection : IP 67  
 Contact : CuZn, nickel-plated and tin-plated

Contact Resistance :  $\leq 5m\Omega$   
 Nominal current at 40 °C : 4A  
 Nominal Voltage : 240V  
 Rated Voltage : 250V  
 Pollution degree : 3

## Catalog Number

Part-No	Poles	Face View female	Color Code	Conductors		Outer Jacket	
				Guage	Stranding	$\phi$ mm	Material
V-FANCOV532	2+ 		1 = brown 2 = blue = green / yellow	0.50mm <sup>2</sup>	16x $\phi$ 0.20	5.0	PVC

"L"=Standard length:2.0m,3.0m,5.0m,10.0m. other cable length or cable specifications on request.

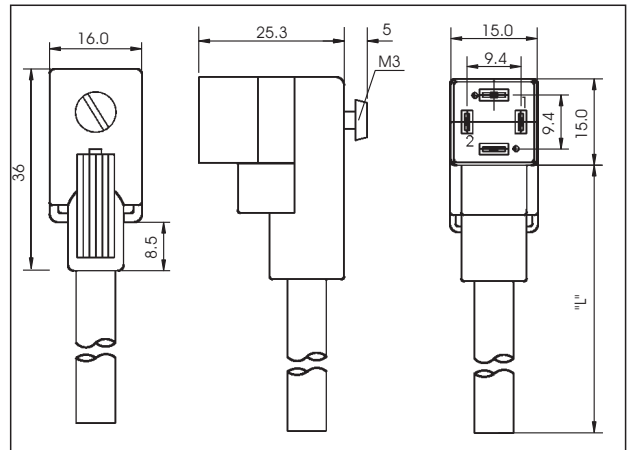
# VALVE-CONNECTORS,IP67

## View



- Valve connector similar to DIN EN 175301-803
- Industry standard form C (9.4mm)
- 2+earth connection
- Connected protective earth
- Without circuitry

## Dimensional data



## Technical Data

Operating temperature : -25 °C /+80 °C  
 Housing/Molded body : TPU, self-extinguishing  
 Degree of Protection : IP 67  
 Contact : CuZn, nickel-plated and tin-plated

Contact Resistance :  $\leq 5m\Omega$   
 Nominal current at 40 °C : 4A  
 Nominal Voltage : 240V  
 Rated Voltage : 250V  
 Pollution degree : 3

## Catalog Number

Part-No	Poles	Face View female	Color Code	Conductors		Outer Jacket	
				Guage	Stranding	$\phi$ mm	Material
V-FANGOV532	2+ 		1 = brown 2 = blue = green / yellow	0.50mm <sup>2</sup>	16 x $\phi$ 0.20	5.0	PVC

"L"=Standard length:2.0m,3.0m,5.0m,10.0m. other cable length or cable specifications on request.

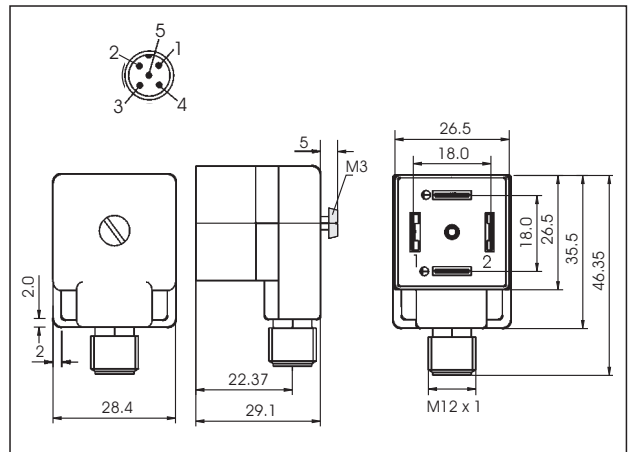
# VALVE-CONNECTORS, IP67

## View



- Valve connector according to DIN EN 175301-803
- Form A
- With LED function indicator, protection circuit with varistor
- Connected protective earth
- With M12(5pin) male receptacle connector

## Dimensional data



## Technical Data

Operating temperature : -25 °C /+80 °C

Housing/Molded body : TPU, self-extinguishing  
M12 : CuZn, Pre-nickeled and tin-plated

Degree of Protection : IP 67

Contact : CuZn, nickel-plated and tin-plated

Contact Resistance :  $\leq 5m\Omega$

Nominal current at 40 °C : 4A

Nominal Voltage : 24V

Rated Voltage : 32V

Pollution degree : 3

## Catalog Number

Part-No	Poles	Face View of Female	Circuit Protection
V-MANAVY02x+ M12-5	2+ ⊕ ⊖		

"L"-Standard length:2.0m,3.0m,5.0m,10.0m. other cable length or cable specifications on request.



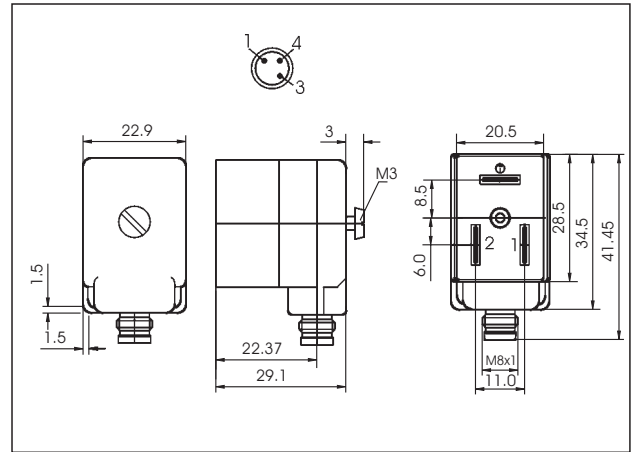
# VALVE-CONNECTORS,IP67

## View



- Valve connector according to DIN EN 175301-803
- Form B
- With LED function indicator, protection circuit with varistor, connected protective earth
- With M8(3pin) male receptacle connector

## Dimensional data



## Technical Data

Operating temperature : -25 °C / +80 °C

Housing/Molded body : TPU, self-extinguishing  
M8 : CuZn, nickel-plated

Degree of Protection : IP 67

Contact : CuZn, nickel-plated and tin-plated  
M8: CuZn, pre-nickel and 0.8 microns gold-plated

Contact Resistance :  $\leq 5m\Omega$

Nominal current at 40 °C : 4A

Nominal Voltage : 24V

Rated Voltage : 32V

Pollution degree : 3

## Catalog Number

Part-No	Poles	Face View of Female	Circuit Protection
V-MANDVY02x + M8-3	2+ 		

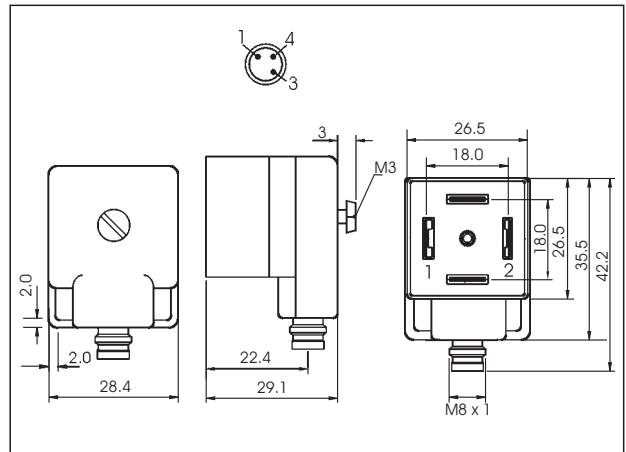
# VALVE-CONNECTORS, IP67

## View



- Valve connector according to DIN EN 175301-803
- Form A
- With LED function indicator, protection circuit with varistor, connected protective earth
- With M8(3pin) male receptacle connector

## Dimensional data



## Technical Data

Operating temperature : -25 °C /+80 °C

Housing/Molded body : TPU, self-extinguishing  
M8 : CuZn, nickel-plated

Degree of Protection : IP 67

Contact : CuZn, nickel-plated and tin-plated  
M8: CuZn, pre-nickeled and 0.8 microns gold-plated

Contact Resistance :  $\leq 5m\Omega$

Nominal current at 40 °C : 4A

Nominal Voltage : 24V

Rated Voltage : 32V

Pollution degree : 3

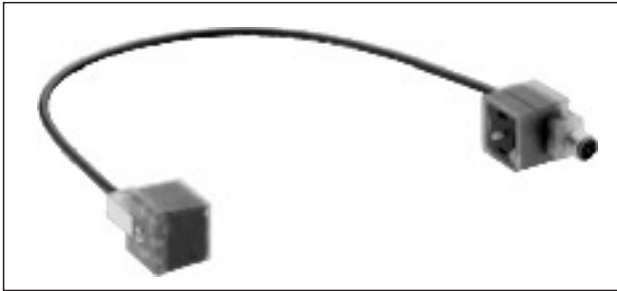
## Catalog Number

Part-No	Poles	Face View of Female	Circuit Protection
V-MANAVY02x+M8-3	2+ ⊕ ⊖		

"L"=Standard length:2.0m,3.0m,5.0m,10.0m. other cable length or cable specifications on request.

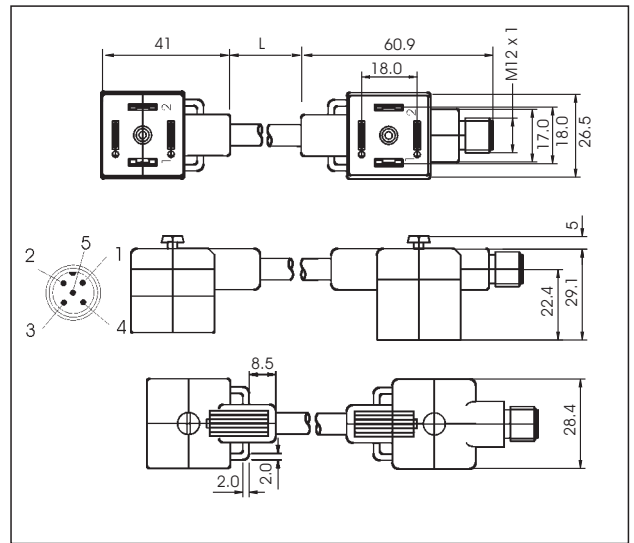
# VALVE-CONNECTORS,IP67

## View



Double solenoid valve adaptor (valve adaptor with integrated M12(5pin) male receptacle connector). According to DIN EN 175301-803, form A, with LED function indicator and varistor for voltage protection, connected protection earth.

## Dimensional data



## Technical Data

Operating temperature : -25 °C /+80 °C

Housing/Molded body : TPU, self-extinguishing

Degree of Protection : IP 67

Contact : CuZn, nickel-plated and tin-plated

Contact Resistance :  $\leq 5m\Omega$

Nominal current at 40 °C : 4A

Nominal Voltage : 24V

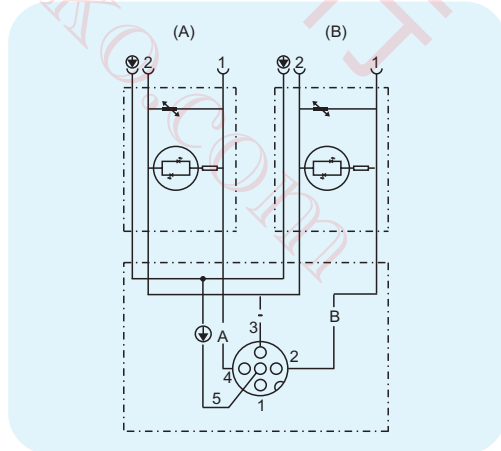
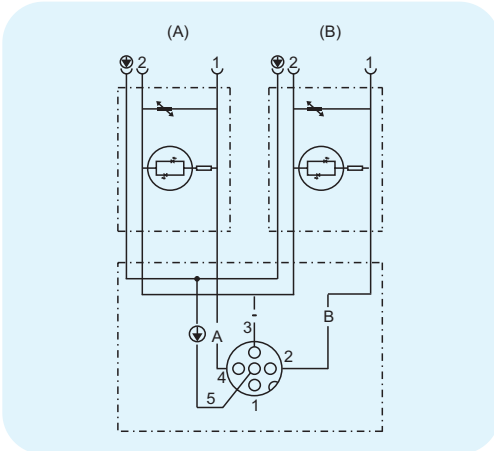
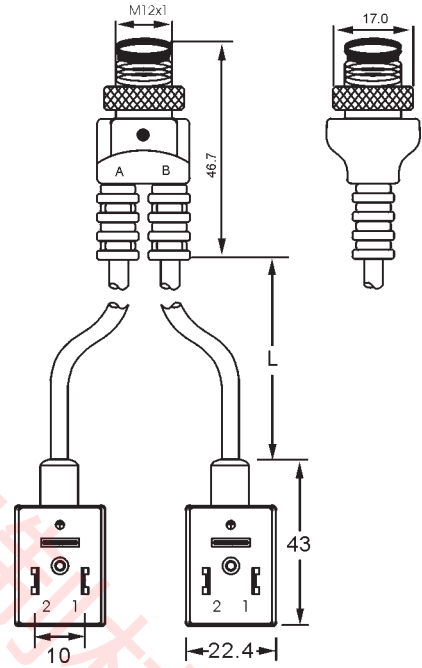
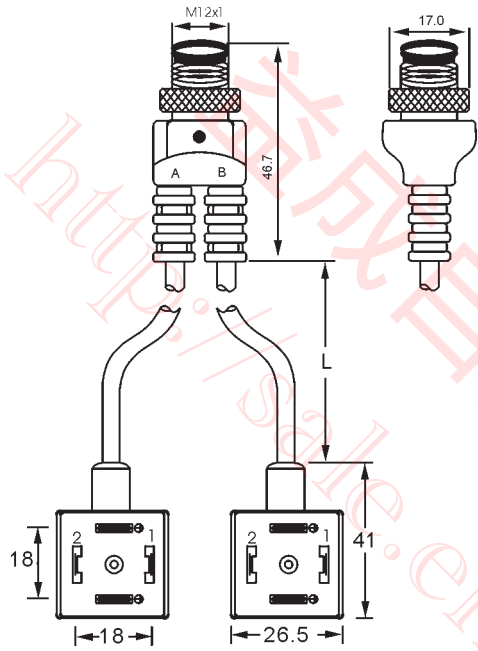
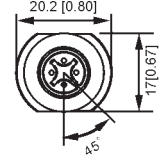
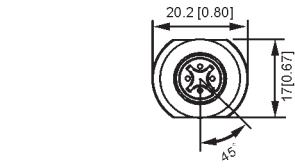
Rated Voltage : 32V

Pollution degree : 3

## Catalog Number

Part-No	Poles	Face View female	Color Code	Conductors		Outer Jacket		Circuit
				Gauge	Stranding	$\phi$ mm	Material	
V-MANAVU56x-M12 + V-FANAVU562	2+ 		1=brown 2=blue $\oplus$ =green / yellow	0.5mm <sup>2</sup>	64 x $\phi$ 0.10	5.5	PUR	

# SPLITTERS WITH VALVE-CONNECTORS



## Description

Micro Splitters with valve connectors  
 Variety of standard cable lengths  
 Outstanding resistance to oils and chemicals

## Technical Data

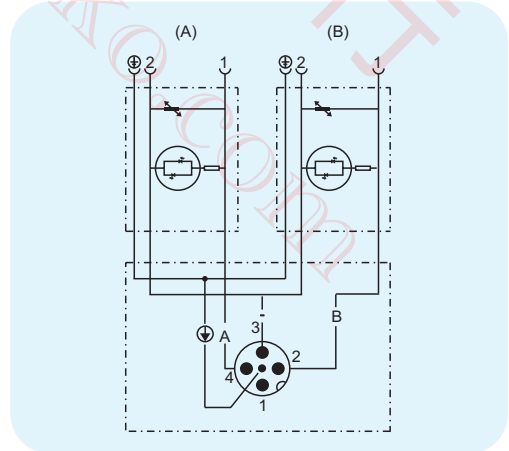
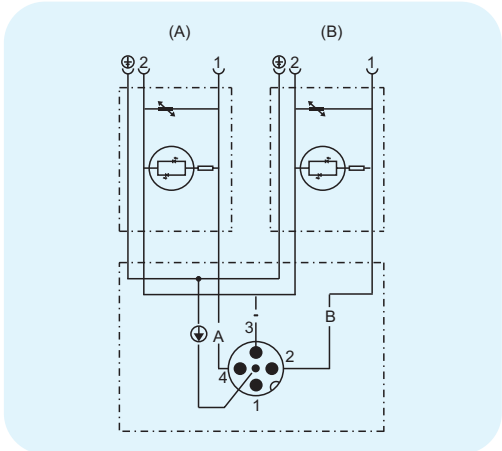
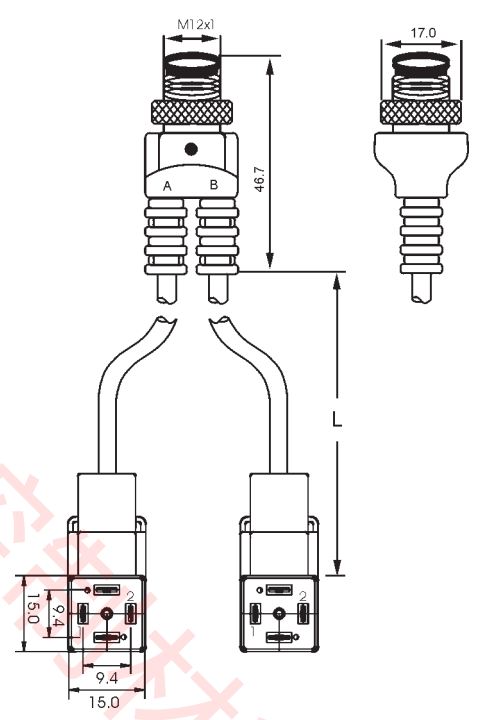
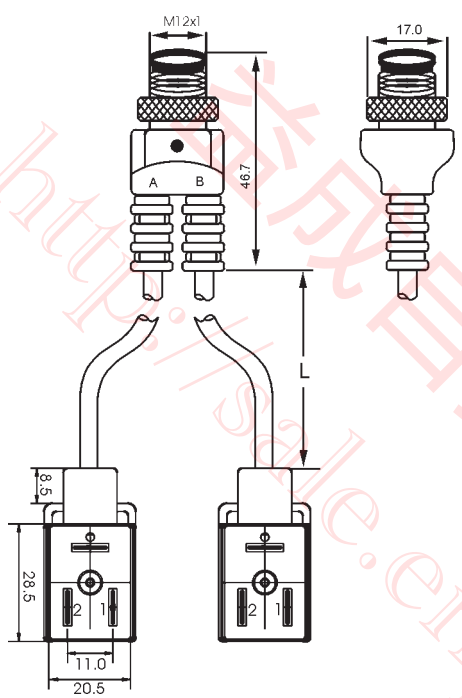
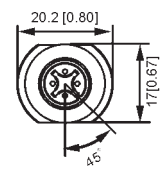
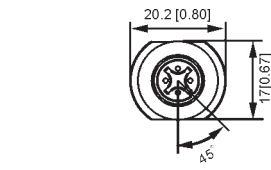
1.Application Class:	-25 °C to +90 °C	Working Voltage:	10-30VDC(w/LED)
2.Materials:		Insulation Resistance:	>10 <sup>9</sup> Ω
Molded Body:	PUR(Polyurethane),Orange	4.Mechanical Data:	
Contact:	Brass, gold over nickel plating	Insertion Force (contact):	≤ 2.0N( .45LBS)
Insert:	PUR(Polyurethane),black	Withdrawal Force (contact):	≥ 0.5N( .11LBS)
Coupling Nut:	Brass,nickel plated	Protection:	Ip67, NEMA 6(only in fully locked position)
DIN Body:	Polypropylene		
3.Electrical Date:			
Contact Resistance:	≤ 5m Ω		
Current Rating	4A		

## Order Information

Part Number	Face View	Description
U2-R5/3V-FANAVY052		Splitter with two Form A valve connectors, which featured with built-in LED and varistor for voltage protection, connected protective earth.
U2-R5/3V-FANAVV552		
U2-R5/3V-FAZBVY052		Splitter with two Form B valve connectors, which featured with built-in LED and varistor for voltage protection.
U2-R5/3V-FAZBVV552		

"L"=Standard length:2.0m,3.0m,5.0m,10.0m. other cable length or cable specifications on request.

# SPLITTERS WITH VALVE-CONNECTORS



# SPLITTERS WITH VALVE-CONNECTORS

## Description

Micro Splitters with valve connectors  
 Variety of standard cable lengths  
 Outstanding resistance to oils and chemicals

## Technical Data

1.Application Class:	-25 °C to +90 °C	Working Voltage:	10-30VDC(with LED)
2.Materials:		Insulation Resistance:	>10 <sup>9</sup> Ω
Molded Body:	PUR(Polyurethane),Orange	4.Mechanical Data:	
Contact:	Brass, gold over nickel plating	Insertion Force (contact):	≤ 2.0N( .45LBS)
Insert:	PUR(Polyurethane),black	Withdrawal Force (contact):	≥ 0.5N( .11LBS)
Coupling Nut:	Brass,nickel plated	Protection:	Ip67, NEMA 6(only in fully locked position)
DIN Body:	Polypropylene		
3.Electrical Date:			
Contact Resistance:	≤ 5m Ω		
Current Rating	4A		

## Order Information

Part Number	Face View	Description
U2-R5/3V-FAZDVY052		Splitter with two Form B valve connectors, which featured with built-in LED and varistor for voltage protection, connected protective earth.
U2-R5/3V-FAZDVV552		
U2-R5/3V-FANGVY052		Splitter with two Form C valve connectors, which featured with built-in LED and varistor for voltage protection, connected protective earth.
U2-R5/3V-FANGVV552		

"L"=Standard length:2.0m,3.0m,5.0m,10.0m. other cable length or cable specifications on request.

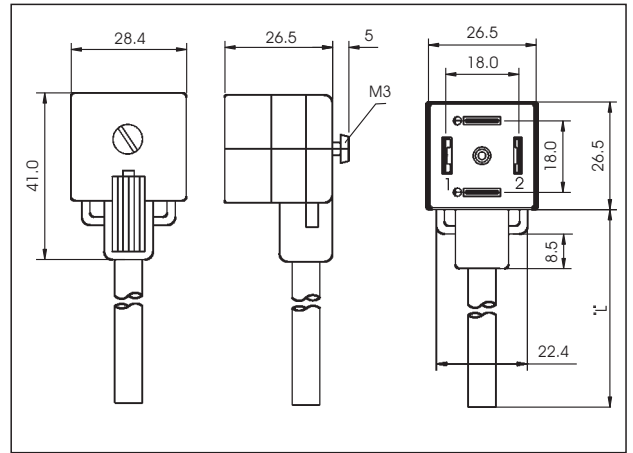
# VALVE-CONNECTORS,IP67

## View



- Valve connector according to DIN EN 175301-803
- Form A
- Connected protective earth
- With LED function indicator, recovery diode voltage protection

## Dimensional data



## Technical Data

Operating temperature : -25 °C /+80 °C  
 Housing/Molded body : TPU, self-extinguishing  
 Degree of Protection : IP 67  
 Contact : CuZn, nickel-plated and tin-plated

Contact Resistance :  $\leq 5m\Omega$   
 Nominal current at 40 °C : 4A  
 Nominal Voltage : 24V  
 Rated Voltage : 32V  
 Pollution degree : 3

## Catalog Number

Part-No	Poles	Face View female	Color Code	Conductors		Outer Jacket	
				Guage	Stranding	$\phi$ mm	Material
V-FANAKV532	2+ 		1 = brown 2 = blue = green / yellow	0.50mm <sup>2</sup>	16x $\phi$ 0.20	5.0	PVC

"L"=Standard length:2.0m,3.0m,5.0m,10.0m. other cable length or cable specifications on request.



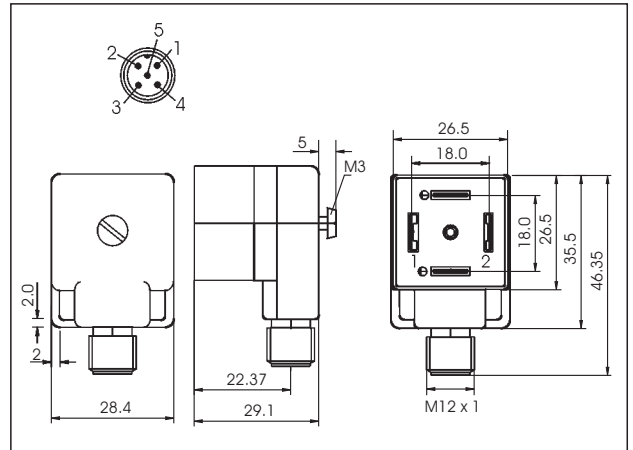
# VALVE-CONNECTORS,IP67

## View



- Connector for pressure switches according to DIN EN 175301-803
- Form A
- With LED operation and function indicator
- Connected protective earth
- With M12(5pin) male receptacle connector

## Dimensional data



## Technical Data

Operating temperature : -25 °C /+80 °C

Housing/Molded body : TPU, self-extinguishing  
M12 : CuZn,Pre-nickeled and tin-plated

Degree of Protection : IP 67

Contact : CuZn, nickel-plated and tin-plated

Contact Resistance :  $\leq 5m\Omega$

Nominal current at 40 °C : 4A

Nominal Voltage : 24V DC

Rated Voltage : 32V

Pollution degree : 3

## Catalog Number

Part-No	Poles	Face View of Female	Circuit Protection
V-MANATY02x+ M12-5	2+ ⊕		

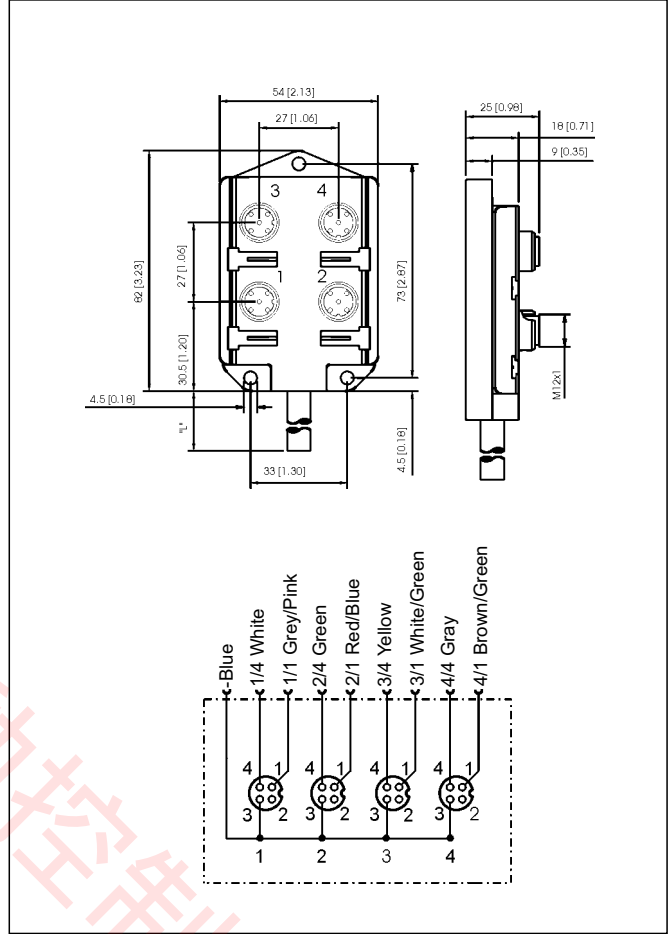
"L"=Standard length:2.0m,3.0m,5.0m,10.0m. other cable length or cable specifications on request.

# DISTRIBUTION BOXES(DBR-SERIES)

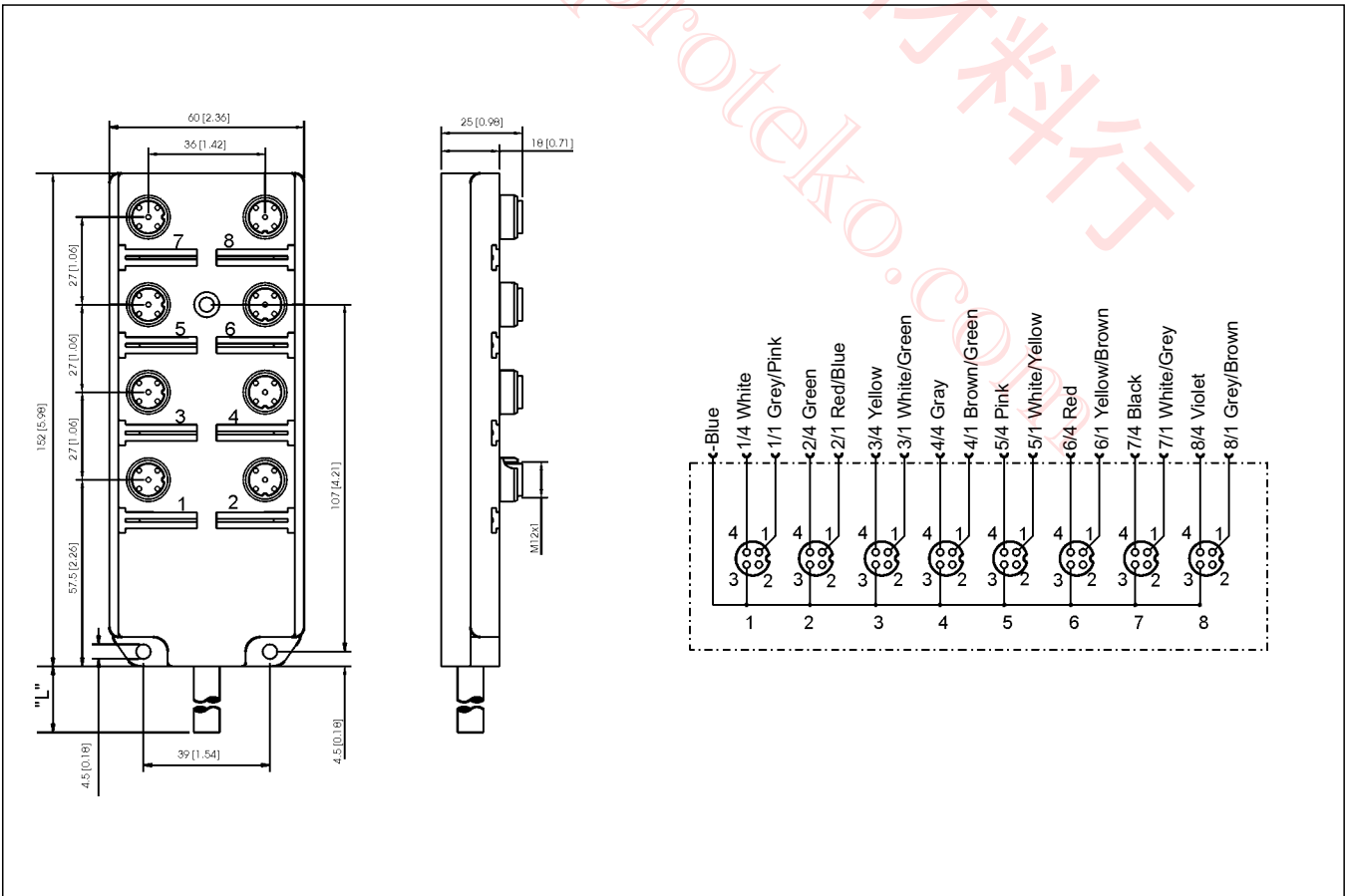
## View



## Dimensional data



## Dimensional data



# DISTRIBUTION BOXES (DBR-SERIES)

## Description

Distribution Boxes,4-8 port-Cable Version

4 poles 3 wires module for DC applications,with two dust covers and ten attachable molds

## Technical Data

- |   |  |
|---|--|
| <p><b>1. Application Class:</b> -15°C to +90°C</p> <p><b>2. Materials:</b><br/>                 Housing: Nylon 6/6<br/>                 Contact: Brass,gold over nickel plating<br/>                 Receptacle Shell: Brass,nickel plated<br/>                 Insert: PUR(Polyurethane),black<br/>                 O-Ring: Viton</p> <p><b>3. Electrical Data:</b><br/>                 Contact Resistance: <math>\leq 5m\Omega</math><br/>                 Current Rating: 4 Amps per outlet<br/>                 12 Amp max per box<br/>                 Working Voltage: 60VAC/75VDC<br/>                 Insulation Resistance: <math>&gt;10^9\Omega</math></p> | <p><b>4. Mechanical Data:</b><br/>                 Insertion Force (contact): <math>\leq 2.0N</math> (.45LBS)<br/>                 Withdrawal Force (contact): <math>\geq 0.5N</math> (.11LBS)<br/>                 Protection: IP68,NEMA 6P(only in fully locked position)<br/>                 Shock: IEC-68-2-27<br/>                 Vibration: IEC-68-2-6</p> <p><b>5. CE Conformity with Standards:</b><br/>                 EN50082-1, EN50082-2 and IEC60947-5-2</p> |
|---|--|

## Order Information

Part Number	Poles	Color Code	Cable Type	
			Lead(mm <sup>2</sup> )	Outer Jacket
ASTR4-4/3UZ-40XX	4	1=grey/pink (1) red/blue (2) white/green (3) brown/green(4) 2=no wire 3=blue 4=white (1) green (2) yellow (3) grey (4)	3x0.80(160xφ0.08) 6x0.40(80xφ0.08)	φ9.0 PUR/PVC
DLTR8-4/3UZ-41XX	4	1=grey/pink (1) red/blue (2) white/green (3) brown/green (4) white/yellow (5) yellow/brown (6) white/grey (7) grey/brown (8) 2=no wire 3=blue 4=white (1) green (2) yellow (3) grey (4) pink (5) red (6) black (7) violet (8)	1x0.80(160xφ0.08) 16x0.40(80xφ0.08)	φ9.0 PUR/PVC

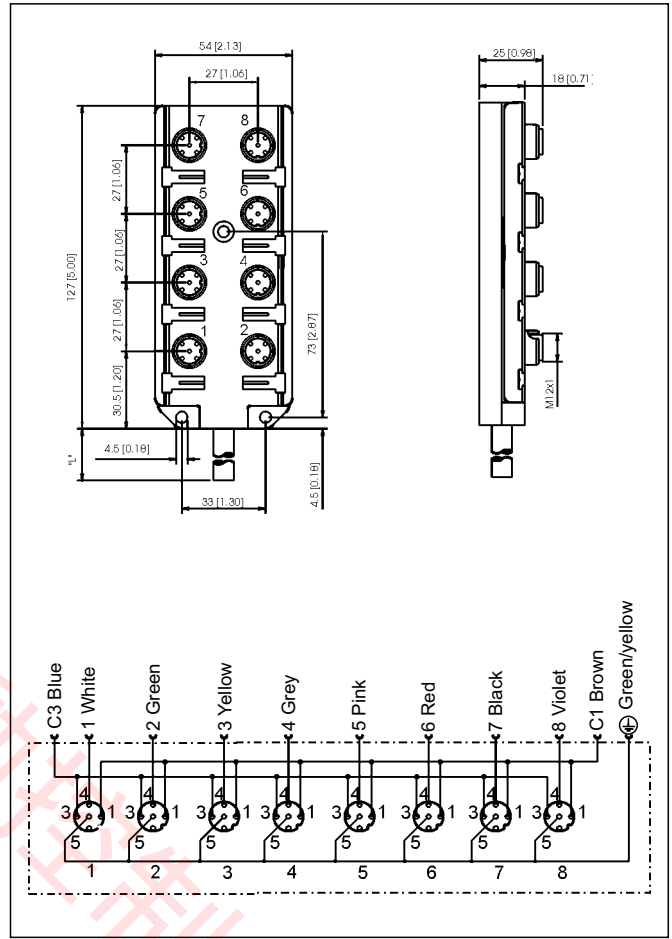
xx - Standard length :5.0m(05) and 10.0m(10). Other cable length or cable specifications on request

# DISTRIBUTION BOXES(DBR-SERIES)

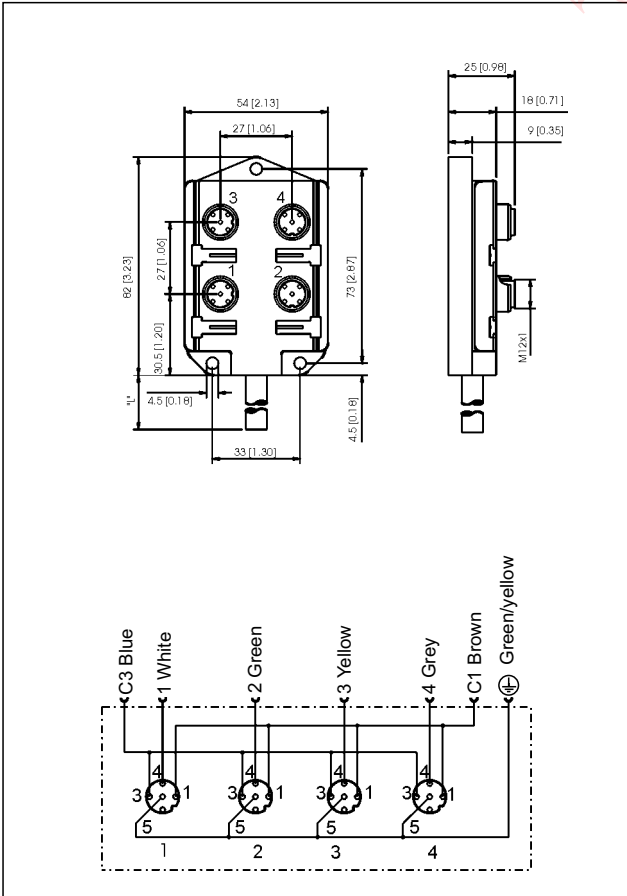
## View



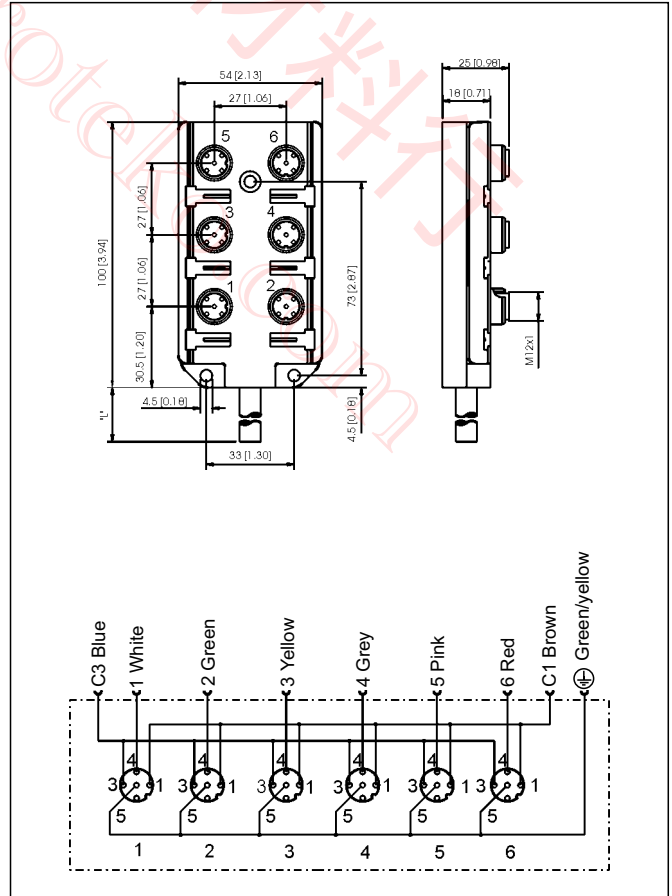
## Dimensional data



## Dimensional data



## Dimensional data



# DISTRIBUTION BOXES (DBR-SERIES)

## Description

Distribution Boxes,4-6-8 port-Cable Version

5 poles 4 wires,earth connection,with two dust covers and ten attachable molds

## Technical Data

<b>1. Application Class:</b>	-15°C to +90°C	<b>4. Mechanical Data:</b>	
<b>2. Materials:</b>		Insertion Force:	
Housing:	Nylon 6/6 Optional-yellow	(contact):	≤2.0N( .45LBS)
Contact:	Brass,gold over nickel plating	Withdrawal Force	
Receptacle Shell:	Brass,nickel plated	(contact):	≥0.5N( .11LBS)
Insert:	PUR(Polyurethane),black	Protection:	IP68,NEMA 6P(only in fully locked position)
O-Ring:	Viton	Shock:	IEC-68-2-27
<b>3. Electrical Data:</b>		Vibration:	IEC-68-2-6
Contact Resistance:	≤5m Ω	<b>5. CE Conformity with Standards:</b>	
Current Rating:	4 Amps per outlet 12 Amp max per box	EN50082-1, EN50082-2 and IEC60947-5-2	
Working Voltage:	250VAC		
Insulation Resistance:	>10 <sup>9</sup> Ω		

## Order Information

Part Number	Poles	Color Code	Cable Type	
			Lead(mm <sup>2</sup> )	Outer Jacket
ASTR4-5/4AZ-30XX	5 	1 = brown (+) 2 = No Wire 3 = blue (-) 4 = white (1) green (2) yellow (3) grey (4) 5 = green/yellow (GND)	3x0.75(96xφ0.10) 4x0.34(42xφ0.10)	PUR/PVC φ8.4 PVC (irradiated) PVC
ASTR4-5/4AZ-20XX				
ASTR4-5/4AZ-10XX				
DSTR6-5/4AZ-33XX	5 	1 = brown (+) 2 = No Wire 3 = blue (-) 4 = white (1) green (2) yellow (3) grey (4) pink (5) red (6) 5 = green/yellow (GND)	3x0.75(96xφ0.10) 6x0.34(42xφ0.10)	PUR/PVC φ9.0 PVC (irradiated) PVC
DSTR6-5/4AZ-21XX				
DSTR6-5/4AZ-11XX				
DSTR8-5/4AZ-32XX	5 	1 = brown (+) 2 = No Wire 3 = blue (-) 4 = white (1) green (2) yellow (3) grey (4) pink (5) red (6) black (7) violet (8) 5 = green/yellow (GND)	3x0.75(96xφ0.10) 8x0.34(42xφ0.10)	PUR/PVC φ9.0 PVC (irradiated) PVC
DSTR8-5/4AZ-22XX				
DSTR8-5/4AZ-12XX				

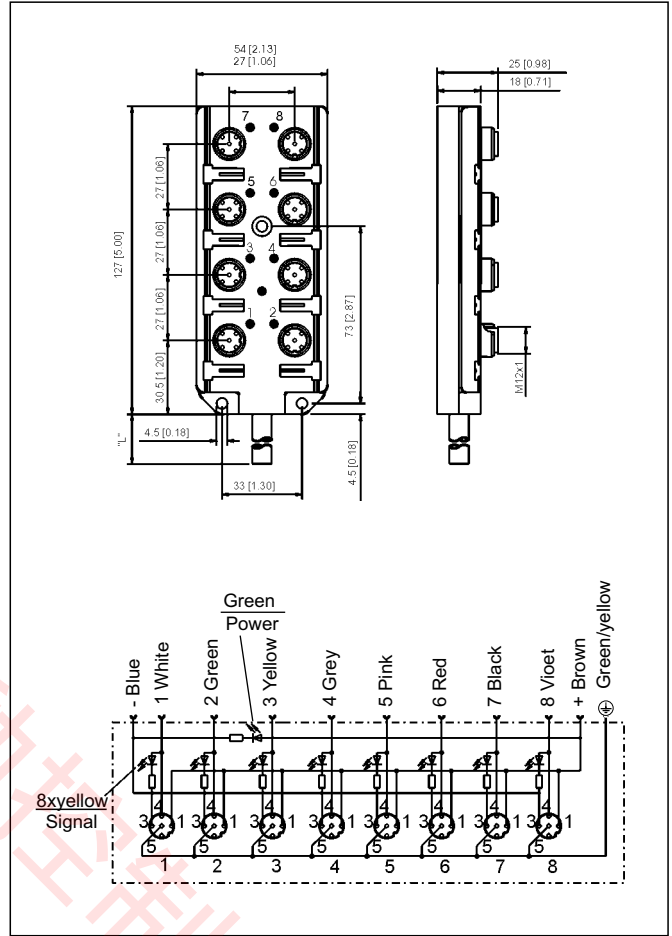
xx - Standard length :5.0m(05) and 10.0m(10). Other cable length or cable specifications on request

# DISTRIBUTION BOXES(DBR-SERIES)

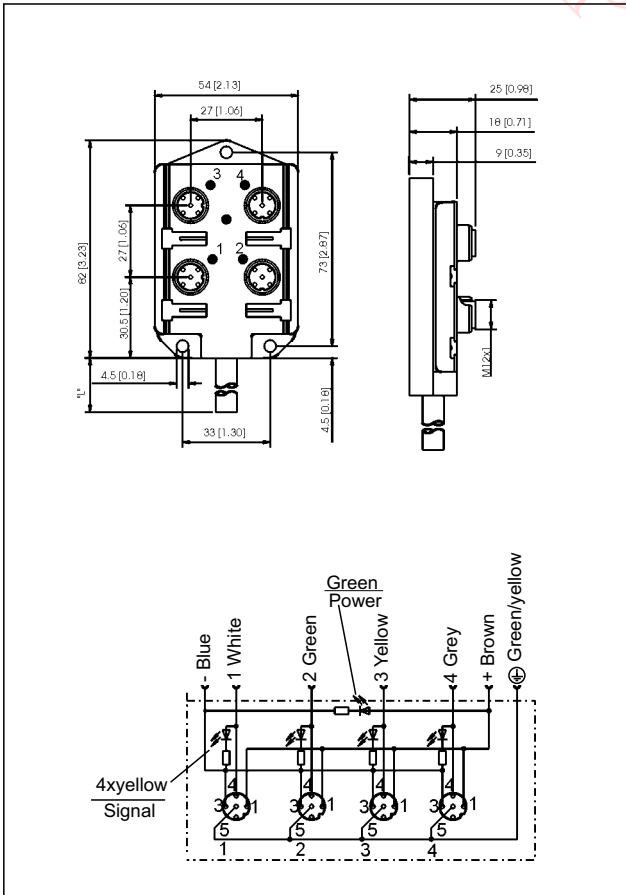
## View



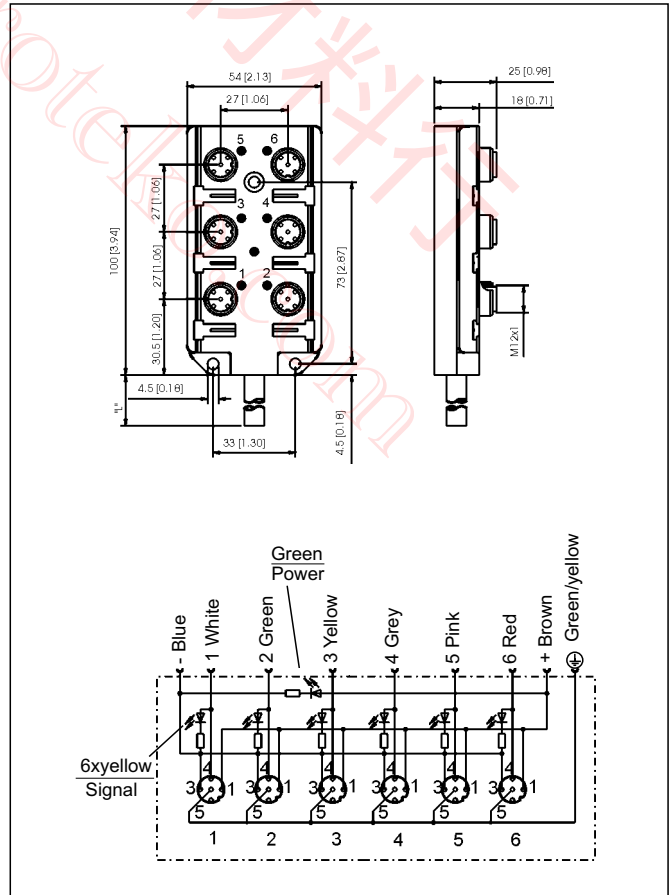
## Dimensional data



## Dimensional data



## Dimensional data



# DISTRIBUTION BOXES (DBR-SERIES)

## Description

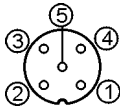
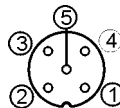
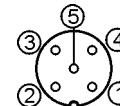
Distribution Boxes,4-6-8 port Cable Version

5 poles 4 wires,with built-in LED's(PNP).earth connection,with two dust covers and ten attachable molds

## Technical Data

1. Application Class:	-15°C to +90°C	4. Mechanical Data:	
2. Materials:		Insertion Force	
Housing:	Nylon 6/6 Optional-yellow	(contact):	≤ 2.0N (.45LBS)
Contact:	Brass,gold over nickel plating	Withdrawal Force	
Receptacle Shell:	Brass,nickel plated	(contact):	≥ 0.5N (.11LBS)
Insert:	PUR(Polyurethane),black	Protection:	IP68,NEMA 6P(only in fully locked position)
O-Ring:	Viton	Shock:	IEC-68-2-27
3. Electrical Data:		Vibration:	IEC-68-2-6
Contact Resistance:	≤ 5m Ω	5. CE Conformity with Standards:	
Current Rating:	4 Amps per outlet 12 Amp max per box		EN50082-1, EN50082-2 and IEC60947-5-2
Working Voltage:	10-30VDC		
Insulation Resistance:	>10 <sup>9</sup> Ω		

## Order Information

Part Number	Poles	Color Code	Cable Type	
			Lead(mm <sup>2</sup> )	Outer Jacket
ASTR4-5/4PA-30XX	5 	1 = brown (+) 2 = No Wire 3 = blue (-) 4 = white (1) green (2) yellow (3) grey (4) 5 = green/yellow (GND)	3x0.75(96X φ 0.10)	φ 8.4 PUR/PVC PVC (irradiated) PVC
ASTR4-5/4PA-20XX			4X0.34(42X φ 0.10)	
ASTR4-5/4PA-10XX				
DSTR6-5/4PA-33XX	5 	1 = brown (+) 2 = No Wire 3 = blue (-) 4 = white (1) green (2) yellow (3) grey (4) pink (5) red (6) 5 = green/yellow (GND)	3x0.75(96X φ 0.10)	φ 9.0 PUR/PVC PVC (irradiated) PVC
DSTR6-5/4PA-21XX			6X0.34(42X φ 0.10)	
DSTR6-5/4PA-11XX				
DSTR8-5/4PA-32XX	5 	1 = brown (+) 2 = No Wire 3 = blue (-) 4 = white (1) green (2) yellow (3) grey (4) pink (5) red (6) black (7) violet (8) 5 = green/yellow (GND)	3x0.75(96X φ 0.10)	φ 9.0 PUR/PVC PVC (irradiated) PVC
DSTR8-5/4PA-22XX			8X0.34(42X φ 0.10)	
DSTR8-5/4PA-12XX				

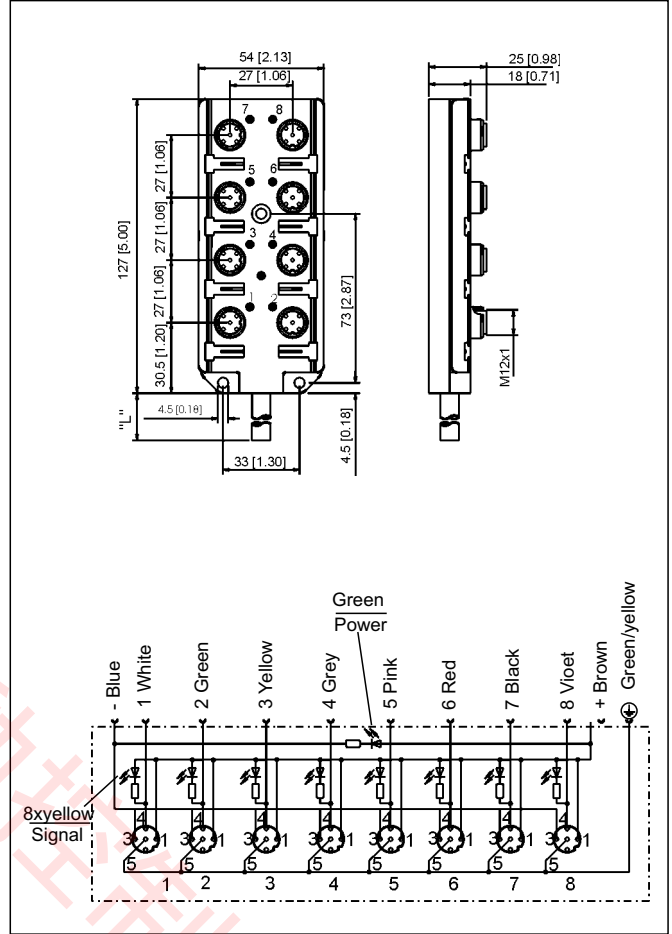
xx - Standard length :5.0m(05) and 10.0m(10). Other cable length or cable specifications on request

# DISTRIBUTION BOXES(DBR-SERIES)

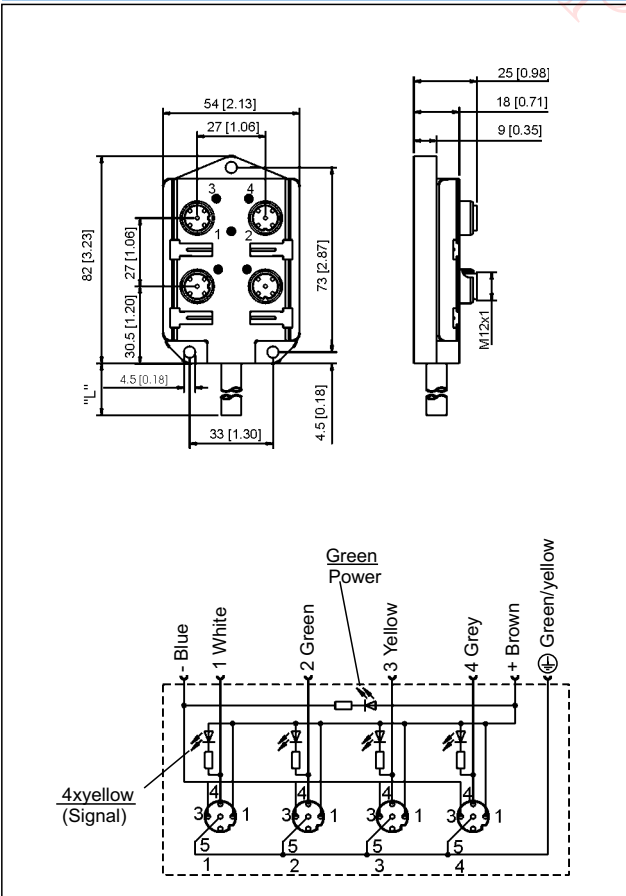
## View



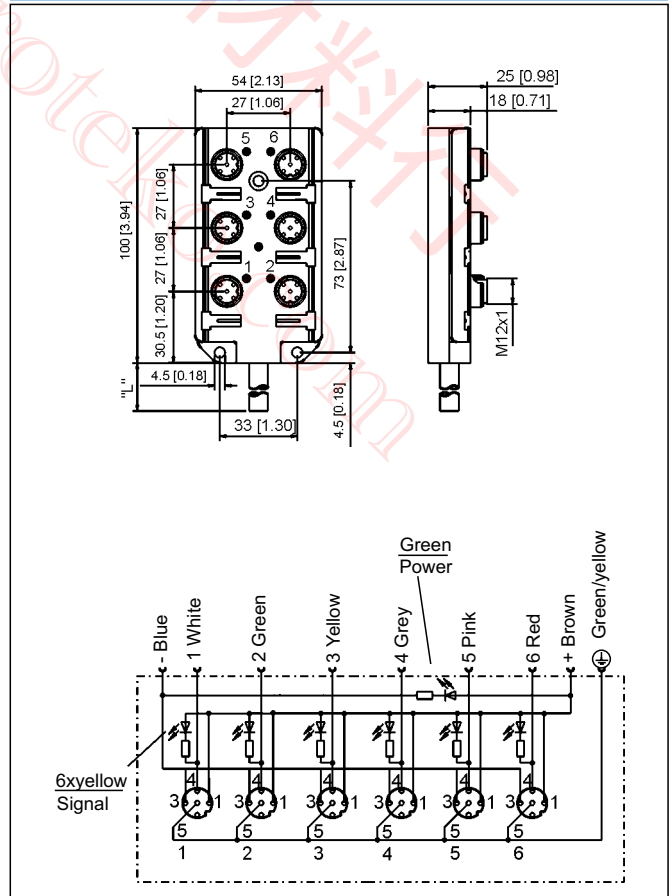
## Dimensional data



## Dimensional data



## Dimensional data





# DISTRIBUTION BOXES (DBR-SERIES)

## Description

Distribution Boxes,4-6-8 port Cable Version

5 poles 4 wires,with built-in LED's(NPN).earth connection,with two dust covers and ten attachable molds

## Technical Data

1. Application Class: -15°C to +90°C

### 2. Materials:

Housing: Nylon 6/6  
Optional-yellow  
Contact: Brass,gold over nickel plating  
Receptacle Shell: Brass,nickel plated  
Insert: PUR(Polyurethane),black  
O-Ring: Viton

### 3. Electrical Data:

Contact Resistance:  $\leq 5m\Omega$   
Current Rating: 4 Amps per outlet  
12 Amp max per box  
Working Voltage: 10-30VDC  
Insulation Resistance:  $>10^9\Omega$

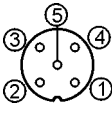
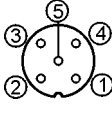
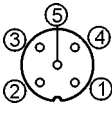
### 4. Mechanical Data:

Insertion Force (contact):  $\leq 2.0N$  (.45LBS)  
Withdrawal Force (contact):  $\geq 0.5N$  (.11LBS)  
Protection: IP68,NEMA 6P(only in fully locked position)  
Shock: IEC-68-2-27  
Vibration: IEC-68-2-6

### 5. CE Conformity with Standards:

EN50082-1, EN50082-2 and IEC60947-5-2

## Order Information

Part Number	Poles	Color Code	Cable Type	
			Lead(mm <sup>2</sup> )	Outer Jacket
ASTR4-5/4NA-30XX	5 	1 = brown (+) 2 = No Wire 3 = blue (-) 4 = white (1) green (2) yellow (3) grey (4) 5 = green/yellow (GND)	3x0.75(96X $\phi$ 0.10)	PUR/PVC
ASTR4-5/4NA-20XX		4X0.34(42X $\phi$ 0.10)	PVC (irradiated)	
ASTR4-5/4NA-10XX		PVC		
DSTR6-5/4NA-33XX	5 	1 = brown (+) 2 = No Wire 3 = blue (-) 4 = white (1) green (2) yellow (3) grey (4) pink (5) red (6) 5 = green/yellow (GND)	3x0.75(96X $\phi$ 0.10)	PUR/PVC
DSTR6-5/4NA-21XX		6X0.34(42X $\phi$ 0.10)	PVC (irradiated)	
DSTR6-5/4NA-11XX		PVC		
DSTR8-5/4NA-32XX	5 	1 = brown (+) 2 = No Wire 3 = blue (-) 4 = white (1) green (2) yellow (3) grey (4) pink (5) red (6) black (7) violet (8) 5 = green/yellow (GND)	3x0.75(96X $\phi$ 0.10)	PUR/PVC
DSTR8-5/4NA-22XX		8X0.34(42X $\phi$ 0.10)	PVC (irradiated)	
DSTR8-5/4NA-12XX		PVC		

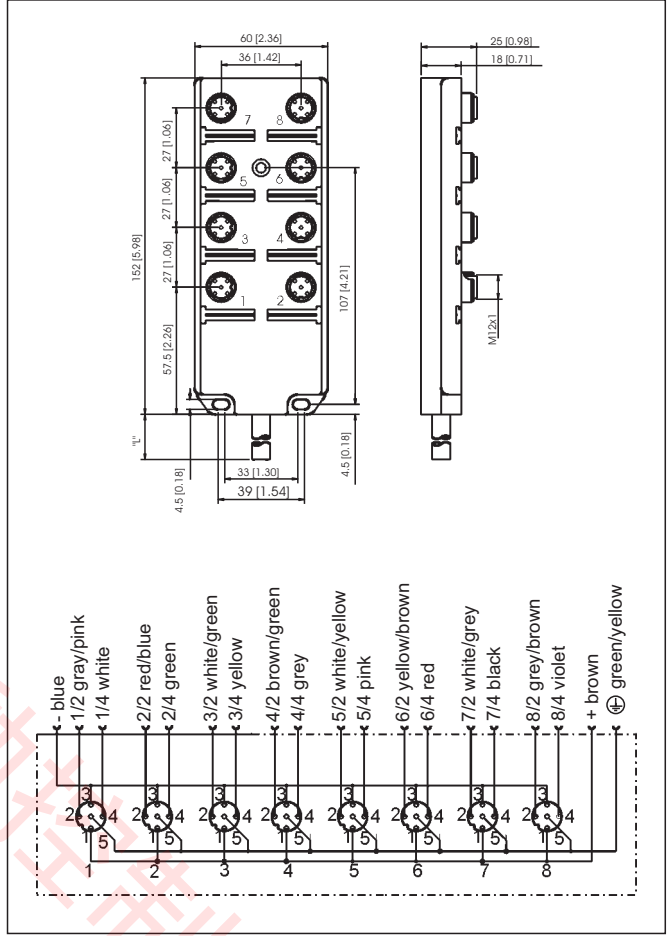
xx - Standard length :5.0m(05) and 10.0m(10). Other cable length or cable specifications on request

# DISTRIBUTION BOXES(DBR-SERIES)

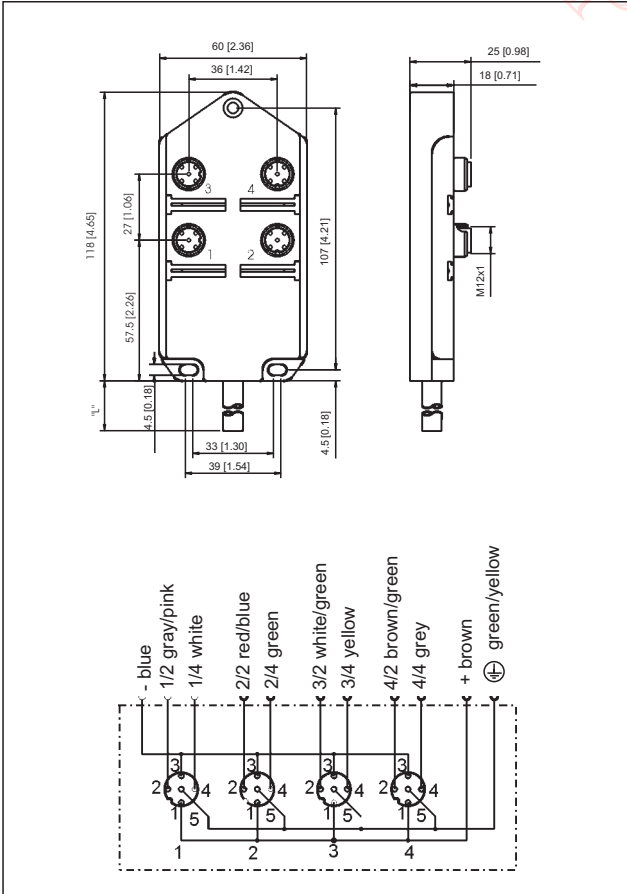
## View



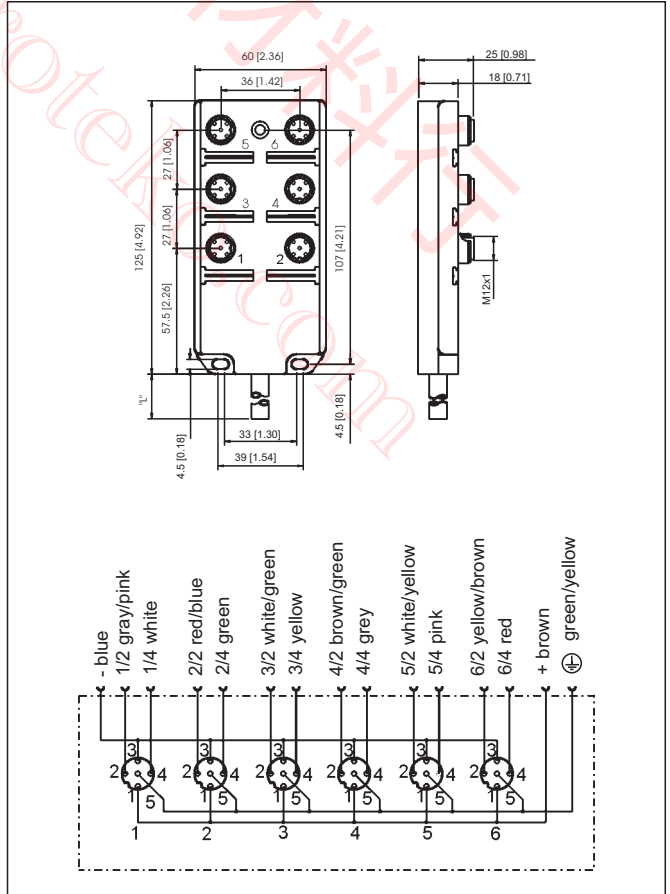
## Dimensional data



## Dimensional data



## Dimensional data



# DISTRIBUTION BOXES (DBR-SERIES)

## Description

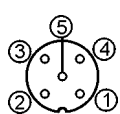
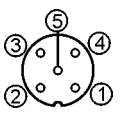
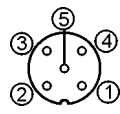
Distribution Boxes,4-6-8 port-Cable Version

5 poles 5 wires,earth connection,with two dust covers and ten attachable molds

## Technical Data

<b>1. Application Class:</b>	-15°C to +90°C	<b>4. Mechanical Data:</b>	
<b>2. Materials:</b>		Insertion Force	
Housing:	Nylon 6/6 Optional-yellow	(contact):	≤ 2.0N( .45LBS)
Contact:	Brass,gold over nickel plating	Withdrawal Force	
Receptacle Shell:	Brass,nickel plated	(contact):	≥ 0.5N( .11LBS)
Insert:	PUR(Polyurethane),black	Protection:	IP68,NEMA 6P(only in fully locked position)
O-Ring:	Viton	Shock:	IEC-68-2-27
<b>3. Electrical Data:</b>		Vibration:	IEC-68-2-6
Contact Resistance:	≤ 5m Ω	<b>5. CE Conformity with Standards:</b>	
Current Rating:	4 Amps per outlet 12 Amp max per box	EN50082-1, EN50082-2 and IEC60947-2	
Working Voltage:	110VAC/DC		
Insulation Resistance:	>10 <sup>9</sup> Ω		

## Order Information

Part Number	Poles	Color Code	Cable Type	
			Lead(mm <sup>2</sup> )	Outer Jacket
ALTR4-5/5UZ-36XX	5 	1 = brown (+) 3 = blue (-) 2 = grey/pink (1) red/blue (2) white/green (3) brown/green (4)	3x1.0(128x Φ 0.10) 8x0.5(64x Φ 0.10)	Φ 9.3 PUR
ALTR4-5/5UZ-13XX		4 = white (1) green (2) yellow (3) grey (4) 5 = green/yellow (GND)	3x1.0(128x Φ 0.10) 8x0.5(64x Φ 0.10)	Φ 9.3 PVC
DLTR6-5/5UZ-34XX	5 	1 = brown (+) 3 = blue (-) 2 = grey/pink (1) red/blue (2) white/green (3) brown/green (4) white/yellow (5) yellow/brown (6)	3x1.0(128x Φ 0.10) 12x0.5(64x Φ 0.10)	Φ 10.4 PUR
DLTR8-5/5UZ-38XX	5 	1 = brown (+) 3 = blue (-) 2 = grey/pink (1) red/blue (2) white/green (3) brown/green (4) white/yellow (5) yellow/brown (6) white/grey (7) grey/brown (8)	3x1.0(128x Φ 0.10) 16x0.5(64x Φ 0.10)	Φ 11.6 PUR
		4 = white (1) green (2) yellow (3) grey (4) pink (5) red (6) black (7) violet (8) 5 = green/yellow (GND)		

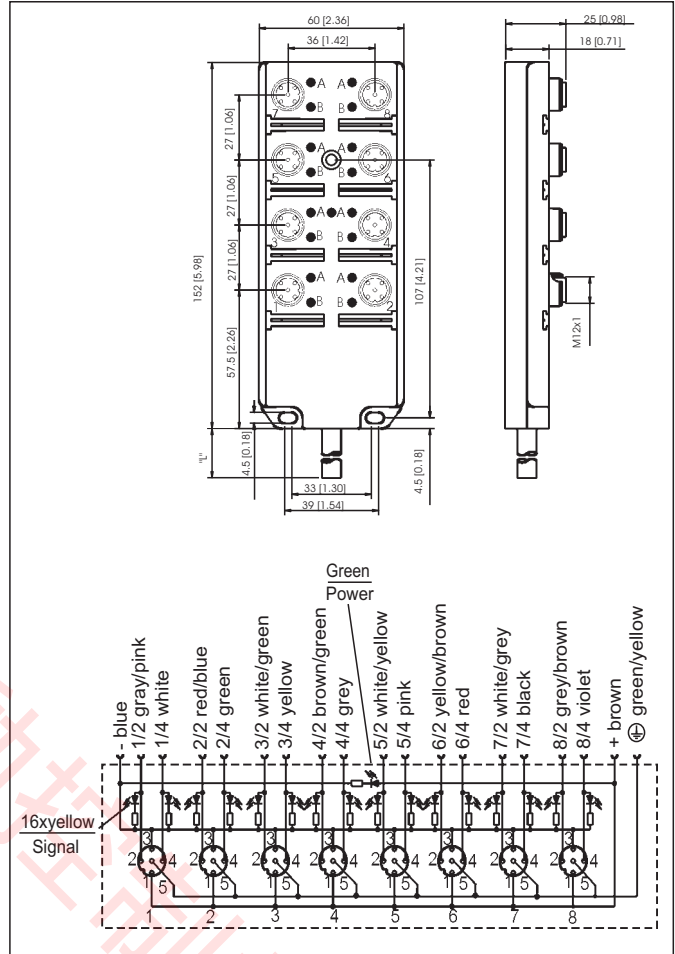
xx - Standard length :5.0m(05) and 10.0m(10). Other cable length or cable specifications on request

# DISTRIBUTION BOXES(DBR-SERIES)

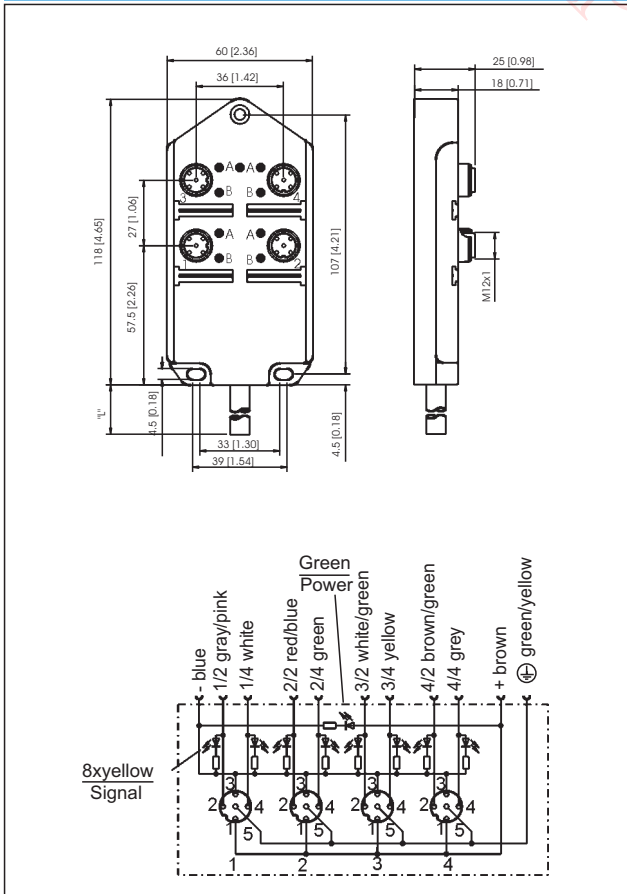
## View



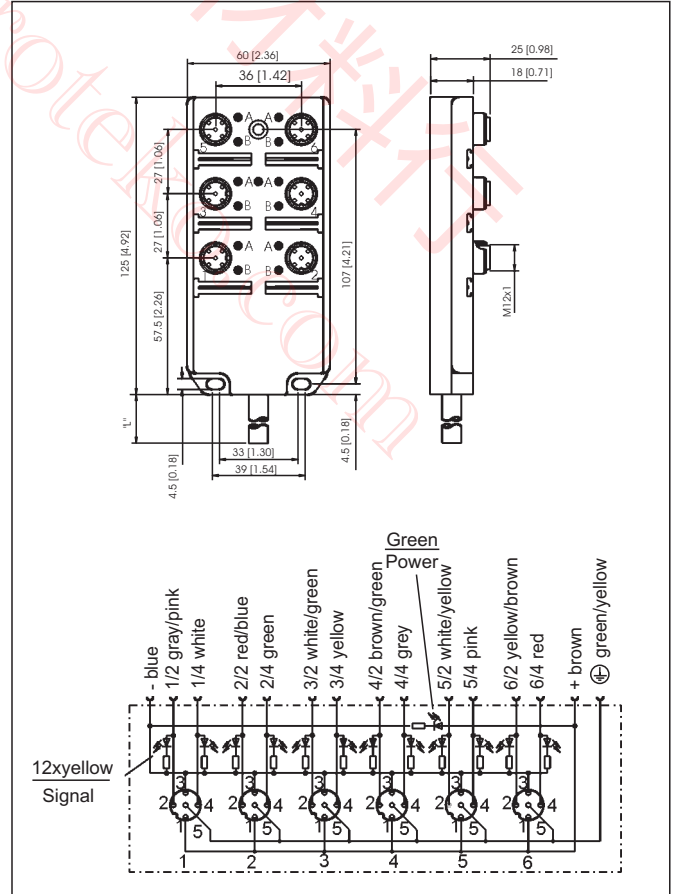
## Dimensional data



## Dimensional data



## Dimensional data



# DISTRIBUTION BOXES (DBR-SERIES)

## Description

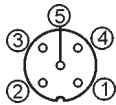
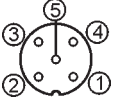
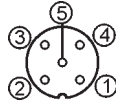
Distribution Boxes,4-6-8 port-Cable Version

5 poles 5 wires,with built-in LED,with two dust covers and ten attachable molds

## Technical Data

1. Application Class:	-15°C to +90°C	4. Mechanical Data:	
2. Materials:		Insertion Force	
Housing:	Nylon 6/6 Optional-yellow	(contact):	≤ 2.0N( .45LBS)
Contact:	Brass,gold over nickel plating	Withdrawal Force	
Receptacle Shell:	Brass,nickel plated	(contact):	≥ 0.5N( .11LBS)
Insert:	PUR(Polyurethane),black	Protection:	IP68,NEMA 6P(only in fully locked position)
O-Ring:	Viton	Shock:	IEC-68-2-27
3. Electrical Data:		Vibration:	IEC-68-2-6
Contact Resistance:	≤ 5m Ω	5. CE Conformity with Standards:	
Current Rating:	4 Amps per outlet 12 Amp max per box		EN50082-1, EN50082-2 and IEC60947-5-2
Working Voltage:	110VAC/DC		
Insulation Resistance:	>10 <sup>9</sup> Ω		

## Order Information

Part Number	Poles	Color Code	Cable Type	
			Lead(mm <sup>2</sup> )	Outer Jacket
ALTR4-5/5DC-36XX	5 	1 = brown (+) 3 = blue (-) 2 = grey/pink (1) red/blue (2) white/green (3) brown/green (4) 4 = white (1) green (2) yellow (3) grey (4) 5 = green/yellow (GND)	3x1.0(128x Φ 0.10) 8x0.5(64x Φ 0.10)	Φ 9.3 PUR
ALTR4-5/5DC-13XX		3x1.0(128x Φ 0.10) 8x0.5(64x Φ 0.10)	Φ 9.3 PVC	
DLTR6-5/5DC-34XX	5 	1 = brown (+) 3 = blue (-) 2 = grey/pink (1) red/blue (2) white/green (3) brown/green (4) white/yellow (5) yellow/brown (6) 4 = white (1) green (2) yellow (3) grey (4) pink (5) red (6) 5 = green/yellow (GND)	3x1.0(128x Φ 0.10) 12x0.5(64x Φ 0.10)	Φ 10.4 PUR
DLTR8-5/5DC-38XX	5 	1 = brown (+) 3 = blue (-) 2 = grey/pink (1) red/blue (2) white/green (3) brown/green (4) white/yellow (5) yellow/brown (6) white/grey (7) grey/brown (8) 4 = white (1) green (2) yellow (3) grey (4) pink (5) red (6) black (7) violet (8) 5 = green/yellow (GND)	3x1.0(128x Φ 0.10) 16x0.5(64x Φ 0.10)	Φ 11.6 PUR

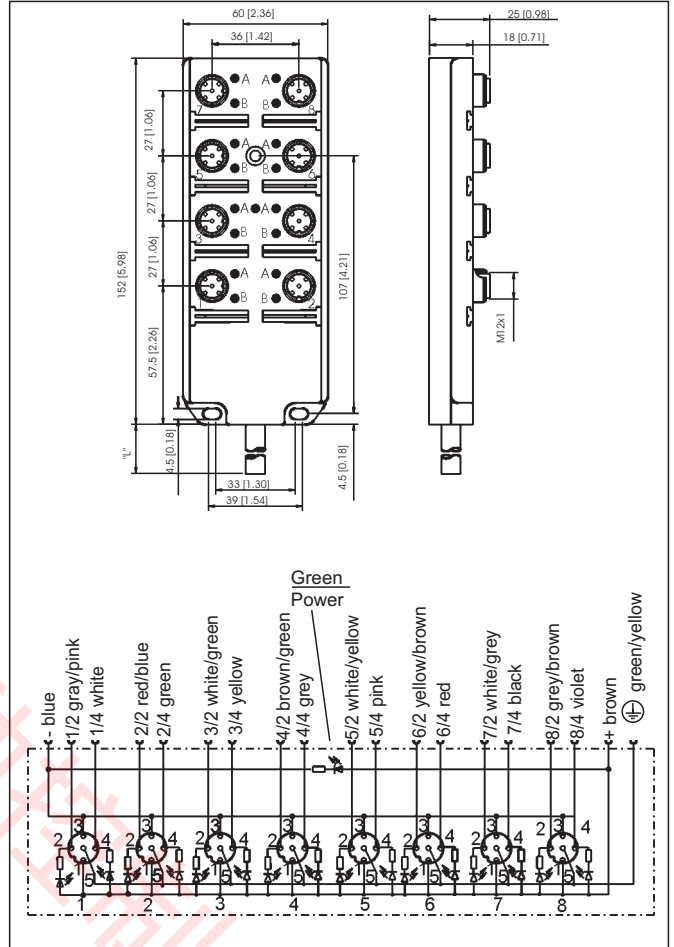
xx - Standard length :5.0m(05) and 10.0m(10). Other cable length or cable specifications on request

# DISTRIBUTION BOXES(DBR-SERIES)

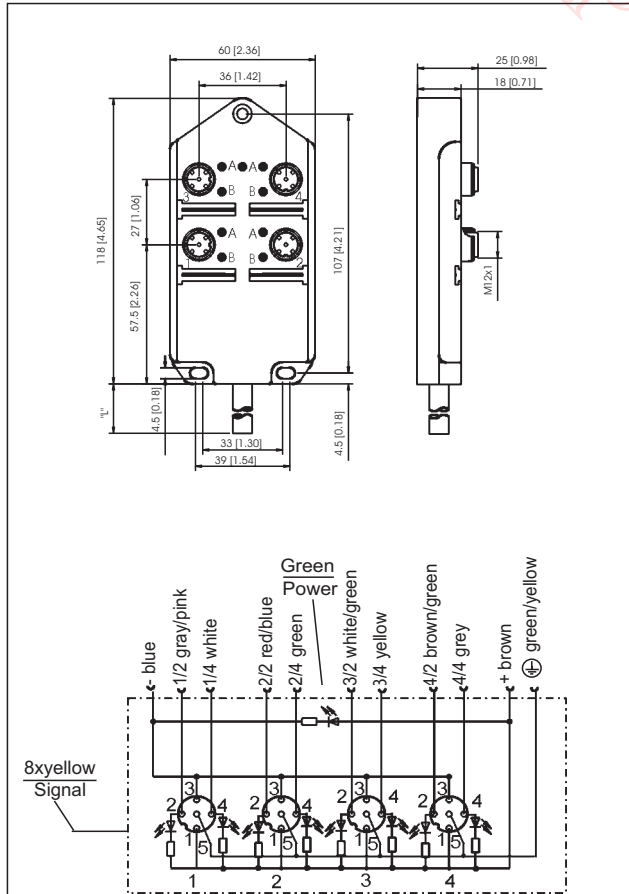
## View



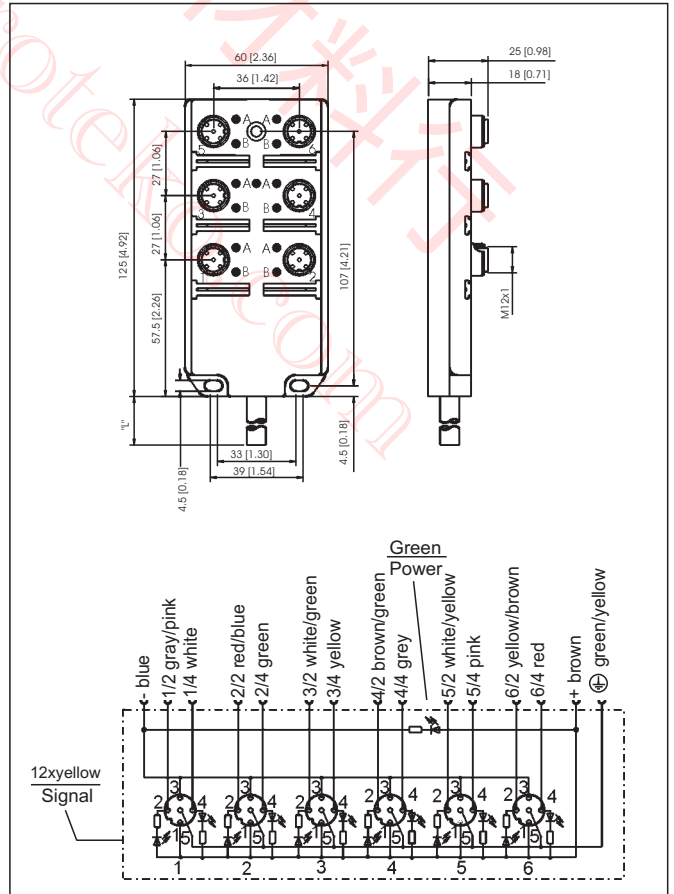
## Dimensional data



## Dimensional data



## Dimensional data



# DISTRIBUTION BOXES (DBR-SERIES)

## Description

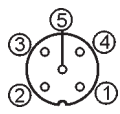
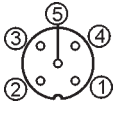
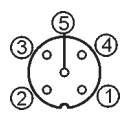
Distribution Boxes,4-6-8 port-Cable Version

5 poles 5 wires,with built-in LED,with two dust covers and ten attachable molds

## Technical Data

<p><b>1. Application Class:</b> -15°C to +90°C</p> <p><b>2. Materials:</b>                  Housing: Nylon 6/6                  Optional-yellow                  Contact: Brass,gold over nickel plating                  Receptacle Shell: Brass,nickel plated                  Insert: PUR(Polyurethane),black                  O-Ring: Viton</p> <p><b>3. Electrical Data:</b>                  Contact Resistance: <math>\leq 5m\Omega</math>                  Current Rating: 4 Amps per outlet                  12 Amp max per box                  Working Voltage: 110VAC/DC                  Insulation Resistance: <math>&gt;10^9\Omega</math></p>	<p><b>4. Mechanical Data:</b>                  Insertion Force (contact): <math>\leq 2.0N</math>(.45LBS)                  Withdrawal Force (contact): <math>\geq 0.5N</math>(.11LBS)                  Protection: IP68,NEMA 6P(only in fully locked position)                  Shock: IEC-68-2-27                  Vibration: IEC-68-2-6</p> <p><b>5. CE Conformity with Standards:</b>                  EN50082-1, EN50082-2 and IEC60947-5-2</p>
--	--

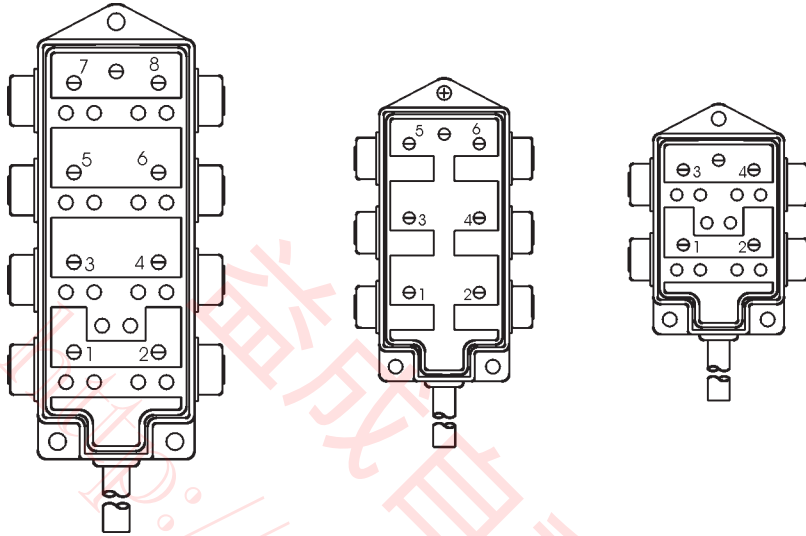
## Order Information

Part Number	Poles	Color Code	Cable Type	
			Lead(mm <sup>2</sup> )	Outer Jacket
ALTR4-5/5EC-36XX	5 	1 = brown (+) 3 = blue (-) 2 = grey/pink (1) red/blue (2) white/green (3) brown/green (4)	3x1.0(128x $\Phi$ 0.10) 8x0.5(64x $\Phi$ 0.10)	$\Phi$ 9.3 PUR
ALTR4-5/5EC-13XX		4 = white (1) green (2) yellow (3) grey (4) 5 = green/yellow (GND)	3x1.0(128x $\Phi$ 0.10) 8x0.5(64x $\Phi$ 0.10)	$\Phi$ 9.3 PVC
DLTR6-5/5EC-34XX	5 	1 = brown (+) 3 = blue (-) 2 = grey/pink (1) red/blue (2) white/green (3) brown/green (4) white/yellow (5) yellow/brown (6)	3x1.0(128x $\Phi$ 0.10) 12x0.5(64x $\Phi$ 0.10)	$\Phi$ 10.4 PUR
DLTR8-5/5EC-38XX	5 	1 = brown (+) 3 = blue (-) 2 = grey/pink (1) red/blue (2) white/green (3) brown/green (4) white/yellow (5) yellow/brown (6) white/grey (7) grey/brown (8)	3x1.0(128x $\Phi$ 0.10) 16x0.5(64x $\Phi$ 0.10)	$\Phi$ 11.6 PUR
		4 = white (1) green (2) yellow (3) grey (4) pink (5) red (6) black (7) violet (8) 5 = green/yellow (GND)		

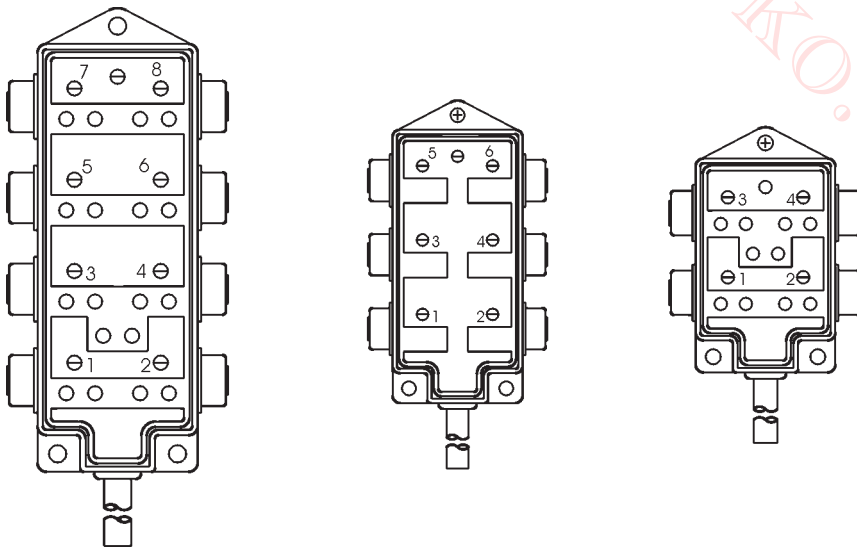
xx - Standard length :5.0m(05) and 10.0m(10). Other cable length or cable specifications on request



# DISTRIBUTION BOXES **DBRS SERIES** INDEX



Page H18

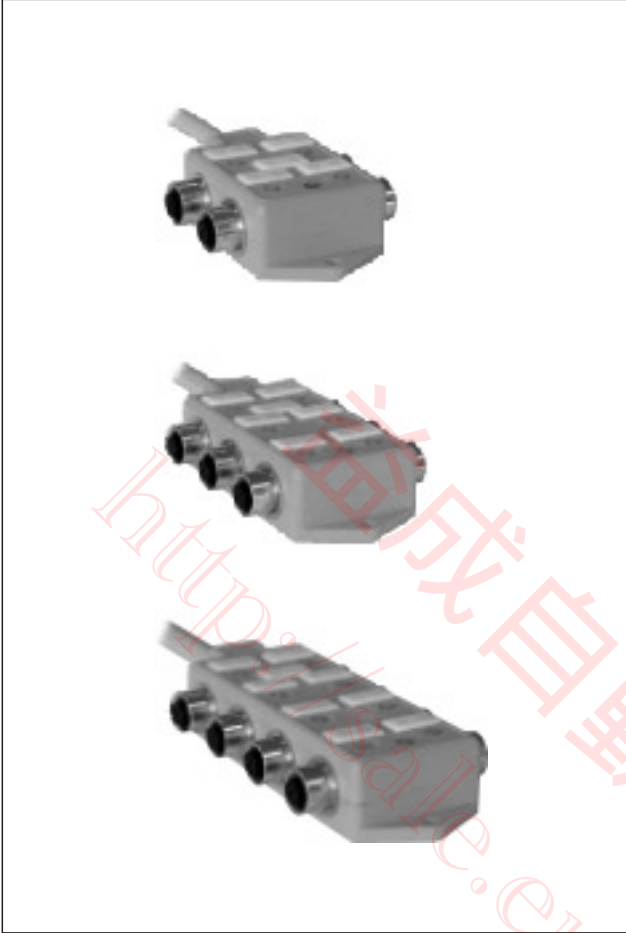


Page H20

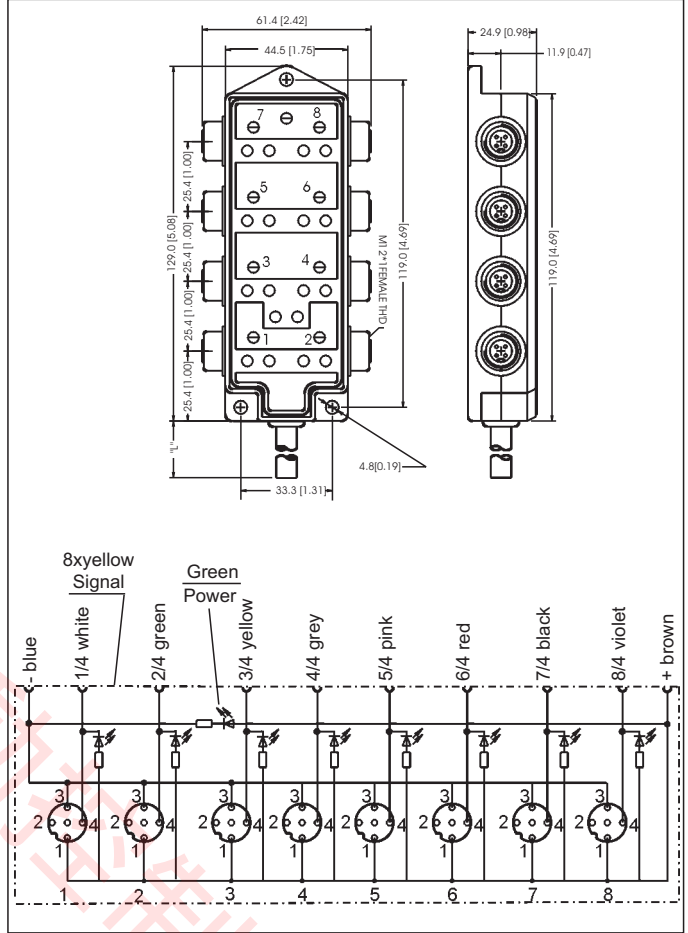


# DISTRIBUTION BOXES(DBRS-SERIES)

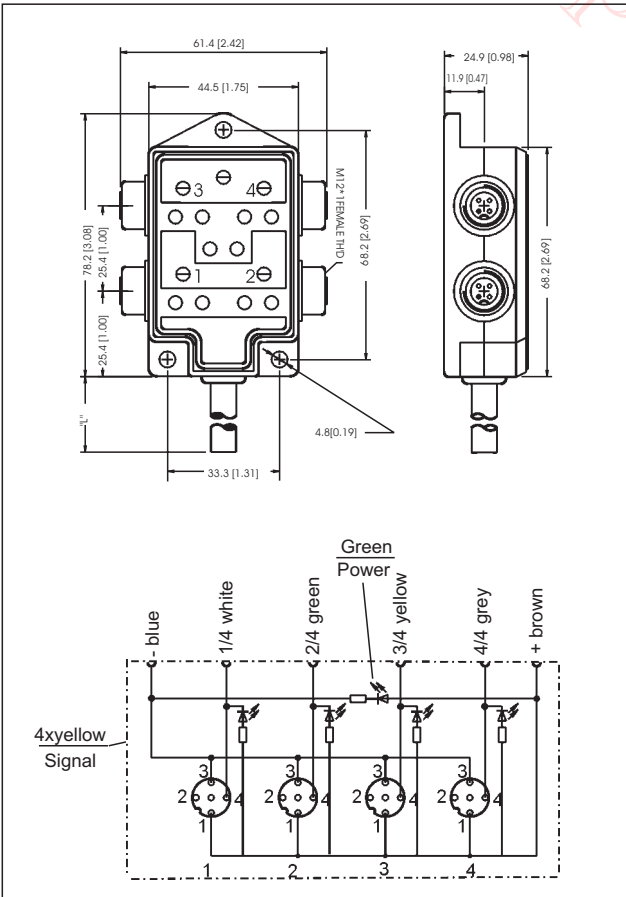
## View



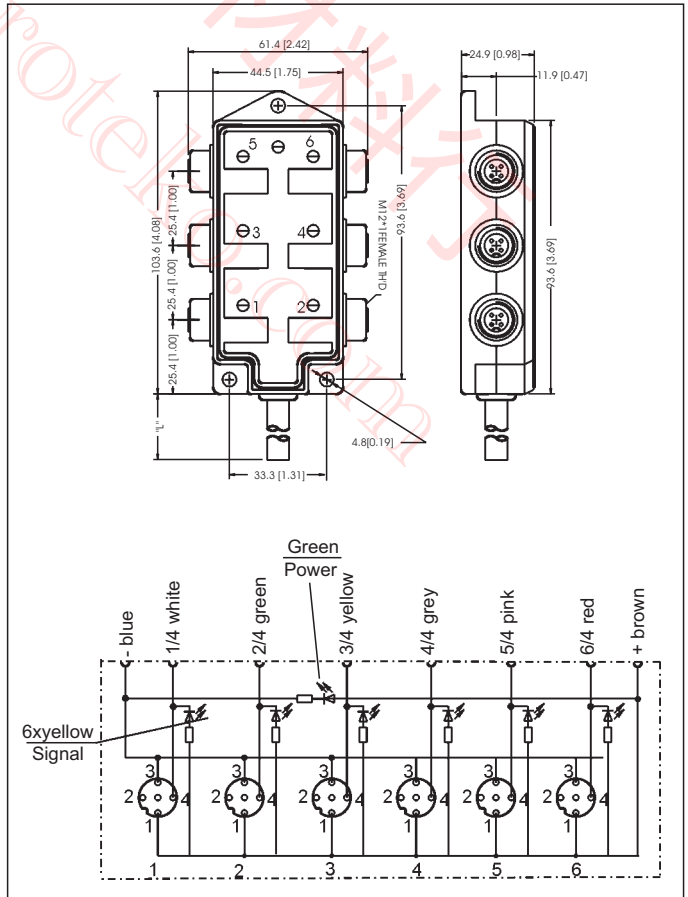
## Dimensional data



## Dimensional data



## Dimensional data



# DISTRIBUTION BOXES (DBRS-SERIES)

## Description

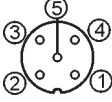
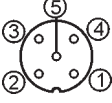
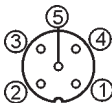
Distribution Boxes,4-6-8 port-Cable Side Version

5 poles 3 wires,with built-in LED,with two dust covers and ten attachable molds

## Technical Data

<b>1. Application Class:</b>	-25 °C to +90 °C	<b>4. Mechanical Data:</b>	
<b>2. Materials:</b>		Insertion Force (contact)	≤ 2.0N (0.45LBS)
Housing:	Nylon 6/6	Withdrawal Force (contact):	≥ 0.5N (0.11LBS)
Contact:	Brass,gold over nickel plating	Protection:	IP68,NEMA 6P(only in fully locked position)
Receptacle Shell:	Brass.black nickel plated	Shock:	IEC-68-2-27
Insert:	PUR(Polyurethane),black	Vibration:	IEC-68-2-6
O-Ring:	Nitrile Rubber		
<b>3. Electrical Data:</b>		<b>5. CE Conformity with Standards:</b>	
Contact Resistance:	≤ 5mΩ	EN50082-1, EN50082-2 and IEC60947-5-2	
Current Rating:	4 Amps per outlet 12 Amp max per box		
Working Voltage:	10-30VDC		
Insulation Resistance:	>10 <sup>9</sup> Ω		
Current Limiting Resistor:	3.3KΩ		

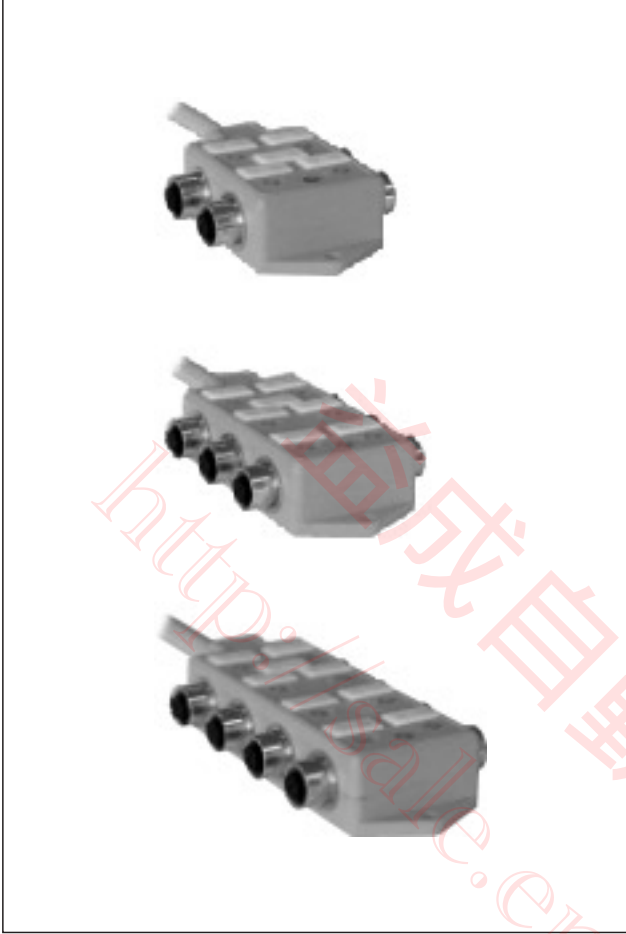
## Order Information

Part Number	Poles	Color Code	Cable Type	
			Lead(mm <sup>2</sup> )	Outer Jacket
ASSR4-5/3PA-64XX	5 	1 = brown (+) 3 = blue (-) 4 = white (1) green (2) yellow (3) grey (4)	3x0.75(96x Φ 0.10) 4x0.34(42x Φ 0.10)	PVC Φ 8.4 PVC (irradiated) PUR/PVC
ASSR4-5/3PA-65XX				
ASSR4-5/3PA-66XX				
ASSR6-5/3PA-67XX	5 	1 = brown (+) 3 = blue (-) 4 = white (1) green (2) yellow (3) grey (4) pink (5) red (6)	3x0.75(96x Φ 0.10) 6x0.34(42x Φ 0.10)	PVC Φ 9.0 PVC (irradiated) PUR/PVC
ASSR6-5/3PA-68XX				
ASSR6-5/3PA-69XX				
ASSR8-5/3PA-57XX	5 	1 = brown (+) 3 = blue (-) 4 = white (1) green (2) yellow (3) grey (4) pink (5) red (6) black (7) violet (8)	3x0.75(96x Φ 0.10) 8x0.34(42x Φ 0.10)	PVC Φ 9.0 PVC (irradiated) PUR/PVC
ASSR8-5/3PA-58XX				
ASSR8-5/3PA-59XX				

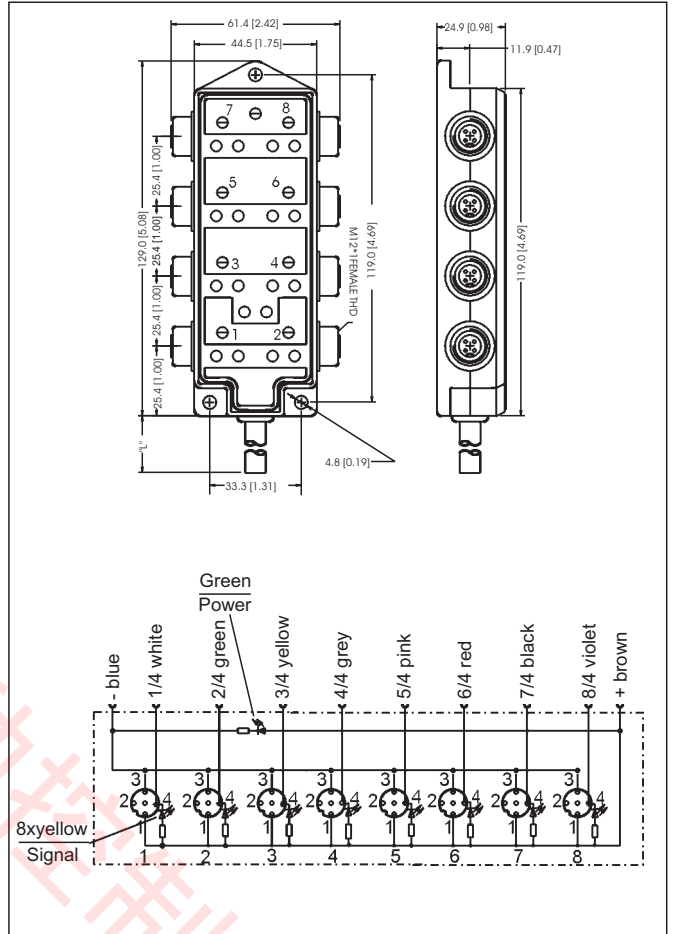
xx - Standard length :5.0m(05) and 10.0m(10). Other cable length or cable specifications on request

# DISTRIBUTION BOXES(DBRS-SERIES)

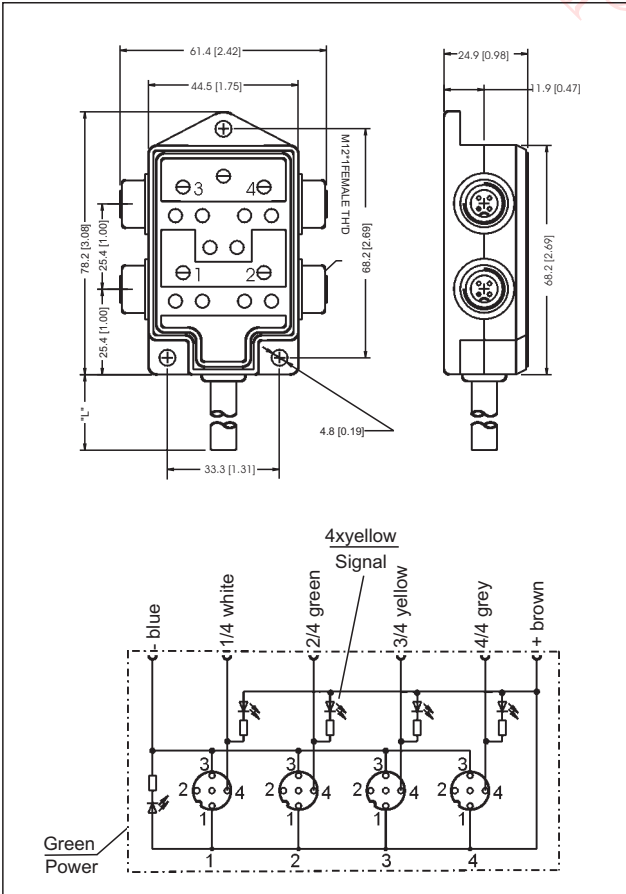
## View



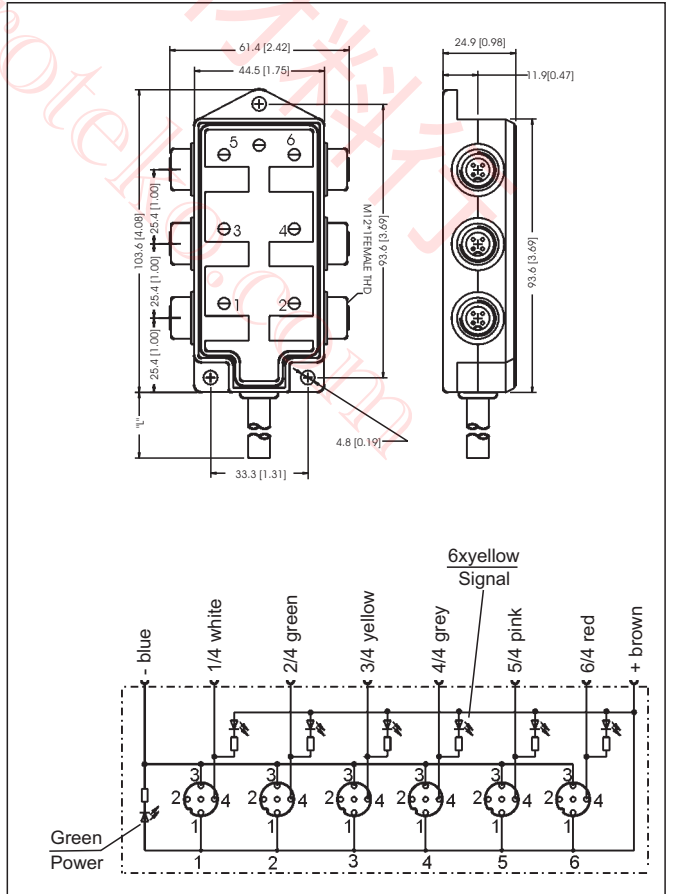
## Dimensional data



## Dimensional data



## Dimensional data



# DISTRIBUTION BOXES (DBRS-SERIES)

## Description

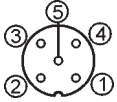
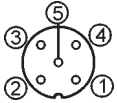

Distribution Boxes,4-6-8 port-Cable Side Version

5 poles 3 wires,with built-in LED,with two dust covers and ten attachable molds

## Technical Data

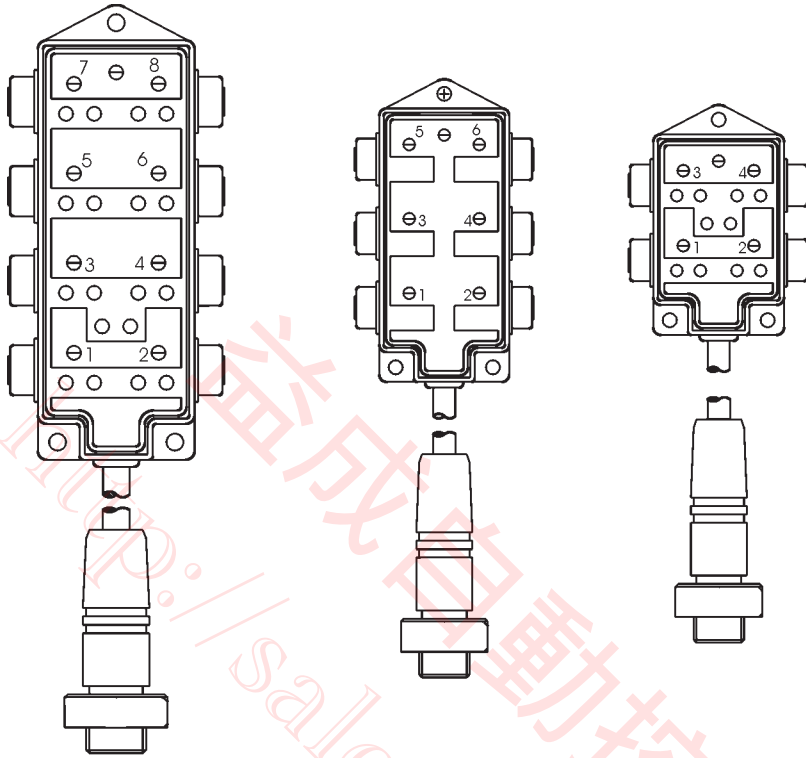
<b>1. Application Class:</b>	-25°C to +90°C	<b>4. Mechanical Data:</b>	
<b>2. Materials:</b>		Insertion Force	
Housing:	Nylon 6/6	(contact)	≤ 2.0N(0.45LBS)
Contact:	Brass,gold over nickel plating	Withdrawal Force	
Receptacle Shell:	Brass.black nickel plated	(contact):	≥ 0.5N (0.11LBS)
Insert:	PUR(Polyurethane),black	Protection:	IP68,NEMA 6P(only in fully locked position)
O-Ring:	Nitrile Rubber	Shock:	IEC-68-2-27
<b>3. Electrical Data:</b>		Vibration:	IEC-68-2-6
Contact Resistance:	≤ 5mΩ	<b>5. CE Conformity with Standards:</b>	
Current Rating:	4 Amps per outlet 12 Amp max per box		EN50082-1, EN50082-2 and IEC60947-5-2
Working Voltage:	10-30VDC		
Insulation Resistance:	>10 <sup>9</sup> Ω		
Current Limiting Resistor:	3.3KΩ		

## Order Information

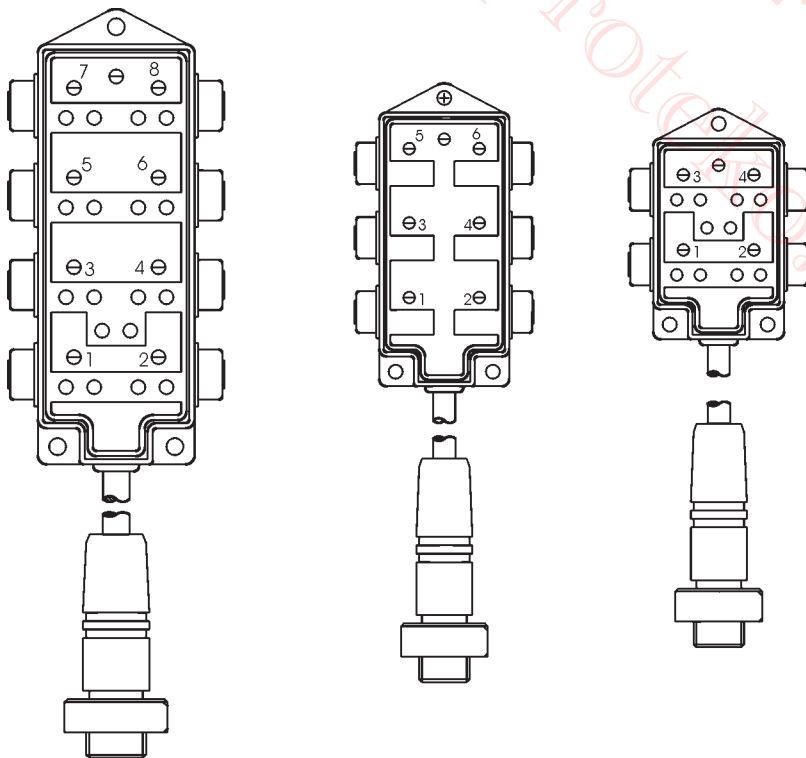
Part Number	Poles	Color Code	Cable Type	
			Lead(mm <sup>2</sup> )	Outer Jacket
ASSR4-5/3NA-64XX	5 	1 = brown (+)	3x0.75(96x φ 0.10) 4x0.34(42x φ 0.10)	PVC
ASSR4-5/3NA-65XX		3 = blue (-)		PVC (irradiated)
ASSR4-5/3NA-66XX		4 = white (1)		PUR/PVC
ASSR6-5/3NA-67XX	5 	green (2)	3x0.75(96x φ 0.10) 6x0.34(42x φ 0.10)	PVC
ASSR6-5/3NA-68XX		yellow (3)		PVC (irradiated)
ASSR6-5/3NA-69XX		grey (4)		PUR/PVC
ASSR8-5/3NA-57XX	5 	pink (5)	3x0.75(96x φ 0.10) 8x0.34(42x φ 0.10)	PVC
ASSR8-5/3NA-58XX		red (6)		PVC (irradiated)
ASSR8-5/3NA-59XX		black (7) violet (8)		PUR/PVC

xx - Standard length :5.0m(05) and 10.0m(10). Other cable length or cable specifications on request

# DISTRIBUTION BOXES **DBRSP SERIES** INDEX



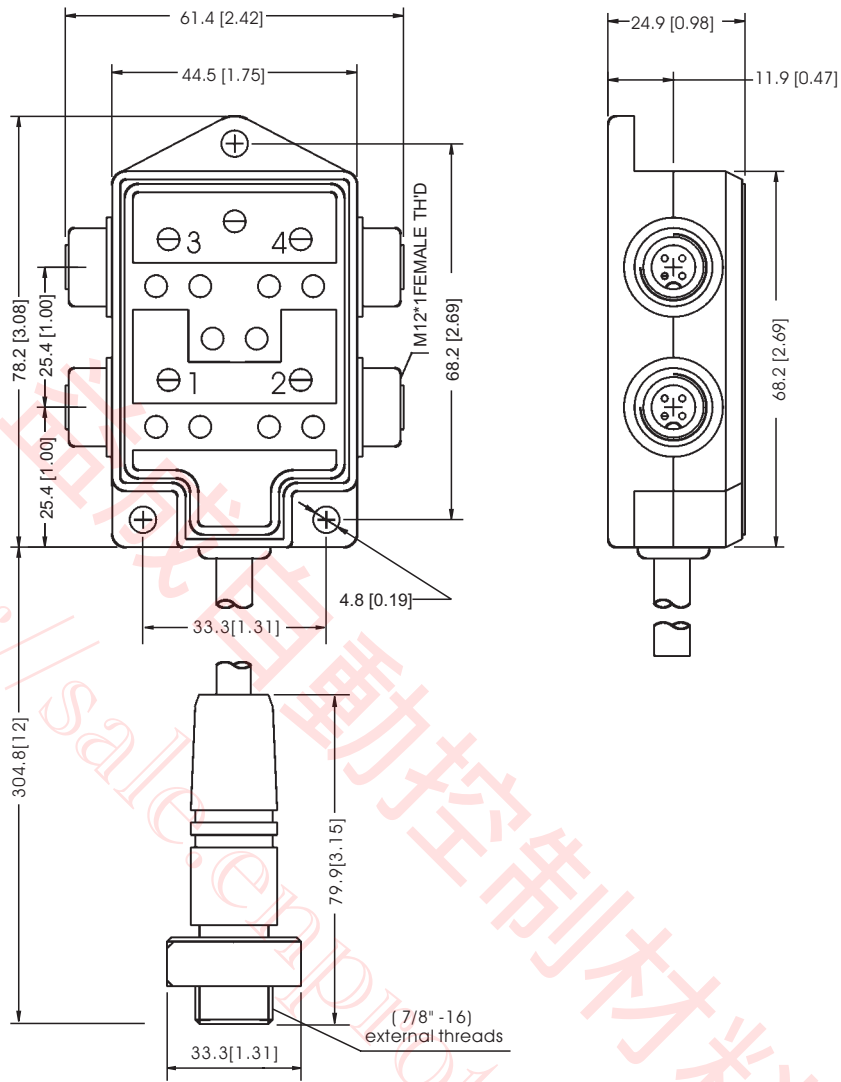
Page H24  
Page H26  
Page H28



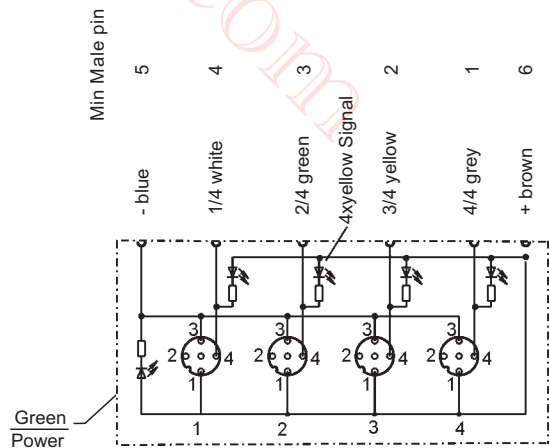
Page H30  
Page H32  
Page H34

# DISTRIBUTION BOXES(DBRSP-SERIES)

## Dimensional data



## View



# DISTRIBUTION BOXES (DBRSP-SERIES)

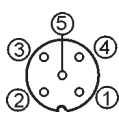
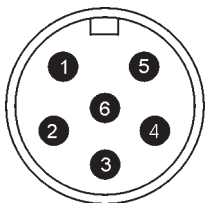
## Description

Distribution Boxes, 4 ports, Pigtail  
5 poles 3 wires, with built-in LED, with two dust covers and ten attachable molds

## Technical Data

<b>1. Application Class:</b>	-25°C to +90°C	<b>Working Voltage:</b>	10-30VDC
<b>2. Materials:</b>		<b>Insulation Resistance:</b>	>10 <sup>9</sup> Ω
Housing :	Nylon 6/6	<b>4. Mechanical Data:</b>	
Contact:	Brass, gold over nickel plating	Insertion Force	
Coupling Nut:	Aluminum, Black anodized	(contact)	≤ 2.0N (0.45LBS)
Receptacle Shell:	Brass, nickel plated	Withdrawal Force	
Insert:	PUR(Polyurethane), black	(contact):	≥ 0.5N (0.11LBS)
O-Ring:	Viton	Protection:	IP68, NEMA 6P (only in fully locked position)
Molded Body:	PUR, Yellow	Shock:	IEC-68-2-27
Male Insert:	PUR, Yellow	Vibration:	IEC-68-2-6
<b>3. Electrical Data:</b>		<b>5. CE Conformity with Standards:</b>	
Contact Resistance:	≤ 5mΩ	EN50082-1, EN50082-2 and IEC60947-5-2	
Current Rating:	4 Amps per outlet 12 Amp max per box		

## Order Information

Part Number	Face View Outlets	Face View of Male Plug		Wiring Diagram	
		Poles	Thread	Mini Male Pin	Outlet Pin
ASSR4-5/3NA-PZ6			7/8"-16	1=	4/4
				2=	3/4
				3=	2/4
				4=	1/4
				5=	1~4/3(-)
				6=	1~4/1(+)
	Pigtail length		Number of cable		
4 ports	305mm		30		

Reference pages J-1~J-17 for additional cable specification





# DISTRIBUTION BOXES (DBRSP-SERIES)

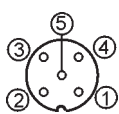

## Description

Distribution Boxes, 6 ports, Pigtail  
5 poles 3 wires, with built-in LED, with two dust covers and ten attachable molds

## Technical Data

1. Application Class:	-25°C to +90°C	Working Voltage:	10-30VDC
2. Materials:		Insulation Resistance:	>10 <sup>9</sup> Ω
Housing :	Nylon 6/6	4. Mechanical Data:	
Contact:	Brass, gold over nickel plating	Insertion Force	
Coupling Nut:	Aluminum, Black anodized	(contact)	≤ 2.0N (0.45LBS)
Receptacle Shell:	Brass, nickel plated	Withdrawal Force	
Insert:	PUR(Polyurethane), black	(contact):	≥ 0.5N (0.11LBS)
O-Ring:	Viton	Protection:	IP68, NEMA 6P (only in fully locked position)
Molded Body:	PUR, Yellow	Shock:	IEC-68-2-27
Male Insert:	PUR, Yellow	Vibration:	IEC-68-2-6
3. Electrical Data:		5. CE Conformity with Standards:	
Contact Resistance:	≤ 5mΩ	EN50082-1, EN50082-2 and IEC60947-5-2	
Current Rating:	4 Amps per outlet 12 Amp max per box		

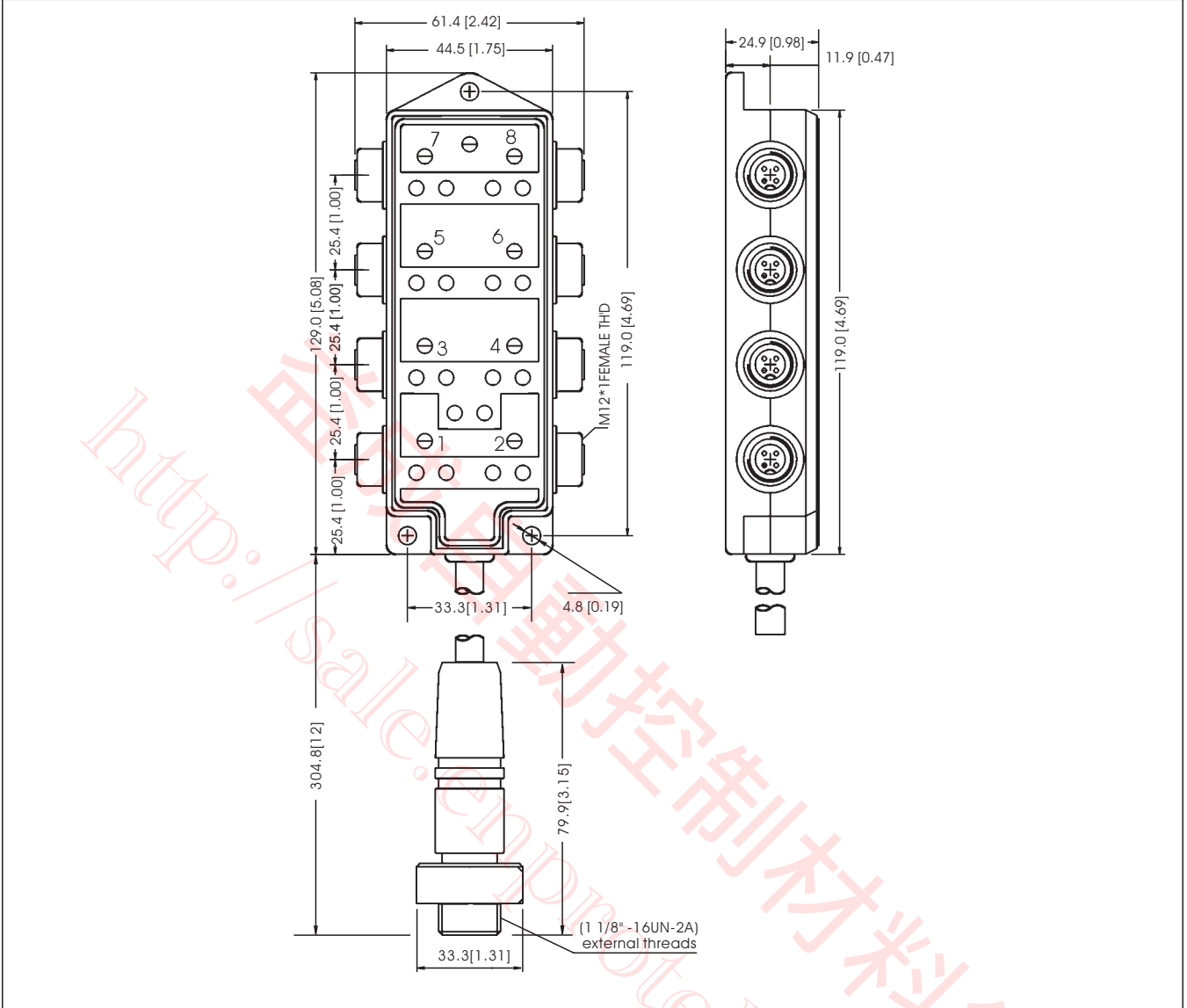
## Order Information

Part Number	Face View Outlets	Face View of Male Plug		Wiring Diagram	
		Poles	Thread	Mini Male Pin	Outlet Pin
ASSR6-5/3NA-PZ8			1"-16	1=	6/4
				2=	5/4
				3=	4/4
				4=	3/4
				5=	2/4
				6=	1/4
				7=	1~6/3(-)
				8=	1~6/1(+)
	Pigtail length		Number of cable		
6 ports	305mm		33		

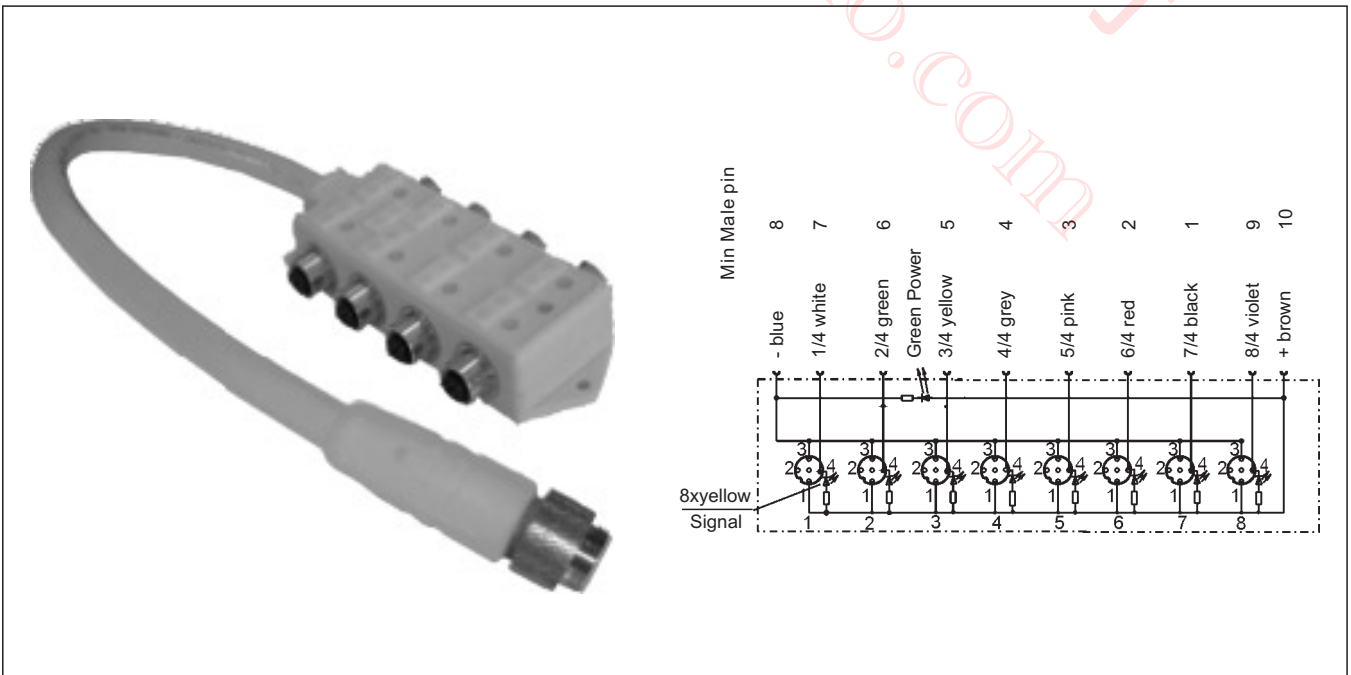
Reference pages J-1~J-17 for additional cable specification

# DISTRIBUTION BOXES(DBRSP-SERIES)

## Dimensional data



## View



# DISTRIBUTION BOXES (DBRSP-SERIES)

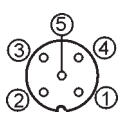

## Description

Distribution Boxes, 8 ports, Pigtail  
5 poles 3 wires, with built-in LED, with two dust covers and ten attachable molds

## Technical Data

1. Application Class:	-25°C to +90°C	Working Voltage:	10-30VDC
2. Materials:		Insulation Resistance:	>10 <sup>9</sup> Ω
Housing :	Nylon 6/6	4. Mechanical Data:	
Contact:	Brass, gold over nickel plating	Insertion Force	
Coupling Nut:	Aluminum, Black anodized	(contact)	≤ 2.0N (0.45LBS)
Receptacle Shell:	Brass, nickel plated	Withdrawal Force	
Insert:	PUR (Polyurethane), black	(contact):	≥ 0.5N (0.11LBS)
O-Ring:	Viton	Protection:	IP68, NEMA 6P (only in fully locked position)
Molded Body:	PUR, Yellow	Shock:	IEC-68-2-27
Male Insert:	PUR, Yellow	Vibration:	IEC-68-2-6
3. Electrical Data:		5. CE Conformity with Standards:	
Contact Resistance:	≤ 5m Ω	EN50082-1, EN50082-2 and IEC60947-5-2	
Current Rating:	4 Amps per outlet 12 Amp max per box		

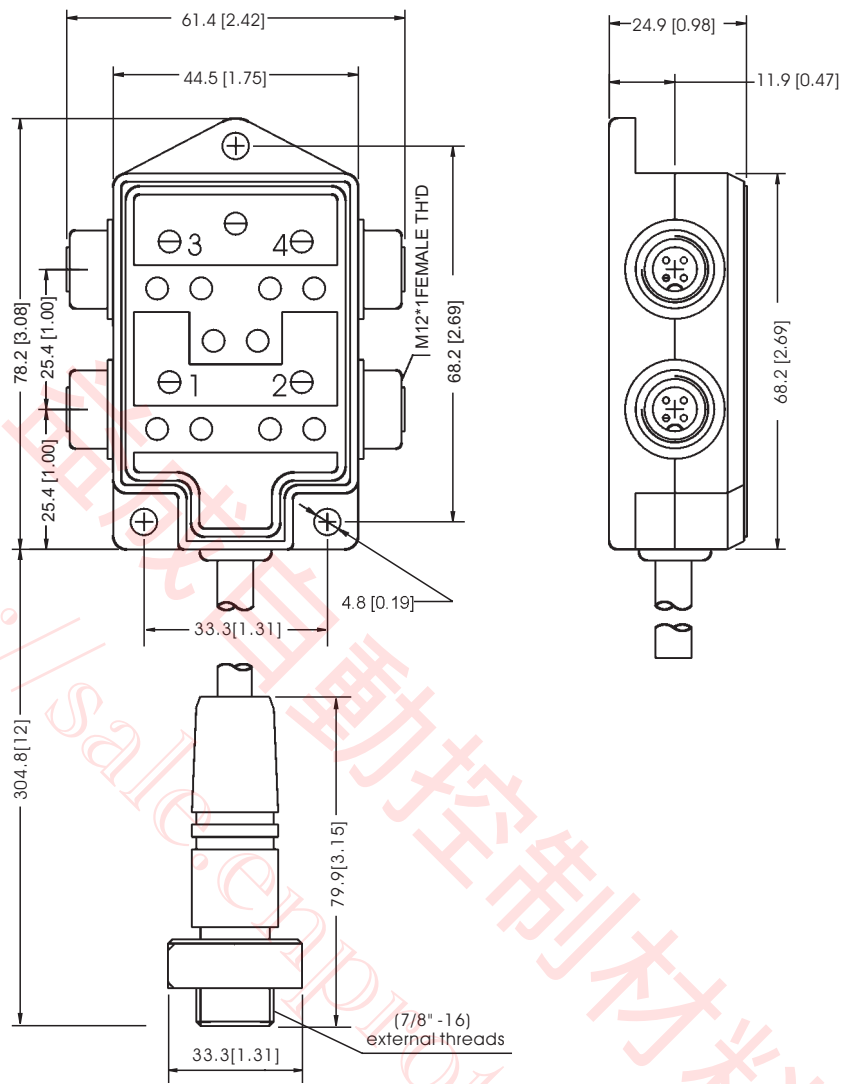
## Order Information

Part Number	Face View Outlets	Face View of Male Plug		Wiring Diagram	
		Poles	Thread	Mini Male Pin	Outlet Pin
ASSR8-5/3NA-PZ10			1 1/8"-16	1=	7/4
				2=	6/4
				3=	5/4
				4=	4/4
				5=	3/4
				6=	2/4
				7=	1/4
				8=	1~8/3(-)
				9=	8/4
				10=	1~8/1(+)
	Pigtail length		Number of cable		
8 ports	305mm		32		

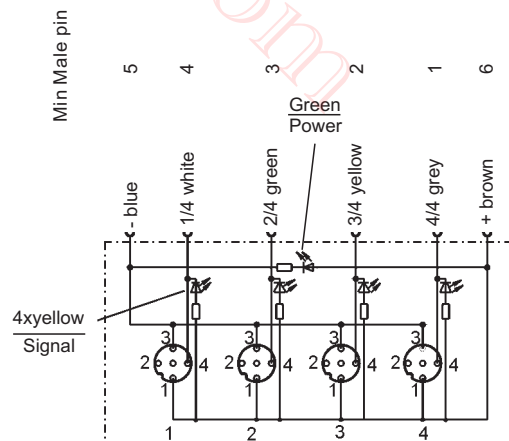
Reference pages J-1~J-17 for additional cable specification

# DISTRIBUTION BOXES(DBRSP-SERIES)

## Dimensional data



## View



# DISTRIBUTION BOXES (DBRSP-SERIES)

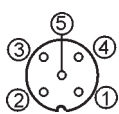

## Description

Distribution Boxes, 4 ports, Pigtail  
5 poles 3 wires, with built-in LED, with two dust covers and ten attachable molds

## Technical Data

1. Application Class:	-25°C to +90°C	Working Voltage:	10-30VDC
2. Materials:		Insulation Resistance:	>10 <sup>9</sup> Ω
Housing :	Nylon 6/6	4. Mechanical Data:	
Contact:	Brass, gold over nickel plating	Insertion Force (contact)	≤ 2.0N (0.45LBS)
Coupling Nut:	Aluminum, Black anodized	Withdrawal Force (contact):	≥ 0.5N (0.11LBS)
Receptacle Shell:	Brass, nickel plated	Protection:	IP68, NEMA 6P (only in fully locked position)
Insert:	PUR (Polyurethane), black	Shock:	IEC-68-2-27
O-Ring:	Viton	Vibration:	IEC-68-2-6
Molded Body:	PUR, Yellow	5. CE Conformity with Standards:	
Male Insert:	PUR, Yellow	EN50082-1, EN50082-2 and IEC60947-5-2	
3. Electrical Data:			
Contact Resistance:	≤ 5m Ω		
Current Rating:	4 Amps per outlet 12 Amp max per box		

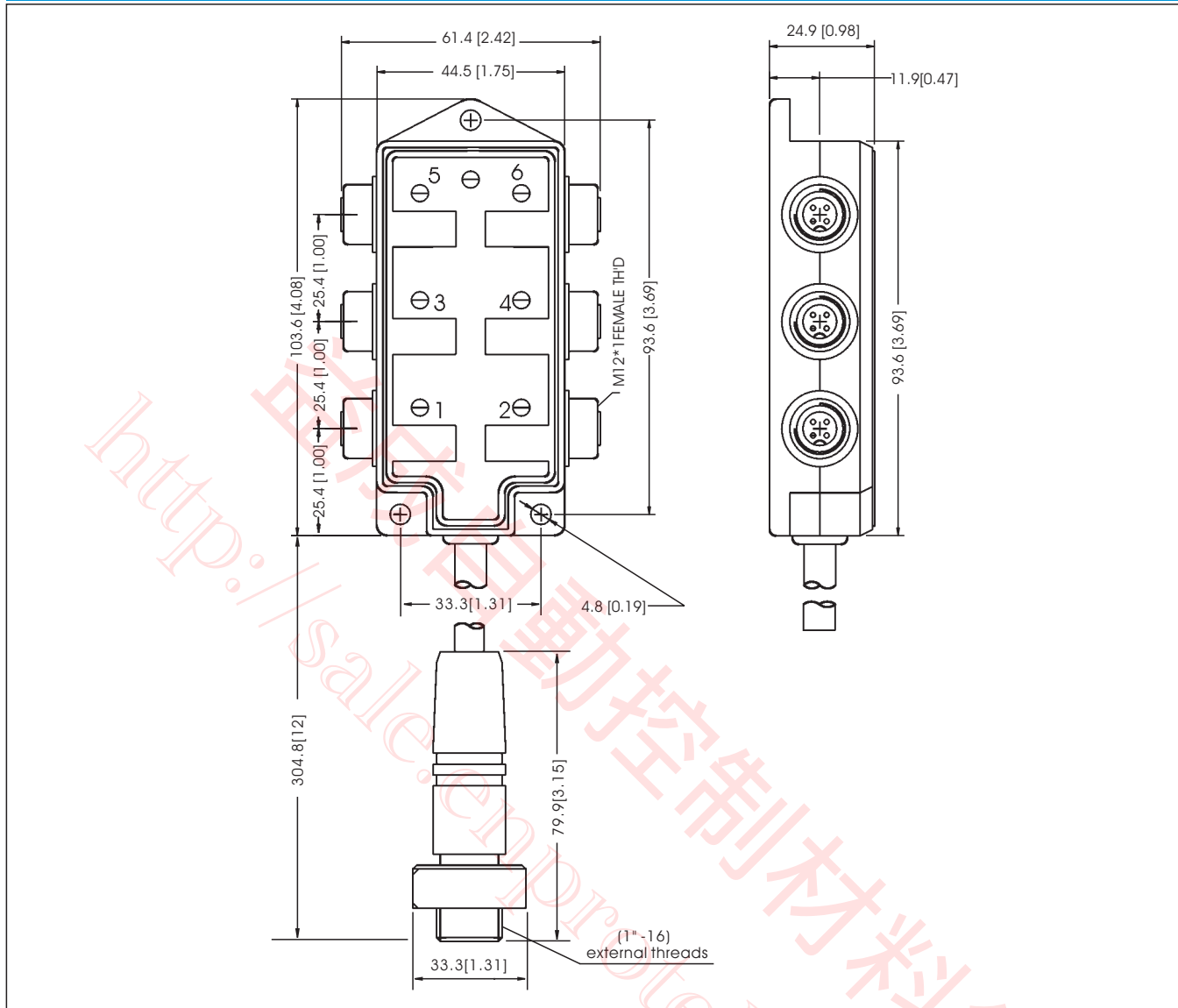
## Order Information

Part Number	Face View Outlets	Face View of Male Plug		Wiring Diagram	
		Poles	Thread	Mini Male Pin	Outlet Pin
ASSR4-5/3PA-PZ6			7/8"-16	1=	4/4
				2=	3/4
				3=	2/4
				4=	1/4
				5=	1~4/3(-)
				6=	1~4/1(+)
	Pigtail length		Number of cable		
4 ports	305mm		30		

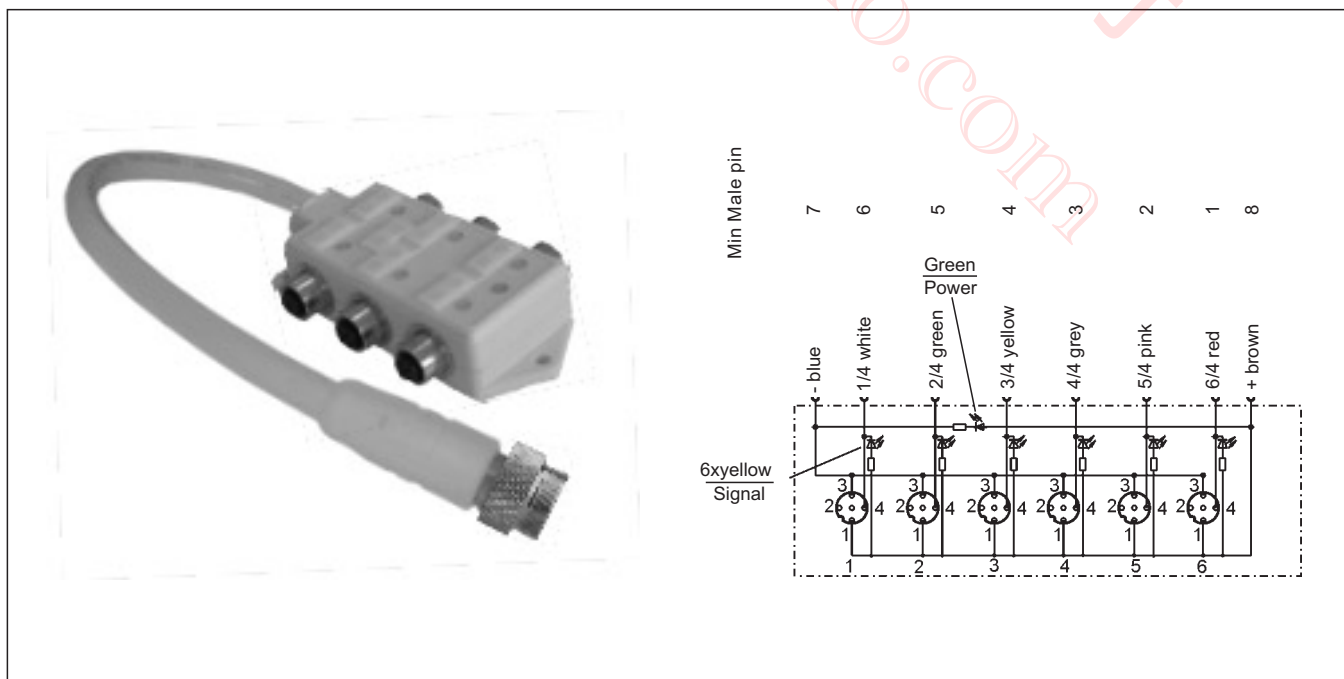
Reference pages J-1~J-17 for additional cable specification

# DISTRIBUTION BOXES(DBRSP-SERIES)

## Dimensional data



## View



# DISTRIBUTION BOXES (DBRSP-SERIES)

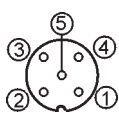

## Description

Distribution Boxes, 6 ports, Pigtail  
5 poles 3 wires, with built-in LED, with two dust covers and ten attachable molds

## Technical Data

1. Application Class:	-25°C to +90°C	Working Voltage:	10-30VDC
2. Materials:		Insulation Resistance:	>10 <sup>9</sup> Ω
Housing :	Nylon 6/6	4. Mechanical Data:	
Contact:	Brass, gold over nickel plating	Insertion Force (contact)	≤ 2.0N (0.45LBS)
Coupling Nut:	Aluminum, Black anodized	Withdrawal Force (contact):	≥ 0.5N (0.11LBS)
Receptacle Shell:	Brass, nickel plated	Protection:	IP68, NEMA 6P (only in fully locked position)
Insert:	PUR (Polyurethane), black	Shock:	IEC-68-2-27
O-Ring:	Viton	Vibration:	IEC-68-2-6
Molded Body:	PUR, Yellow	5. CE Conformity with Standards:	
Male Insert:	PUR, Yellow	EN50082-1, EN50082-2 and IEC60947-5-2	
3. Electrical Data:			
Contact Resistance:	≤ 5m Ω		
Current Rating:	4 Amps per outlet 12 Amp max per box		

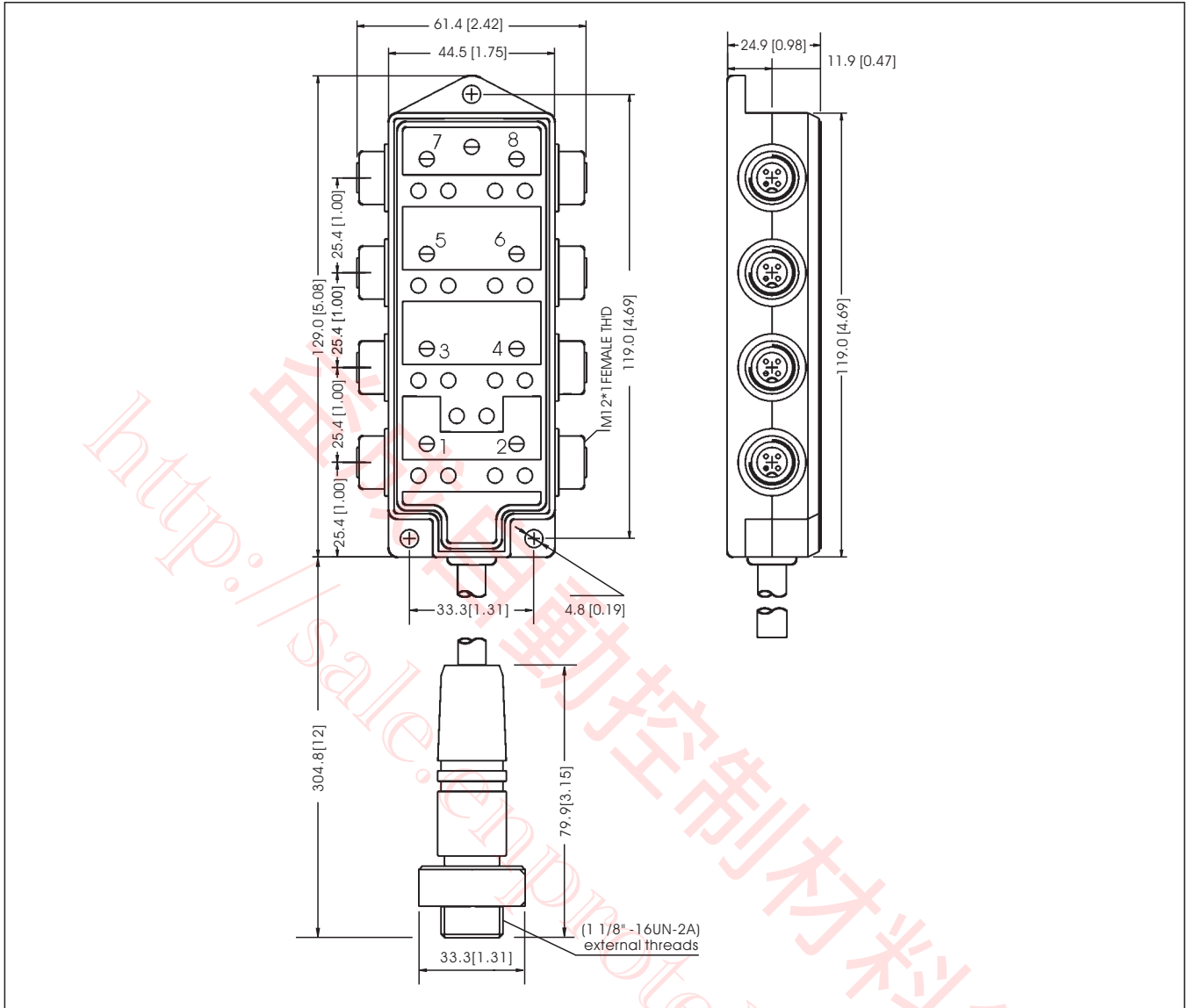
## Order Information

Part Number	Face View Outlets	Face View of Male Plug		Wiring Diagram	
		Poles	Thread	Mini Male Pin	Outlet Pin
ASSR6-5/3PA-PZ8			1"-16	1=	6/4
				2=	5/4
				3=	4/4
				4=	3/4
				5=	2/4
				6=	1/4
				7=	1~6/3(-)
				8=	1~6/1(+)
	Pigtail length		Number of cable		
6 ports	305mm		33		

Reference pages J-1~J-17 for additional cable specification

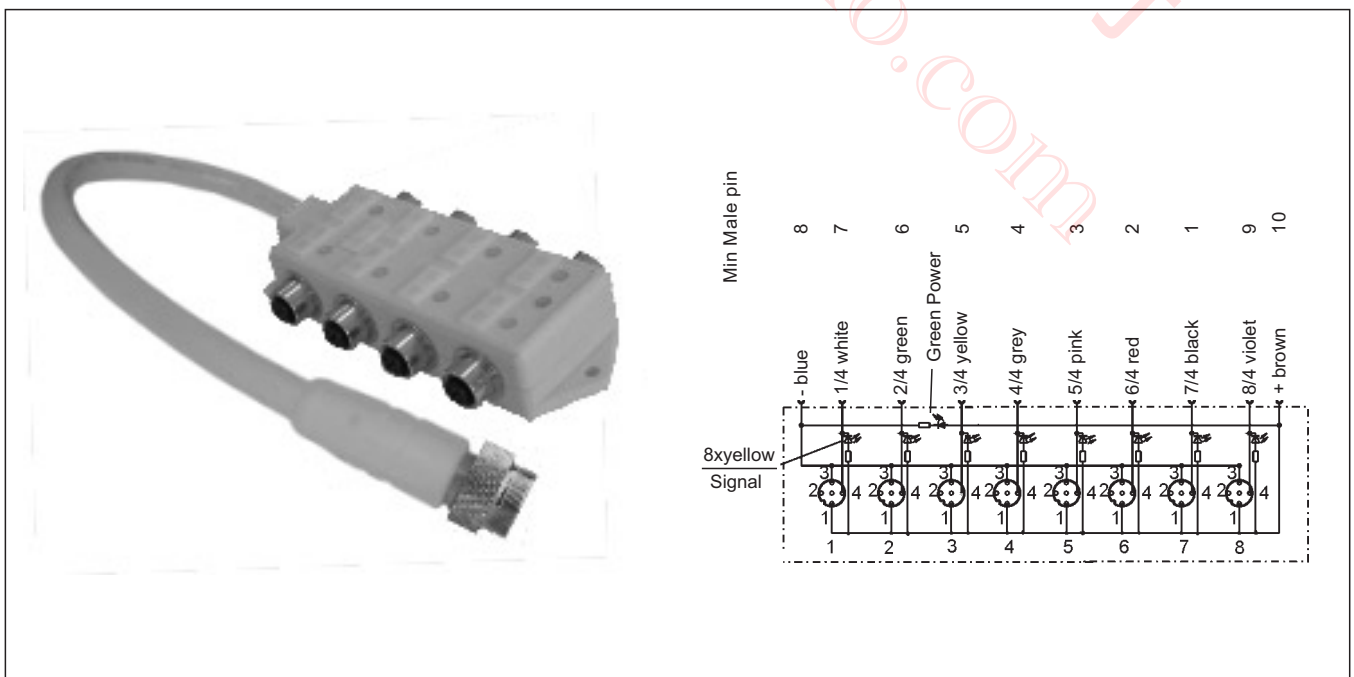
# DISTRIBUTION BOXES(DBRSP-SERIES)

## Dimensional data



## View

## Dimensional data





# DISTRIBUTION BOXES (DBRSP-SERIES)


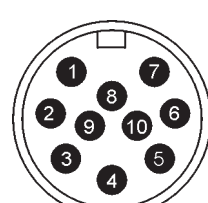
## Description

Distribution Boxes, 8 ports, Pigtail  
5 poles 3 wires, with built-in LED, with two dust covers and ten attachable molds

## Technical Data

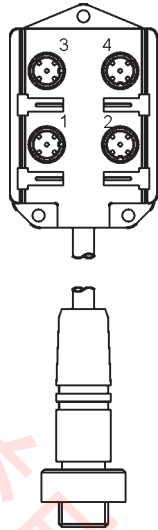
1. Application Class:	-25°C to +90°C	Working Voltage:	10-30VDC
2. Materials:		Insulation Resistance:	>10 <sup>9</sup> Ω
Housing :	Nylon 6/6	4. Mechanical Data:	
Contact:	Brass, gold over nickel plating	Insertion Force	
Coupling Nut:	Aluminum, Black anodized	(contact)	≤ 2.0N (0.45LBS)
Receptacle Shell:	Brass, nickel plated	Withdrawal Force	
Insert:	PUR (Polyurethane), black	(contact):	≥ 0.5N (0.11LBS)
O-Ring:	Viton	Protection:	IP68, NEMA 6P (only in fully locked position)
Molded Body:	PUR, Yellow	Shock:	IEC-68-2-27
Male Insert:	PUR, Yellow	Vibration:	IEC-68-2-6
3. Electrical Data:		5. CE Conformity with Standards:	
Contact Resistance:	≤ 5m Ω	EN50082-1, EN50082-2 and IEC60947-5-2	
Current Rating:	4 Amps per outlet 12 Amp max per box		

## Order Information

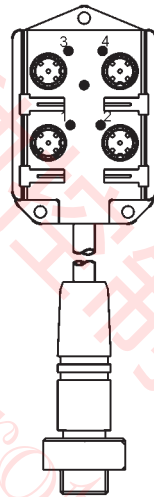
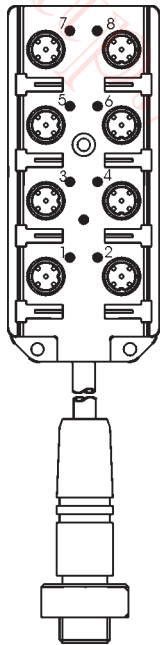
Part Number	Face View Outlets	Face View of Male Plug		Wiring Diagram	
		Poles	Thread	Mini Male Pin	Outlet Pin
ASSR8-5/3PA-PZ10			11/8"-16	1=	7/4
				2=	6/4
				3=	5/4
				4=	4/4
				5=	3/4
				6=	2/4
				7=	1/4
				8=	1~8/3(-)
				9=	8/4
				10=	1~8/1(+)
	Pigtail length		Number of cable		
8 ports	305mm		32		

Reference pages J-1~J-17 for additional cable specification

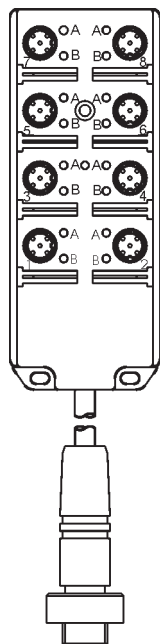
# DISTRIBUTION BOXES **DBRP SERIES** INDEX



Page H38



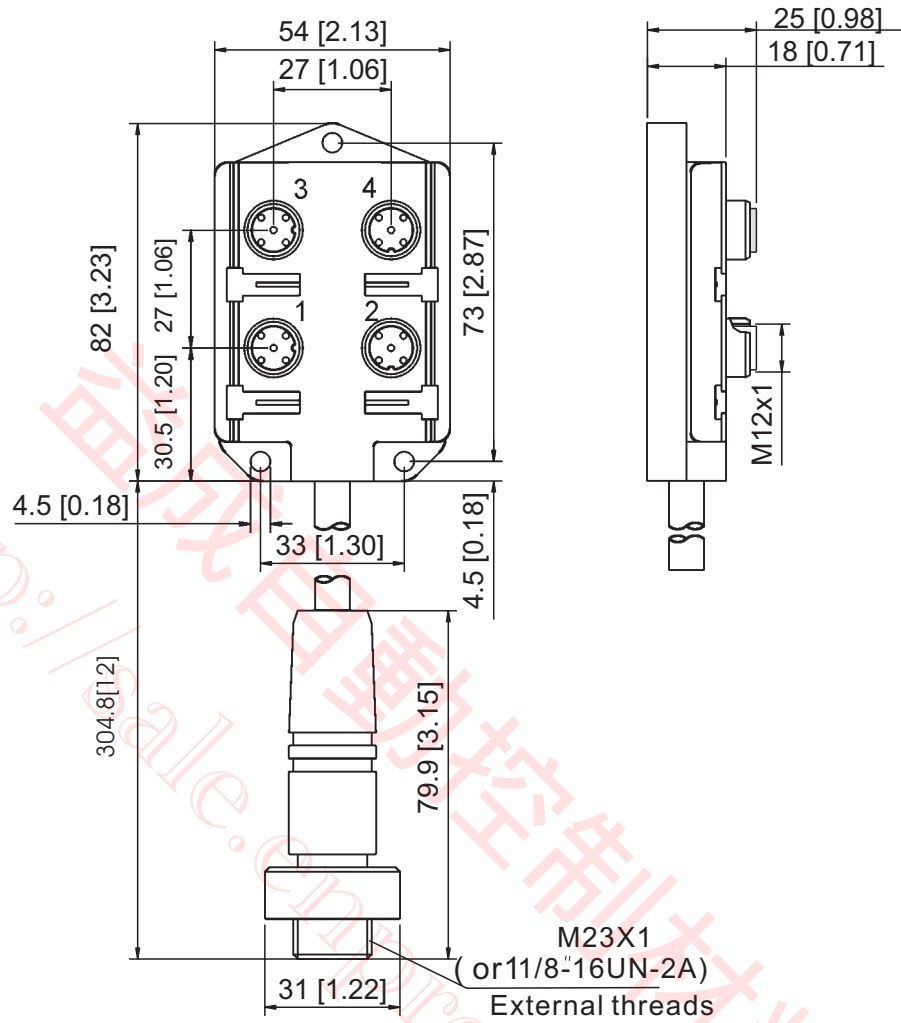
Page H40  
page H42



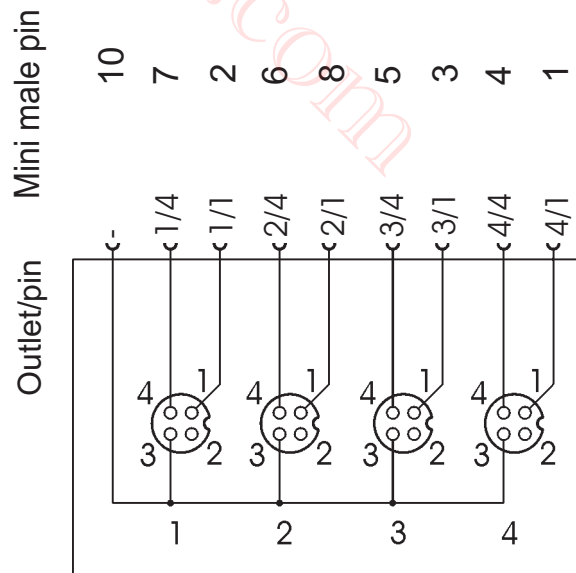
Page H44

# DISTRIBUTION BOXES(DBRP-SERIES)

## Dimensional data



## View



# DISTRIBUTION BOXES (DBRP-SERIES)


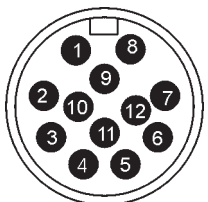
## Description

Distribution Boxes, 4 ports, Pigtail  
4 poles 3 wires, with two dust covers and ten attachable molds

## Technical Data

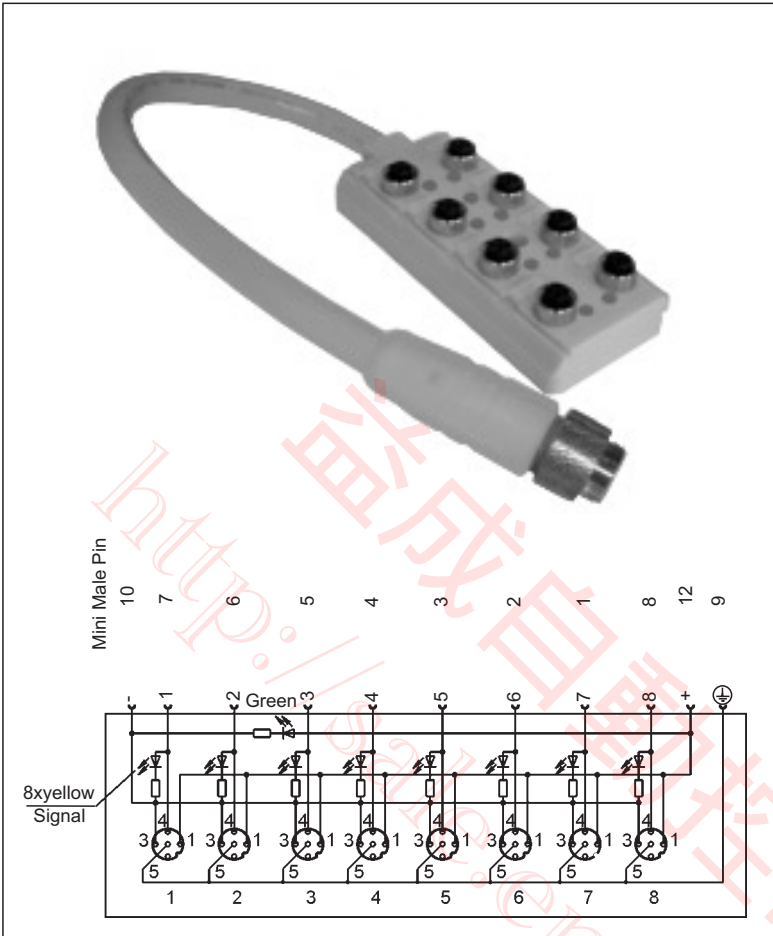
<b>1. Application Class:</b>	-15°C to +90°C	<b>Working Voltage:</b>	10-30VDC
<b>2. Materials:</b>		<b>Insulation Resistance:</b>	>10 <sup>9</sup> Ω
Housing :	Nylon 6/6	<b>4. Mechanical Data:</b>	
Contact:	Brass, gold over nickel plating	Insertion Force (contact)	≤ 2.0N (0.45LBS)
Coupling Nut:	Aluminum, Black anodized	Withdrawal Force (contact):	≥ 0.5N (0.11LBS)
Receptacle Shell:	Brass, nickel plated	Protection:	IP65 (only in fully locked position)
Insert:	PUR (Polyurethane), black	Shock:	IEC-68-2-27
O-Ring:	Viton	Vibration:	IEC-68-2-6
Molded Body:	PUR, Yellow	<b>5. CE Conformity with Standards:</b>	
Male Insert:	PUR, Yellow	EN50082-1, EN50082-2 and IEC60947-5-2	
<b>3. Electrical Data:</b>			
Contact Resistance:	≤ 5m Ω		
Current Rating:	4 Amps per outlet 12 Amp max per box		

## Order Information

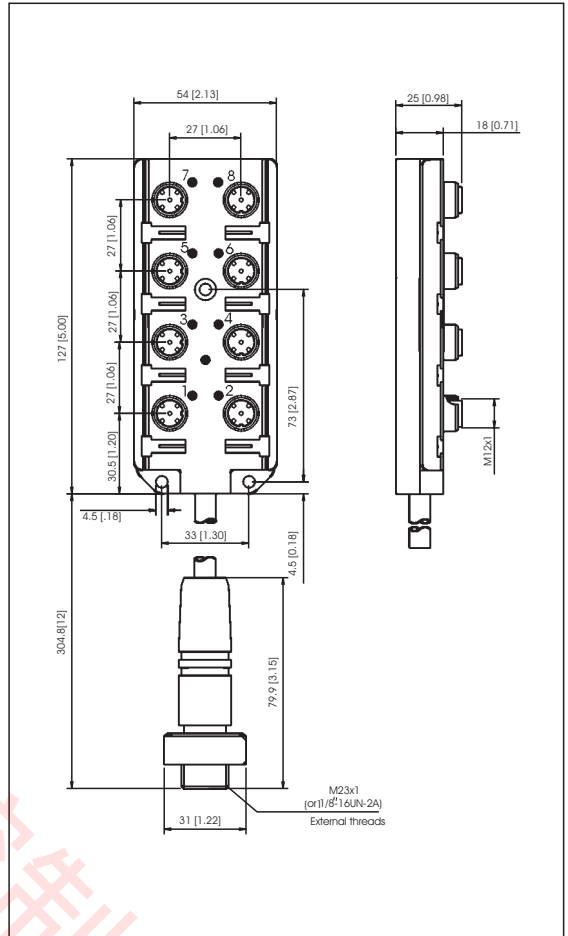
Part Number	Face View Outlets	Face View of Male Plug		Wiring Diagram	
		Poles	Thread	Mini Male Pin	Outlet Pin
ASTR4-4/3DZ-P12			M23X1	1=	4/1
ASTR4-4/3DZ-PZ12			11/8"-16	2=	1/1
				3=	3/1
				4=	4/4
				5=	3/4
				6=	2/4
				7=	1/4
				8=	2/1
				9=	Blank
				10=	(-)
				11=	Blank
				12=	Blank
Pigtail length			Number of cable		
305mm			40		
Reference pages J-1~J-17 for additional cable specification					

# DISTRIBUTION BOXES(DBRP-SERIES)

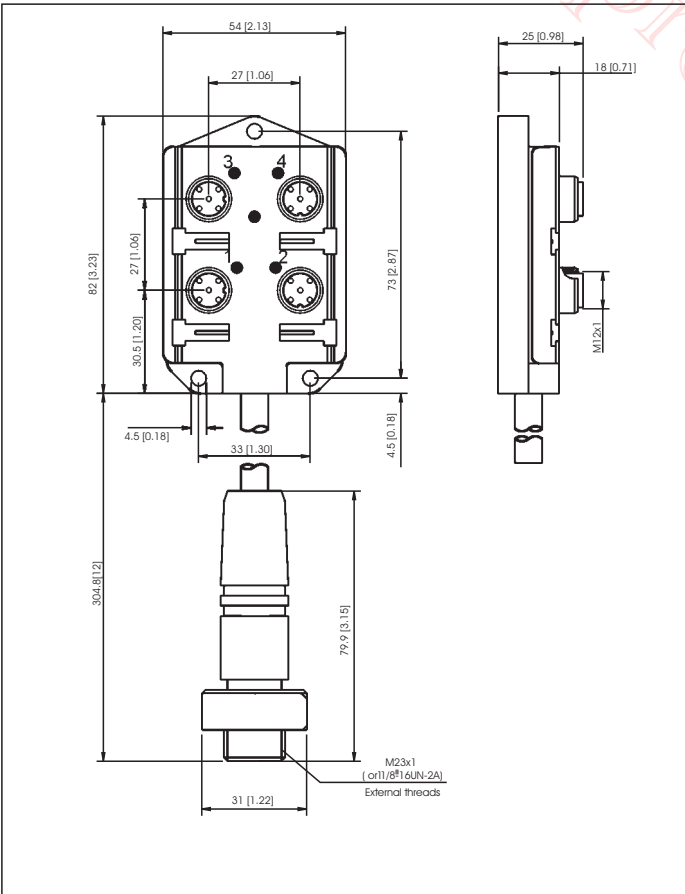
## View



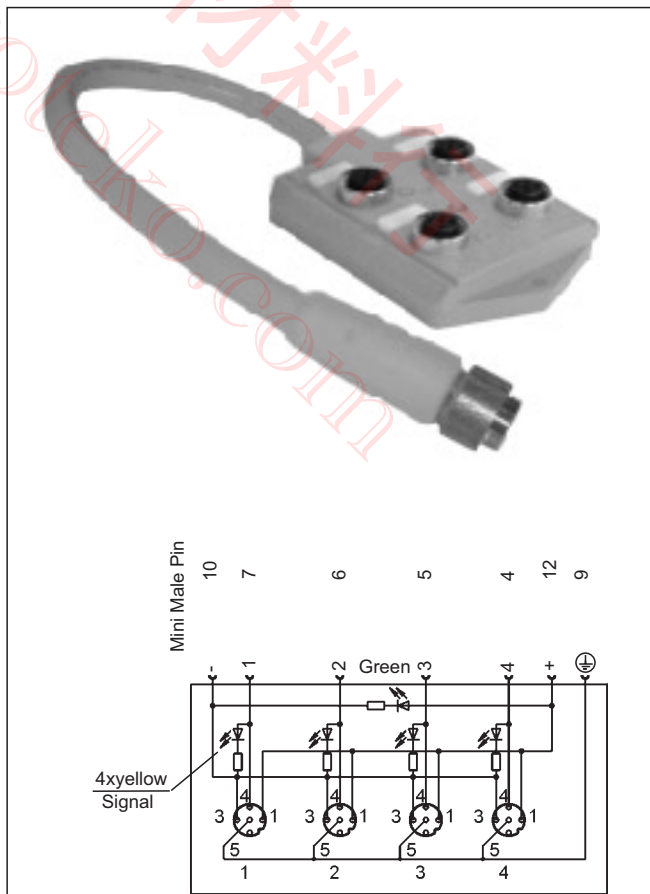
## Dimensional data



## Dimensional data



## View



# DISTRIBUTION BOXES (DBRP-SERIES)

## Description

Distribution Boxes, 4-8 port, Pigtail  
5 poles 4 wires, with built-in LED(PNP). with two dust covers and ten attachable molds

## Technical Data

<b>1. Application Class:</b>	-15°C to +90°C	<b>Working Voltage:</b>	10-30VDC
<b>2. Materials:</b>		<b>Insulation Resistance:</b>	>10 <sup>9</sup> Ω
Housing :	Nylon 6/6	<b>4. Mechanical Data:</b>	
Contact:	Brass, gold over nickel plating	Insertion Force	
Coupling Nut:	Aluminum, Black anodized	(contact)	≤ 2.0N (0.45LBS)
Receptacle Shell:	Brass, nickel plated	Withdrawal Force	
Insert:	PUR(Polyurethane), black	(contact):	≥ 0.5N (0.11LBS)
O-Ring:	Viton	Protection:	IP65(only in fully locked position)
Molded Body:	PUR, Yellow	Shock:	IEC-68-2-27
Male Insert:	PUR, Yellow	Vibration:	IEC-68-2-6
<b>3. Electrical Data:</b>		<b>5. CE Conformity with Standards:</b>	
Contact Resistance:	≤ 5m Ω	EN50082-1, EN50082-2 and IEC60947-5-2	
Current Rating:	4Amps per outlet 12 Amp max per box		

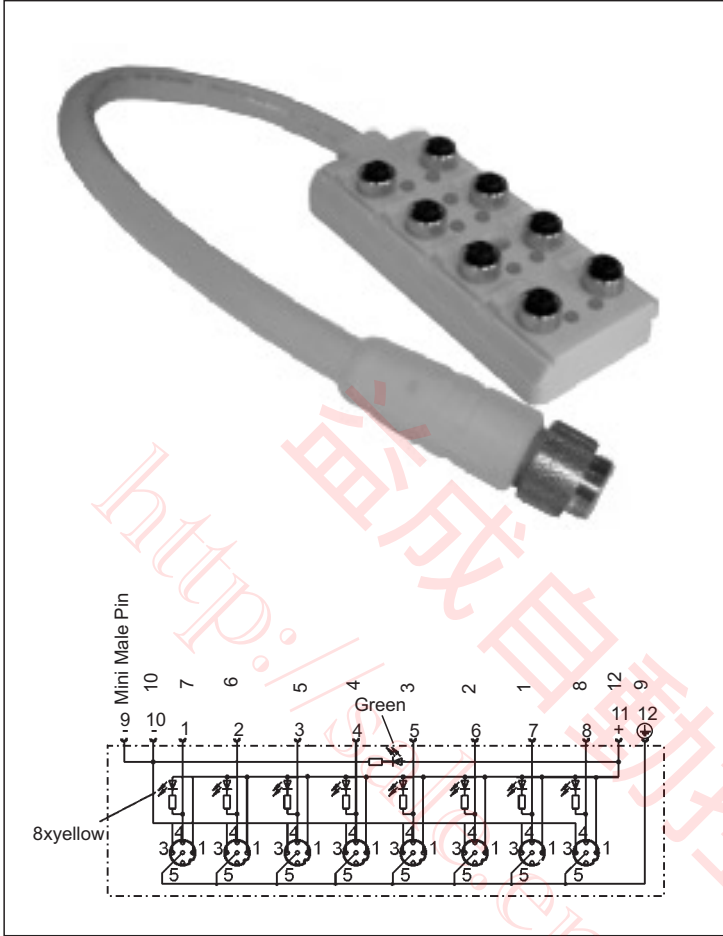
## Order Information

Part Number	Face View Outlets	Face View of Male Plug		Wiring Diagram	
		Poles	Thread	Mini Male Pin	Outlet Pin
ASTR4-5/4PA-P12			M23x1	1=	Blank
ASTR4-5/4PA-PZ12			1 1/8"-16	2=	Blank
				3=	Blank
				4=	4/4
				5=	3/4
				6=	2/4
				7=	1/4
				8=	Blank
				9=	(GND)
				10=	(-)
				11=	Blank
				12	(+)
DSTR8-5/4PA-P12			M23x1	1=	7/4
DSTR8-5/4PA-PZ12			1 1/8"-16	2=	6/4
				3=	5/4
				4=	4/4
				5=	3/4
				6=	2/4
				7=	1/4
				8=	8/4
				9=	(GND)
				10=	(-)
				11=	Blank
				12	(+)
	Pigtail length		Number of cable		
4 ports	305mm		30		
8 ports	305mm		32		

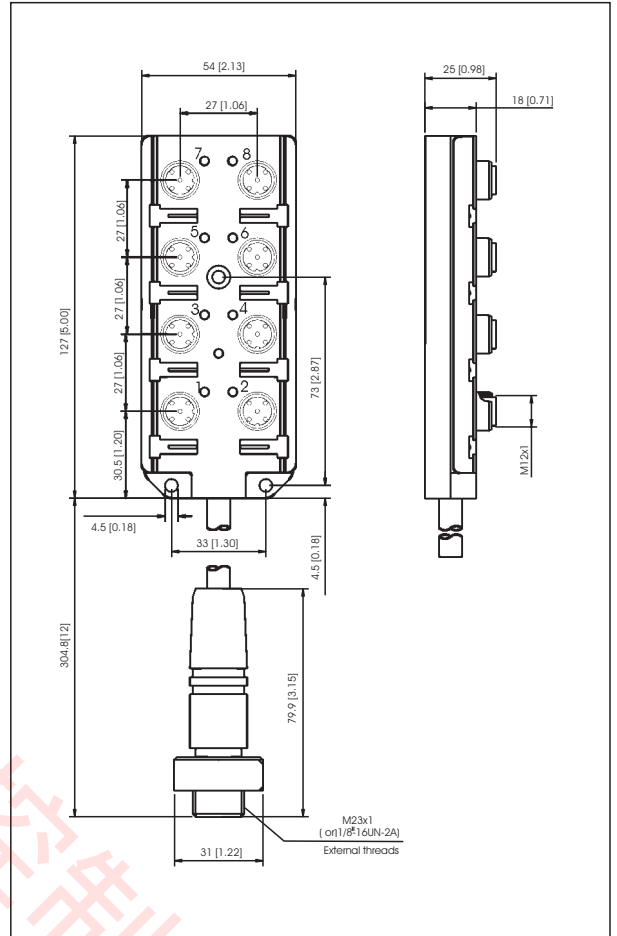
Reference pages J-1~J-17 for additional cable specification

# DISTRIBUTION BOXES(DBRP-SERIES)

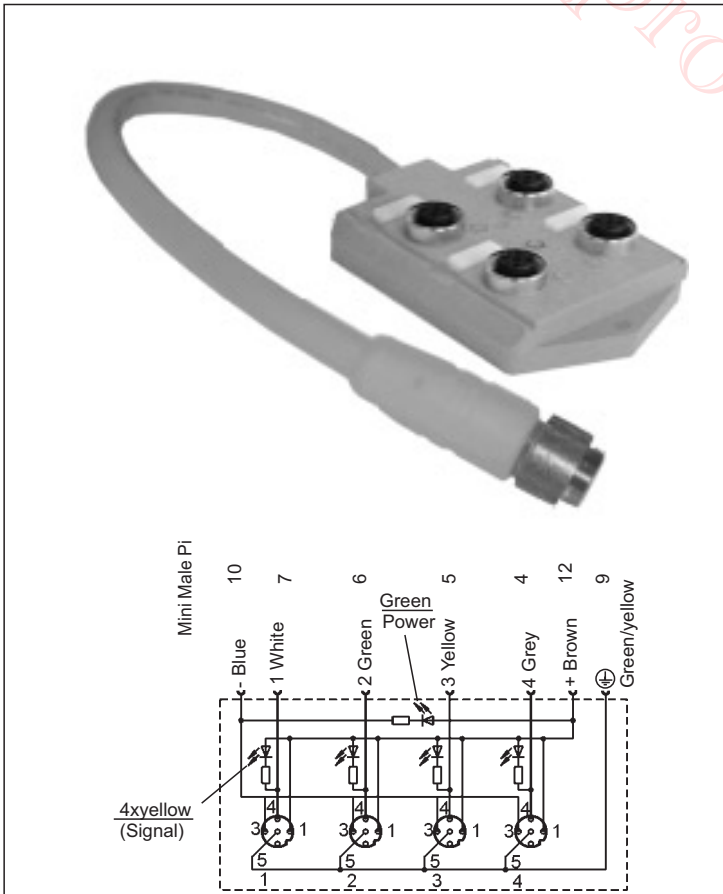
## View



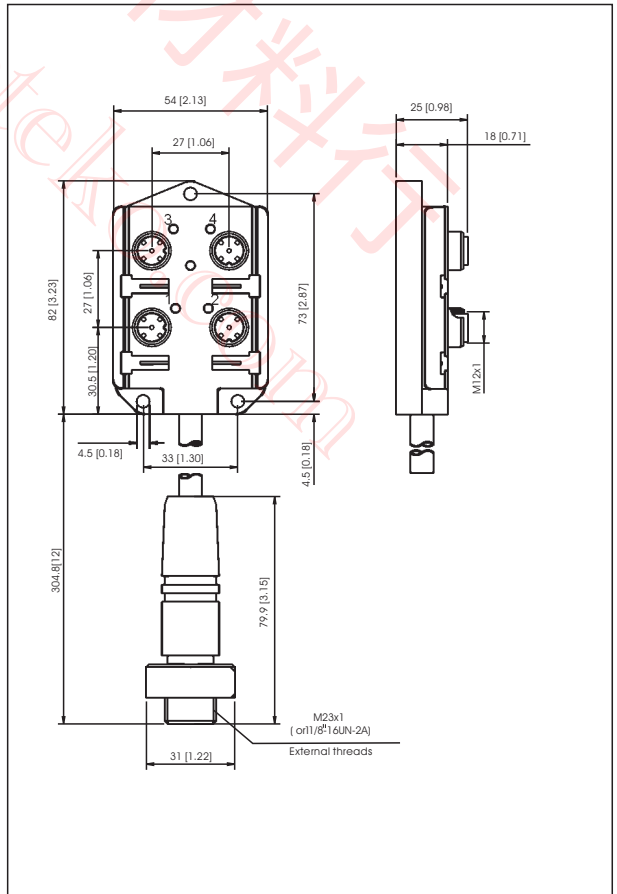
## Dimensional data



## View



## Dimensional data



# DISTRIBUTION BOXES (DBRP-SERIES)

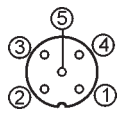

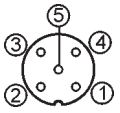

## Description

Distribution Boxes, 4-8 port, Pigtail  
5 poles 4 wires, with built-in LED(PNP). with two dust covers and ten attachable molds

## Technical Data

<b>1. Application Class:</b>	-15°C to +90°C	<b>Working Voltage:</b>	10-30VDC
<b>2. Materials:</b>		<b>Insulation Resistance:</b>	>10 <sup>9</sup> Ω
Housing :	Nylon 6/6	<b>4. Mechanical Data:</b>	
Contact:	Brass, gold over nickel plating	Insertion Force	
Coupling Nut:	Aluminum, Black anodized	(Contact):	≤ 2.0N (0.45LBS)
Receptacle Shell:	Brass, nickel plated	Withdrawal Force	
Insert:	PUR(Polyurethane), black	(contact):	≥ 0.5N (0.11LBS)
O-Ring:	Viton	Protection:	IP65(only in fully locked position)
Molded Body:	PUR, Yellow	Shock:	IEC-68-2-27
Male Insert:	PUR, Yellow	Vibration:	IEC-68-2-6
<b>3. Electrical Data:</b>		<b>5. CE Conformity with Standards:</b>	
Contact Resistance:	≤ 5m Ω	EN50082-1, EN50082-2 and IEC60947-5-2	
Current Rating:	4Amps per outlet 12 Amp max per box		

## Order Information

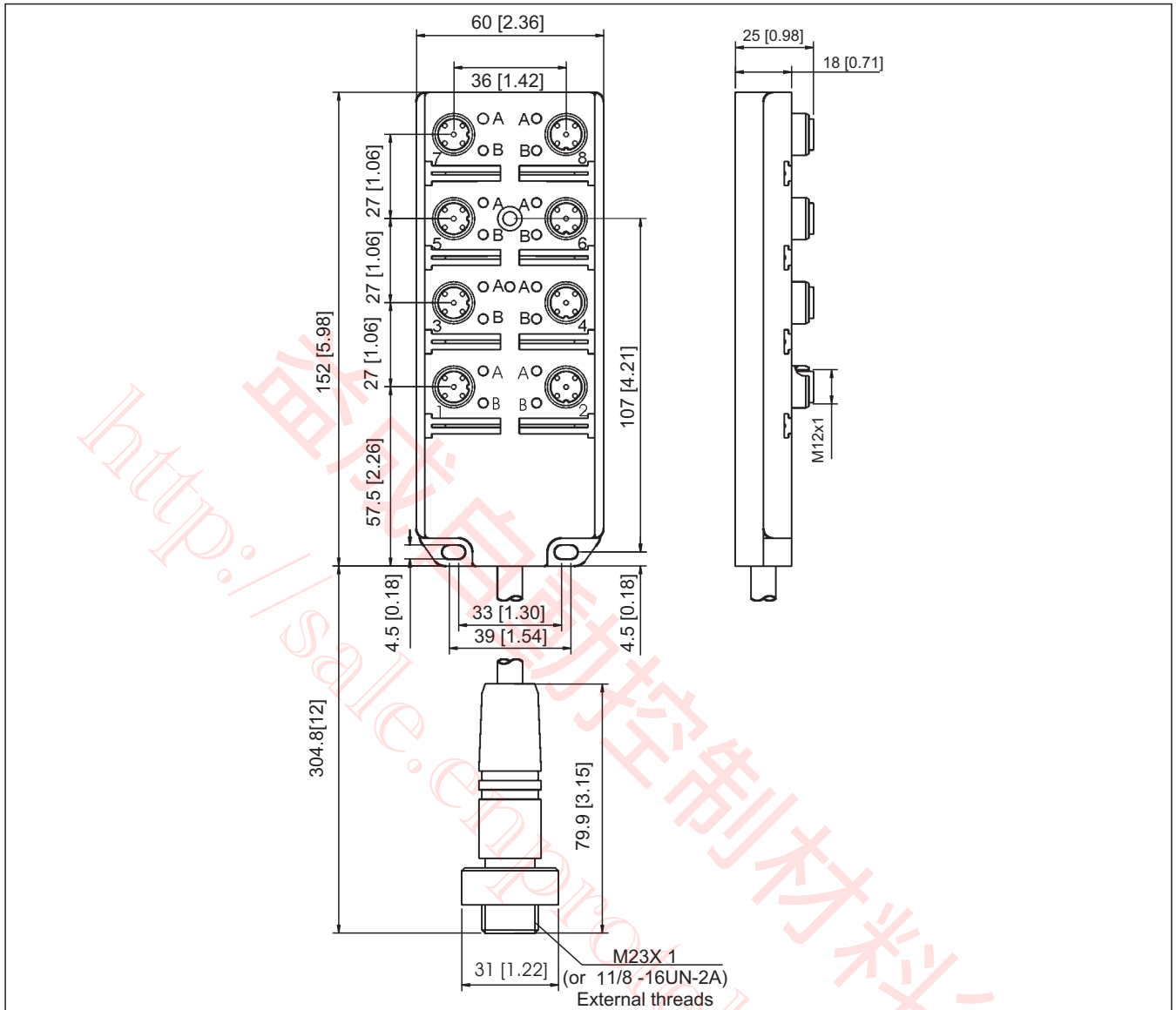
Part Number	Face View Outlets	Face View of Male Plug		Wiring Diagram	
		Poles	Thread	Mini Male Pin	Outlet Pin
ASTR4-5/4NA-P12			M23x1	1=	Blank
ASTR4-5/4NA-PZ12			11/8"-16	2=	Blank
DSTR8-5/4NA-P12			M23x1	3=	Blank
DSTR8-5/4NA-PZ12			11/8"-16	4=	4/4
				5=	3/4
				6=	2/4
				7=	1/4
				8=	Blank
				9=	(gnd)
				10=	(-)
				11=	Blank
				12	(+)
		Pigtail length			
			Number of cable		
4 ports		305mm		30	
8 ports		305mm		32	

Reference pages J-1~J-17 for additional cable specification

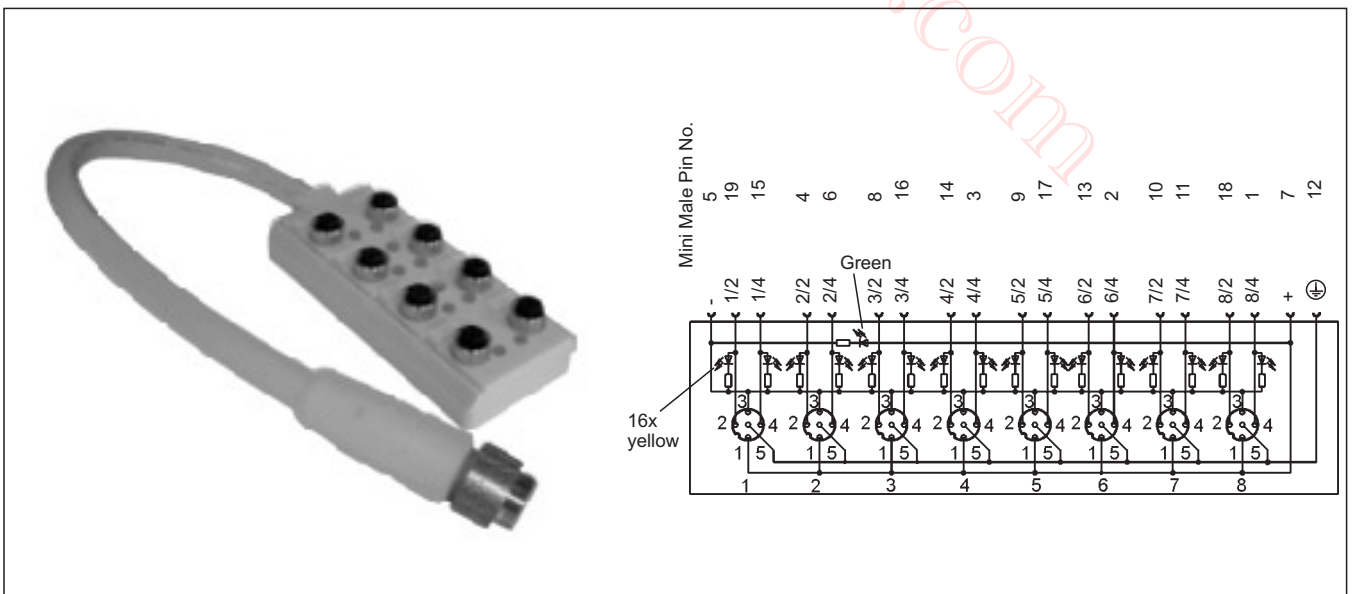


# DISTRIBUTION BOXES(DBRP-SERIES)

## Dimensional data



## View



# DISTRIBUTION BOXES (DBRP-SERIES)

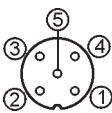
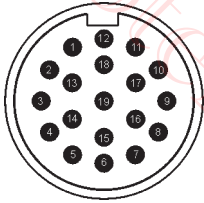
## Description

Distribution Boxes, 8 ports, Pigtail  
5 poles 5 wires, with built-in LED's, with two dust covers and ten attachable molds

## Technical Data

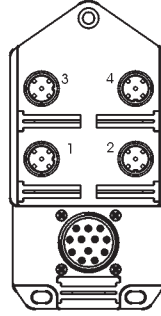
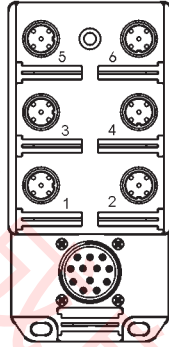
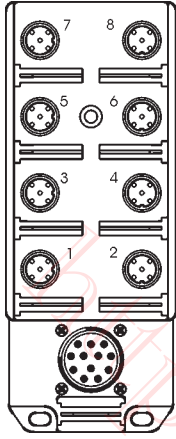
<b>1. Application Class:</b>	-15°C to + 90°C	<b>Working Voltage:</b>	10-30VDC
<b>2. Materials:</b>		<b>Insulation Resistance:</b>	>10 <sup>9</sup> Ω
Housing :	Nylon 6/6	<b>4. Mechanical Data:</b>	
Contact:	Brass, gold over nickel plating	Insertion Force	
Coupling Nut:	Aluminum, Black anodized	(contact):	≤ 2.0N (0.45LBS)
Receptacle Shell:	Brass, nickel plated	Withdrawal Force	
Insert:	PUR (Polyurethane), black	(contact):	≥ 0.5N (0.11LBS)
O-Ring:	Viton	Protection:	IP65 (only in fully locked position)
Molded Body:	PUR, Yellow	Shock:	IEC-68-2-27
Male Insert:	PUR, Yellow	Vibration:	IEC-68-2-6
<b>3. Electrical Data:</b>		<b>5. CE Conformity with Standards:</b>	
Contact Resistance:	≤ 5m Ω	EN50082-1, EN50082-2 and IEC60947-5-2	
Current Rating:	4Amps per outlet 12 Amp max per box		

## Order Information

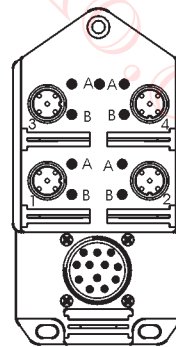
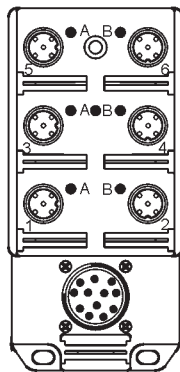
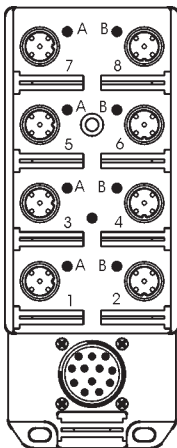
Part Number	Face View Outlets	Face View of Male Plug	Wiring Diagram	
			Mini Male Pin	Outlet Pin
DLTR8-5/5DC-P19			1= 8/4 2= 6/4 3= 4/4 4= 2/2 5= (-) 6= 2/4  7= (+) 8= 3/1 9= 5/2 10= 7/2 11= 7/4 12= (GND)  13= 6/2 14= 4/2 15= 1/4 16= 3/4 17= 5/4 18= 8/2 19= 1/2	
Pigtail length		Pigtail thread	Number of cable	
305mm		M23X1	38	

Reference pages J-1~J-17 for additional cable specification

# DISTRIBUTION BOXES **DBRTZ SERIES** INDEX



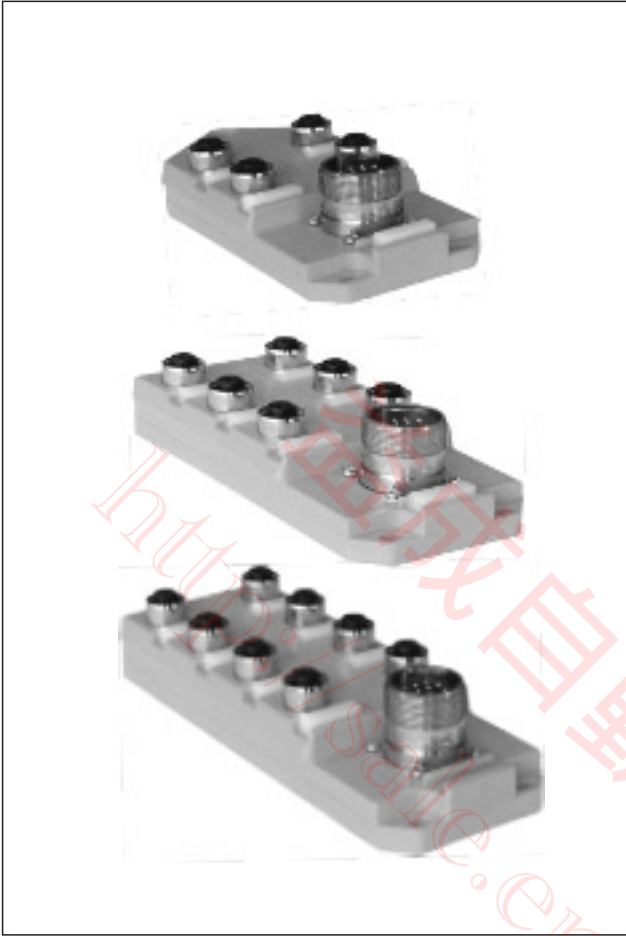
Page H48



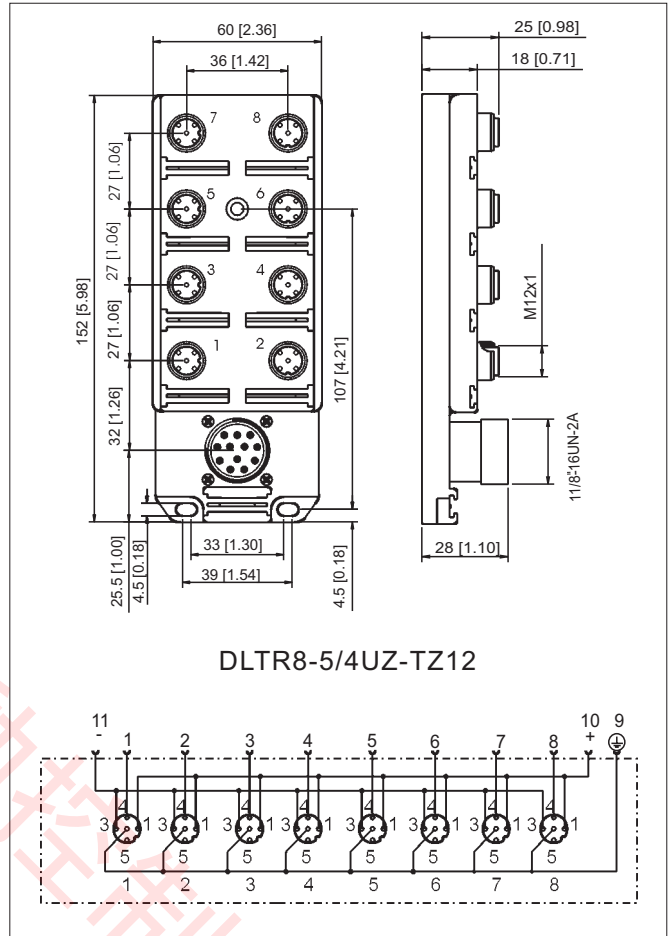
Page H50/Page H52

# DISTRIBUTION BOXES(DBRTZ-SERIES)

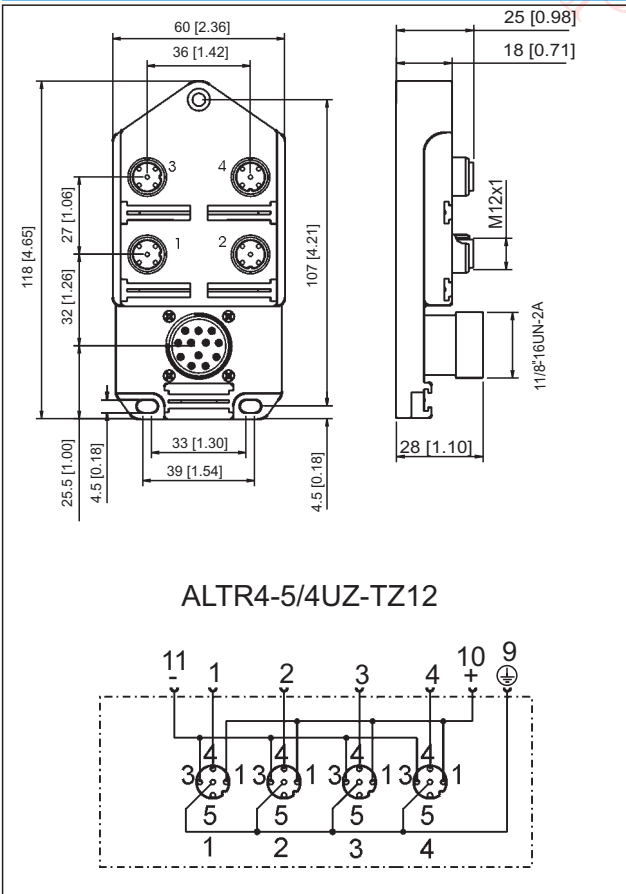
## View



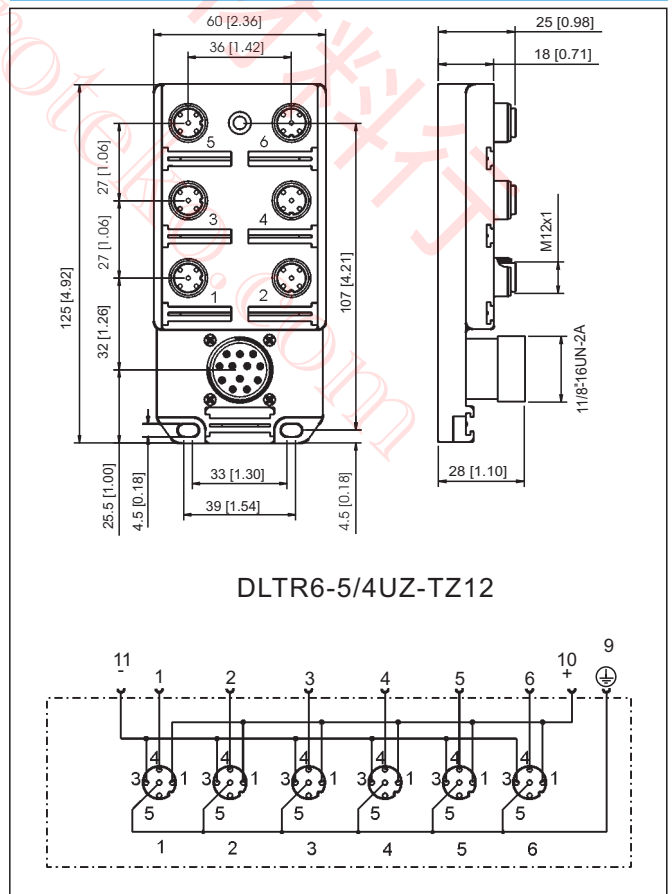
## Dimensional data



## Dimensional data



## Dimensional data



# DISTRIBUTION BOXES (DBRTZ-SERIES)

## Description

Distribution Boxes, 4-6-8 port, Quick Disconnect on Top, and poles were placed by clockwise 5 poles 4 wires, earth connection, with two dust covers and ten attachable molds

## Technical Data

- |  |   |
|--|---|
| <p><b>1. Application Class:</b> -15°C to +90°C</p> <p><b>2. Materials:</b><br/>                 Housing : Nylon 6/6<br/>                 Contact: Brass, gold over nickel plating<br/>                 Receptacle Shell: Brass, nickel plated<br/>                 Insert: PUR (Polyurethane), black<br/>                 O-Ring: Viton</p> <p><b>3. Electrical Data:</b><br/>                 Contact Resistance: <math>\leq 5m\ \Omega</math><br/>                 Current Rating: 4 Amps per outlet<br/>                 12 Amp max per box<br/>                 Working Voltage: 60VAC/75VDC<br/>                 Insulation Resistance: <math>&gt;10^9\ \Omega</math></p> | <p><b>4. Mechanical Data:</b><br/>                 Insertion Force (contact): <math>\leq 2.0N(0.45LBS)</math><br/>                 Withdrawal Force (contact): <math>\geq 0.5N(0.11LBS)</math><br/>                 Protection: IP65 (only in fully locked position)<br/>                 Shock: IEC-68-2-27<br/>                 Vibration: IEC-68-2-6</p> <p><b>5. CE Conformity with Standards:</b><br/>                 EN50082-1, EN50082-2 and IEC60947-5-2</p> |
|--|---|

## Order Information

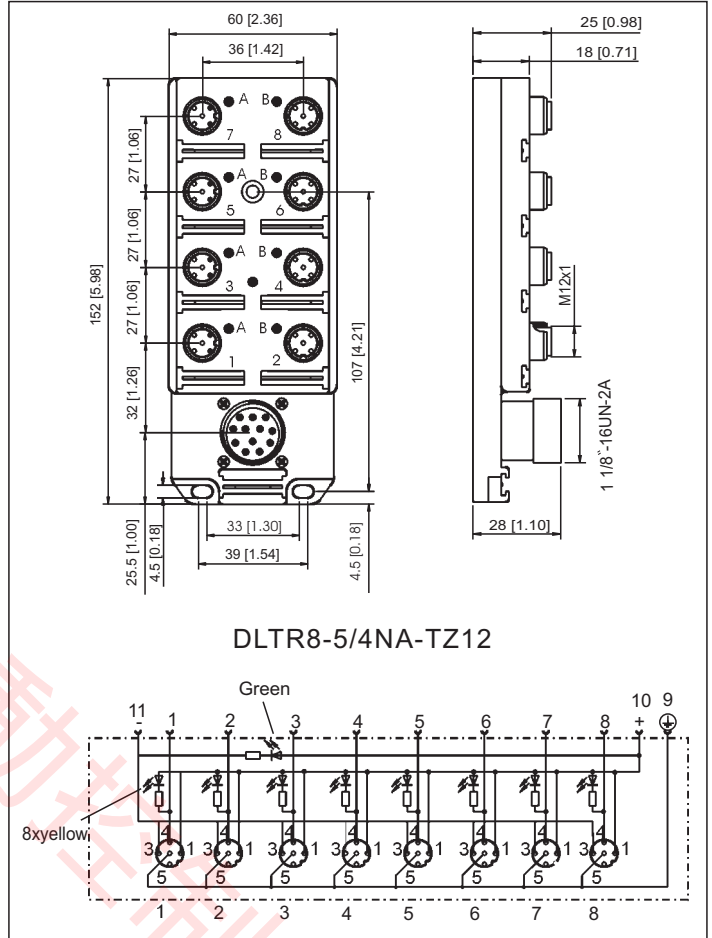
Part Number	Face View Outlets	Connector Face View		Wiring Diagram	
		Poles	Thread	Outlet Pins	Connector Pins
ALTR4-5/4UZ-TZ12			1 1/8"-16	1~4/1= 10 (+) 1~4/2= No wire 1~4/3= 11 (-) 1/ 4= 1 2/ 4= 2 3/ 4= 3 4/ 4= 4 1~4/5= 9(GND)	
DLTR6-5/4UZ-TZ12			1 1/8"-16	1~6/1= 10(+) 1~6/2= No wire 1~6/3= 11 (-) 1/ 4= 1 2/ 4= 2 3/ 4= 3 4/ 4= 4 5/ 4= 5 6/ 4= 6 1~6/5= 9 (GND)	
DLTR8-5/4UZ-TZ12			1 1/8"-16	1~8/1= 10(+) 1~8/2= No wire 1~8/3= 11 (-) 1/ 4= 1 2/ 4= 2 3/ 4= 3 4/ 4= 4 5/ 4= 5 6/ 4= 6 7/ 4= 7 8/ 4= 8 1~8/5= 9 (GND)	

# DISTRIBUTION BOXES(DBRTZ-SERIES)

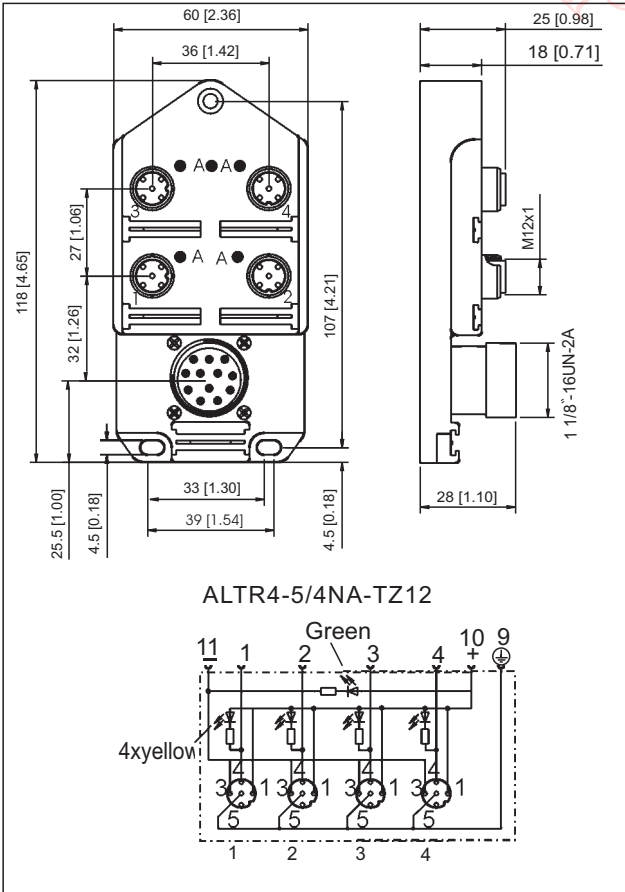
## View



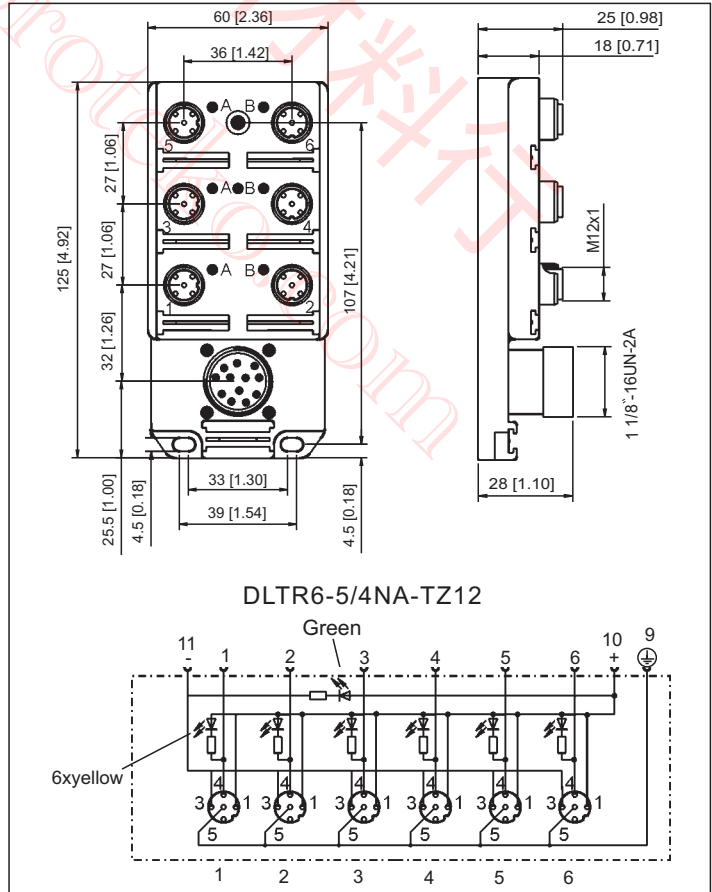
## Dimensional data



## View



## Dimensional data



# DISTRIBUTION BOXES (DBRTZ-SERIES)

## Description

Distribution Boxes, 4-6-8 port, Quick Disconnect on Top, and poles were placed by clockwise 5 poles 4 wires, with built-in LED. earth connection, with two dust covers and ten attachable molds

## Technical Data

1. Application Class: -15°C to +90°C

### 2. Materials:

Housing : Nylon 6/6  
 Contact: Brass, gold over nickel plating  
 Receptacle Shell: Brass, nickel plated  
 Insert: PUR (Polyurethane), black  
 O-Ring: Viton

### 3. Electrical Data:

Contact Resistance:  $\leq 5m\Omega$   
 Current Rating: 4 Amps per outlet  
 12 Amp max per box  
 Working Voltage: 10-30VDC  
 Insulation Resistance:  $>10^9\Omega$

### 4. Mechanical Data:

Insertion Force (contact):  $\leq 2.0N$  (0.45LBS)  
 Withdrawal Force (contact):  $\geq 0.5N$  (0.11LBS)  
 Protection: IP65 (only in fully locked position)  
 Shock: IEC-68-2-27  
 Vibration: IEC-68-2-6

### 5. CE Conformity with Standards:

EN50082-1, EN50082-2 and IEC60947-5-2

## Order Information

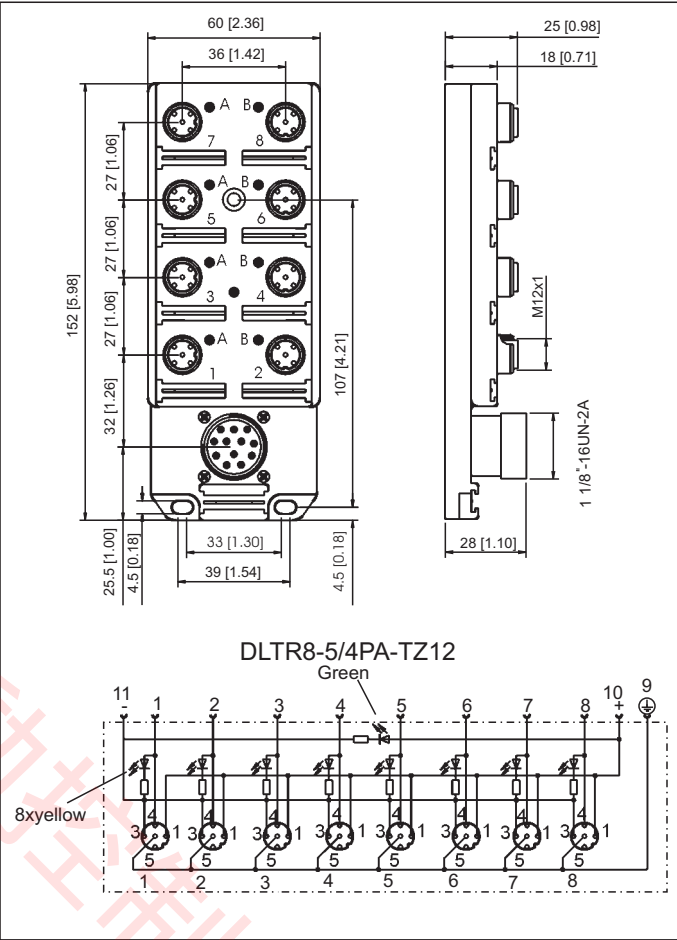
Part Number	Face View Outlets	Connector Face View		Wiring Diagram	
		Poles	Thread	Outlet Pins	Connector Pins
ALTR4-5/4NA-TZ12			1 1/8"-16	1~4/1= 10 (+) 1~4/2= No wire 1~4/3= 11 (-) 1/4= 1 2/4= 2 3/4= 3 4/4= 4 1~4/5= 9 (GND)	
DLTR6-5/4NA-TZ12			1 1/8"-16	1~6/1= 10 (+) 1~6/2= No wire 1~6/3= 11 (-) 1/4= 1 2/4= 2 3/4= 3 4/4= 4 5/4= 5 6/4= 6 1~6/5= 9 (GND)	
DLTR8-5/4NA-TZ12			1 1/8"-16	1~8/1= 10 (+) 1~8/2= No wire 1~8/3= 11 (-) 1/4= 1 2/4= 2 3/4= 3 4/4= 4 5/4= 5 6/4= 6 7/4= 7 8/4= 8 1~8/5= 9 (GND)	

# DISTRIBUTION BOXES(DBRTZ-SERIES)

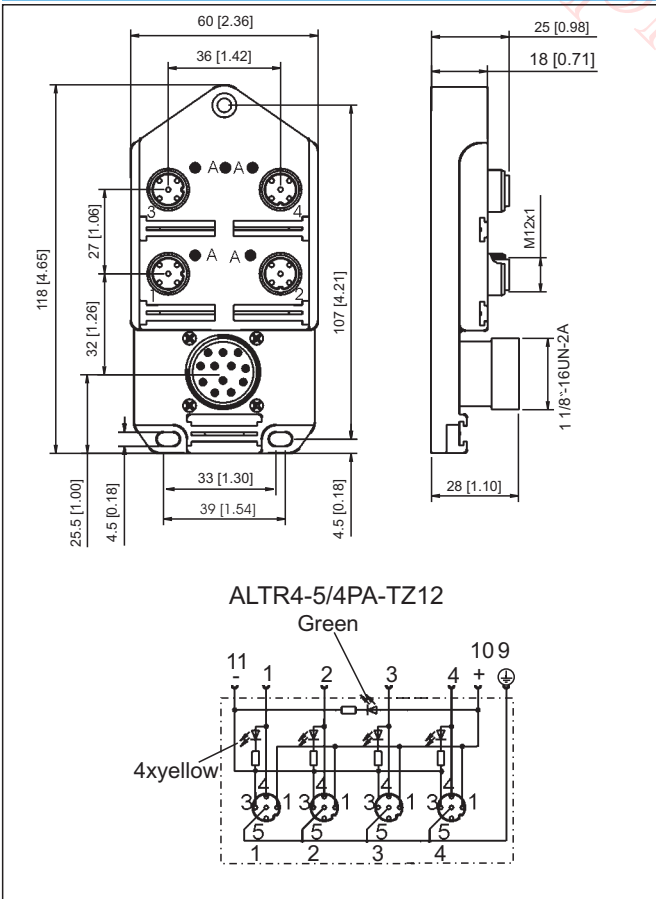
## View



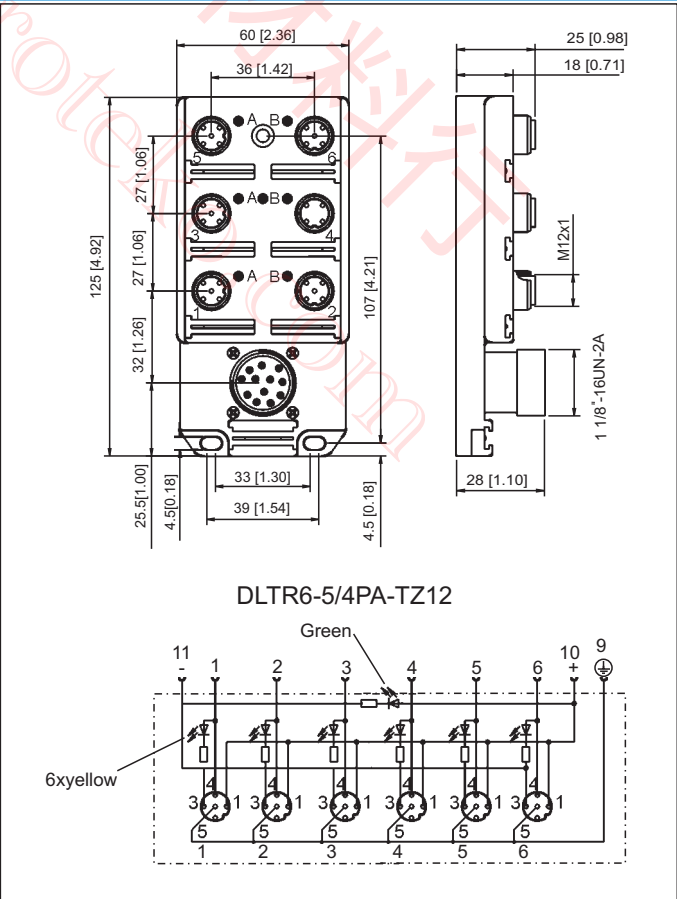
## Dimensional data



## View



## Dimensional data





# DISTRIBUTION BOXES (DBRTZ-SERIES)

## Description

Distribution Boxes, 4-6-8 port, Quick Disconnect on Top, and poles were placed by clockwise 5 poles 4 wires, with built-in LED. earth connection with two dust covers and ten attachable molds

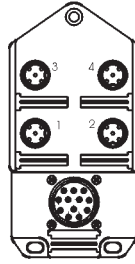
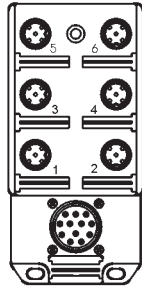
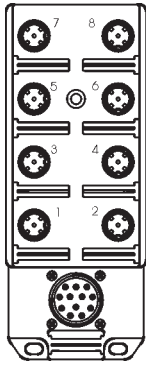
## Technical Data

- |   |   |
|---|---|
| <p><b>1. Application Class:</b> -15°C to +90°C</p> <p><b>2. Materials:</b><br/>                 Housing : Nylon 6/6<br/>                 Contact: Brass, gold over nickel plating<br/>                 Receptacle Shell: Brass, nickel plated<br/>                 Insert: PUR (Polyurethane), black<br/>                 O-Ring: Viton</p> <p><b>3. Electrical Data:</b><br/>                 Contact Resistance: <math>\leq 5m\ \Omega</math><br/>                 Current Rating: 4 Amps per outlet<br/>                 12 Amp max per box<br/>                 Working Voltage: 10-30VDC<br/>                 Insulation Resistance: <math>&gt;10^9\ \Omega</math></p> | <p><b>4. Mechanical Data:</b><br/>                 Insertion Force (contact): <math>\leq 2.0N</math> (0.45LBS)<br/>                 Withdrawal Force (contact): <math>\geq 0.5N</math> (0.11LBS)<br/>                 Protection: IP65 (only in fully locked position)<br/>                 Shock: IEC-68-2-27<br/>                 Vibration: IEC-68-2-6</p> <p><b>5. CE Conformity with Standards:</b><br/>                 EN50082-1, EN50082-2 and IEC60947-5-2</p> |
|---|---|

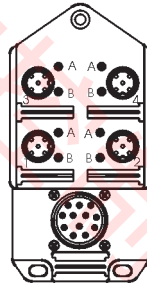
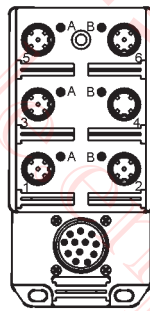
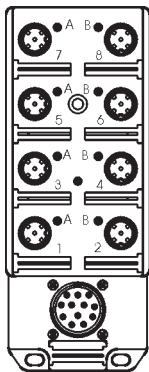
## Order Information

Part Number	Face View Outlets	Connector Face View		Wiring Diagram	
		Poles	Thread	Outlet Pins	Connector Pins
ALTR4-5/4PA-TZ12			1 1/8"-16	1~4/1= 10 (+) 1~4/2= No wire 1~4/3= 11 (-) 1/ 4= 1 2/ 4= 2 3/ 4= 3 4/ 4= 4 1~4/5= 9 (GND)	
DLTR6-5/4PA-TZ12			1 1/8"-16	1~6/1= 10 (+) 1~6/2= No wire 1~6/3= 11 (-) 1/ 4= 1 2/ 4= 2 3/ 4= 3 4/ 4= 4 5/ 4= 5 6/ 4= 6 1~6/5= 9 (GND)	
DLTR8-5/4PA-TZ12			1 1/8"-16	1~8/1= 10 (+) 1~8/2= No wire 1~8/3= 11 (-) 1/ 4= 1 2/ 4= 2 3/ 4= 3 4/ 4= 4 5/ 4= 5 6/ 4= 6 7/ 4= 7 8/ 4= 8 1~8/5= 9 (GND)	

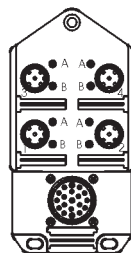
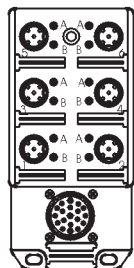
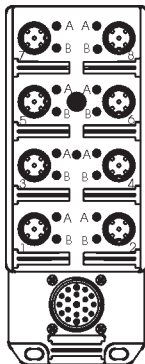
# DISTRIBUTION BOXES **DBRT SERIES** INDEX



Page H56



Page H58/page H60



Page H62

Page H64

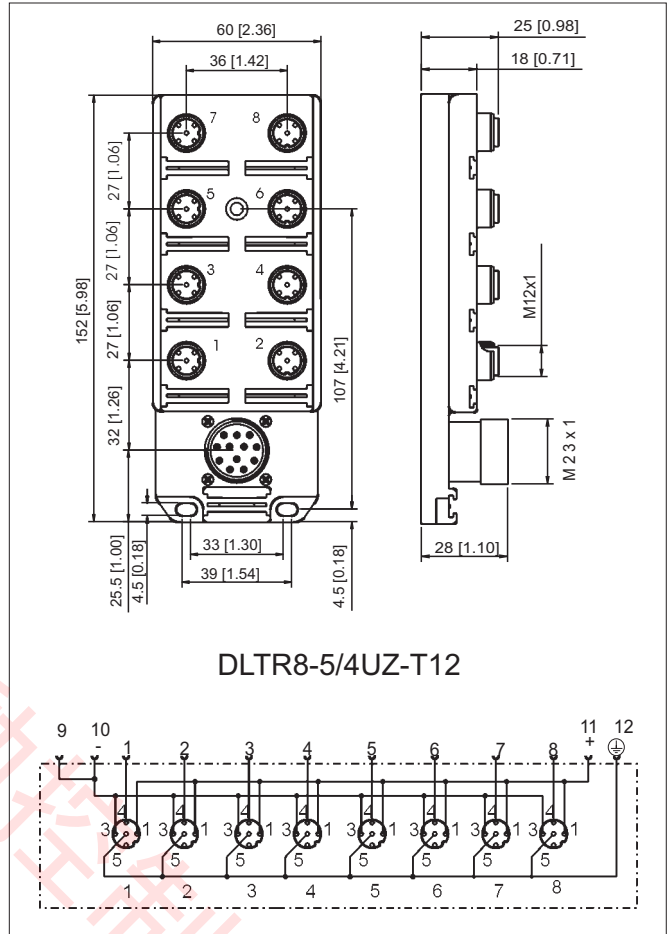
Page H66

# DISTRIBUTION BOXES(DBRT-SERIES)

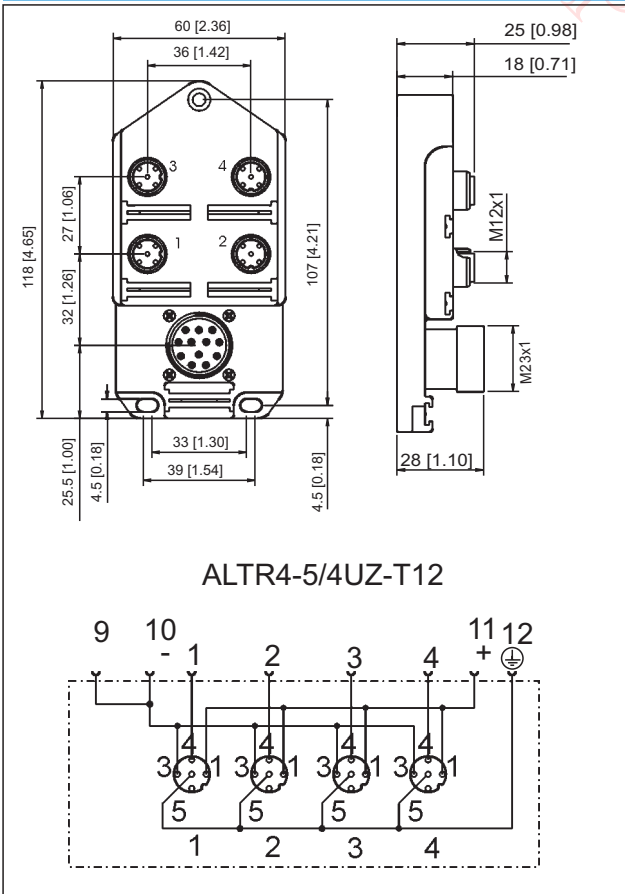
## View



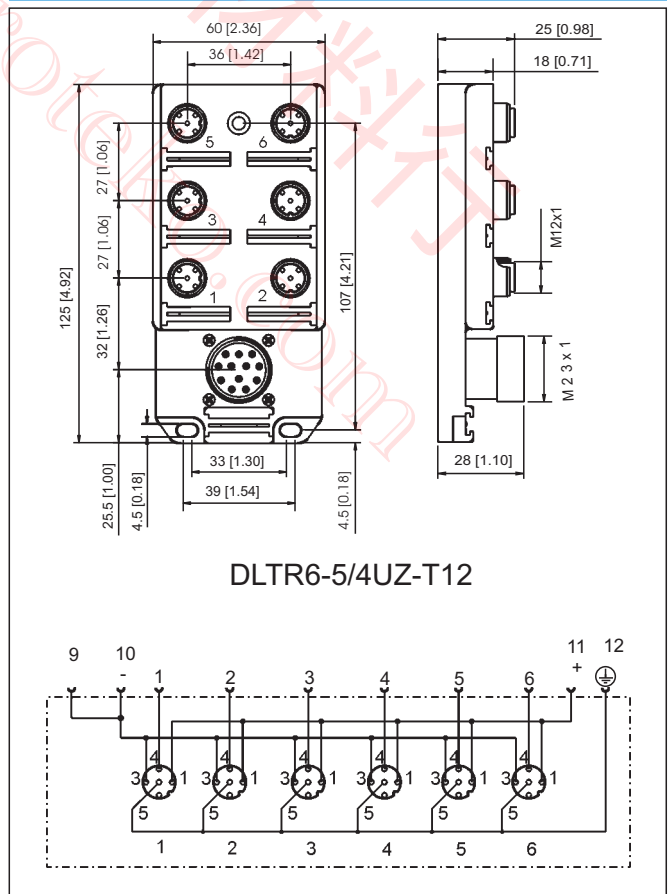
## Dimensional data



## Dimensional data



## Dimensional data



# DISTRIBUTION BOXES (DBRT-SERIES)

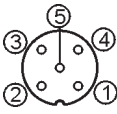

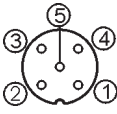
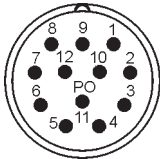
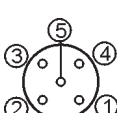
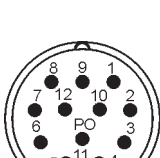
## Description

Distribution Boxes, 4-6-8 port, Quick Disconnect on Top, and poles were placed by counter-clockwise  
5 poles 4 wires, earth connection, with two dust covers and ten attachable molds

## Technical Data

- |  |  |
|--|--|
| <p><b>1. Application Class:</b> -15 °C to +90 °C</p> <p><b>2. Materials:</b><br/>                 Housing : Nylon 6/6<br/>                 Contact: Brass,gold over nickel plating<br/>                 Receptacle Shell: Brass,nickel plated<br/>                 Insert: PUR(Polyurethane),black<br/>                 O-Ring: Viton</p> <p><b>3. Electrical Data:</b><br/>                 Contact Resistance: <math>\leq 5m\ \Omega</math><br/>                 Current Rating: 4 Amps per outlet<br/>                 12 Amp max per box<br/>                 Working Voltage: 60VAC/75VDC<br/>                 Insulation Resistance: <math>&gt;10^9\ \Omega</math></p> | <p><b>4. Mechanical Data:</b><br/>                 Insertion Force (contact): <math>\leq 2.0N(0.45LBS)</math><br/>                 Withdrawal Force (contact): <math>\geq 0.5N(0.11LBS)</math><br/>                 Protection: IP65(only in fully locked position)<br/>                 Shock: IEC-68-2-27<br/>                 Vibration: IEC-68-2-6</p> <p><b>5. CE Conformity with Standards:</b><br/>                 EN50082-1, EN50082-2 and IEC60947-5-2</p> |
|--|--|

## Order Information

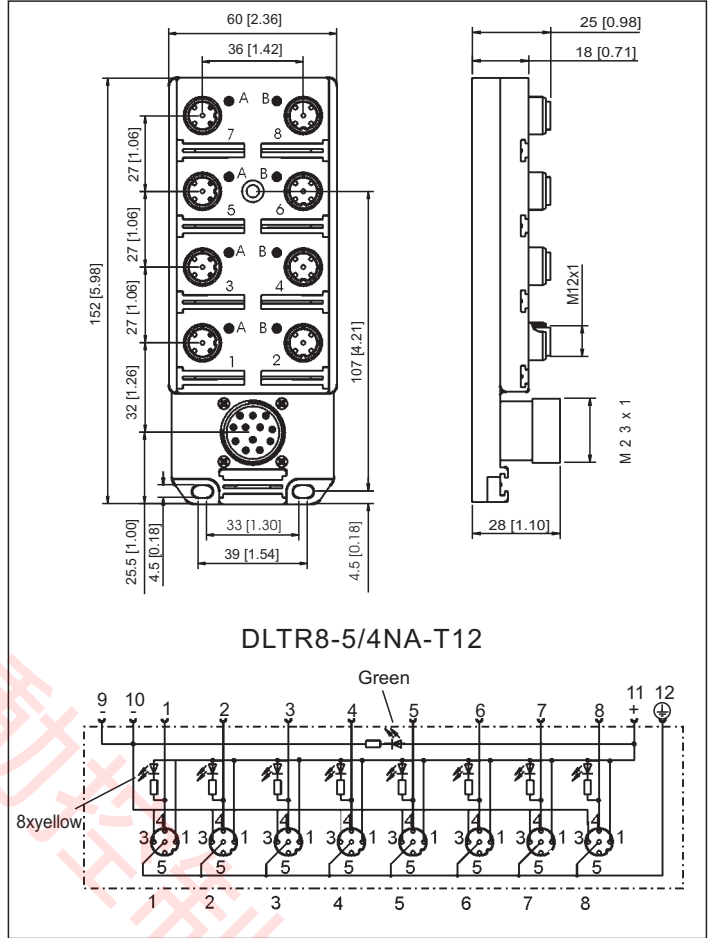
Part Number	Face View Outlets	Connector Face View		Wiring Diagram	
		Poles	Thread	Outlet Pins	Connector Pins
ALTR4-5/4UZ-T12			M23x1	1~4/1= 11(+) 1~4/2= No wire 1~4/3= 9 bridged 10 (-) 1/ 4= 1 2/ 4= 2 3/ 4= 3 4/ 4= 4 1~4/5= 12(GND)	
DLTR6-5/4UZ-T12			M23x1	1~6/1= 11(+) 1~6/2= No wire 1~6/3= 9 bridged 10(-) 1/ 4= 1 2/ 4= 2 3/ 4= 3 4/ 4= 4 5/ 4= 5 6/ 4= 6 1~6/5= 12 (GND)	
DLTR8-5/4UZ-T12			M23x1	1~8/1= 11(+) 1~8/2= No wire 1~8/3= 9 bridged 10(-) 1/ 4= 1 2/ 4= 2 3/ 4= 3 4/ 4= 4 5/ 4= 5 6/ 4= 6 7/ 4= 7 8/ 4= 8 1~8/5= 12 (GND)	

# DISTRIBUTION BOXES(DBRT-SERIES)

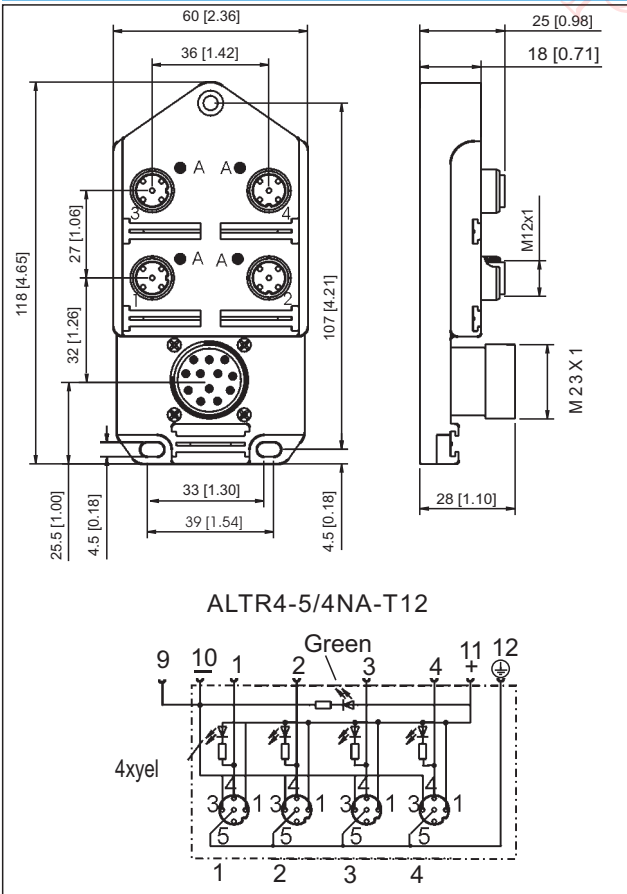
## View



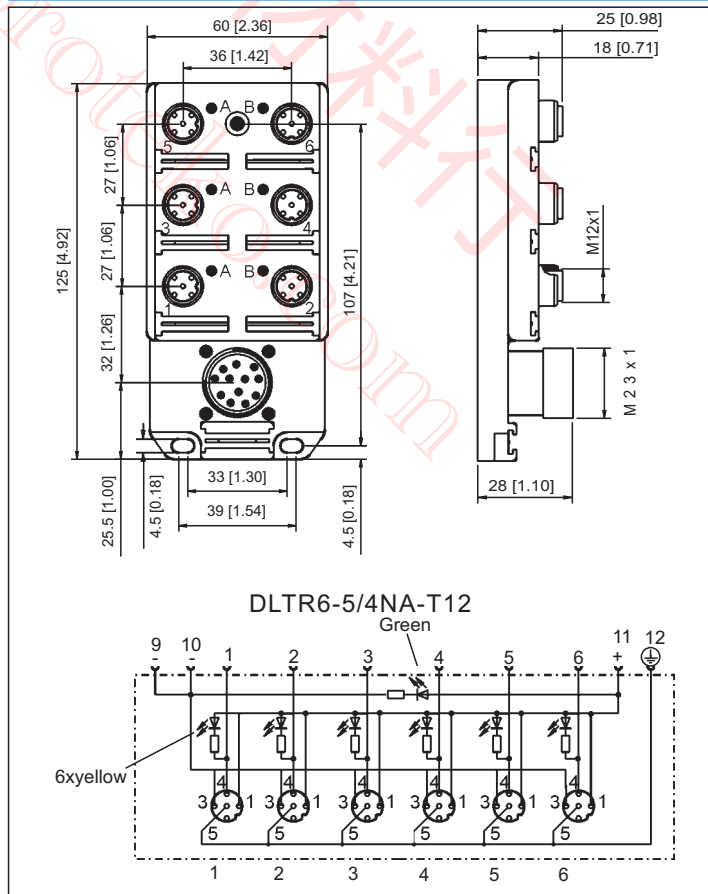
## Dimensional data



## View



## Dimensional data



# DISTRIBUTION BOXES (DBRT-SERIES)

## Description

Distribution Boxes, 4-6-8 port, Quick Disconnect on Top, and poles were placed by counter-clockwise 5 poles 4 wires, with built-in LED. earth connection, with two dust covers and ten attachable molds

## Technical Data

<p><b>1. Application Class:</b> -15 °C to +90 °C</p> <p><b>2. Materials:</b>                  Housing : Nylon 6/6                  Contact: Brass, gold over nickel plating                  Receptacle Shell: Brass, nickel plated                  Insert: PUR (Polyurethane), black                  O-Ring: Viton</p> <p><b>3. Electrical Data:</b>                  Contact Resistance: <math>\leq 5m\Omega</math>                  Current Rating: 4 Amps per outlet                  12 Amp max per box                  Working Voltage: 10-30VDC                  Insulation Resistance: <math>&gt;10^9\Omega</math></p>	<p><b>4. Mechanical Data:</b>                  Insertion Force (contact): <math>\leq 2.0N</math> (0.45LBS)                  Withdrawal Force (contact): <math>\geq 0.5N</math> (0.11LBS)                  Protection: IP65 (only in fully locked position)                  Shock: IEC-68-2-27                  Vibration: IEC-68-2-6</p> <p><b>5. CE Conformity with Standards:</b>                  EN50082-1, EN50082-2 and IEC60947-5-2</p>
---	---

## Order Information

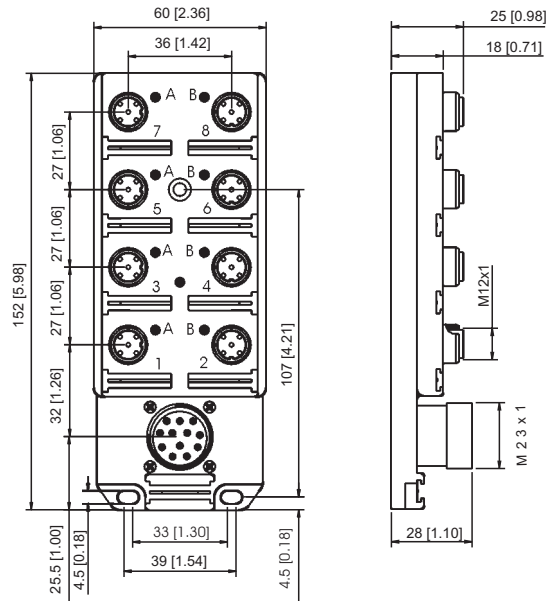
Part Number	Face View Outlets	Connector Face View		Wiring Diagram	
		Poles	Thread	Outlet Pins	Connector Pins
ALTR4-5/4NA-T12			M23x1	1~4/1= 1~4/2= 1~4/3= 1/ 4= 2/ 4= 3/ 4= 4/ 4= 1~4/5=	11 (+) No wire 9 bridged 10 (-) 1 2 3 4 12 (GND)
DLTR6-5/4NA-T12			M23x1	1~6/1= 1~6/2= 1~6/3= 1/ 4= 2/ 4= 3/ 4= 4/ 4= 5/ 4= 6/ 4= 1~6/5=	11 (+) No wire 9 bridged 10 (-) 1 2 3 4 5 6 12 (GND)
DLTR8-5/4NA-T12			M23x1	1~8/1= 1~8/2= 1~8/3= 1/ 4= 2/ 4= 3/ 4= 4/ 4= 5/ 4= 6/ 4= 7/ 4= 8/ 4= 1~8/5=	11 (+) No wire 9 bridged 10 (-) 1 2 3 4 5 6 7 8 12 (GND)

# DISTRIBUTION BOXES(DBRT-SERIES)

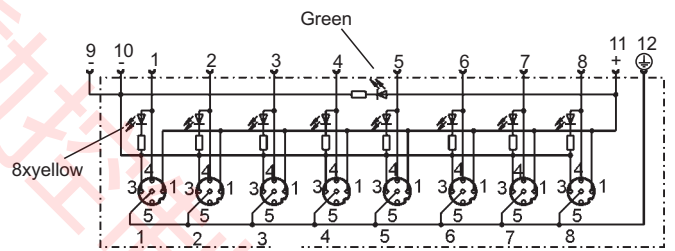
## View



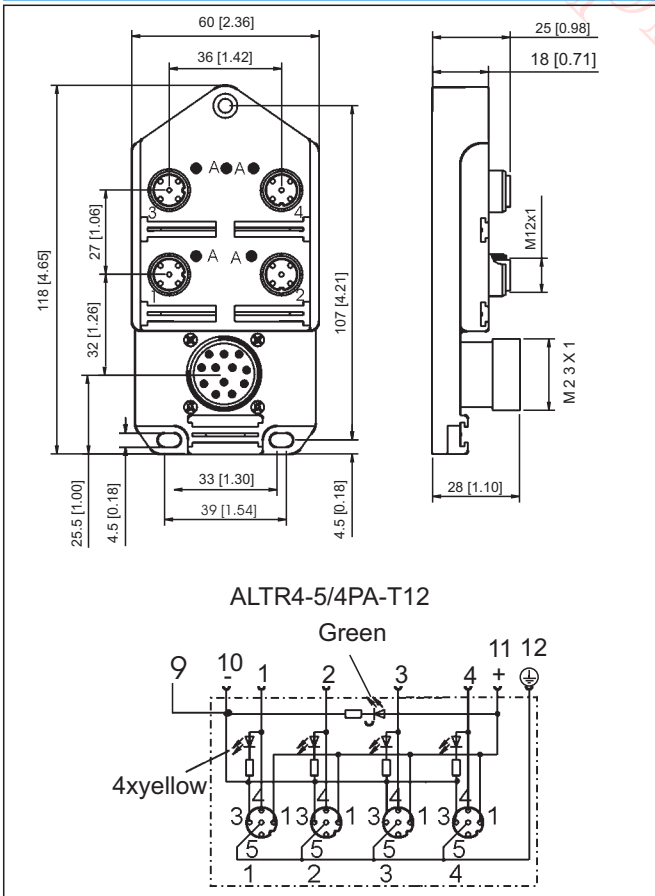
## Dimensional data



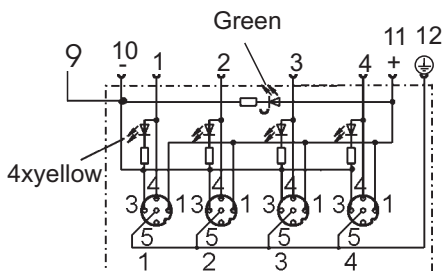
DLTR8-5/4PA-T12



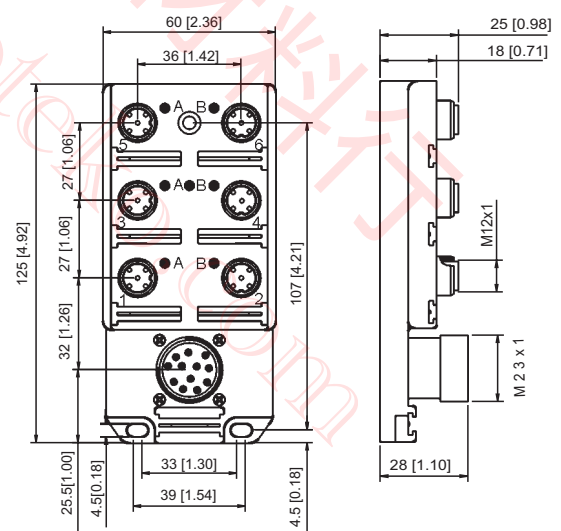
## View



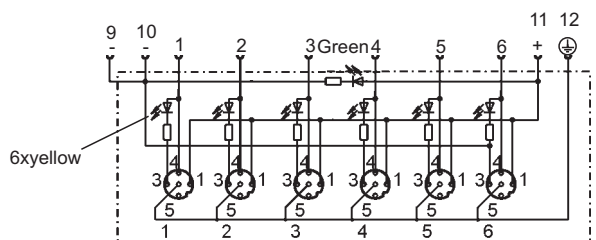
ALTR4-5/4PA-T12



## Dimensional data



DLTR6-5/4PA-T12





# DISTRIBUTION BOXES (DBRT-SERIES)

## Description

Distribution Boxes, 4-6-8 port, Quick Disconnect on Top, and poles were placed by counter-clockwise  
5 poles 4 wires, with built-in LED. earth connection, with two dust covers and ten attachable molds

## Technical Data

1. Application Class: -15°C to +90°C

### 2. Materials:

Housing : Nylon 6/6  
Contact: Brass, gold over nickel plating  
Receptacle Shell: Brass, nickel plated  
Insert: PUR (Polyurethane), black  
O-Ring: Viton

### 3. Electrical Data:

Contact Resistance:  $\leq 5m\Omega$   
Current Rating: 4 Amps per outlet  
12 Amp max per box  
Working Voltage: 10-30VDC  
Insulation Resistance:  $>10^9 \Omega$

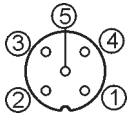

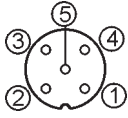
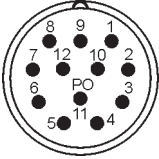
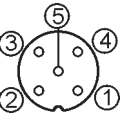
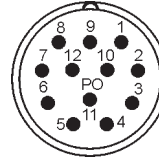
### 4. Mechanical Data:

Insertion Force (contact):  $\leq 2.0N$  (0.45LBS)  
Withdrawal Force (contact):  $\geq 0.5N$  (0.11LBS)  
Protection: IP65 (only in fully locked position)  
Shock: IEC-68-2-27  
Vibration: IEC-68-2-6

### 5. CE Conformity with Standards:

EN50082-1, EN50082-2 and IEC60947-5-2

## Order Information

Part Number	Face View Outlets	Connector Face View		Wiring Diagram	
		Poles	Thread	Outlet Pins	Connector Pins
ALTR4-5/4PA-T12			M23x1	1~4/1= 1~4/2= 1~4/3= 1 /4= 2 /4= 3 /4= 4 /4= 1~4/5=	11 (+) No wire 9 bridged 10(-) 1 2 3 4 12 (GND)
DLTR6-5/4PA-T12			M23x1	1~6/1= 1~6/2= 1~6/3= 1 /4= 2 /4= 3 /4= 4 /4= 5 /4= 6 /4= 1~6/5=	11 (+) No wire 9 bridged 10(-) 1 2 3 4 5 6 12 (GND)
DLTR8-5/4PA-T12			M23x1	1~8/1= 1~8/2= 1~8/3= 1 /4= 2 /4= 3 /4= 4 /4= 5 /4= 6 /4= 7 /4= 8 /4= 1~8/5=	11 (+) No wire 9 bridged 10(-) 1 2 3 4 5 6 7 8 12 (GND)

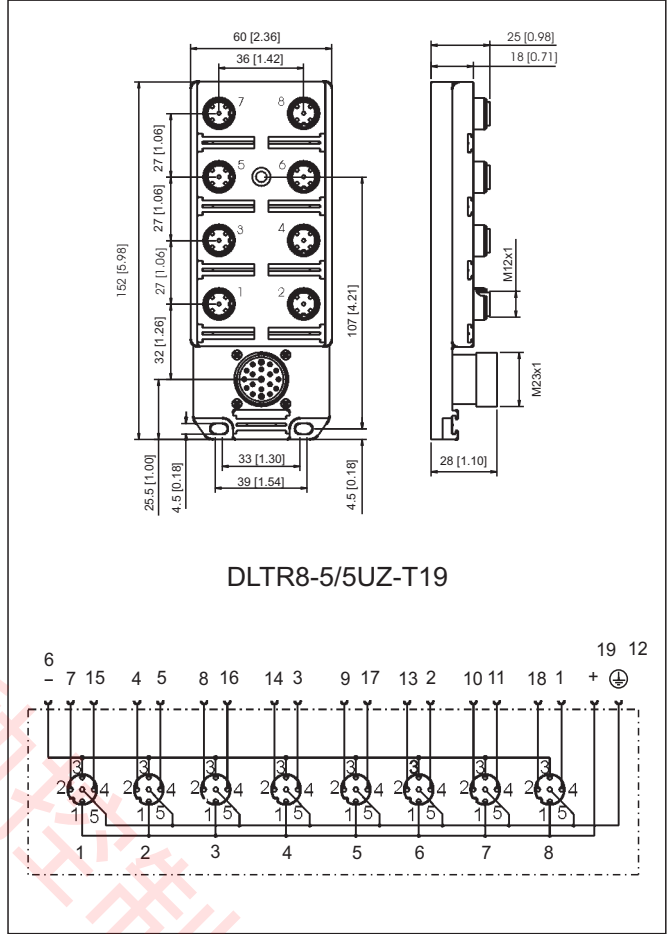


# DISTRIBUTION BOXES(DBRT-SERIES)

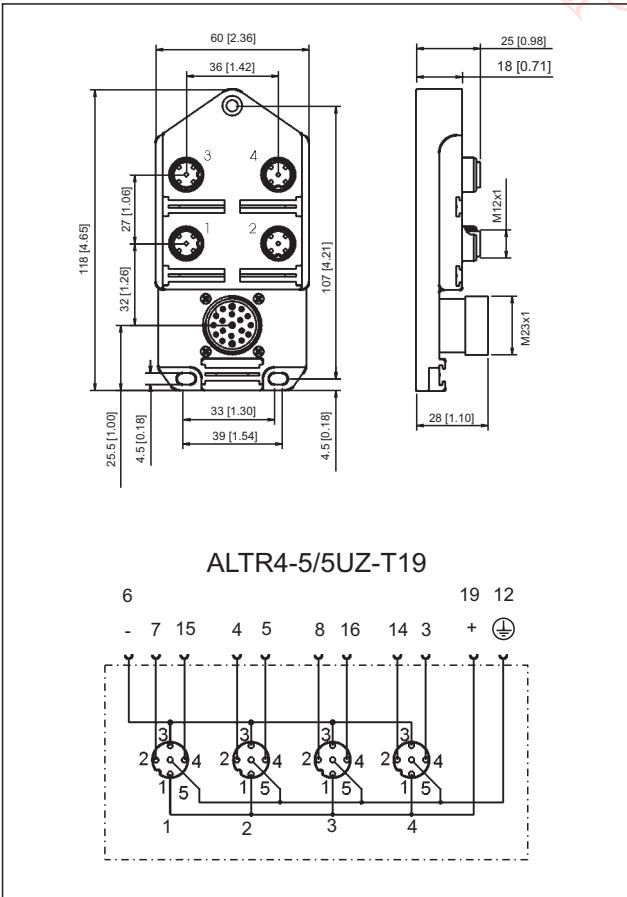
## View



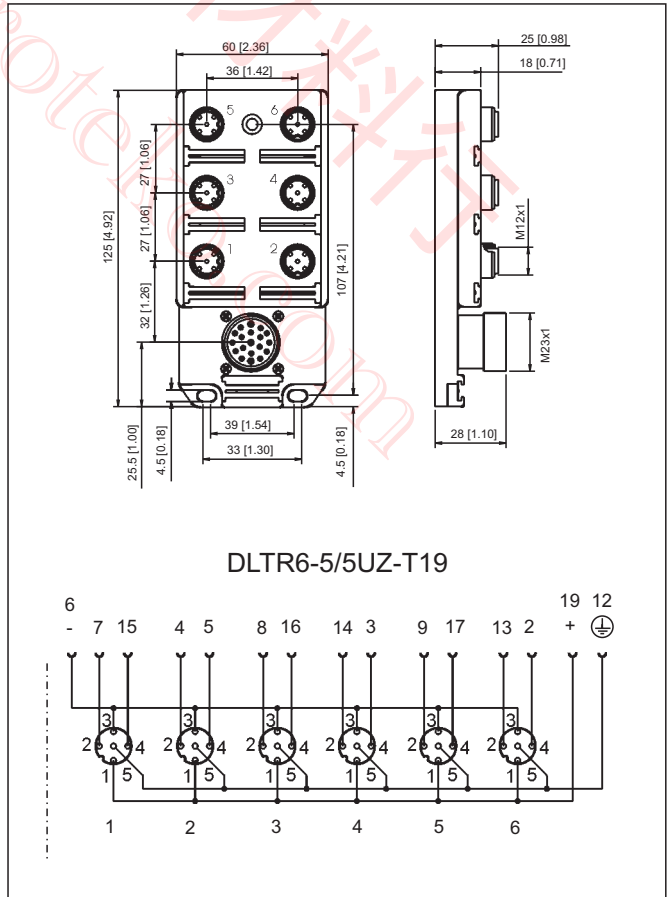
## Dimensional data



## Dimensional data



## Dimensional data



# DISTRIBUTION BOXES (DBRT-SERIES)

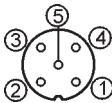
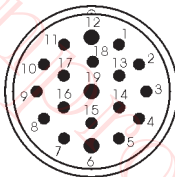

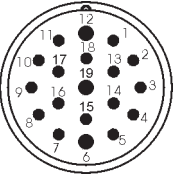
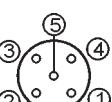
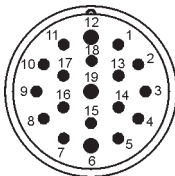
## Description

Distribution Boxes, 4-6-8 port, Quick Disconnect on Top, and poles were placed by counter-clockwise 5 poles 5 wires, earth connection, with two dust covers and ten attachable molds

## Technical Data

<b>1.Application Class:</b>	-15°C to +90°C	<b>4.Mechanical Data:</b>	
<b>2.Materials:</b>		Insertion Force	
Housing :	Nylon 6/6	(Contact):	≤ 2.0N (45LBS)
Contact:	Brass, gold over nickel plating	Withdrawal Force	
Receptacle Shell:	Brass, Nickel plated	(contact):	≥ 0.5N (11LBS)
Insert:	PUR(polyurethane), black	Protection:	IP65(only in fully locked position)
O-Ring:	Viton	Shock:	IEC-68-2-27
		Vibration:	IEC-68-2-6
<b>3.Electrical Data:</b>		<b>5. CE Conformity with Standards:</b>	
Contact Resistance:	≤ 5m Ω	EN50082-1, EN50082-2 and IEC60947-5-2	
Current Rating:	4Amps per outlet 12 Amp max per box		
Working Voltage:	60VAC/75VDC		
Insulation Resistance:	>10 <sup>9</sup> Ω		

## Order Information

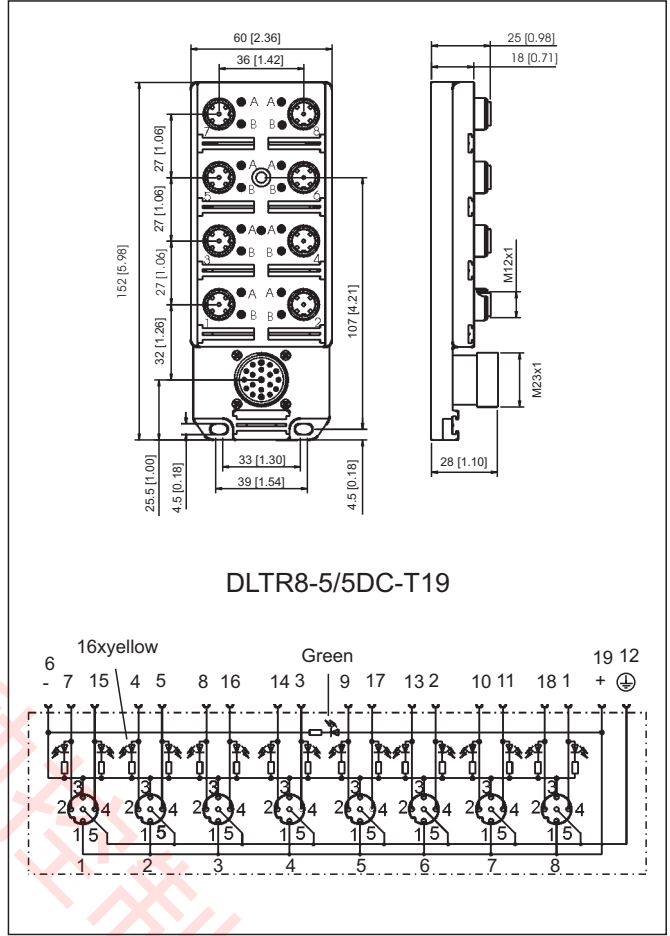
Part Number	Face View Outlets	Poles	Thread	Wiring Diagram	
				Outlet Pins	Connector Pins
ALTR4-5/5UZ-T19			M23x1	1~4/1= 1~4/3= 1/ 2= 2/ 2= 3/ 2= 4/ 2= 1/ 4= 2/ 4= 3/ 4= 4/ 4= 1~4/5=	19 (+) 6 (-) 7 4 8 14 15 5 16 3 12 (GND)
DLTR6-5/5UZ-T19			M23x1	1~6/1= 1~6/3= 1/ 2= 2/ 2= 3/ 2= 4/ 2= 5/ 2= 6/ 2= 1/ 4= 2/ 4= 3/ 4= 4/ 4= 5/ 4= 6/ 4= 1~6/5=	19 (+) 6 (-) 7 4 8 14 9 13 15 5 16 3 17 2 12 (GND)
DLTR8-5/5UZ-T19			M23x1	1~8/1= 1~8/3= 1/ 2= 2/ 2= 3/ 2= 4/ 2= 5/ 2= 6/ 2= 7/ 2= 8/ 2= 1/ 4= 2/ 4= 3/ 4= 4/ 4= 5/ 4= 6/ 4= 7/ 4= 8/ 4= 1~8/5=	19 (+) 6 (-) 7 4 8 14 9 13 10 18 15 5 16 3 17 2 11 1 12 (GND)

# DISTRIBUTION BOXES(DBRT-SERIES)

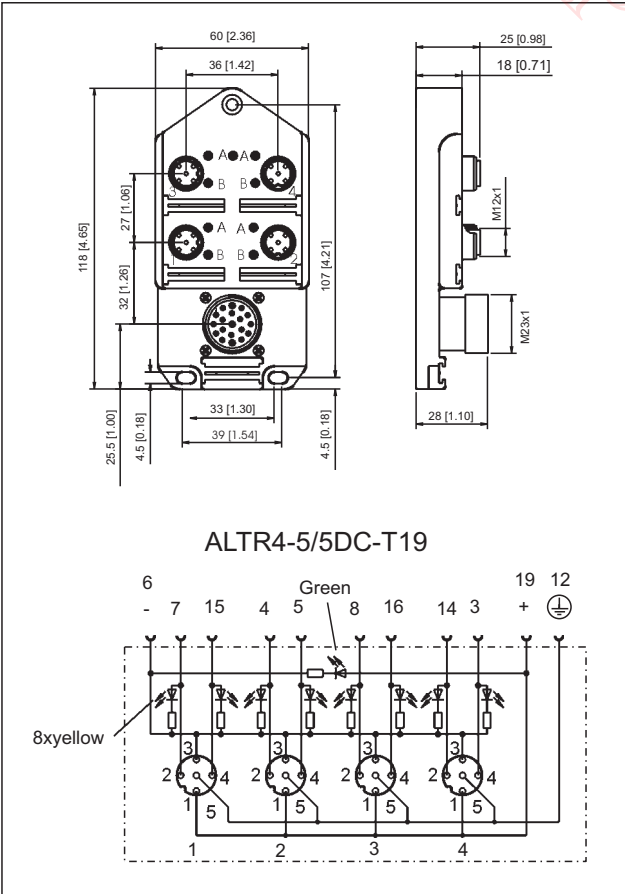
## View



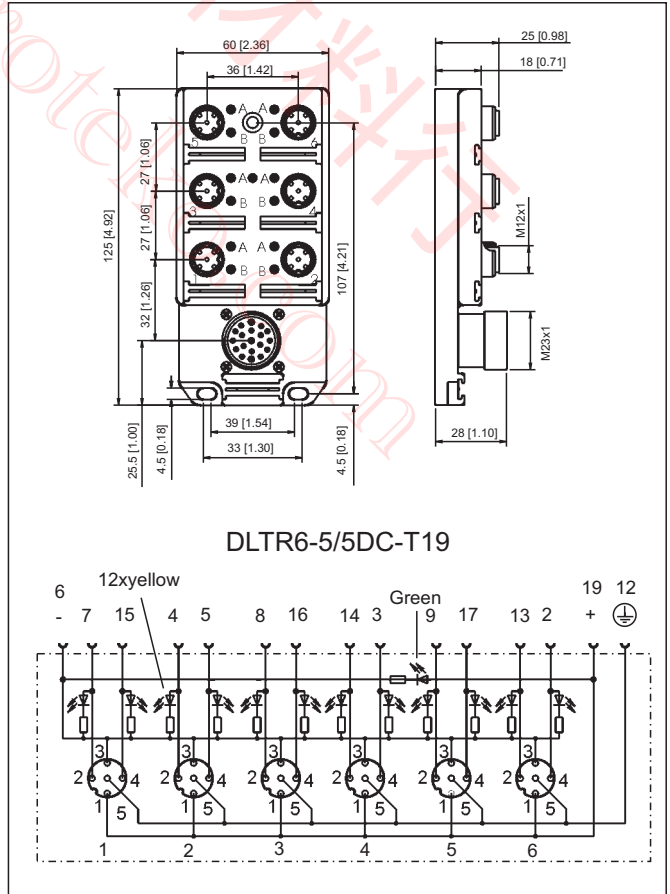
## Dimensional data



## Dimensional data



## Dimensional data



# DISTRIBUTION BOXES (DBRT-SERIES)

## Description

Distribution Boxes, 4-6-8 port, Quick Disconnect on Top, and poles were placed by counter-clockwise 5 poles 5 wires, earth connection, with two dust covers and ten attachable molds

## Technical Data

1. Application Class: -15° C to +90° C

### 2. Materials:

Housing : Nylon 6/6  
 Contact: Brass, gold over nickel plating  
 Receptacle Shell: Brass, Nickel plated  
 Insert: PUR(Polyurethane), black  
 O-Ring: Viton

### 3. Electrical Data:

Contact Resistance:  $\leq 5m \Omega$   
 Current Rating: 4Amps per outlet  
 12 Amp max per box  
 Working Voltage: 60VAC/75VDC  
 Insulation Resistance:  $>10^9 \Omega$

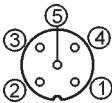
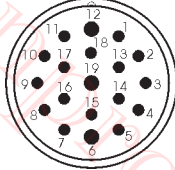

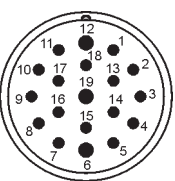

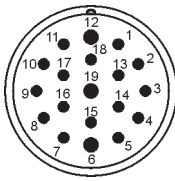
### 4. Mechanical Data:

Insertion Force (Contact):  $\leq 2.0N (.45LBS)$   
 Withdrawal Force (contact):  $\geq 0.5N (.11LBS)$   
 Protection: IP65(only in fully locked position)  
 Shock: IEC-68-2-27  
 Vibration: IEC-68-2-6

### 5. CE Conformity with Standards:

EN50082-1, EN50082-2 and IEC60947-5-2

## Order Information

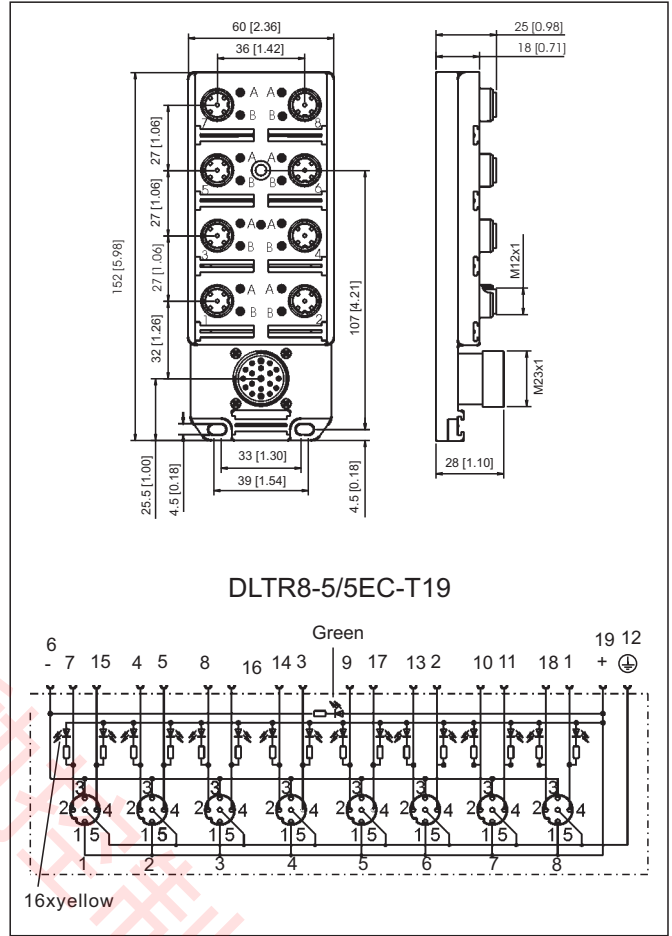
Part Number	Face View Outlets	Poles	Thread	Wiring Diagram	
				Outlet Pins	Connector Pins
ALTR4-5/5DC-T19			M23x1	1~4/1= 19 (+) 1~4/3= 6 (-) 1/ 2= 7 2/ 2= 4 3/ 2= 8 4/ 2= 14 1/ 4= 15 2/ 4= 5 3/ 4= 16 4/ 4= 3 1~4/5= 12 (GND)	
DLTR6-5/5DC-T19			M23x1	1~6/1= 19 (+) 1~6/3= 6 (-) 1/ 2= 7 2/ 2= 4 3/ 2= 8 4/ 2= 14 5/ 2= 9 6/ 2= 13 1/ 4= 15 2/ 4= 5 3/ 4= 16 4/ 4= 3 5/ 4= 17 6/ 4= 2 1~6/5= 12 (GND)	
DLTR8-5/5DC-T19			M23x1	1~8/1= 19 (+) 1~8/3= 6 (-) 1/ 2= 7 2/ 2= 4 3/ 2= 8 4/ 2= 14 5/ 2= 9 6/ 2= 13 7/ 2= 10 8/ 2= 18 1/ 4= 15 2/ 4= 5 3/ 4= 16 4/ 4= 3 5/ 4= 17 6/ 4= 2 7/ 4= 11 8/ 4= 1 1~8/5= 12 (GND)	

# DISTRIBUTION BOXES(DBRT-SERIES)

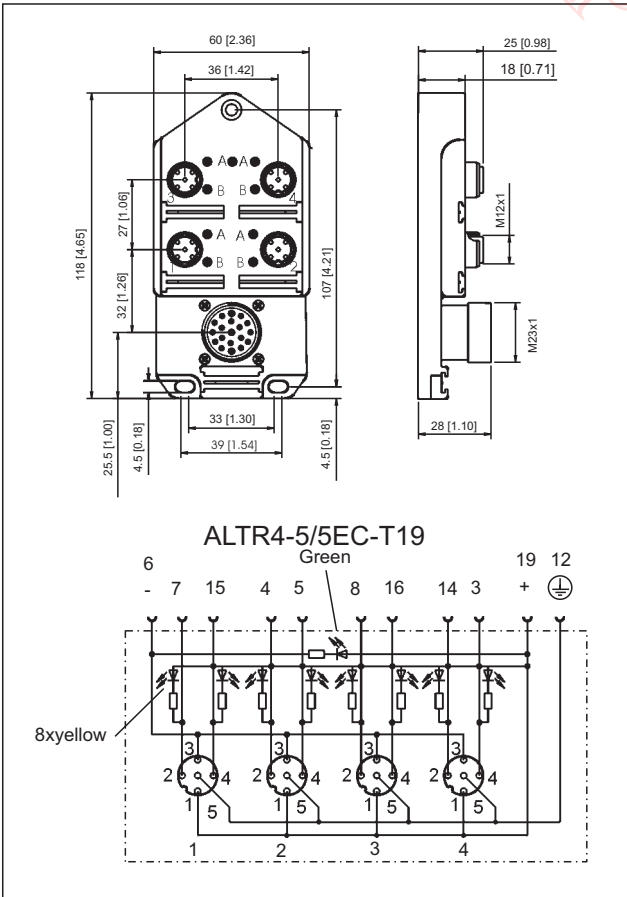
## View



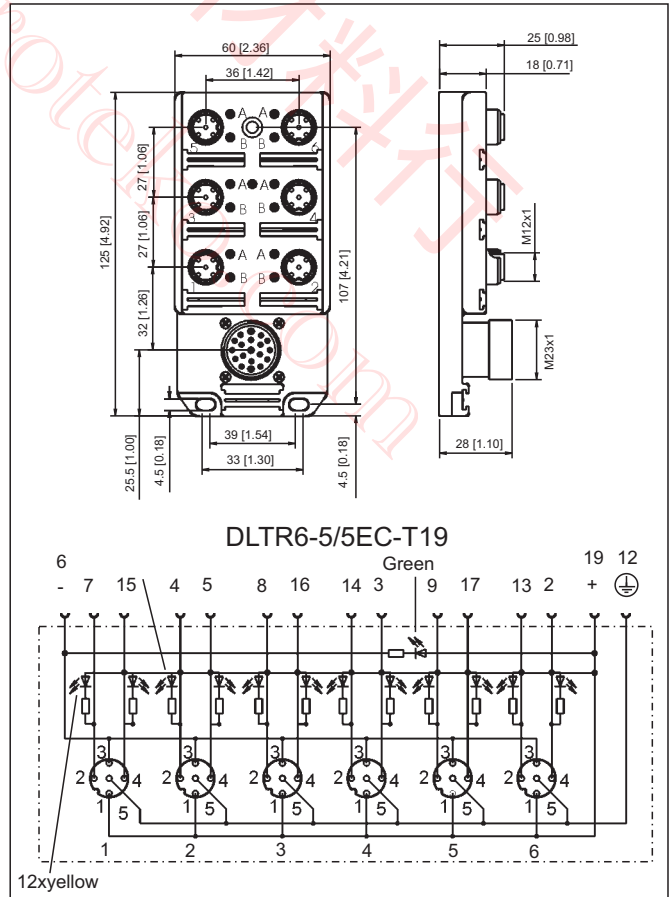
## Dimensional data



## Dimensional data



## Dimensional data



# DISTRIBUTION BOXES (DBRT-SERIES)

## Description

Distribution Boxes, 4-6-8 port, Quick Disconnect on Top, and poles were placed by counter-clockwise 5 poles 5 wires, earth connection, with two dust covers and ten attachable molds

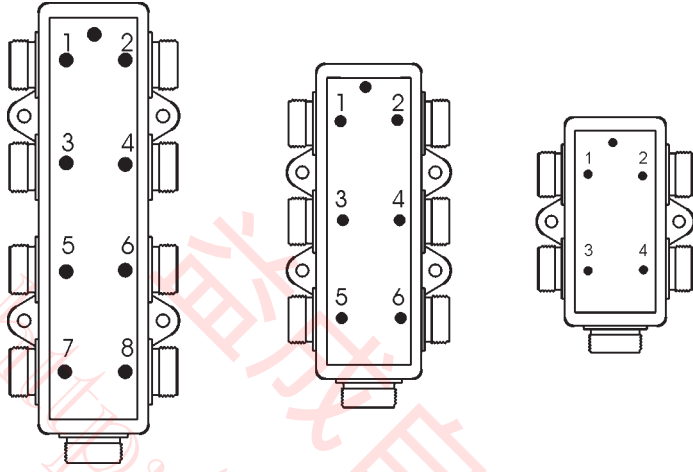
## Technical Data

<p><b>1.Application Class:</b> -15°C to +90°C</p> <p><b>2.Materials:</b>                  Housing : Nylon 6/6                  Contact: Brass, gold over nickel plating                  Receptacle Shell: Brass, Nickel plated                  Insert: PUR(Polyurethane), black                  O-Ring: Viton</p> <p><b>3.Electrical Data:</b>                  Contact Resistance: <math>\leq 5m \Omega</math>                  Current Rating: 4Amps per outlet                  12 Amp max per box                  Working Voltage: 60VAC/75VDC                  Insulation Resistance: <math>&gt;10^9 \Omega</math></p>	<p><b>4.Mechanical Data:</b>                  Insertion Force (Contact): <math>\leq 2.0N (.45LBS)</math>                  Withdrawal Force (contact): <math>\geq 0.5N (.11LBS)</math>                  Protection: IP65(only in fully locked position)                  Shock: IEC-68-2-27                  Vibration: IEC-68-2-6</p> <p><b>5. CE Conformity with Standards:</b>                  EN50082-1, EN50082-2 and IEC60947-5-2</p>
---	---

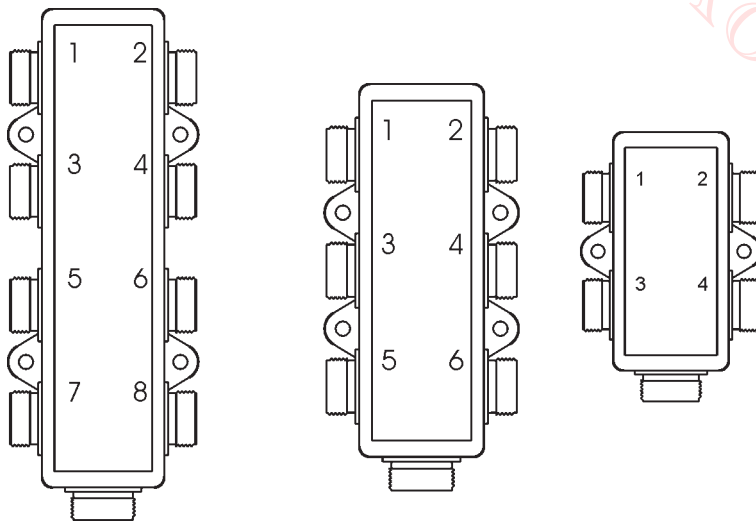
## Order Information

Part Number	Face View Outlets	Poles	Thread	Wiring Diagram	
				Outlet Pins	Connector Pins
ALTR4-5/5EC-T19			M23x1	1~4/1= 19 (+) 1~4/3= 6 (-) 1/2= 7 2/2= 4 3/2= 8 4/2= 14 1/4= 15 2/4= 5 3/4= 16 4/4= 3 1~4/5= 12 (GND)	
DLTR6-5/5EC-T19			M23x1	1~6/1= 19 (+) 1~6/3= 6 (-) 1/2= 7 2/2= 4 3/2= 8 4/2= 14 5/2= 9 6/2= 13 1/4= 15 2/4= 5 3/4= 16 4/4= 3 5/4= 17 6/4= 2 1~6/5= 12 (GND)	
DLTR8-5/5EC-T19			M23x1	1~8/1= 19 (+) 1~8/3= 6 (-) 1/2= 7 2/2= 4 3/2= 8 4/2= 14 5/2= 9 6/2= 13 7/2= 10 8/2= 18 1/4= 15 2/4= 5 3/4= 16 4/4= 3 5/4= 17 6/4= 2 7/4= 11 8/4= 1 1~8/5= 12 (GND)	

# DISTRIBUTION BOXES **DBZS SERIES** INDEX



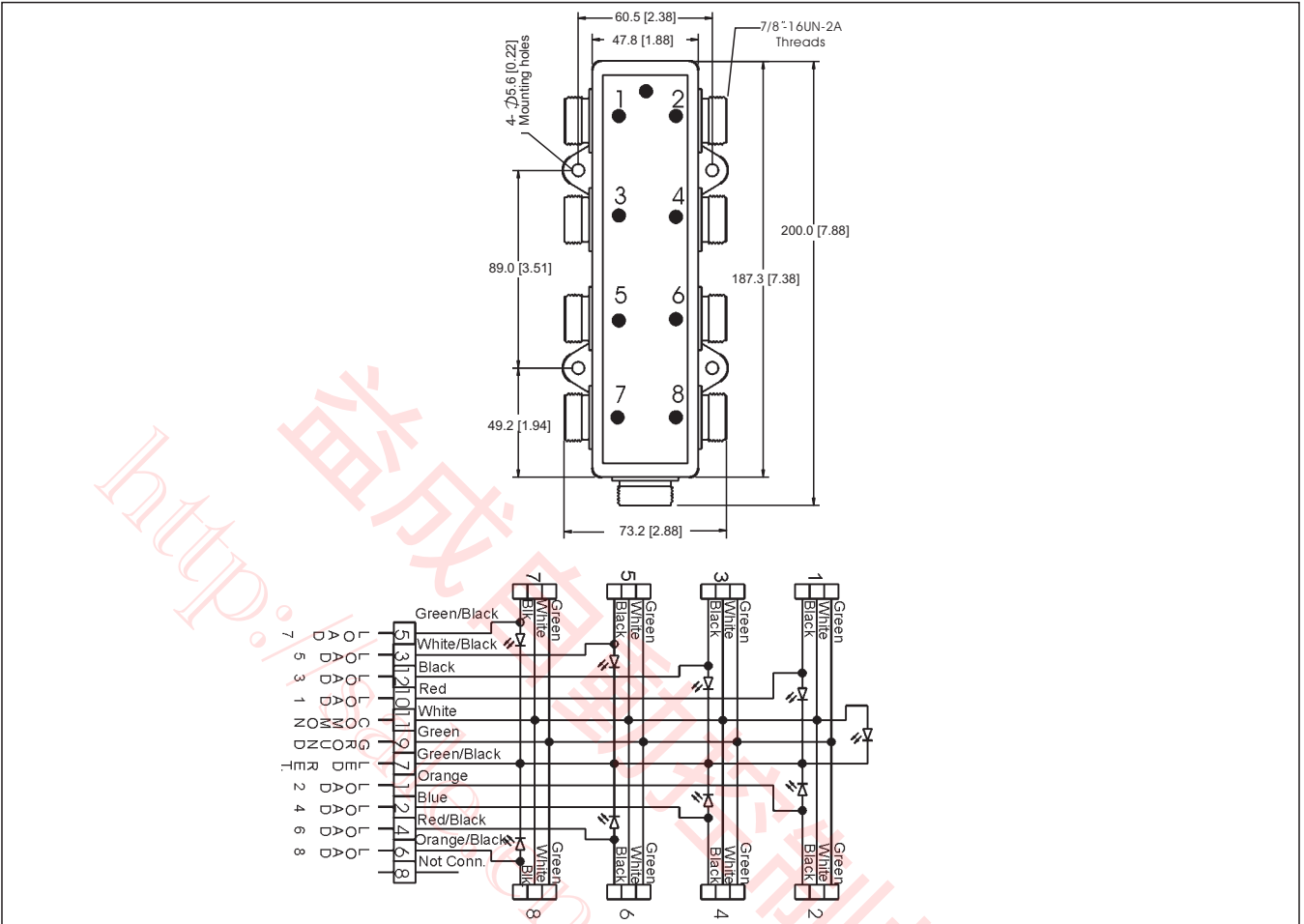
Page H70



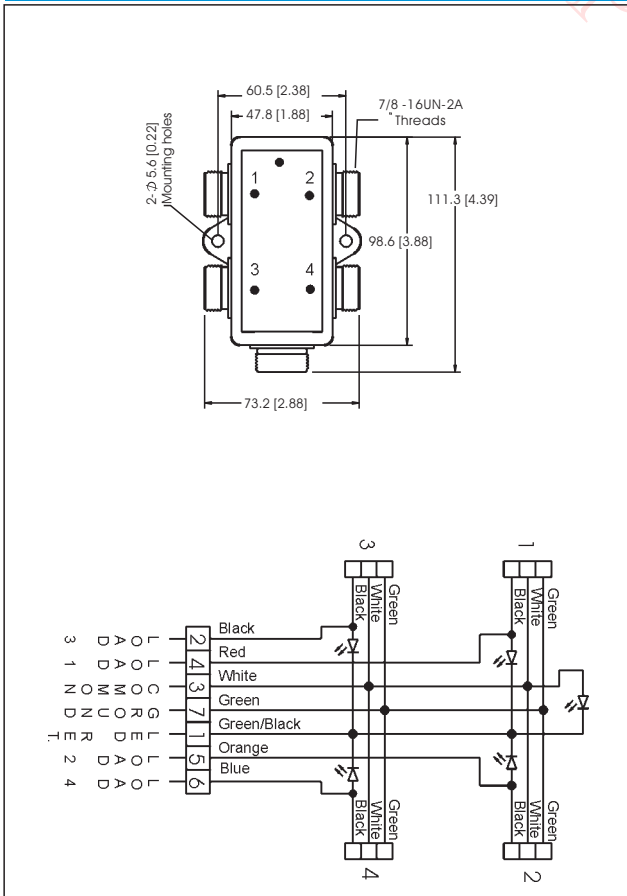
Page H72

# DISTRIBUTION BOXES(DBZS-SERIES)

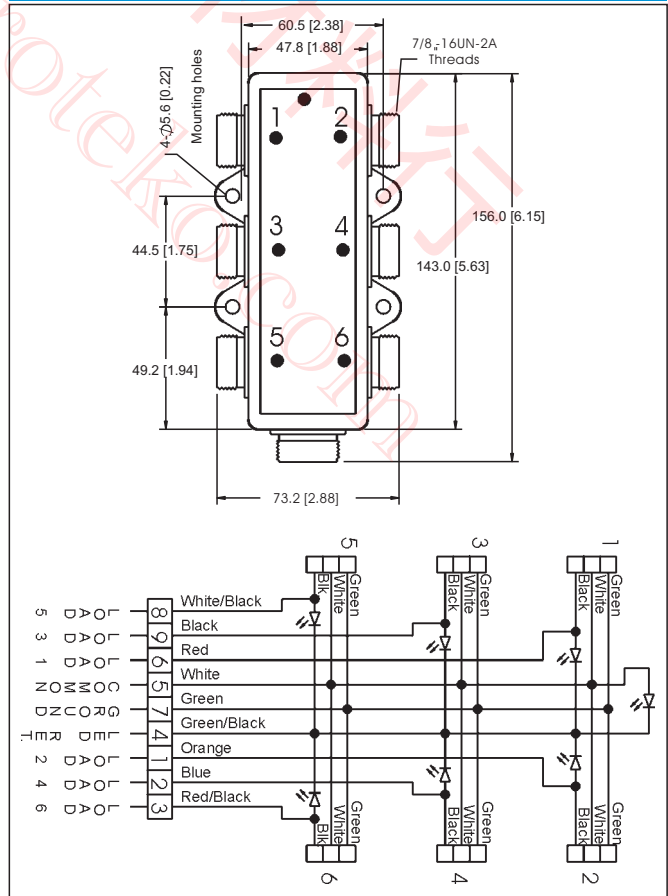
## Dimensional data



## Dimensional data



## Dimensional data





# DISTRIBUTION BOXES (DBZS-SERIES)

## Description

Distribution Boxes, 4-6-8 port, Quick Disconnect Beside  
5 poles 3 wires, with built-in LED, with two dust covers and ten attachable molds

## Technical Data

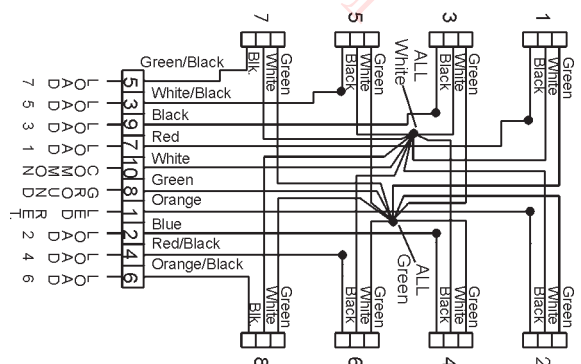
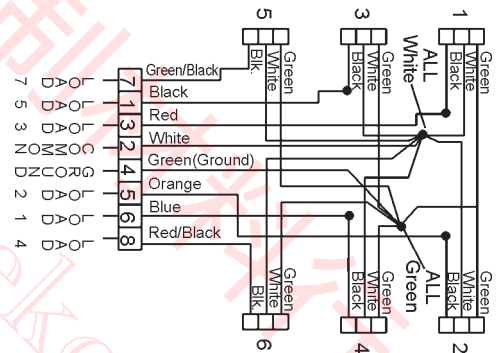
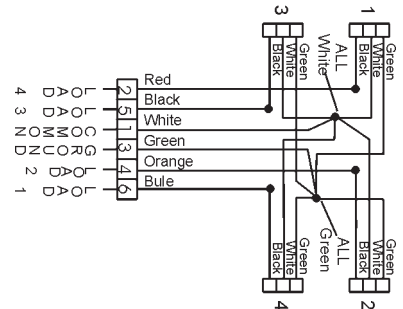
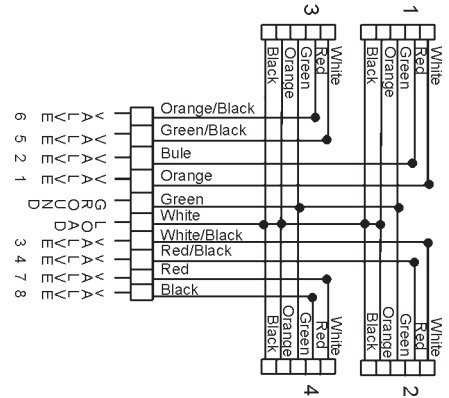
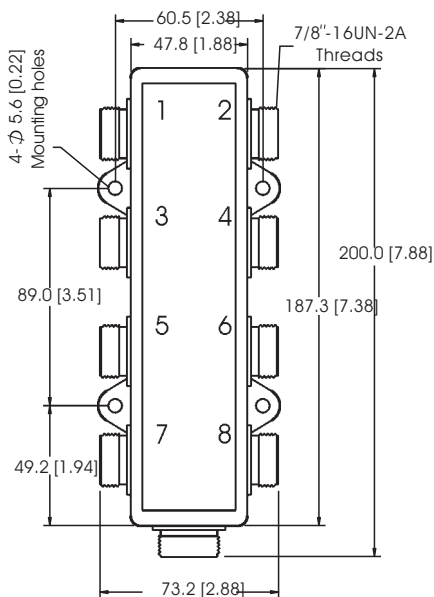
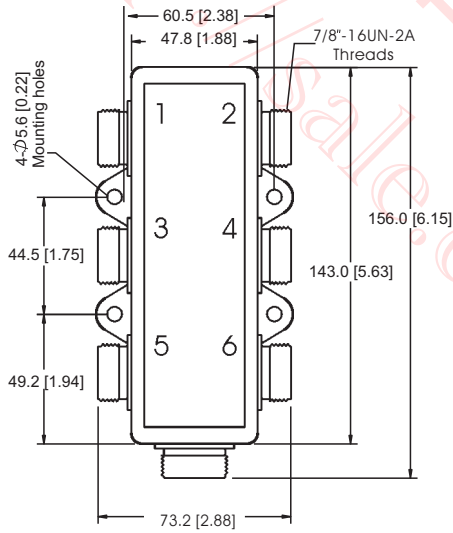
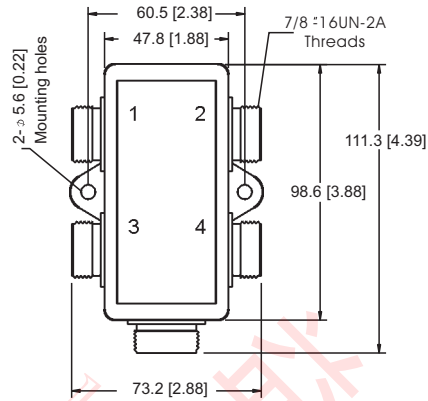
<p><b>1. Application Class:</b> -15°C to +90°C</p> <p><b>2. Materials:</b>                  Housing: Nylon 6/6                  Contact: Brass, gold over nickel plating                  Receptacle Shell: Anodized aluminum                  Insert: PUR (polyurethane), black                  O-Ring: Viton</p> <p><b>3. Electrical Data:</b>                  Contact Resistance: <math>\leq 5m\ \Omega</math>                  Current Rating: 4 ports=6A                  6.8 ports=7A                  Working Voltage: 120VAC                  Insulation Resistance: <math>&gt;10^9\ \Omega</math>                  Current Limiting Resistor: 3.3K <math>\Omega</math></p>	<p><b>4. Mechanical Data:</b>                  Insertion Force (contact) <math>\leq 2.0N (.45LBS)</math>                  Withdrawal Force (contact) <math>\geq 0.5N (.11LBS)</math>                  Protection: IP68, NEMA 6P (only in fully locked position)                  Shock: IEC-68-2-27                  Vibration: IEC-68-2-6</p> <p><b>5. CE Conformity with Standards:</b>                  EN50082-1, EN50082-2 and IEC60947-5-2</p>
---	--

## Order Information

Part Number	Face View of Female Plug	Face View of Male Plug		Wiring Diagram	
		poles	D-UN-2A threads	Outlet	On Board Connector
DSSZ4-3/3AA-F7		7	1"-16	GND: 7=Green COMMON: 3=White LED: 1=Green/Black	Load: 2=Black 4=Red 5=Orange 6=Blue
DSSZ6-3/3AA-F9		9	11/8"-16	GND: 7=Green COMMON: 5=White LED: 4=Green/Black	Load: 1=Orange 2=Blue 3=Red/black 6=Red 8=White/black 9=Black
DSSZ8-3/3AA-F12		12	11/8"-16	GND: 9=Green COMMON: 11=White LED: 7=Green/Black	Load: 1=Orange 2=Blue 3=White/black 4=Red/black 5=Green/black 6=Orange/black 10=Red 12=Black

# DISTRIBUTION BOXES(DBZS-SERIES)

## Dimensional data



# DISTRIBUTION BOXES (DBZS-SERIES)

## Description

Distribution Boxes,4-6-8 port, Quick Disconnect Beside  
5 poles 3 wires,with built-in LED,with two dust covers and ten attachable molds

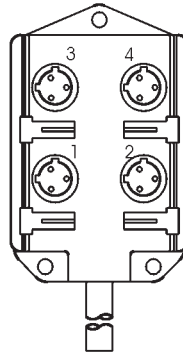
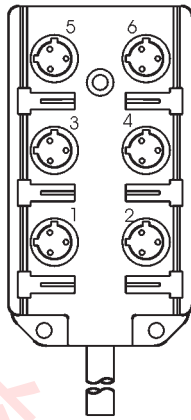
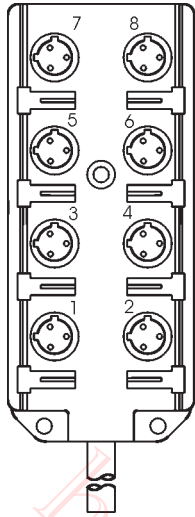
## Technical Data

<p><b>1. Application Class:</b> -15°C to +90°C</p> <p><b>2. Materials:</b>                  Housing: Nylon 6/6                  Contact: Brass, gold over nickel plating                  Receptacle Shell: Anodized aluminum                  Insert: PUR(Polyurethane), black                  O-Ring: Viton</p> <p><b>3. Electrical Data:</b>                  Contact Resistance: <math>\leq 5m\Omega</math>                  Current Rating: 4 ports=6A                                    6.8ports=7A                  Working Voltage: 120VAC                  Insulation Resistance: <math>&gt;10^9\Omega</math>                  Current Limiting Resistor: 3.3K<math>\Omega</math></p>	<p><b>4. Mechanical Data:</b>                  Insertion Force (contact) <math>\leq 2.0N (.45LBS)</math>                  Withdrawal Force (contact) <math>\geq 0.5N (.11LBS)</math>                  Protection: IP68, NEMA 6P (only in fully locked position)                  Shock: IEC-68-2-27                  Vibration: IEC-68-2-6</p> <p><b>5. CE Conformity with Standards:</b>                  EN50082-1, EN50082-2 and IEC60947-5-2</p>
--	--

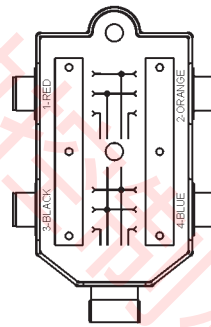
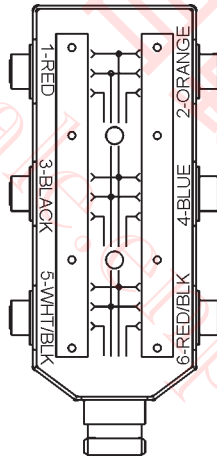
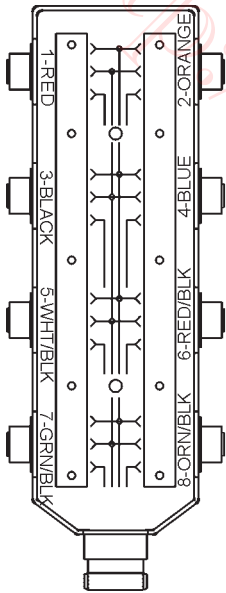
## Order Information

Part Number	Face View of Female Plug	Face View of Male Plug		Wiring Diagram	
		poles	D-UN-2A threads	Outlet	On Board Connector
DSSZ4-3/3AZ-F6		6	 7/8"-16	GND: 3=Green COMMON: 1=White	Load: 2=Red 4=Orange 5=Black 6=Blue
DSSZ4-5/5AZ-F10		10	 11/8"-16	GND: 8=Green COMMON: 10=White	Load: Valve 6 Valve 5 Valve 2 Valve 1 Valve 3 Valve 4 Valve 7 Valve 8
DSSZ6-3/3AZ-F8		8	 1"-16	GND: 4=Green COMMON: 2=White	Load: 1=Black 3=Red 5=Orange 6=Blue 7=White/Black 8=Red/Black
DSSZ8-3/3AZ-F10		10	 11/8"-16	GND: 8=Green COMMON: 10=White	Load: 1=Orange 2=Blue 3=White/Black 4=Red/Black 5=Green/Black 6=Orange/Black 7=Red 9=Black

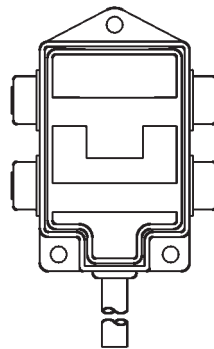
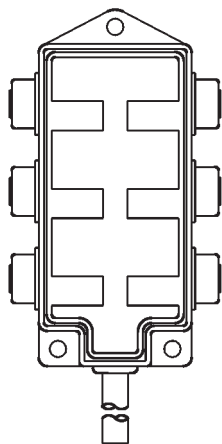
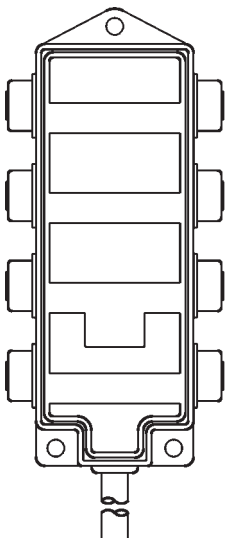
# DISTRIBUTION BOXES **DBU SERIES/DBUS SERIES** INDEX



Page H84



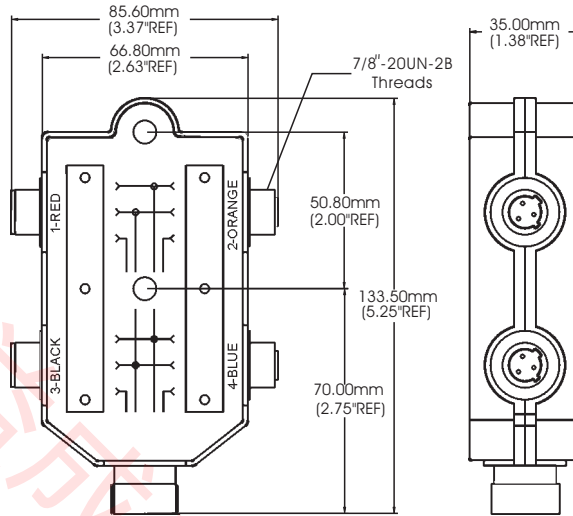
Page H76/page H78  
page H80



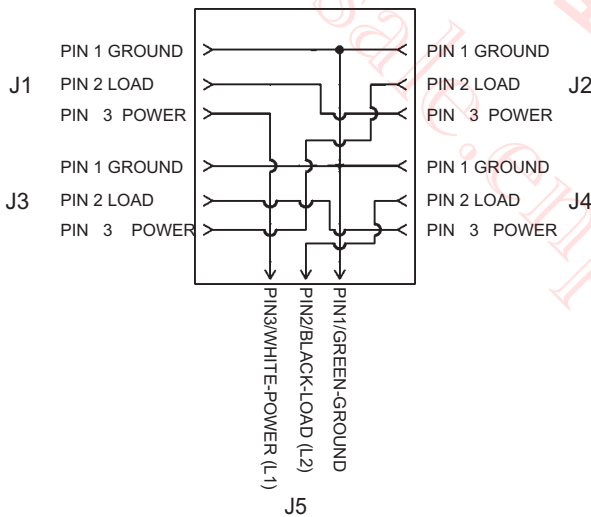
Page H82

# DISTRIBUTION BOXES(DBUS-SERIES)

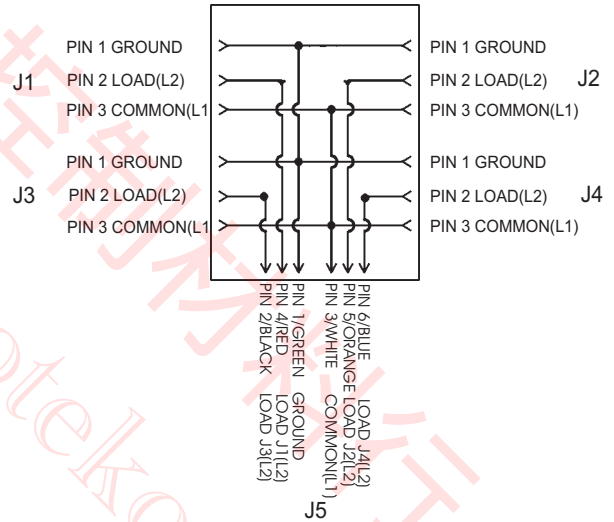
## Dimensional data



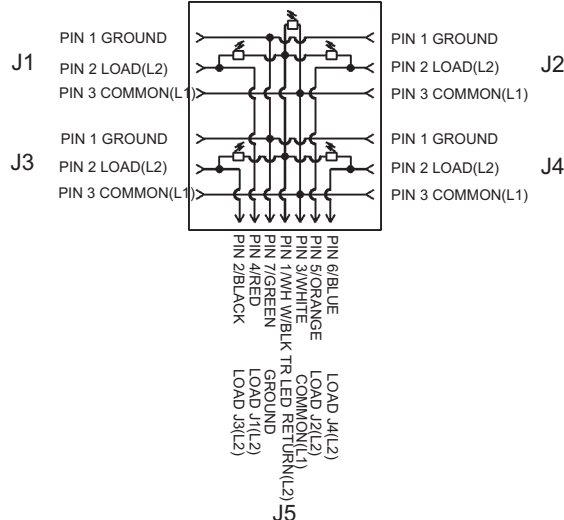
### Schematic-Series



### Schematic-Parallel



### Schematic-LED



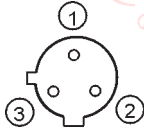
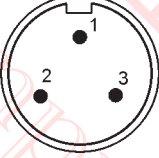
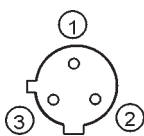
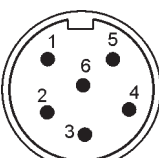
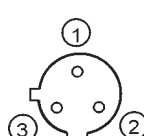
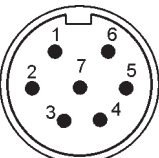
# DISTRIBUTION BOXES (DBUS-SERIES)

## Description

Distribution Boxes,4-6-8 port, Quick Disconnect Beside  
3 poles 3 wires,AC Dual Key,with two dust covers and ten attachable molds

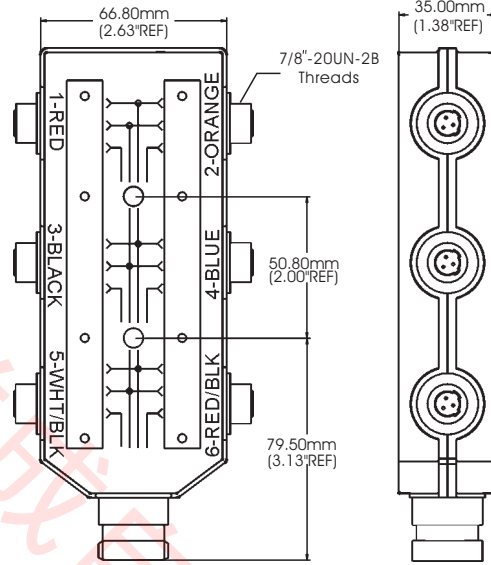
## Technical Data

<b>1.Application Class:</b>	-15°C to +90°C	<b>4.Mechanical Data:</b>	
<b>2.Materials:</b>		Insertion Force (contact):	≤ 2.0N (.45LBS)
Housing:	Nylon 6/6	Withdrawal Force (contact):	≥ 0.5N (.11LBS)
Contact:	Brass,gold over nickel plating	Protection:	IP68,NEMA 6P(only in fully locked position)
Receptacle Shell:	Brass,nickel plated	Shock:	IEC-68-2-27
Insert:	PUR(Polyurethane),black	Vibration:	IEC-68-2-6
O-Ring:	Viton		
<b>3.Electrical Data:</b>		<b>5. CE Conformity with Standards:</b>	
Contact Resistance:	≤ 5m Ω	EN50082-1, EN50082-2 and IEC60947-5-2	
Current Rating	4 Ports=6A		
Working Voltage:	250VAC		
Insulation Resistance:	>10 <sup>9</sup> Ω		

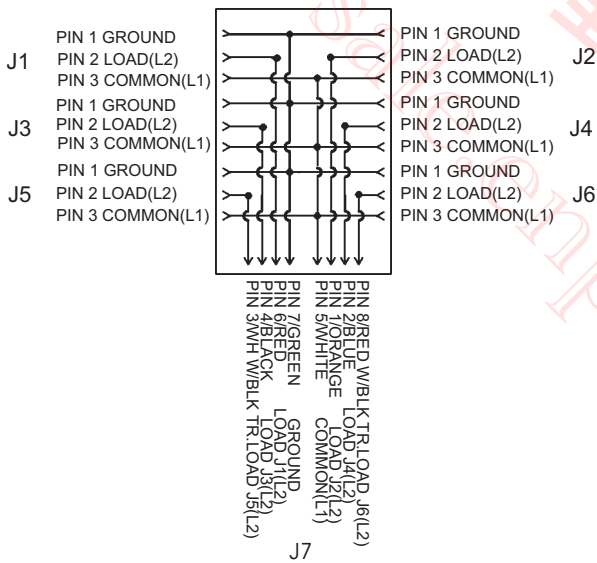
Part Number	Face View of Female Plug	Face View of Male Plug		Wiring Diagram	
		poles	D-UN-2A threads	Outlet	On Board Connector
ASSU4-3/3AZ-F3	3 	3	7/8"-16 	GND: PIN 1=Green Power: PIN 3=White Load: PIN 2=Black	
ASSU4-3/3AZ-F6	3 	6	7/8"-16 	GND: PIN 1=Green COMMON: PIN 3=White Load: PIN 2=Black PIN 4= Red PIN 5=Orange PIN 6=Blue	
ASSU4-3/3AA-F7	3 	7	1"-16 	GND: PIN 7=Green COMMON: PIN 3=White LED: PIN 1=WH W/BLK TR Load: PIN 2=Black PIN 4= Red PIN 5=Orange PIN 6=Blue	

# DISTRIBUTION BOXES(DBUS-SERIES)

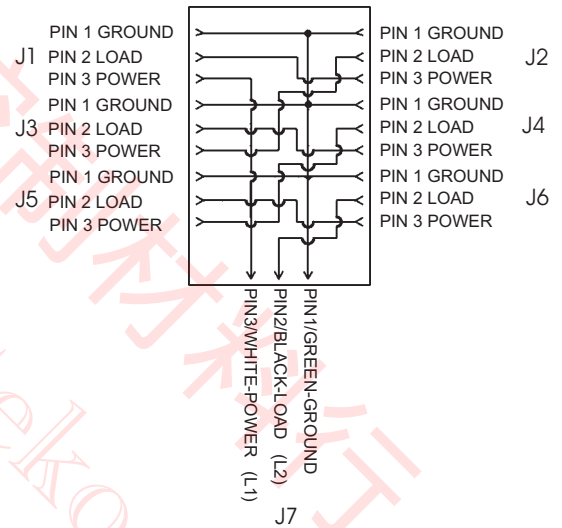
## Dimensional data



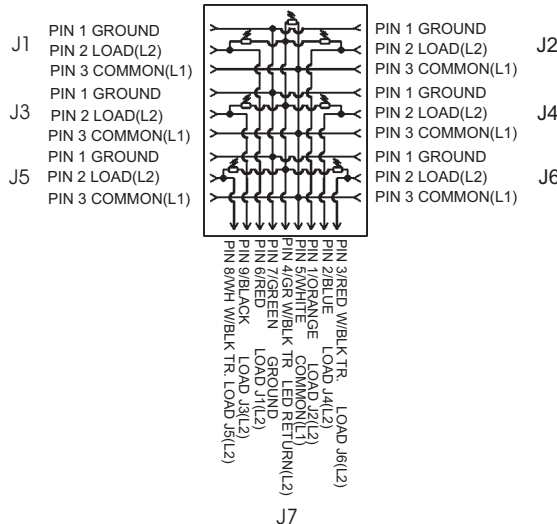
### Schematic-Parallel



### Schematic-Series



### Schematic-LED



# DISTRIBUTION BOXES (DBUS-SERIES)

## Description

Distribution Boxes,4-6-8 port, Quick Disconnect Beside  
3 poles 3 wires,AC Dual Key,with two dust covers and ten attachable molds

## Technical Data

1.Application Class: -15°C to +90°C

### 2.Materials:

Housing: Nylon 6/6  
Contact: Brass,gold over nickel plating  
Receptacle Shell: Brass,nickel plated  
Insert: PUR(Polyurethane),black  
O-Ring: Viton

### 3.Electrical Data:

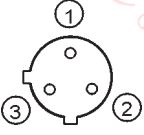

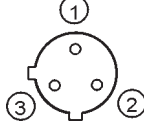
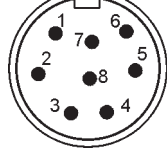
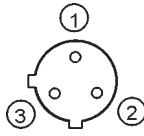
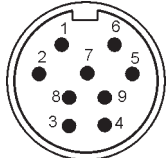
Contact Resistance:  $\leq 5m \Omega$   
Current Rating: 6 ports=7A  
Working Voltage: 250VAC  
Insulation Resistance:  $>10^9 \Omega$

### 4.Mechanical Data:

Insertion Force (contact):  $\leq 2.0N (.45LBS)$   
Withdrawal Force (contact):  $\geq 0.5N (.11LBS)$   
Protection: IP68,NEMA 6P(only in fully locked position)  
Shock: IEC-68-2-27  
Vibration: IEC-68-2-6

### 5. CE Conformity with Standards:

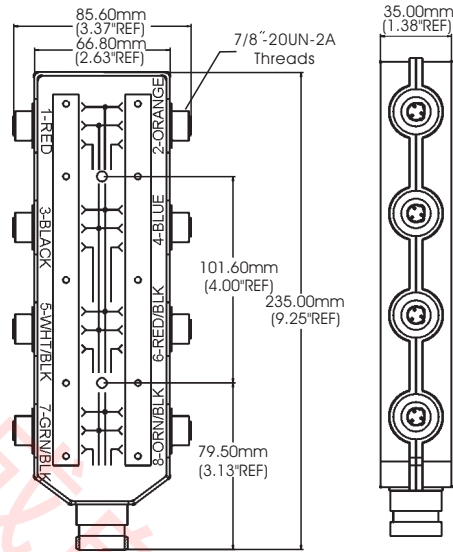
EN50082-1, EN50082-2 and IEC60947-5-2

Part Number	Face View of Female Plug	Face View of Male Plug		Wiring Diagram	
		poles	D-UN-2A threads	Outlet	On Board Connector
ASSU6-3/3AZ-F3	3 	3	7/8"-16 	GND: PIN 1=Green Power: PIN 3=White Load: PIN 2=Black	
ASSU6-3/3AZ-F8	3 	8	1"-16 	GND: PIN 7=Green COMMON: PIN 5=White Load: PIN 6=Red PIN 1=Orange PIN 4=Black PIN 2=Blue PIN 8=Red/black TR PIN 3=Red w/black TR	
ASSU6-3/3AA-F9	3 	9	11/8"-16 	GND: PIN 7=Green COMMON: PIN 5=White GND: PIN 4=Green W/BLK TR Load: PIN 6=Red PIN 1=Orange PIN 9=Black PIN 2=Blue PIN 8=White w/black TR PIN 3=Red w/black TR	

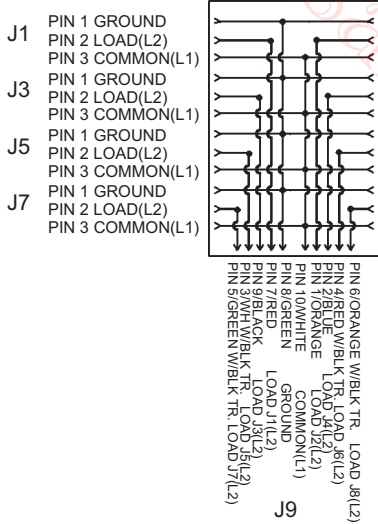


# DISTRIBUTION BOXES(DBUS-SERIES)

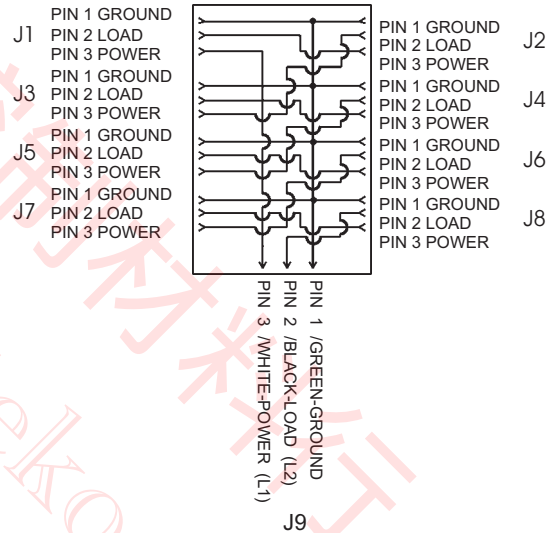
## Dimensional data



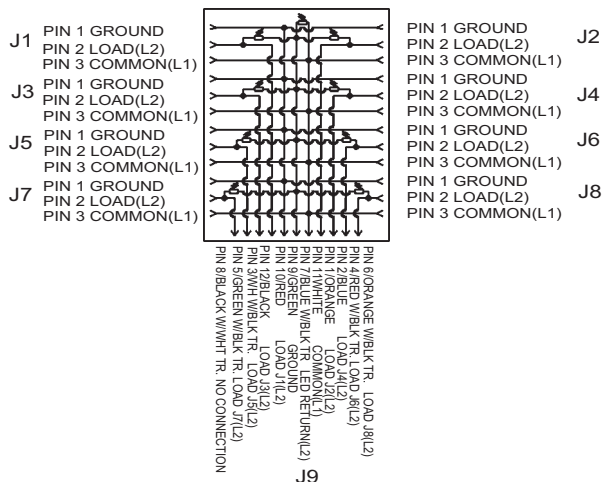
### Schematic-Parallel



### Schematic-Series



### Schematic-LED



# DISTRIBUTION BOXES (DBUS-SERIES)

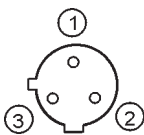

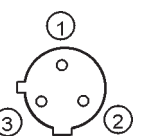
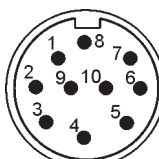
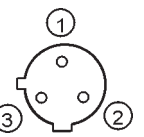
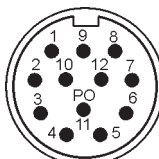
## Description

Distribution Boxes,4-6-8 port, Quick Disconnect Beside  
3 poles 3 wires,AC Dual Key,with two dust covers and ten attachable molds

## Technical Data

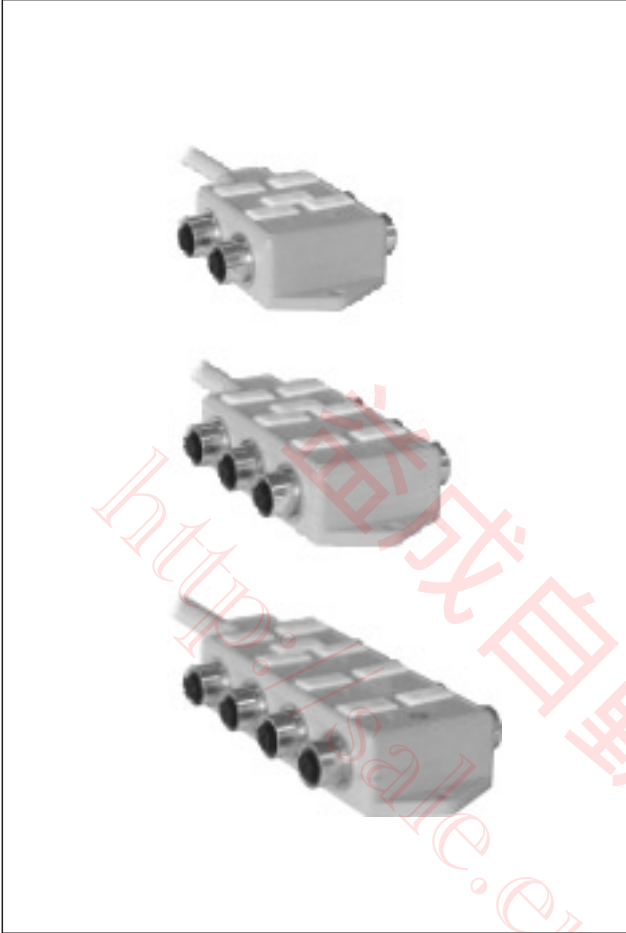
<b>1.Application Class:</b>	-15°C to +90°C	<b>4.Mechanical Data:</b>	
<b>2.Materials:</b>		Insertion Force	
Housing:	Nylon 6/6	(contact):	≤ 2.0N (.45LBS)
Contact:	Brass,gold over nickel plating	Withdrawal Force	
Receptacle Shell:	Brass,nickel plated	(contact):	>0.5N (.11LBS)
Insert:	PUR(Polyurethane),black	Protection:	IP68,NEMA 6P(only in fully locked position)
O-Ring:	Viton	Shock:	IEC-68-2-27
<b>3.Electrical Data:</b>		Vibration:	IEC-68-2-6
Contact Resistance:	≤ 5m Ω	<b>5. CE Conformity with Standards:</b>	
Current Rating	8 ports=7A	EN50082-1, EN50082-2 and IEC60947-5-2	
Working Voltage:	250VAC		
Insulation Resistance:	>10 <sup>9</sup> Ω		

## Order Information

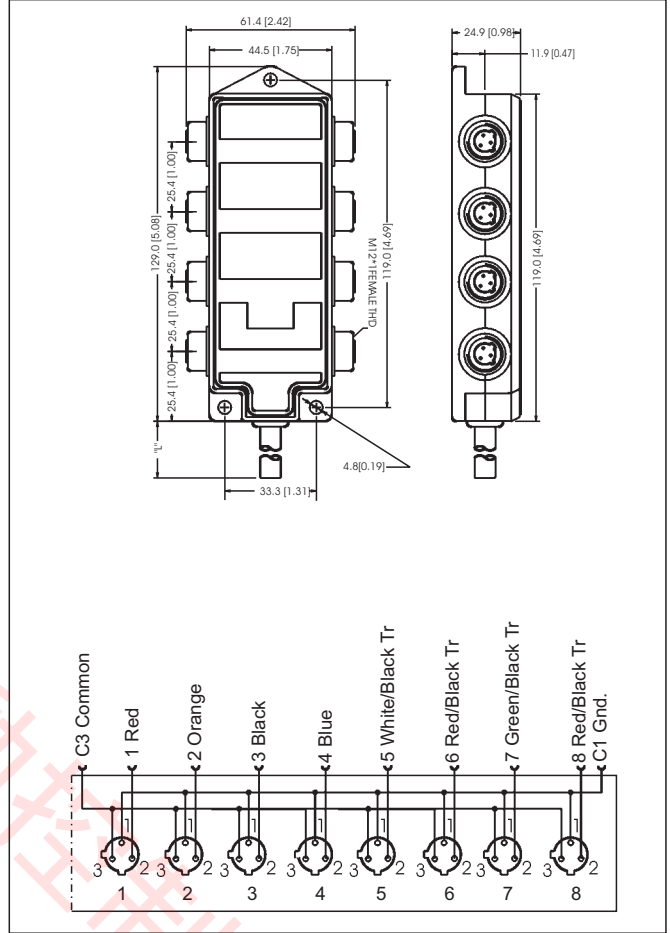
Part Number	Face View of Female Plug	Face View of Male Plug		Wiring Diagram	
		poles	D-UN-2A threads	Outlet	On Board Connector
ASSU8-3/3AZ-F3	3 	3	7/8"-16 	GND: PIN 1=Green Power: PIN 3=White Load: PIN 2=Black	
ASSU8-3/3AZ-F10	3 	10	11/8"-16 	GND: PIN 9=Green COMMON: PIN 10=White Load: PIN 1=Orange PIN 2=Blue PIN 3=White/Black Tr PIN 4=Red/Black PIN 5=Green/Black Tr PIN 6=Orange/Black Tr PIN 7=Red PIN 9=Black	
ASSU8-3/3AA-F12	3 	12	11/8"-16 	GND: PIN 9=Green COMMON: PIN 11=White LED: PIN 7=Blue w/blk Load: PIN 10=Red PIN 1=Orange PIN 12= Black PIN 2=Blue PIN 3=White/Black Tr PIN 4=Red/Black Tr PIN 6=Orange/Black Tr PIN 5=Green/Black Tr	

# DISTRIBUTION BOXES(DBUS-SERIES)

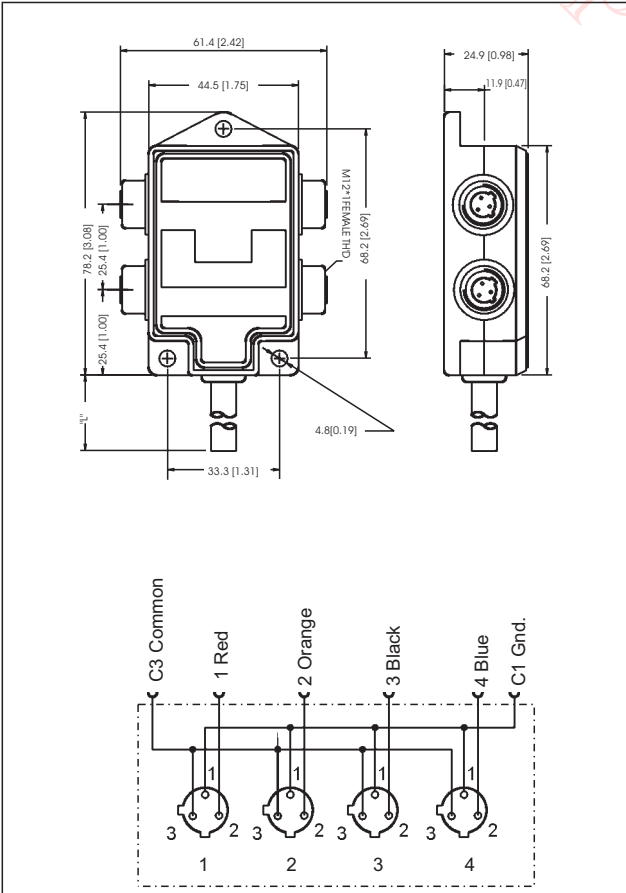
## View



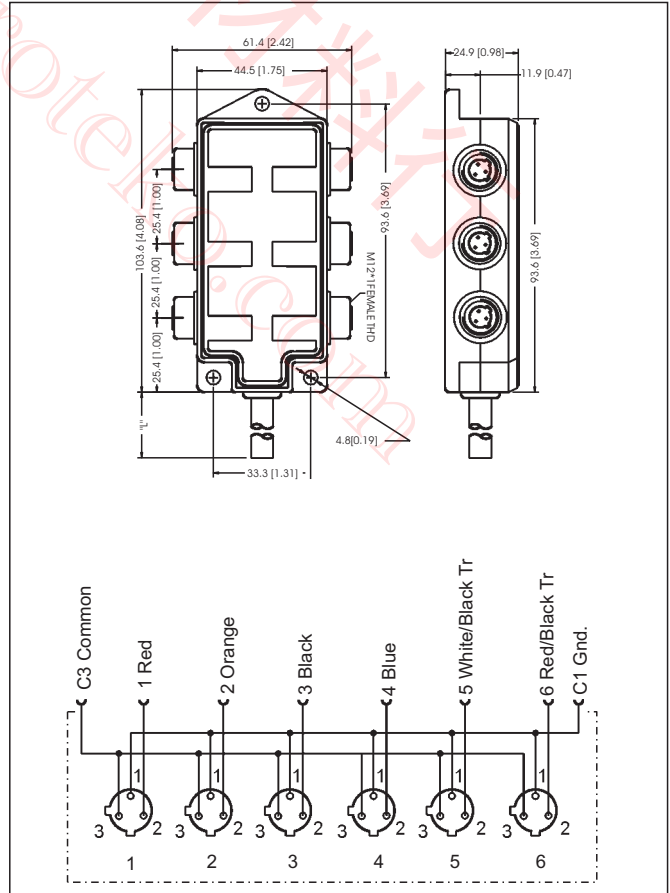
## Dimensional data



## Dimensional data



## Dimensional data



# DISTRIBUTION BOXES (DBU-SERIES)

## Description

Distribution Boxes,4-6-8 port-Cable Version

3 poles 3 wires,AC Dual Key,with two dust covers and ten attachable molds

## Technical Data

1.Application Class: -15°C to +90°C

### 2.Materials:

Housing: Nylon 6/6  
 Contact: Brass,gold over nickel plating  
 Receptacle Shell: Brass,nickel plated  
 Insert: PUR(Polyurethane),black  
 O-Ring: Viton

### 3.Electrical Data:

Contact Resistance:  $\leq 5m\Omega$   
 Current Rating: 4Amps per outlet  
 12 Amp max per box  
 Working Voltage: 250VAC  
 Insulation Resistance:  $>10^9 \Omega$

### 4.Mechanical Data:

Insertion Force (contact):  $\leq 2.0N (0.45LBS)$   
 Withdrawal Force (contact):  $\geq 0.5N(0.11LBS)$   
 Protection: IP68,NEMA 6P(only in fully locked position)  
 Shock: IEC-68-2-27  
 Vibration: IEC-68-2-6

### 5. CE Conformity with Standards:

EN50082-1, EN50082-2 and IEC60947-5-2

## Order Information

Part Number	Poles	Color Code	Cable Type	
			Lead(mm <sup>2</sup> )	Outer Jacket
ASSU4-3/3AZ-23XX	3	C1= (GND) C3= (Common) 2= Red (1) Orange (2) Black (3) Blue (4)	2x0.75(96x $\phi$ 0.10)  4x0.34(42x $\phi$ 0.10)	$\phi 8.4$  PUR/PVC
ASSU6-3/3AZ-24XX	3	C1= (GND) C3= (Common) 2= Red (1) Orange (2) Black (3) Blue (4) White/black Tr. (5) Red/black Tr. (6)	2x0.75(96x $\phi$ 0.10)  6x0.34(42x $\phi$ 0.10)	$\phi 9.0$  PUR/PVC
ASSU8-3/3AZ-25XX	3	C1= (GND) C3= (Common) 2= Red (1) Orange (2) Black (3) Blue (4) White/black Tr. (5) Red/black Tr. (6) Green/black Tr. (7) Orange/blace Tr. (8)	2x0.75(96x $\phi$ 0.10)  8x0.34(42x $\phi$ 0.10)	$\phi 9.0$  PUR/PVC

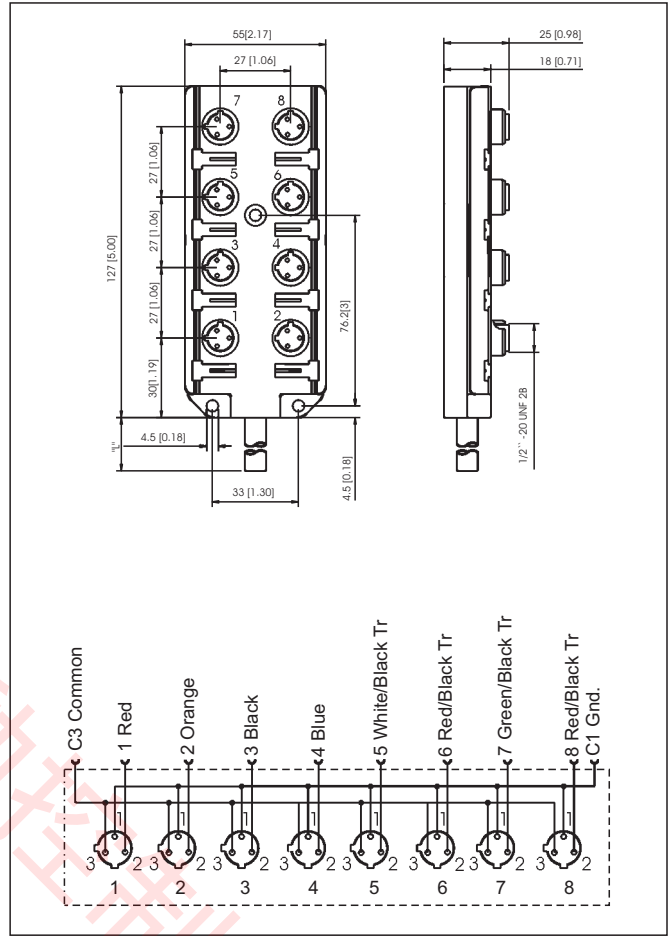
xx - Standard length :5.0m(05) and 10.0m(10). Other cable length or cable specifications on request

# DISTRIBUTION BOXES(DBU-SERIES)

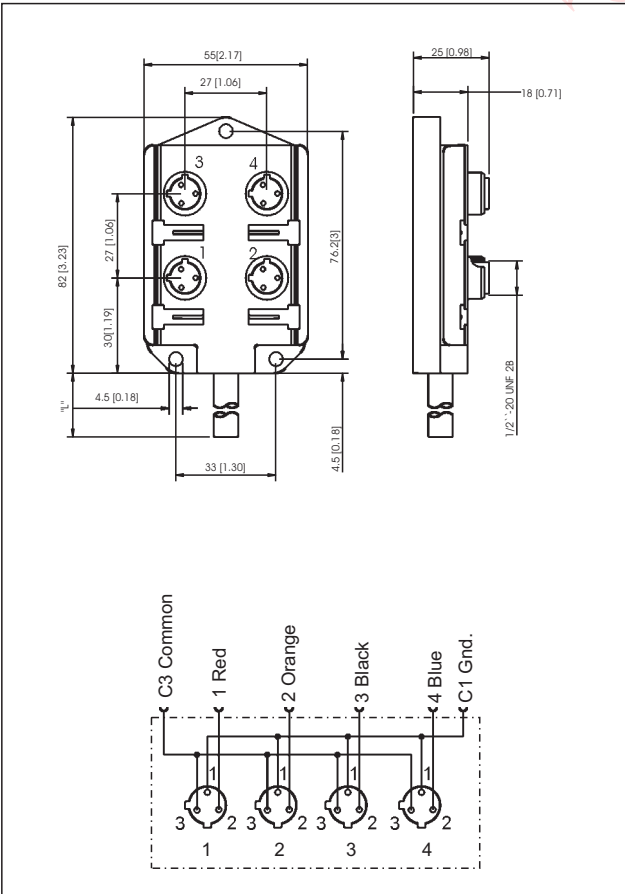
## View



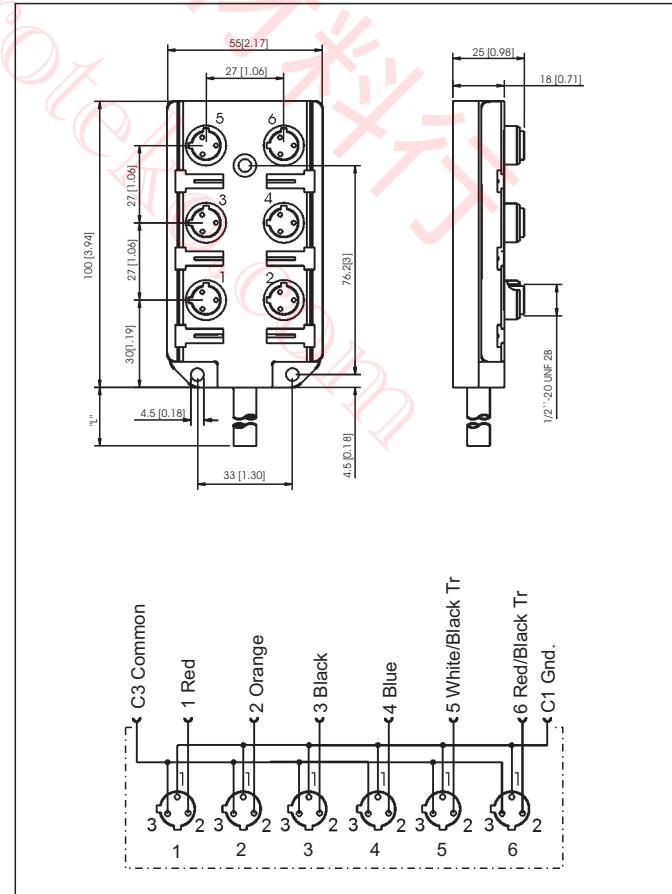
## Dimensional data



## Dimensional data



## Dimensional data



# DISTRIBUTION BOXES (DBU-SERIES)

## Description

Distribution Boxes,4-6-8 port-Cable Version

3 poles 3 wires,AC Dual Key,with two dust covers and ten attachable molds

## Technical Data

1.Application Class: -15°C to +90°C

### 2.Materials:

Housing: Nylon 6/6  
 Contact: Brass,gold over nickel plating  
 Receptacle Shell: Brass,nickel plated  
 Insert: PUR(Polyurethane),black  
 O-Ring: Viton

### 3.Electrical Data:

Contact Resistance:  $\leq 5m\Omega$   
 Current Rating: 4Amps per outlet  
 12 Amp max per box  
 Working Voltage: 250VAC  
 Insulation Resistance:  $>10^9\Omega$

### 4.Mechanical Data:

Insertion Force (contact):  $\leq 2.0N$  (0.45LBS)  
 Withdrawal Force (contact):  $\geq 0.5N$  (0.11LBS)  
 Protection: IP68,NEMA 6P(only in fully locked position)  
 Shock: IEC-68-2-27  
 Vibration: IEC-68-2-6

### 5. CE Conformity with Standards:

EN50082-1, EN50082-2 and IEC60947-5-2

## Order Information

Part Number	Poles	Color Code	Cable Type	
			Lead(mm <sup>2</sup> )	Outer Jacket
ASTU4-3/3AZ-23XX	3	C1= (GND) C3= (Common) 2= Red (1) Orange (2) Black (3) Blue (4)	2x0.75(96x $\Phi$ 0.10)  4x0.34(42x $\Phi$ 0.10)	$\Phi$ 8.4  PUR/PVC
DSTU6-3/3AZ-24XX	3	C1= (GND) C3= (Common) 2= Red (1) Orange (2) Black (3) Blue (4) White/black Tr. (5) Red/black Tr. (6)	2x0.75(96x $\Phi$ 0.10)  6x0.34(42x $\Phi$ 0.10)	$\Phi$ 9.0  PUR/PVC
DSTU8-3/3AZ-25XX	3	C1= (GND) C3= (Common) 2= Red (1) Orange (2) Black (3) Blue (4) White/black Tr. (5) Red/black Tr. (6) Green/black Tr. (7) Orange/blace Tr. (8)	2x0.75(96x $\Phi$ 0.10)  8x0.34(42x $\Phi$ 0.10)	$\Phi$ 9.0  PUR/PVC

xx - Standard length :5.0m(05) and 10.0m(10). Other cable length or cable specifications on request

# HARD-SHELL CONNECTOR

---

## HARD-SHELL CONNECTOR

H FS - 12P - 38 05  
1      2                      3                      4                      5

- 1 TYPE  
H = Hard Shell Connectors
- 2 CONNECTOR SHAPE  
MS = Straight Male Hard-shell Connectors  
MA = Right Angle Male Hard-shell Connectors  
FS = Straight Female Hard-shell Connectors  
FA = Right Angle Female Hard-shell Connectors
- 3 NUMBER OF POLES PER PORT  
12P = 12 Poles Connector  
19P = 19 Poles Connector
- 4 OUTPUT CONNECTION



# DISTRIBUTION BOXES (HARD-SHELL CONNECTORS)

**Description**  
 Hard shell Connectors for Use with  
 Distribution Boxes-On board connector

REQUIRES SPANNER FOR ASSEMBLY

Technical Data			
1.Application Class:	-25°C to +110°C	Current Rating:	7.5Amps
2.Materials:		Working Voltage:	60VAC/75VDC
Body:	CuZn,brass,nickeled	Dielectric Withstanding Voltage:	1.5 KVAC eff./60sec
Contact:	CuZn,pre-nickeled and gold plated	Insulation Resistance:	>10 <sup>9</sup> Ω
Coupling Nut:	CuZn,brass,nickeled	4.Mechanical Data:	
Insert:	PBTP,GF	Insertion Force (contact):	≤ 2.0N (.45LBS)
O-Ring:	Viton	Withdrawal Force (contact):	≥ 0.5N (.11LBS)
3.Electrical Data:		Protection:	IP65
Contact Resistance:	≤ 5mΩ	Mode of Termination:	Solder types

Part Number	Face View of Female Plug	Color Code	Cable Type	
			Lead(mm <sup>2</sup> )	Outer Jacket
HFS-12P-14xx		1= Orange    10= Red 2= Blue      11= White 3= White/blk Tr. 12= Black(GND) 4= Red/bld Tr. 5= Green/blk Tr. 6= Orange/blk Tr. 7= Blue/blk Tr. 8= Black/white Tr. 9= Green	12x0.34(128xΦ0.10)	Φ12.8    PVC
HFA-12P-14xx			12x0.34(128xΦ0.10)	Φ12.8    PUR
HFS-12P-39xx				
HFA-12P-39xx				
HFS-12P-Q		Connector Only		
HFA-12P-Q				

xx-Standard cable available in 5-meter(05),and 10-meter. Other cable length or cable specifications on request.



# HARD-SHELL CONNECTORS

**Description**  
 Hardshell Connectors for Use with Distribution Boxes-On board connector

REQUIRES SPANNER FOR ASSEMBLY

Technical Data			
<b>1.Application Class:</b>	-25°C to +110°C	<b>Current Rating</b>	7.5Amps
<b>2.Materials:</b>		<b>Working Voltage:</b>	60VAC/75VDC
Body:	CuZn,brass,nickeled	<b>Dielectric Withstanding Voltage:</b>	1.5 KVAC eff./60sec
Contact:	CuZn,pre-nickeled and gold plated	<b>Insulation Resistance:</b>	>10 <sup>9</sup> Ω
Coupling Nut:	CuZn,brass,nickeled	<b>4.Mechanical Data:</b>	
Insert:	PBTP,GF	<b>Insertion Force (contact):</b>	≦ 2.0N (.45LBS)
O-Ring:	Viton	<b>Withdrawal Force (contact):</b>	≧ 0.5N (.11LBS)
<b>3.Electrical Data:</b>		<b>Protection:</b>	IP65
Contact Resistance:	≦ 5mΩ	<b>Mode of Termination:</b>	Solder types

Part Number	Face View of Female Plug	Color Code	Cable Type		
			Lead(mm <sup>2</sup> )	Outer Jacket	
HFS-19P-38xx		1= Violet 2= Red 3= Grey 4= Red/blue 5= Green 6= Blue 7= Grey/pink 8= White/green 9= White/yellow 10= white/gray 11= Black 12= Yellow/green 13= Yellow/brown 14= Brown/green 15= White 16= Yellow 17= Pink 18= Gray/Brown 19= Brown	3x1.0(128x φ 0.10)	φ 11.6	PUR
HFA-19P-38xx			16x0.5(64x φ 0.10)		
HFS-19P-Q		Connector Only	3x1.0(128x φ 0.10)	φ 11.6	PUR
HFA-19P-Q			16x0.5(64x φ 0.10)		

xx-Standard cable available in 5-meter(05),and 10-meter. Other cable lengths or cable specifications on request.

# DISTRIBUTION BOXES (HS-SERIES)

**Description**  
Hard shell Connectors for Use with Distribution Boxes-On board connector and pigtail type

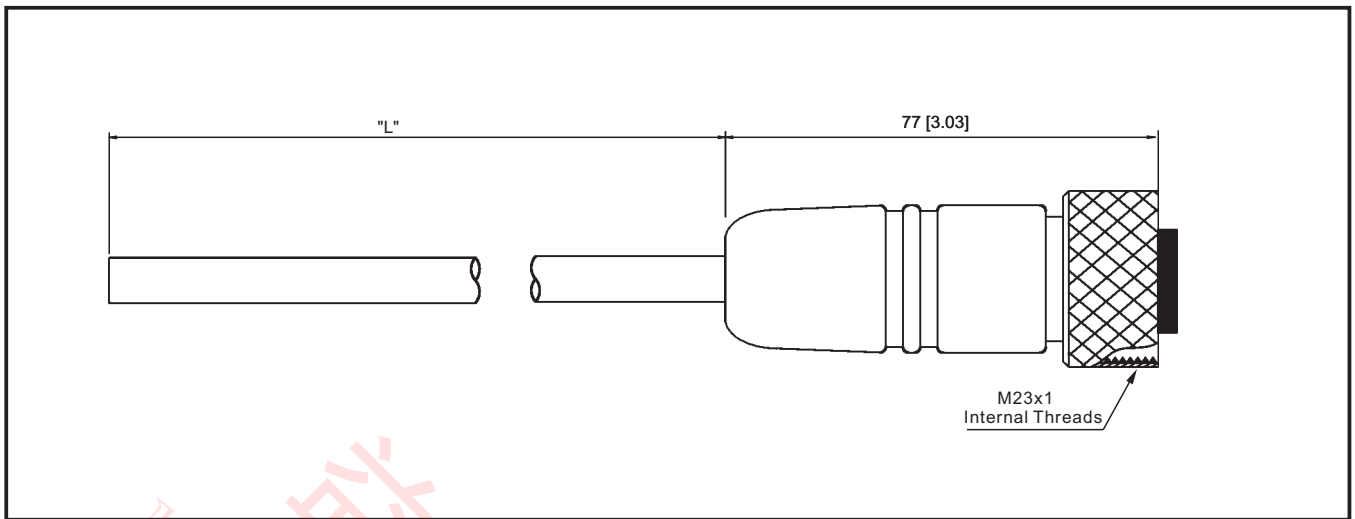
**REQUIRES SPANNER FOR ASSEMBLY**

Technical Data			
1.Application Class:	-25°C to +110°C	Current Rating:	7.5Amps
2.Materials:		Working Voltage:	60VAC/75VDC
Body:	CuZn,brass,nickeled	Dielectric Withstanding Voltage:	1.5 KVAC eff./60sec
Contact:	CuZn,pre-nickeled and gold plated	Insulation Resistance:	>10 <sup>9</sup> Ω
Coupling Nut:	CuZn,brass,nickeled	4.Mechanical Data:	
Insert:	PBTP,GF	Insertion Force (contact):	≤ 2.0N (.45LBS)
O-Ring:	Viton	Withdrawal Force (contact):	≥ 0.5N (.11LBS)
3.Electrical Data:		Protection:	IP65
Contact Resistance:	≤ 5mΩ	Mode of Termination:	Solder types

Part Number	Face View of Female Plug	Color Code	Cable Type		
			Lead(mm <sup>2</sup> )	Outer Jacket	
HFS-12P-14XX + HFA-12P-Q		1= Orange 2= Blue 3= White/blk Tr. 4=Red/blk Tr. 5= Green/blk Tr. 6= Orange/blk Tr. 7= Blue/blk Tr. 8=Black/white Tr. 9= Green 10= Red 11= White 12= Black(GND)	12x0.34(128x φ 0.10)	φ 12.8	PVC
HFS-12P-39XX + HFA-12P-Q			12x0.34(128x φ 0.10)	φ 12.8	PUR
HFS-19P-38XX + HFA-19P-Q		1= Violet 2= Red 3= Grey 4= Red/blue 5= Green 6= Blue 7= Grey/pink 8= White/green 9= White/yellow 10= White/gray 11= Black 12= Yellow/green 13= Yellow/brown 14= Brown/green 15= White 16= Yellow 17= Pink 18= Gray/brown 19= Brown	3x1.0(128x φ 0.10) 16x0.5(64x φ 0.10)	φ 11.6	PUR

xx-Standard cable available in 5-meter(05),and 10-meter. Other cable length or cable specifications on request.

# DISTRIBUTION BOXES(MINI CONNECTORS)



## Description

Mini Connectors for Distribution Boxes-DBRT SERIES,DBRP SERIES and Z-MS12KAS60XX, Z-MS12KAT50XX

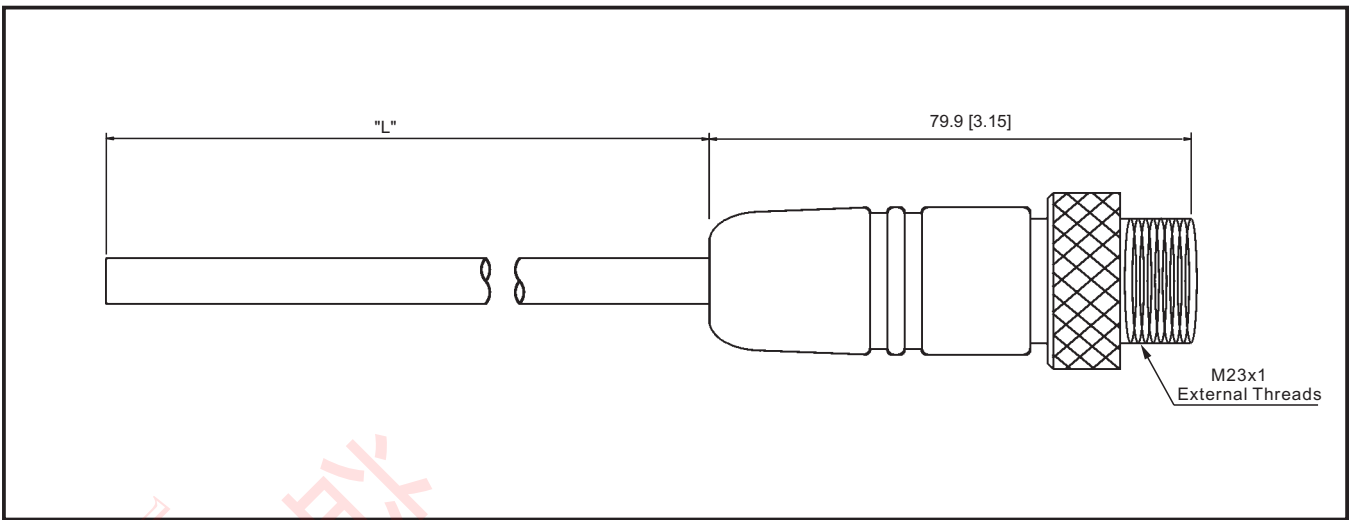
## Technical Data

- Application Class:** -40°C to +90°C
- Materials:**
  - Body: PUR(Polyurethane), Yellow
  - Contact: Brass, gold over nickel plating
  - Coupling Nut: Nickel plated brass
  - Insert: PUR(Polyurethane), Yellow
- Electrical Data:**
  - Contact Resistance:  $\leq 5m \Omega$
  - Current Rating: 5Amps
  - Working Voltage: 600VAC
  - Dielectric Withstanding Voltage: 2 KVAC RMS/60sec
  - Insulation Resistance:  $>10^9 \Omega$
- Mechanical Data:**
  - Insertion Force (contact):  $\leq 3.0N (.67LBS)$
  - Withdrawal Force (contact):  $\geq 1.0N (.22LBS)$
  - Protection: IP68(only in fully locked position)
  - Shock: IEC-68-2-27
  - Vibration: IEC-68-2-6
- CE Conformity with Standards:** EN50082-1, EN50082-2 and IEC60947-5-2

Part Number	Face View of Female Plug	Color Code	Cable Type	
			Lead(mm <sup>2</sup> )	Outer Jacket
Z-FS12KAS60XX	<p>M23 x 1</p>	1= Black 2= Red 3= Pink 4= Gray 5= Yellow 6= Green 7= White 8= Violet 9= White with yellow TR. 10= Blue 11= N/C 12= Brown	3x0.75(96x $\Phi$ 0.10)	SOOW-A PVC
Z-FS12KAT50XX			8x0.34(42x $\Phi$ 0.10)	STOO PVC

xx-Standard cable available in 5-meter(05),and 10-meter.  
Other cable lengths or cable specifications on request.

# DISTRIBUTION BOXES (MINI CONNECTORS)



## Description

Mini Connectors for Z-FS12KAS60XX and Z-FS12KAT50XX

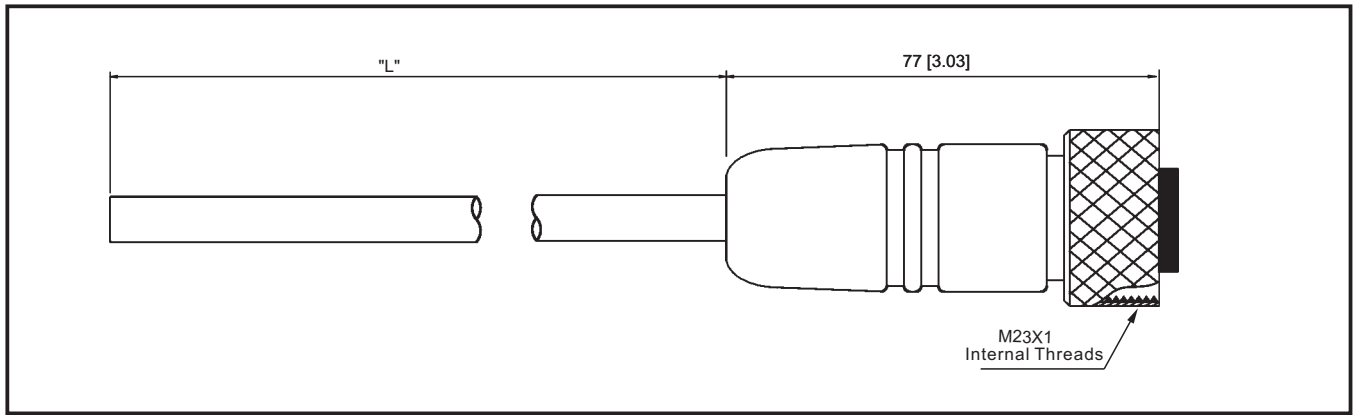
## Technical Data

<b>1.Application Class:</b>	-40°C to +90°C	<b>4.Mechanical Data:</b>	
<b>2.Materials:</b>		Insertion Force (contact):	≤ 3.0N (.67LBS)
Body:	PUR(Polyurethane),Yellow	Withdrawal Force (contact):	≥ 1.0N (.22LBS)
Contact:	Brass,gold over nickel plating	Protection:	IP68(only in fully locked position)
Coupling Nut:	Nickel plated brass	Shock:	IEC-68-2-27
Insert:	PUR(Polyurethane),Yellow	Vibration:	IEC-68-2-6
<b>3.Electrical Data:</b>		<b>5. CE Conformity with Standards:</b>	
Contact Resistance:	≤ 5m Ω		EN50082-1, EN50082-2 and IEC60947-5-2
Current Rating:	5Amps		
Working Voltage:	600VAC		
Dielectric Withstanding Voltage:	2 KVAC RMS/60sec		
Insulation Resistance:	>10 <sup>9</sup> Ω		

Part Number	Face View of Male Plug	Color Code	Cable Type	
			Lead(mm <sup>2</sup> )	Outer Jacket
Z-MS12KAS60XX	<p>M23 x 1</p>	1= Black 2= Red 3= Pink 4= Gray 5= Yellow 6= Green 7= White 8= Violet 9= White with yellow TR. 10= Blue 11= N/C 12= Brown	3x0.75(96x Φ 0.10)	SOOW-A PVC
Z-MS12KAT50XX			8x0.34(42x Φ 0.10)	STOO PVC

xx-Standard cable available in 5-meter(05),and 10-meter.  
Other cable length or cable specifications on request.

# DISTRIBUTION BOXES(MINI CONNECTORS)



## Description

Mini Connectors for Distribution Boxes-DBRT SERIES, DBRP SERIES and Z-MS19KAU100XX

## Technical Data

1.Application Class: -40°C to +90°C

### 2.Materials:

Body: PUR(Polyurethane),Yellow  
 Contact: Brass,gold over nickel plating  
 Coupling Nut: Nickel plated brass  
 Insert: PUR(Polyurethane),Yellow

### 3.Electrical Data:

Contact Resistance:  $\leq 5m \Omega$   
 Current Rating: 5Amps  
 Working Voltage: 300VAC-RMS  
 Dielectric Withstanding Voltage: 2KVAC RMS/60sec  
 Insulation Resistance:  $>10^9 \Omega$

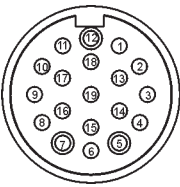
### 4.Mechanical Data:

Insertion Force (contact):  $\leq 2.0N .45LBS$   
 Withdrawal Force (contact):  $\geq 0.5N .11LBS$   
 Protection: IP68(only in fully locked position)  
 Shock: IEC-68-2-27  
 Vibration: IEC-68-2-6

### 5. CE Conformity with Standards:

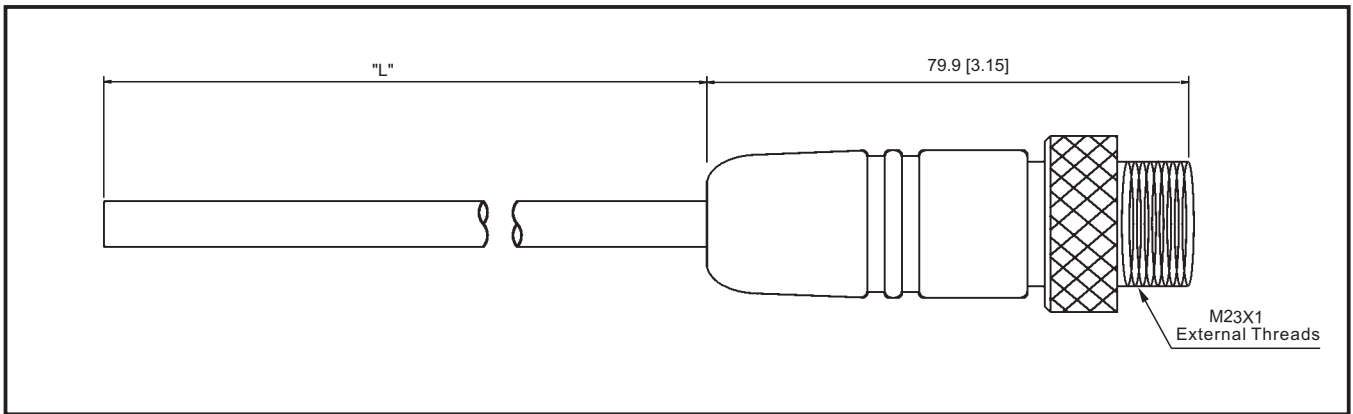
EN50082-1, EN50082-2 and IEC60947-5-2

## Order Information

Part Number	Face View of Female Plug	Color Code	Cable Type	
			Lead(mm <sup>2</sup> )	Outer Jacket
Z-FS19KAU100XX		M23 x 1  1= Violet 2= Red 3= Grey 4= Red/blue 5= Blue(-) 6= Green 7= Brown(+) 8= White/green 9= White/yellow 10= white/gray 11= Black 12= Yellow/green(gnd) 13= Yellow/brown 14= Brown/green 15= White 16= Yellow 17= Pink 18= Gray 19= Gray/pink	3x0.75(96x $\Phi$ 0.10)	$\Phi$ 9.0  PUR
			8x0.34(42x $\Phi$ 0.10)	

xx-Standard cable available in 5-meter(05),and 10-meter.  
 Other cable lengths or cable specifications on request.

# DISTRIBUTION BOXES (MINI CONNECTORS)



## Description

Mini Connectors for Z-FS19KAU100XX

## Technical Data

1.Application Class: -40°C to +90°C

### 2.Materials:

Body: PUR(Polyurethane),Yellow  
 Contact: Brass,gold over nickel plating  
 Coupling Nut: Nickel blated brass  
 Insert: PUR(Polyurethane),Yellow

### 3.Electrical Data:

Contact Resistance:  $\leq 5m \Omega$   
 Current Rating: 5Amps  
 Working Voltage: 300VAC-RMS  
 Dielectric Withstanding Voltage: 2 KVAC RMS/60sec  
 Insulation Resistance:  $>10^9 \Omega$

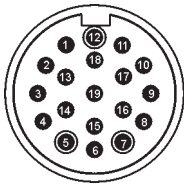
### 4.Mechanical Data:

Insertion Force (contact):  $\leq 2.0N .45LBS$   
 Withdrawal Force (contact):  $\geq 0.5N .11LBS$   
 Protection: IP68(only in fully locked position)  
 Shock: IEC-68-2-27  
 Vibration: IEC-68-2-6

### 5. CE Conformity with Standards:

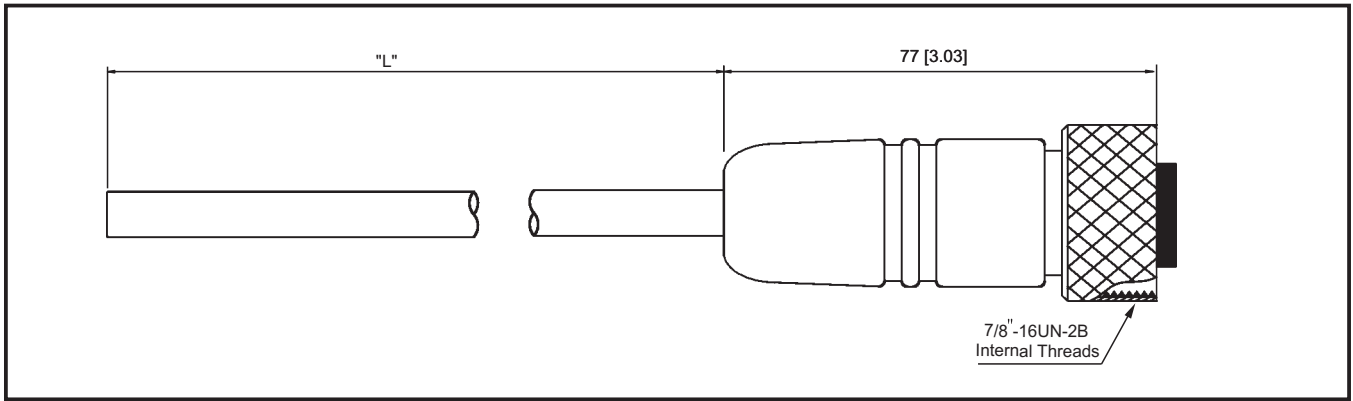
EN50082-1, EN50082-2 and IEC60947-5-2

## Order Information

Part Number	Face View of Male Plug	Color Code	Cable Type	
			Lead(mm <sup>2</sup> )	Outer Jacket
Z-MS19KAU100XX		M23 x 1  1= Violet 2= Red 3= Grey 4= Red/blue 5= Blue(-) 6= Green 7= Brown(+) 8= White/green 9= White/yellow 10= white/gray 11= Black 12= Yellow/green(gnd) 13= Yellow/brown 14= Brown/green 15= White 16= Yellow 17= Pink 18= Gray 19= Gray/pink	3x0.75(96x $\Phi$ 0.10)	$\Phi$ 9.0 PUR
			8x0.34(42x $\Phi$ 0.10)	

xx-Standard cable available in 5-meter(05),and 10-meter. Other cable length or cable specifications on request.

# DISTRIBUTION BOXES(MINI CONNECTORS)



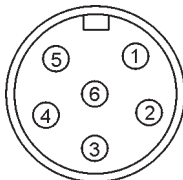
## Description

Mini Connectors for Mini-style Distribution Boxes-DSSZ4-3/3AZ-F6, Micro-style Distribution Boxes-ASSU4-3/3AZ-F6 and Z-MS6KAA452

## Technical Data

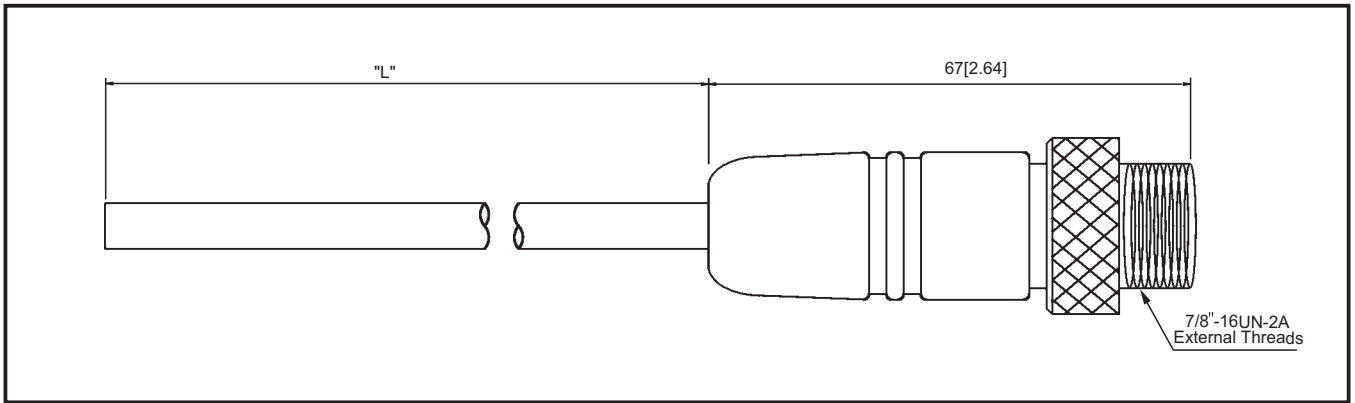
<b>1.Application Class:</b>	-40°C to +90°C	<b>4.Mechanical Data:</b>	
<b>2.Materials:</b>		Insertion Force (contact):	≤ 3.0N (.67LBS)
Body:	PUR(Polyurethane),Yellow	Withdrawal Force (contact):	≥ 1.0N (.22LBS)
Contact:	Brass,gold over nickel plating	Protection:	IP68(only in fully locked position)
Coupling Nut:	Nickel plated brass	Shock:	IEC-68-2-27
Insert:	PUR(Polyurethane),Yellow	Vibration:	IEC-68-2-6
<b>3.Electrical Data:</b>		<b>5. CE Conformity with Standards:</b>	EN50082-1, EN50082-2 and IEC60947-5-2
Contact Resistance:	≤ 5m Ω		
Current Rating:	6A		
Working Voltage:	600VAC		
Dielectric Withstanding Voltage:	2 KVAC RMS/60sec		
Insulation Resistance:	>10 <sup>9</sup> Ω		

## Order Information

Part Number	Face View of Female Plug		Color Code	Cable Type	
				Lead(mm <sup>2</sup> )	Outer jacket
Z-FS6KAA452		7/8"-16	1=White 2=Red 3=Green 4=Orange 5=Black 6=Blue	8x0.75(96x φ0.10)	φ 12.7 STOW-A PVC

xx-Standard cable available in 2-meter(2) 5-meter(5),and 10-meter.  
Other cable lengths or cable specifications on request.

# DISTRIBUTION BOXES (MINI CONNECTORS)



## Description

Mini Connectors for Z-FS6KAA452

## Technical Data

1.Application Class: -40°C to +90°C

### 2.Materials:

Body: PUR(Polyurethane),Yellow  
 Contact: Brass,gold over nickel plating  
 Coupling Nut: Nickel blated brass  
 Insert: PUR(Polyurethane),Yellow

### 3.Electrical Data:

Contact Resistance:  $\leq 5m \Omega$   
 Current Rating: 6A  
 Working Voltage: 600VAC  
 Dielectric Withstanding Voltage: 2 KVAC RMS/60sec  
 Insulation Resistance:  $>10^9 \Omega$

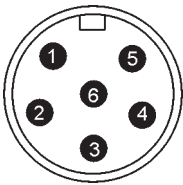
### 4.Mechanical Data:

Insertion Force (contact):  $\leq 3.0N (.67LBS)$   
 Withdrawal Force (contact):  $\geq 1.0N (.22LBS)$   
 Protection: IP68(only in fully locked position)  
 Shock: IEC-68-2-27  
 Vibration: IEC-68-2-6

### 5. CE Conformity with Standards:

EN50082-1, EN50082-2 and IEC60947-5-2

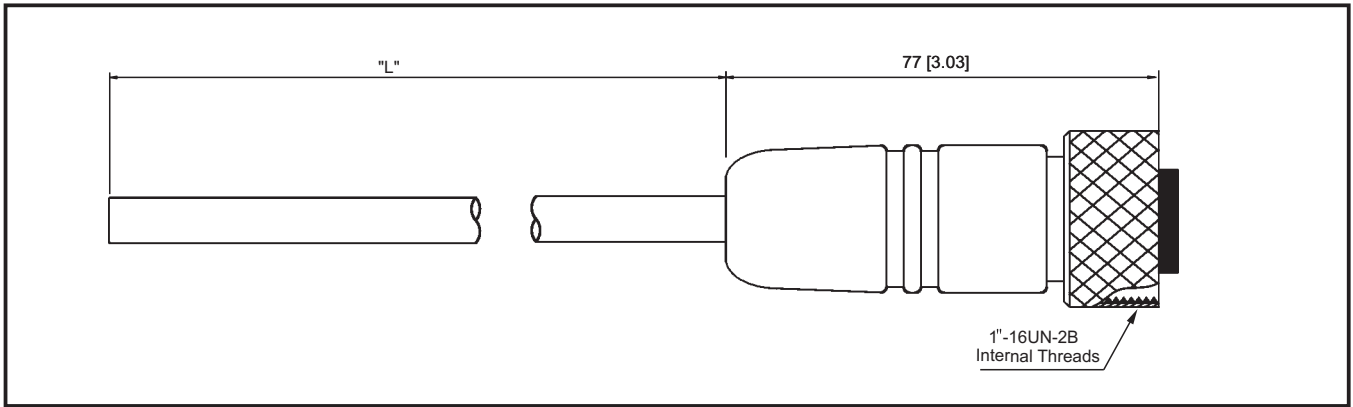
## Order Information

Part Number	Face View of Male Plug		Color Code	Cable Type	
				Lead(mm <sup>2</sup> )	Outer Jacket
Z-MS6KAA452		7/8"-16	1=White 2=Red 3=Green 4=Orange 5=Black 6=Blue	8x0.75(96xφ 0.10)	Φ 12.7 STOW-A PVC

xx-Standard cable available in 2-meter(2) 5-meter(5),and 10-meter.  
 Other cable length or cable specifications on request.



# DISTRIBUTION BOXES(MINI CONNECTORS)




## Description

Mini Connectors for Mini-style Distribution Boxes-DSSZ4-3/3AZ-F7, Micro-Style Distribution Boxes-ASSU4-3/3AA-F7 and Z-MS7KAA462

## Technical Data

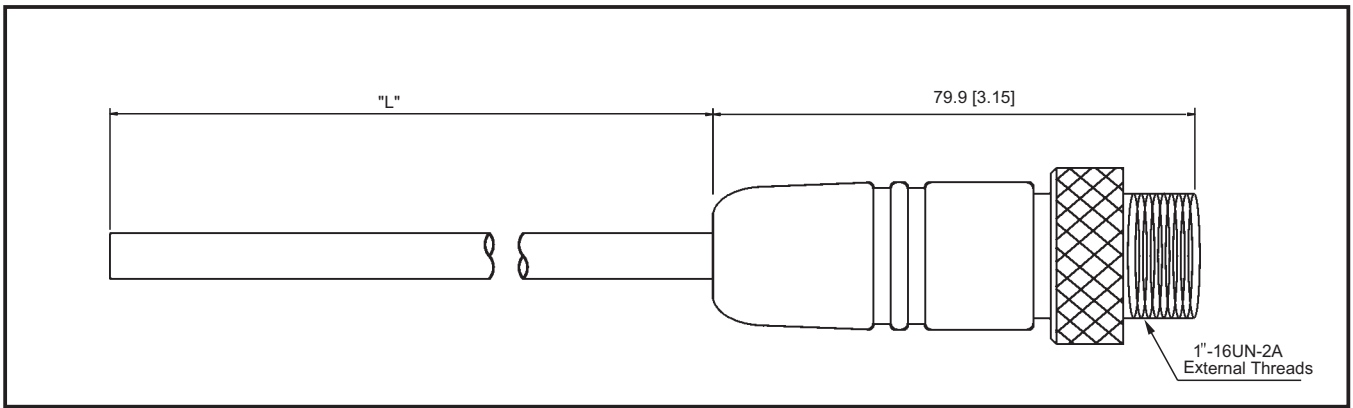
<b>1.Application Class:</b> -40°C to +90°C		<b>4.Mechanical Data:</b>	
<b>2.Materials:</b>		Insertion Force (contact): ≤ 3.0N (.67LBS)	
Body:	PUR(Polyurethane),Yellow	Withdrawal Force (contact): ≥ 1.0N (.22LBS)	
Contact:	Brass,gold over nickel plating	Protection: IP68(only in fully locked position)	
Coupling Nut:	Nickel plated brass	Shock: IEC-68-2-27	
Insert:	PUR(Polyurethane),Yellow	Vibration: IEC-68-2-6	
<b>3.Electrical Data:</b>		<b>5. CE Conformity with Standards:</b>	
Contact Resistance:	≤ 5mΩ	EN50082-1, EN50082-2 and IEC60947-5-2	
Current Rating:	6A		
Working Voltage:	600VAC		
Dielectric Withstanding Voltage:	2 KVAC RMS/60sec		
Insulation Resistance:	>10 <sup>9</sup> Ω		

## Order Information

Part Number	Face View of Female Plug	Color Code	Cable Type	
			Lead(mm <sup>2</sup> )	Outer jacket
Z-FS7KAA462	 1"-16	1=White/black Tr. 2=Black 3=White 4=Red 5=Orange 6=Bule 7=Green	7x1.5(166xφ0.10)	Φ15.1 STOW-A PVC

xx-Standard cable available in 2-meter(2) 5-meter(5),and 10-meter.  
Other cable lengths or cable specifications on request.

# DISTRIBUTION BOXES (MINI CONNECTORS)



## Description

Mini Connectors for Z-FS7KAA462

## Technical Data

1.Application Class: -40°C to +90°C

### 2.Materials:

Body: PUR(Polyurethane),Yellow  
 Contact: Brass,gold over nickel plating  
 Coupling Nut: Nickel blated brass  
 Insert: PUR(Polyurethane),Yellow

### 3.Electrical Data:

Contact Resistance:  $\leq 5m\Omega$   
 Current Rating: 6A  
 Working Voltage: 600VAC  
 Dielectric Withstanding Voltage: 2 KVAC RMS/60sec  
 Insulation Resistance:  $>10^9\Omega$

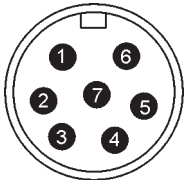
### 4.Mechanical Data:

Insertion Force (contact):  $\leq 3.0N (.67LBS)$   
 Withdrawal Force (contact):  $\geq 1.0N (.22LBS)$   
 Protection: IP68(only in fully locked position)  
 Shock: IEC-68-2-27  
 Vibration: IEC-68-2-6

### 5. CE Conformity with Standards:

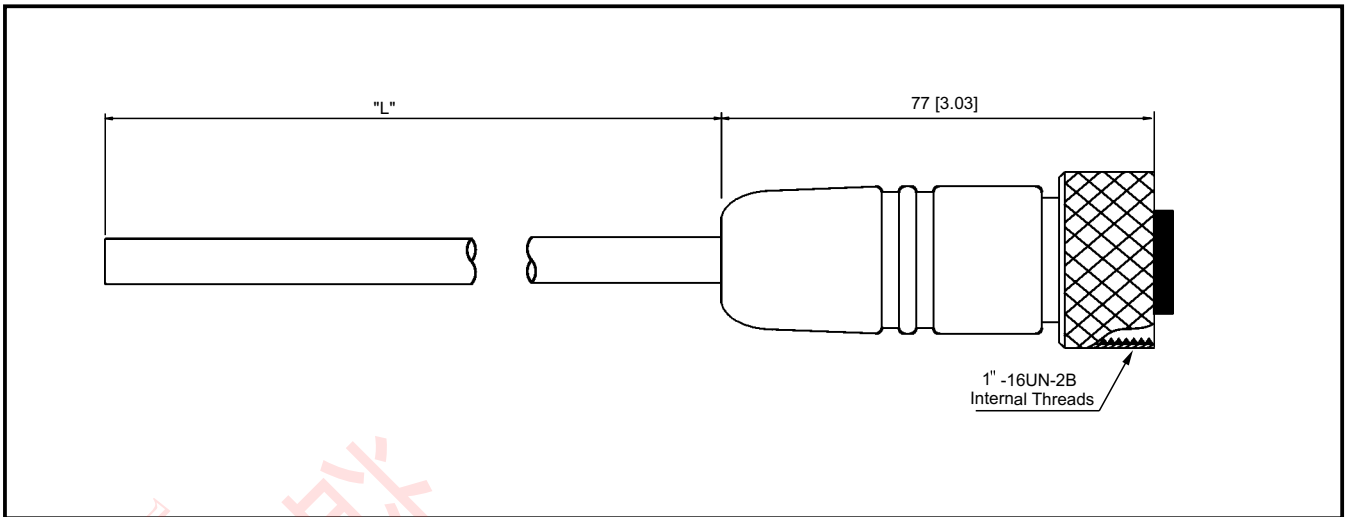
EN50082-1, EN50082-2 and IEC60947-5-2

## Order Information

Part Number	Face View of Male Plug		Color Code	Cable Type	
				Lead(mm <sup>2</sup> )	Outer Jacket
Z-MS7KAA462		1"-16	1=White/black Tr. 2=Black 3=White 4=Red 5=Orange 6=Bule 7=Green	7x1.5(166xφ0.10)	φ15.1 STOW-A PVC

xx-Standard cable available in 2-meter(2) 5-meter(5),and 10-meter.  
 Other cable length or cable specifications on request.

# DISTRIBUTION BOXES(MINI CONNECTORS)



## Description

Mini Connectors for Mini-style Distribution Boxes-DSSZ6-3/3AZ-F8, Micro-Style Distribution Boxes-ASSU4-3/3AZ-F7 and Z-MS8KAA472

## Technical Data

1.Application Class: -40°C to +90°C

### 2.Materials:

Body: PUR(Polyurethane),Yellow  
 Contact: Brass,gold over nickel plating  
 Coupling Nut: Nickel plated brass  
 Insert: PUR(Polyurethane),Yellow

### 3.Electrical Data:

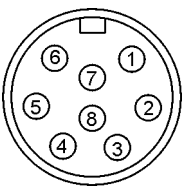
Contact Resistance:  $\leq 5m \Omega$   
 Current Rating: 7A  
 Working Voltage: 600VAC  
 Dielectric Withstanding Voltage: 2 KVAC RMS/60sec  
 Insulation Resistance:  $>10^9 \Omega$

### 4.Mechanical Data:

Insertion Force (contact):  $\leq 3.0N (.67LBS)$   
 Withdrawal Force (contact):  $\geq 1.0N (.22LBS)$   
 Protection: IP68(only in fully locked position)  
 Shock: IEC-68-2-27  
 Vibration: IEC-68-2-6

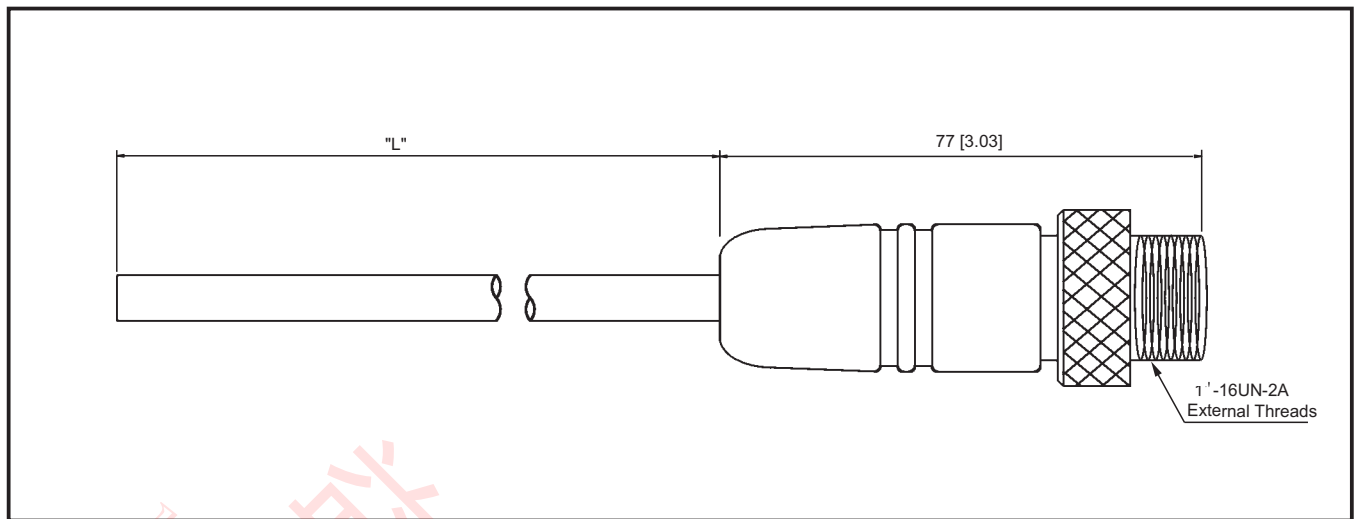
### 5. CE Conformity with Standards:

EN50082-1, EN50082-2 and IEC60947-5-2

Part Number	Face View of Female Plug	Color Code	Cable Type	
			Lead(mm <sup>2</sup> )	Outer Jacket
Z-FS8KAA472	 1" -16	1=Orange 2=Blue 3=White/Blk tr 4=Black 5=White 6=Red 7=Green 8=Red/Blk tr	8x1.5(166x $\phi$ 0.10)	$\phi$ 16.1 STOW-A PVC

xx-Standard cable available in 2-meter(2) 5-meter(5),and 10-meter.  
 Other cable lengths or cable pecifications on request.

# DISTRIBUTION BOXES (MINI CONNECTORS)



## Description

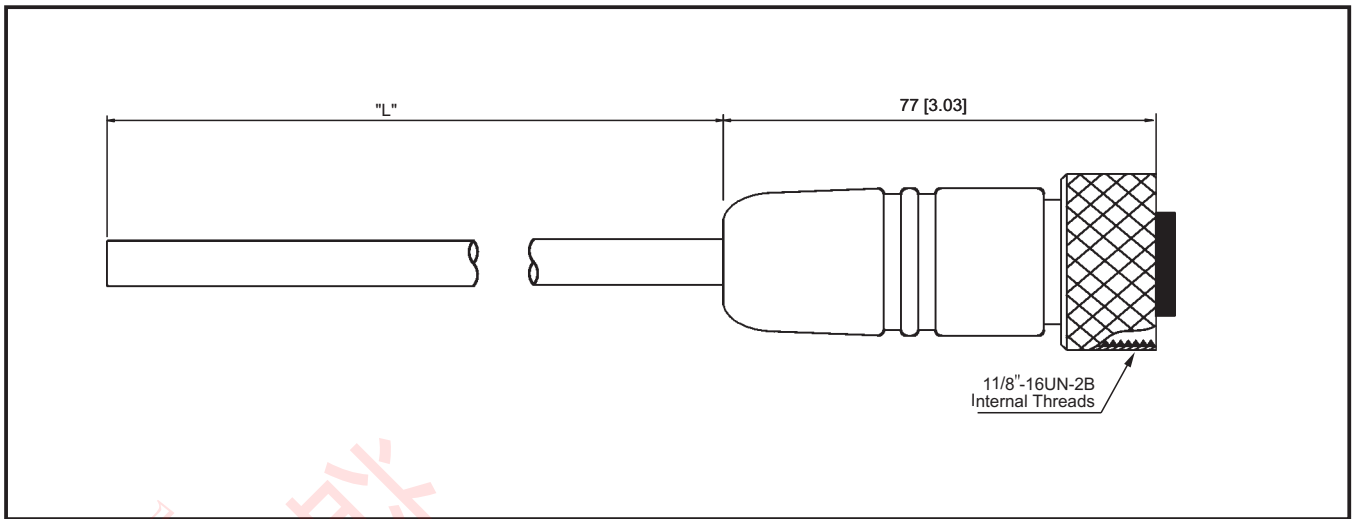
Mini Connectors for Z-FS8KAA472

## Technical Data

- |                                  |                                |   |                                     |
|----------------------------------|--------------------------------|---|-------------------------------------|
| <b>1.Application Class:</b>      | -40°C to +90°C                 | <b>4.Mechanical Data:</b>               |                                     |
| <b>2.Materials:</b>              |                                | Insertion Force (contact):              | ≤ 3.0N (.67LBS)                     |
| Body:                            | PUR(Polyurethane),Yellow       | Withdrawal Force (contact):             | ≥ 1.0N (.22LBS)                     |
| Contact:                         | Brass,gold over nickel plating | Protection:                             | IP68(only in fully locked position) |
| Coupling Nut:                    | Nickel plated brass            | Shock:                                  | IEC-68-2-27                         |
| Insert:                          | PUR(Polyurethane),Yellow       | Vibration:                              | IEC-68-2-6                          |
| <b>3.Electrical Data:</b>        |                                | <b>5. CE Conformity with Standards:</b> |                                     |
| Contact Resistance:              | ≤ 5mΩ                          | EN50082-1, EN50082-2 and IEC60947-5-2   |                                     |
| Current Rating:                  | 7A                             |   |                                     |
| Working Voltage:                 | 600VAC                         |   |                                     |
| Dielectric Withstanding Voltage: | 2 KVAC RMS/60sec               |   |                                     |
| Insulation Resistance:           | >10 <sup>9</sup> Ω             |   |                                     |

Part Number	Face View of Male Plug	Color Code	Cable Type	
			Lead(mm <sup>2</sup> )	Outer Jacket
Z-MS8KAA472	<p>1"-16</p>	1=Orange 2=Blue 3=White/Blk tr 4=Black 5=White 6=Red 7=Green 8=Red/Blk tr	8x1.5(166xφ0.10)	φ 16.1 STOW-A PVC
xx-Standard cable available in 2-meter(2) 5-meter(5),and 10-meter. Other cable length or cable pecifications on request.				

# DISTRIBUTION BOXES(MINI CONNECTORS)



## Description

Mini Connectors for Mini-style Distribution Boxes-DSSZ6-3/3AA-F9, Micro-Style Distribution Boxes-ASSU4-3/3AZ-F9 and Z-MS9KAA482

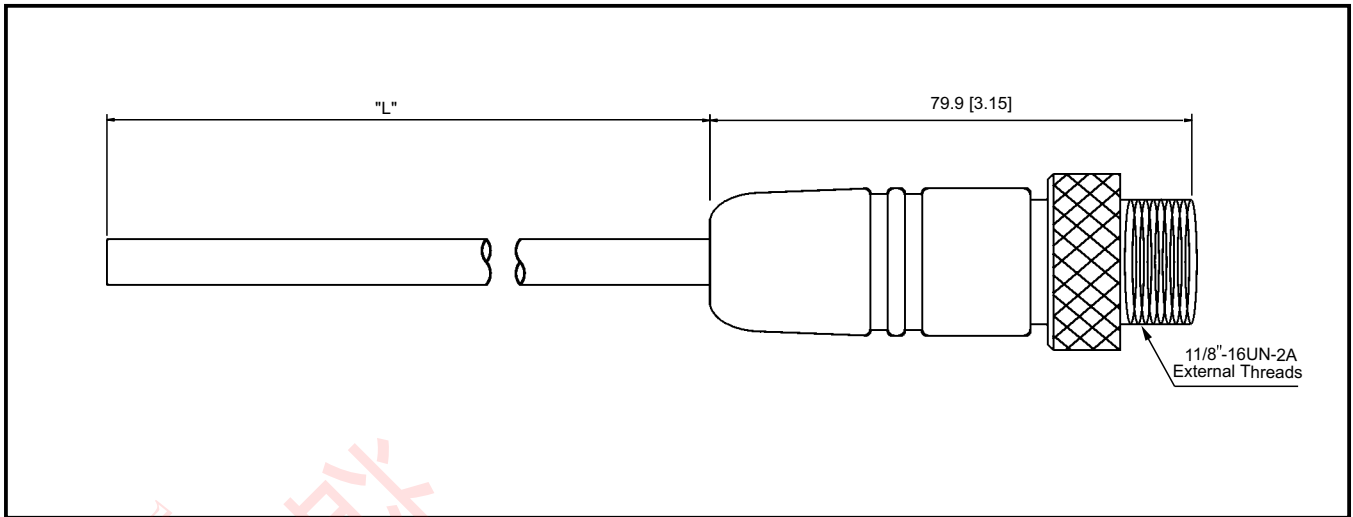
## Technical Data

- |                                  |                                |   |                                       |
|----------------------------------|--------------------------------|---|---------------------------------------|
| <b>1.Application Class:</b>      | -40°C to +90°C                 | <b>4.Mechanical Data:</b>               |                                       |
| <b>2.Materials:</b>              |                                | Insertion Force (contact):              | ≤ 3.0N (.67LBS)                       |
| Body:                            | PUR(Polyurethane),Yellow       | Withdrawal Force (contact):             | ≥ 1.0N (.22LBS)                       |
| Contact:                         | Brass,gold over nickel plating | Protection:                             | IP68(only in fully locked position)   |
| Coupling Nut:                    | Nickel plated brass            | Shock:                                  | IEC-68-2-27                           |
| Insert:                          | PUR(Polyurethane),Yellow       | Vibration:                              | IEC-68-2-6                            |
| <b>3.Electrical Data:</b>        |                                | <b>5. CE Conformity with Standards:</b> | EN50082-1, EN50082-2 and IEC60947-5-2 |
| Contact Resistance:              | ≤ 5m Ω                         |   |                                       |
| Current Rating:                  | 6A                             |   |                                       |
| Working Voltage:                 | 600VAC                         |   |                                       |
| Dielectric Withstanding Voltage: | 2 kVAC RMS/60sec               |   |                                       |
| Insulation Resistance:           | >10 <sup>9</sup> Ω             |   |                                       |

Part Number	Face View of Female Plug	Color Code	Cable Type	
			Lead(mm <sup>2</sup> )	Outer Jacket
Z-FS9KAA482	 11/8"-16	1=orange 2=blue 3=red/blk Tr 4=green/blk Tr 5=white 6=red 7=green 8=white/blk Tr 9=black	9x1.5(166 xφ 0.10)	φ 16.9 STOW-A PVC

xx-Standard cable available in 2-meter(2) 5-meter(5),and 10-meter.  
Other cable lengths or cable specifications on request.

# DISTRIBUTION BOXES (MINI CONNECTORS)



## Description

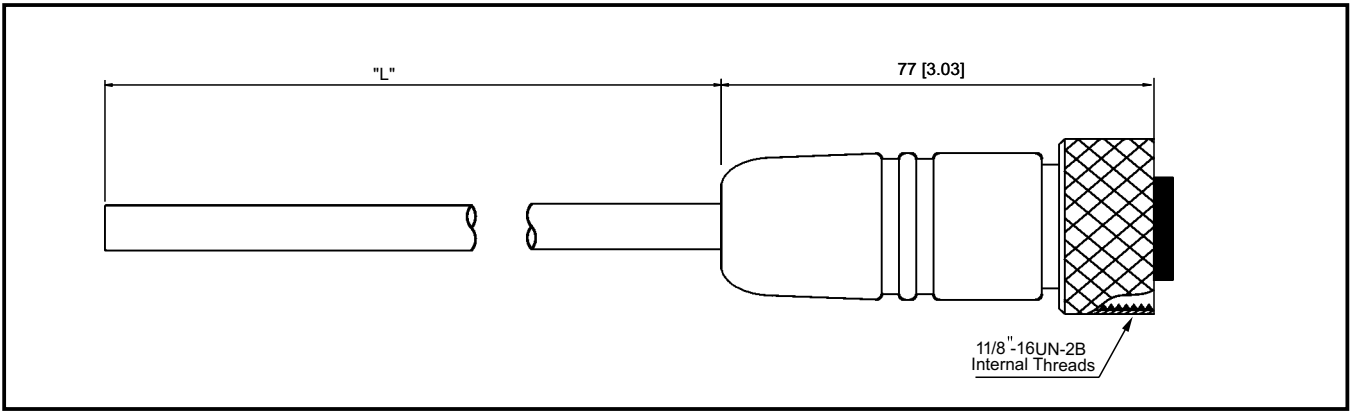
Mini Connectors for Z-FS9KAA482

## Technical Data

- |   |   |
|---|---|
| <p><b>1.Application Class:</b> -40°C to +90°C</p> <p><b>2.Materials:</b><br/>                 Body: PUR(Polyurethane),Yellow<br/>                 Contact: Brass,gold over nickel plating<br/>                 Coupling Nut: Nickel plated brass<br/>                 Insert: PUR(Polyurethane),Yellow</p> <p><b>3.Electrical Data:</b><br/>                 Contact Resistance: <math>\leq 5m \Omega</math><br/>                 Current Rating: 6A<br/>                 Working Voltage: 600VAC<br/>                 Dielectric Withstanding Voltage: 2 KVAC RMS/60sec<br/>                 Insulation Resistance: <math>&gt;10^9 \Omega</math></p> | <p><b>4.Mechanical Data:</b><br/>                 Insertion Force (contact): <math>\leq 3.0N (.67LBS)</math><br/>                 Withdrawal Force (contact): <math>\geq 1.0N (.22LBS)</math><br/>                 Protection: IP68(only in fully locked position)<br/>                 Shock: IEC-68-2-27<br/>                 Vibration: IEC-68-2-6</p> <p><b>5. CE Conformity with Standards:</b><br/>                 EN50082-1, EN50082-2 and IEC60947-5-2</p> |
|---|---|

Part Number	Face View of Male Plug	Color Code	Cable Type	
			Lead(mm <sup>2</sup> )	Outer Jacket
Z-MS9KAA482	<p>11/8"-16</p>	1=Orange 2=Blue 3=Red/blk Tr 4=Green/blk Tr 5=White 6=Red 7=Green 8=White/blk Tr 9=Black	9x1.5(166x $\phi$ 0.10)	$\phi$ 16.9 STOW-A PVC
xx-Standard cable available in 2-meter(2) 5-meter(5),and 10-meter. Other cable length or cable specifications on request.				

# DISTRIBUTION BOXES(MINI CONNECTORS)



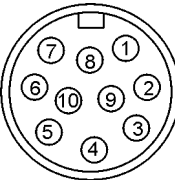
## Description

Mini Connectors for Mini-style Distribution Boxes-DSSZ4-5/5AZ-F10,DSSZ8-3/3AZ-F10, Micro-Style Distribution Boxes- ASSU4-3/3AZ-F10 and Z-MS10KAA492

## Technical Data

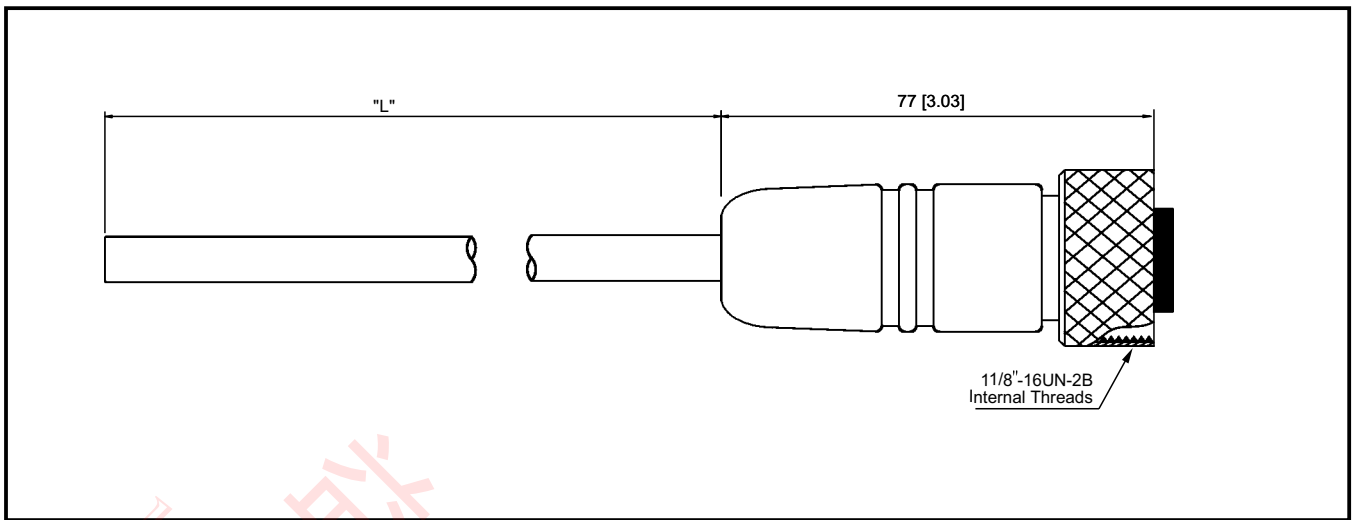
<b>1.Application Class:</b>	-40°C to +90°C	<b>4.Mechanical Data:</b>	
<b>2.Materials:</b>		Insertion Force (contact):	≤ 3.0N (.67LBS)
Body:	PUR(Polyurethane),Yellow	Withdrawal Force (contact):	≥ 1.0N (.22LBS)
Contact:	Brass,gold over nickel plating	Protection:	IP68(only in fully locked position)
Coupling Nut:	Nickel plated brass	Shock:	IEC-68-2-27
Insert:	PUR(Polyurethane),Yellow	Vibration:	IEC-68-2-6
<b>3.Electrical Data:</b>		<b>5. CE Conformity with Standards:</b>	
Contact Resistance:	≤ 5mΩ	EN50082-1, EN50082-2 and IEC60947-5-2	
Current Rating:	7A		
Working Voltage:	600VAC		
Dielectric Withstanding Voltage:	2 KVAC RMS/60sec		
Insulation Resistance:	>10 <sup>9</sup> Ω		

## Order Information

Part Number	Face View of Female Plug		Color Code	Cable Type		
				Lead(mm <sup>2</sup> )	Outer	Jacket
Z-FS10KAA492		11/8"-16	1=Orange 2=Blue 3=White/blk Tr 4=Red/blk Tr 5=Green/blk Tr 6=Orange/blk Tr 7=Red 8=Green 9=Black 10=White	10x1.5(166xφ0.10)	φ17.5	STOW-A PVC

xx-Standard cable available in 2-meter(2) 5-meter(5),and 10-meter.  
Other cable lengths or cable specifications on request.

# DISTRIBUTION BOXES(MINI CONNECTORS)



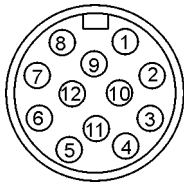
## Description

Mini Connectors for Mini-style Distribution Boxes-DSSZ8-3/3AA-F12, Micro-Style Distribution Boxes-ASSU4-3/3AZ-F12 and Z-MS12KAA612

## Technical Data

<b>1.Application Class:</b>	-40°C to +90°C	<b>4.Mechanical Data:</b>	
<b>2.Materials:</b>		Insertion Force (contact):	≤ 3.0N (.67LBS)
Body:	PUR(Polyurethane),Yellow	Withdrawal Force (contact):	≥ 1.0N (.22LBS)
Contact:	Brass,gold over nickel plating	Protection:	IP68(only in fully locked position)
Coupling Nut:	Nickel plated brass	Shock:	IEC-68-2-27
Insert:	PUR(Polyurethane),Yellow	Vibration:	IEC-68-2-6
<b>3.Electrical Data:</b>		<b>5. CE Conformity with Standards:</b>	
Contact Resistance:	≤ 5mΩ	EN50082-1, EN50082-2 and IEC60947-5-2	
Current Rating:	7A		
Working Voltage:	600VAC		
Dielectric Withstanding Voltage:	2 KVAC RMS/60sec		
Insulation Resistance:	>10 <sup>9</sup> Ω		

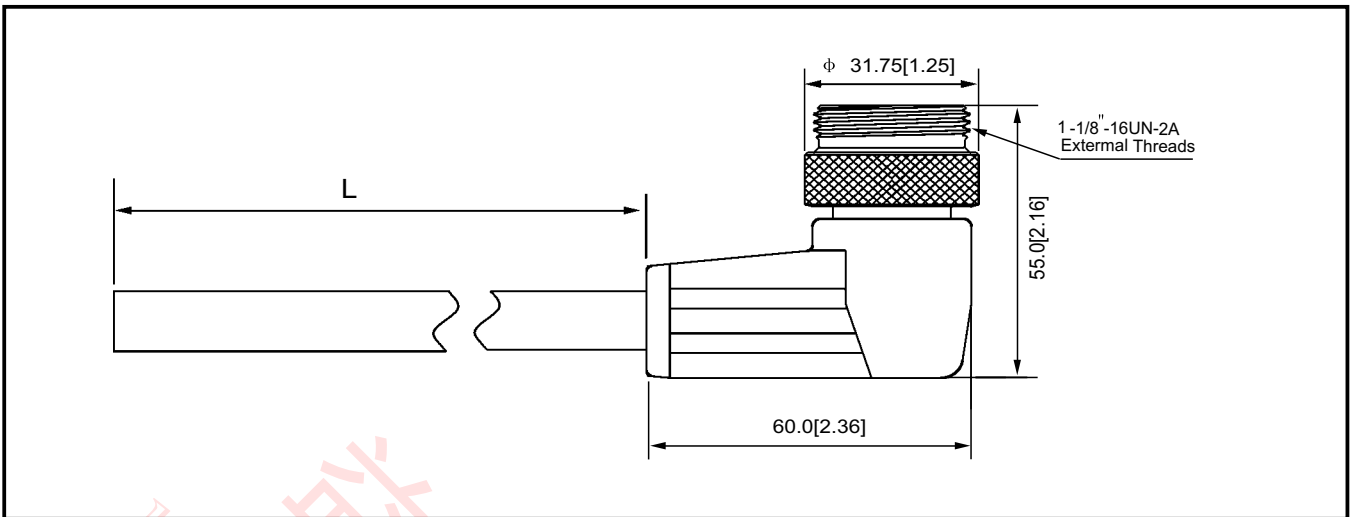
## Order Information

Part Number	Face View of Female Plug		Color Code	Cable Type		
				Lead(mm <sup>2</sup> )	Outer Jacket	
Z-FS12KAA612		11/8"-16	1=Orange 2=Blue 3=White/blk Tr 4=Red/blk Tr 5=Green/blk Tr 6=Orang/blk Tr 7=Blue/blk Tr 8=Black/white Tr 9=Green 10=Red 11=White 12=Black	12x1.5(166xφ0.10)	Φ 17.5	STOW-A PVC

xx-Standard cable available in 2-meter(2) 5-meter(5),and 10-meter.  
Other cable lengths or cable specifications on request.



# DISTRIBUTION BOXES(MINI CONNECTORS)




## Description

Mini Connectors for Z-FA12KAA612, Z-FS12KAA612

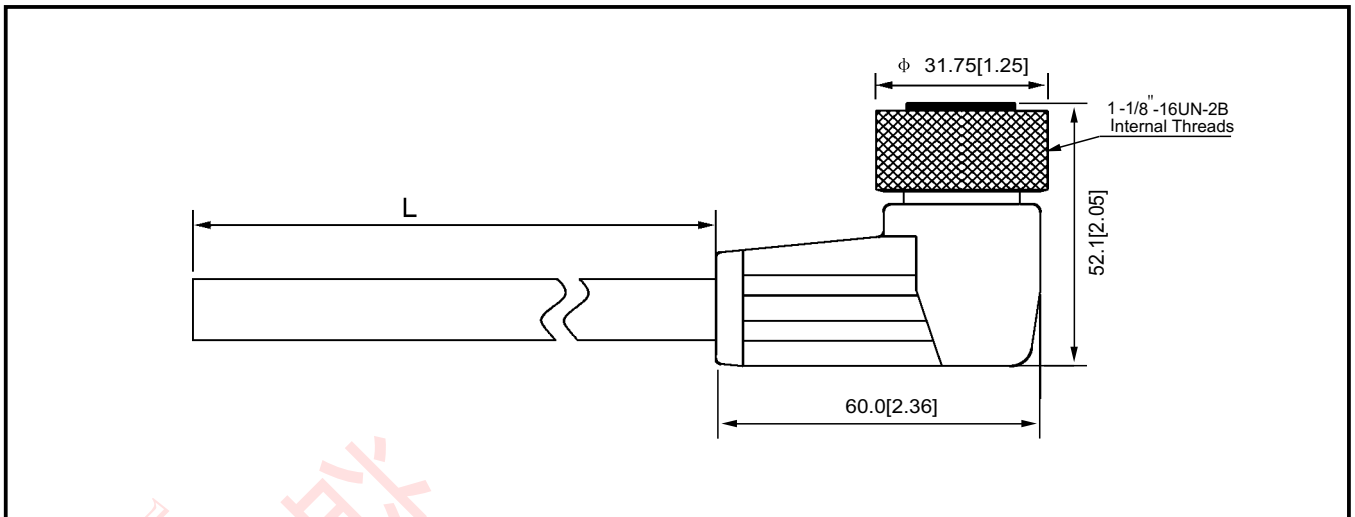
## Technical Data

- |   |   |
|---|---|
| <p><b>1.Application Class:</b> -40°C to +90°C</p> <p><b>2.Materials:</b><br/>                 Body: PUR(Polyurethane), Yellow<br/>                 Contact: Brass, gold over nickel plating<br/>                 Coupling Nut: Nickel plated brass<br/>                 Insert: PUR(Polyurethane), Yellow</p> <p><b>3.Electrical Data:</b><br/>                 Contact Resistance: <math>\leq 5m\Omega</math><br/>                 Current Rating: 7A<br/>                 Working Voltage: 600VAC<br/>                 Dielectric Withstanding Voltage: 2 KVAC RMS/60sec<br/>                 Insulation Resistance: <math>&gt;10^9 \Omega</math></p> | <p><b>4.Mechanical Data:</b><br/>                 Insertion Force (contact): <math>\leq 3.0N (.67LBS)</math><br/>                 Withdrawal Force (contact): <math>\geq 1.0N (.22LBS)</math><br/>                 Protection: IP68(only in fully locked position)<br/>                 Shock: IEC-68-2-27<br/>                 Vibration: IEC-68-2-6</p> <p><b>5. CE Conformity with Standards:</b><br/>                 EN50082-1, EN50082-2 and IEC60947-5-2</p> |
|---|---|

Part Number	Face View of Male Plug	Color Code	Cable Type	
			Lead(mm <sup>2</sup> )	Outer Jacket
Z-MA12KAA612	 <p>11/8"-16</p>	1=Orange 2=Blue 3=White/blk Tr 4=Red/blk Tr 5=Green/blk Tr 6=Orang/blk Tr 7=Blue/blk Tr 8=Black/white Tr 9=Green 10=Red 11=White 12=Black	12x1.5(166x $\phi$ 0.10)	$\phi$ 17.5 STOW-A PVC

xx-Standard cable available in 2-meter(2) 5-meter(5), and 10-meter.  
 Other cable lengths or cable specifications on request.

# DISTRIBUTION BOXES (MINI CONNECTORS)



## Description

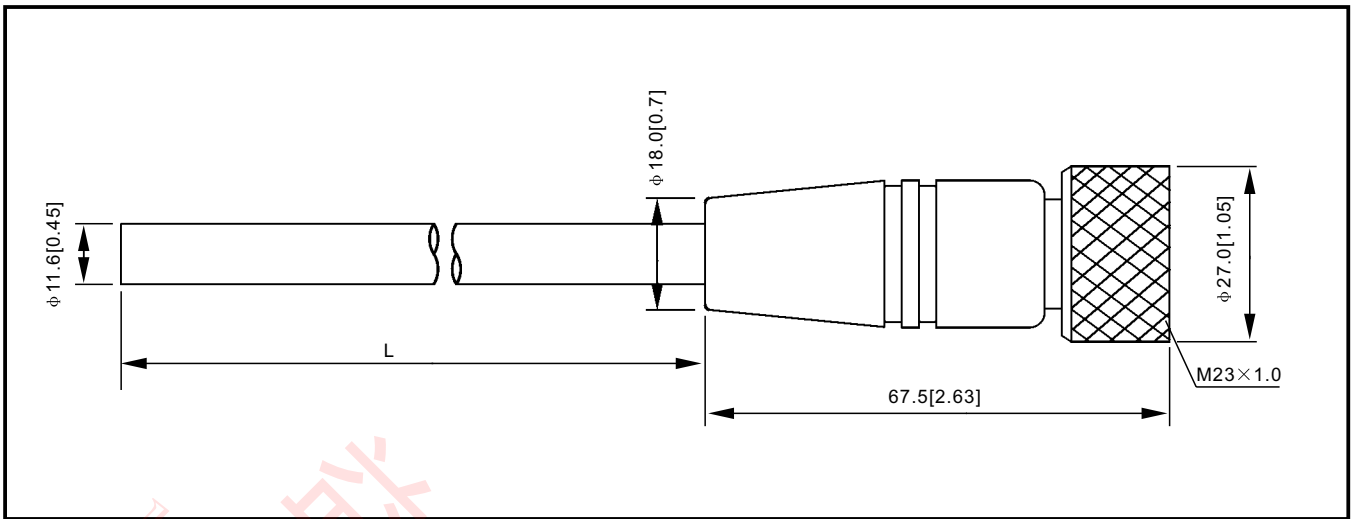
Mini Connectors for Z-MA12KAA612, Z-MS12KAA612

## Technical Data

<b>1.Application Class:</b>	-40°C to +90°C	<b>4.Mechanical Data:</b>	
<b>2.Materials:</b>		Insertion Force (contact):	≤ 3.0N (.67LBS)
Body:	PUR(Polyurethane),Yellow	Withdrawal Force (contact):	≥ 1.0N (.22LBS)
Contact:	Brass,gold over nickel plating	Protection:	IP68(only in fully locked position)
Coupling Nut:	Nickel blated brass	Shock:	IEC-68-2-27
Insert:	PUR(Polyurethane),Yellow	Vibration:	IEC-68-2-6
<b>3.Electrical Data:</b>		<b>5. CE Conformity with Standards:</b>	EN50082-1, EN50082-2 and IEC60947-5-2
Contact Resistance:	≤ 5m Ω		
Current Rating:	7A		
Working Voltage:	600VAC		
Dielectric Withstanding Voltage:	2KVAC RMS/60sec		
Insulation Resistance:	>10 <sup>9</sup> Ω		

Part Number	Face View of female Plug		Color Code	Cable Type	
				Lead(mm <sup>2</sup> )	Outer Jacket
Z-FA12KAA612		11/8"-16	1=Orange 2=Blue 3=White/blk Tr 4=Red/blk Tr 5=Green/blk Tr 6=Orang/blk Tr 7=Blue/blk Tr 8=Black/white Tr 9=Green 10=Red 11=White 12=Black	12x1.5(166x φ0.10)	φ 17.5 STOW-A PVC
xx-Standard cable available in 2-meter(2) 5-meter(5),and 10-meter. Other cable length or cable specifications on request.					

# DISTRIBUTION BOXES (MINI CONNECTORS)



## Description

Mini Connectors for Z-MS19KAA1019

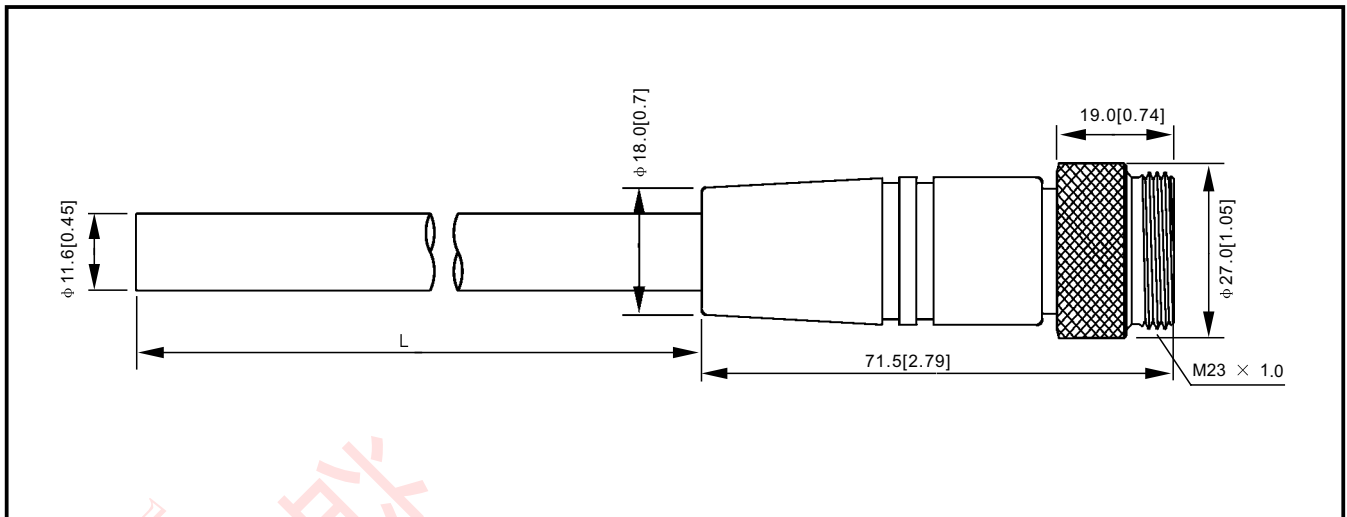
## Technical Data

- |   |   |
|---|---|
| <p><b>1.Application Class:</b> -40°C to +90°C</p> <p><b>2.Materials:</b><br/>                 Body: PUR(Polyurethane),Yellow<br/>                 Contact: Brass,gold over nickel plating<br/>                 Coupling Nut: Nickel blated brass<br/>                 Insert: PUR(Polyurethane),Yellow</p> <p><b>3.Electrical Data:</b><br/>                 Contact Resistance: <math>\leq 5m\Omega</math><br/>                 Current Rating: 6A<br/>                 Working Voltage: 600VAC<br/>                 Dielectric Withstanding Voltage: 2KVAC RMS/60sec<br/>                 Insulation Resistance: <math>&gt;10^9 \Omega</math></p> | <p><b>4.Mechanical Data:</b><br/>                 Insertion Force (contact): <math>\leq 3.0N (.67LBS)</math><br/>                 Withdrawal Force (contact): <math>\geq 1.0N (.22LBS)</math><br/>                 Protection: IP68(only in fully locked position)<br/>                 Shock: IEC-68-2-27<br/>                 Vibration: IEC-68-2-6</p> <p><b>5. CE Conformity with Standards:</b><br/>                 EN50082-1, EN50082-2 and IEC60947-5-2</p> |
|---|---|

Part Number	Face View of Female Plug		Color Code	Cable Type	
				Lead(mm <sup>2</sup> )	Outer Jacket
Z-FS19KAA619		M23 x 1.0	1=Violet 2=Red 3=Grey 4=Red/blue 5=Green 6=Blue 7=Grey/pink 8=White/green 9=White/yellow 10=White/gray 11=Black 12=Yellow/green 13=Yellow/brown 14=Brown/green 15=White 16=Yellow 17=Pink 18=Gray/brown 19=Brown	16x0.5(64x $\phi 0.10$ )	$\phi 11.6$ PUR

xx-Standard cable available in 2-meter(2) 5-meter(5),and 10-meter.  
 Other cable length or cable specifications on request.

# DISTRIBUTION BOXES (MINI CONNECTORS)

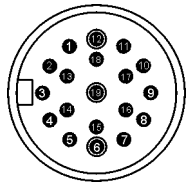


## Description

Mini Connectors for Z-FS19KAA619

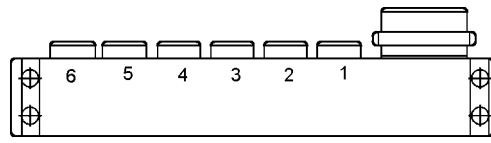
## Technical Data

- |  |   |
|--|---|
| <p><b>1.Application Class:</b> -40°C to +90°C</p> <p><b>2.Materials:</b><br/>                 Body: PUR(Polyurethane),Yellow<br/>                 Contact: Brass,gold over nickel plating<br/>                 Coupling Nut: Nickel blated brass<br/>                 Insert: PUR(Polyurethane),Yellow</p> <p><b>3.Electrical Data:</b><br/>                 Contact Resistance: <math>\leq 5m\Omega</math><br/>                 Current Rating: 6A<br/>                 Working Voltage: 600VAC<br/>                 Dielectric Withstanding Voltage: 2KVAC RMS/60sec<br/>                 Insulation Resistance: <math>&gt;10^9\Omega</math></p> | <p><b>4.Mechanical Data:</b><br/>                 Insertion Force (contact): <math>\leq 3.0N (.67LBS)</math><br/>                 Withdrawal Force (contact): <math>\geq 1.0N (.22LBS)</math><br/>                 Protection: IP68(only in fully locked position)<br/>                 Shock: IEC-68-2-27<br/>                 Vibration: IEC-68-2-6</p> <p><b>5. CE Conformity with Standards:</b><br/>                 EN50082-1, EN50082-2 and IEC60947-5-2</p> |
|--|---|

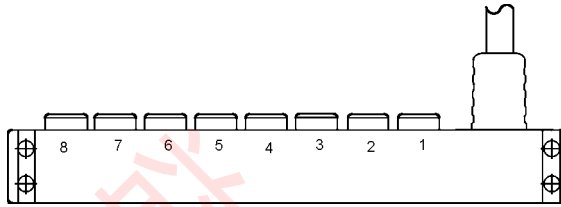
Part Number	Face View of Male Plug	Color Code	Cable Type	
			Lead(mm <sup>2</sup> )	Outer Jacket
Z-MS19KAA1019	 <p>M23 x 1.0</p>	1=Violet 2=Red 3=Grey 4=Red/blue 5=Green 6=Blue 7=Grey/pink 8=White/green 9=White/yellow 10=White/gray 11=Black 12=Yellow/green 13=Yellow/brown 14=Brown/green 15=White 16=Yellow 17=Pink 18=Gray/brown 19=Brown	16x0.5(64 x $\phi$ 0.10)	$\Phi$ 11.6 PUR

xx-Standard cable available in 2-meter(2) 5-meter(5),and 10-meter.  
 Other cable length or cable specifications on request.

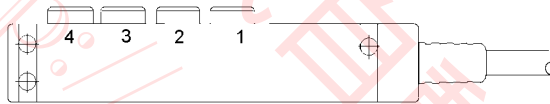
# DISTRIBUTION BOXES **DM8 SERIES** INDEX



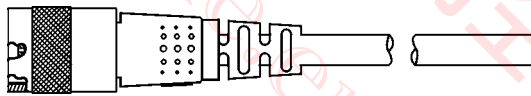
H-112~H-117



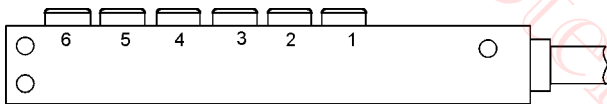
H-118~H120



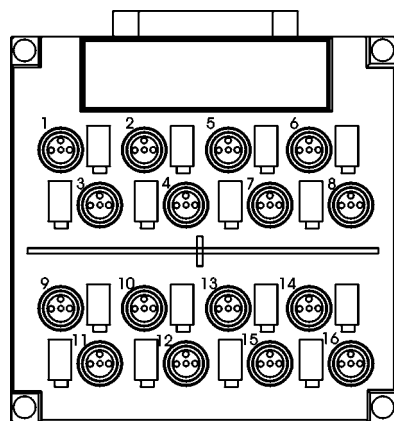
H-121~H-123



H-124~H-125



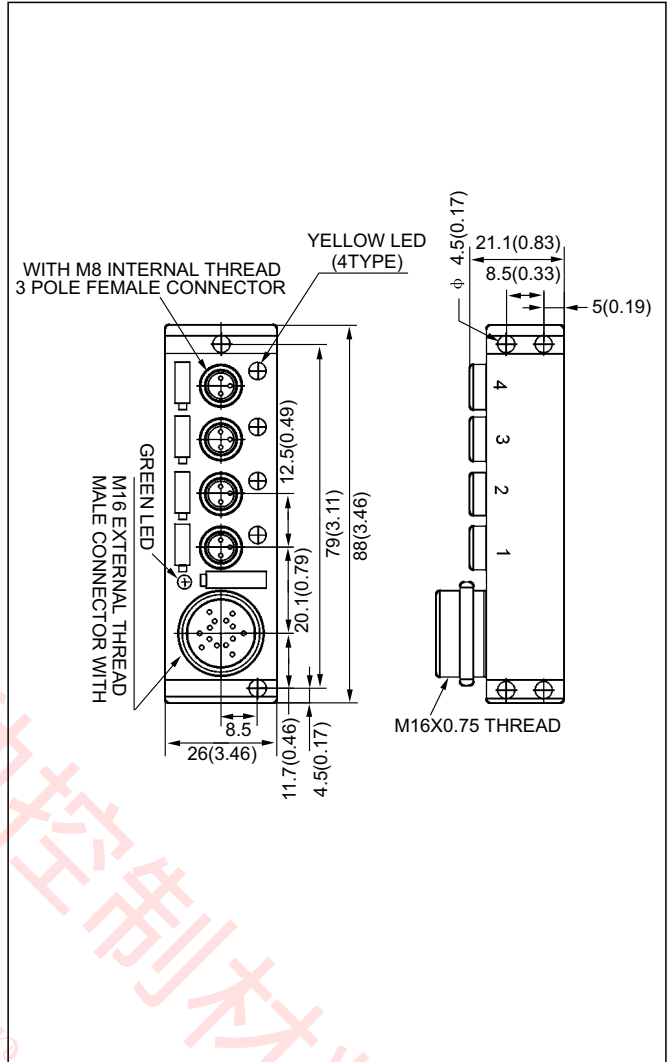
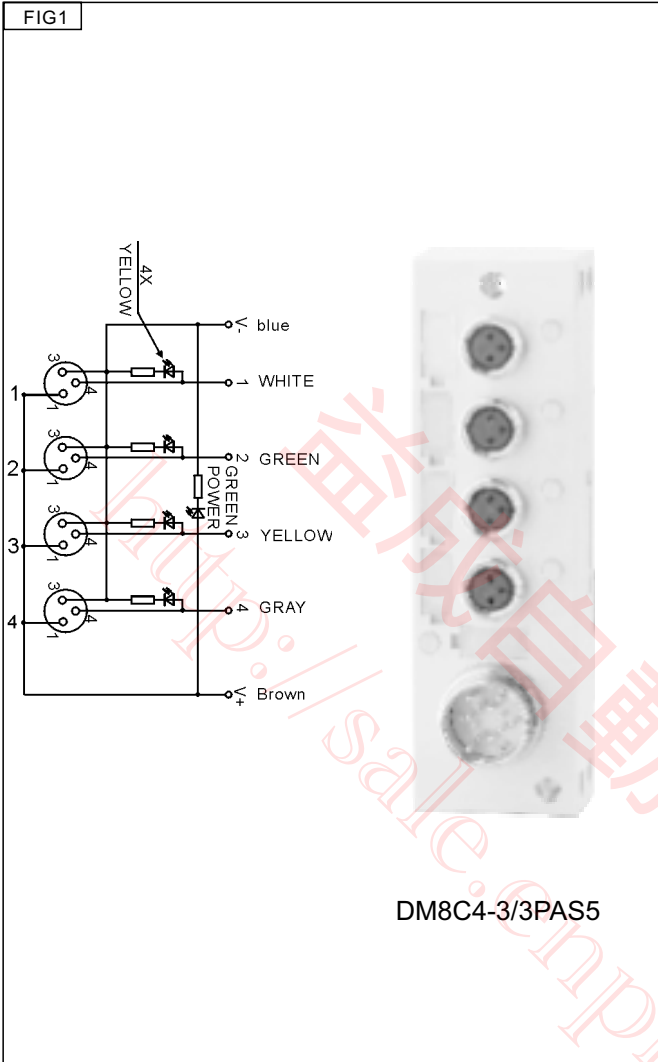
H-126~H-131



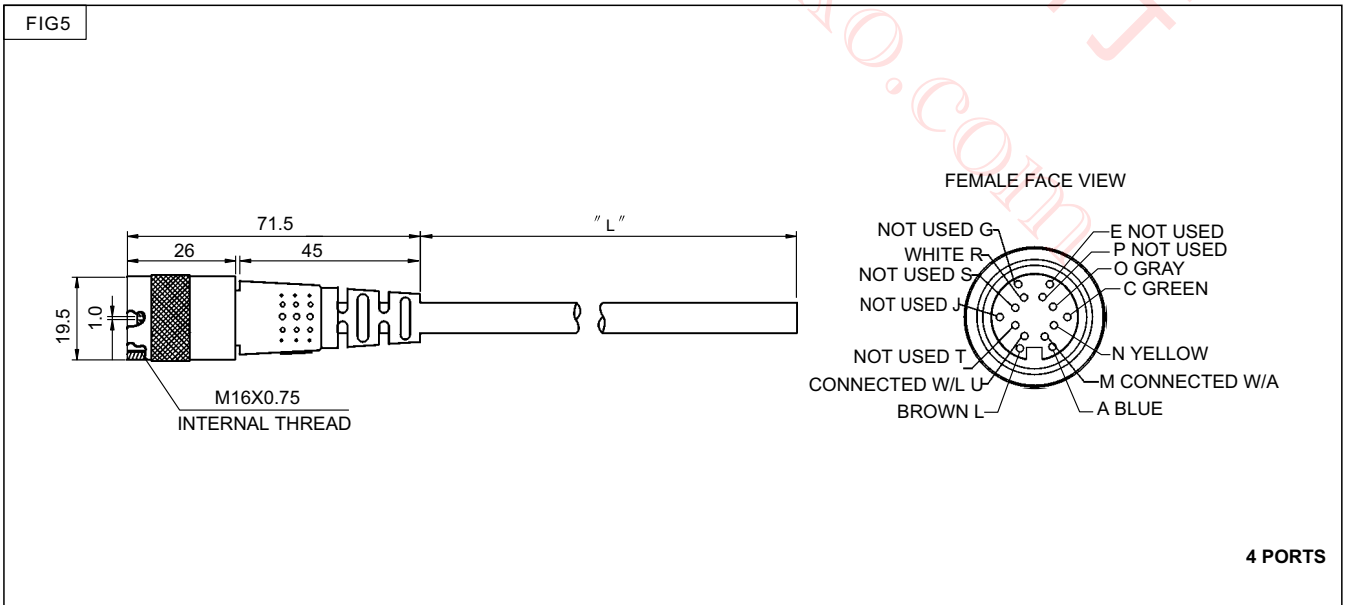
H-132~H-133

# DISTRIBUTION BOXES(DM8-SERIES)

## Mechanicals

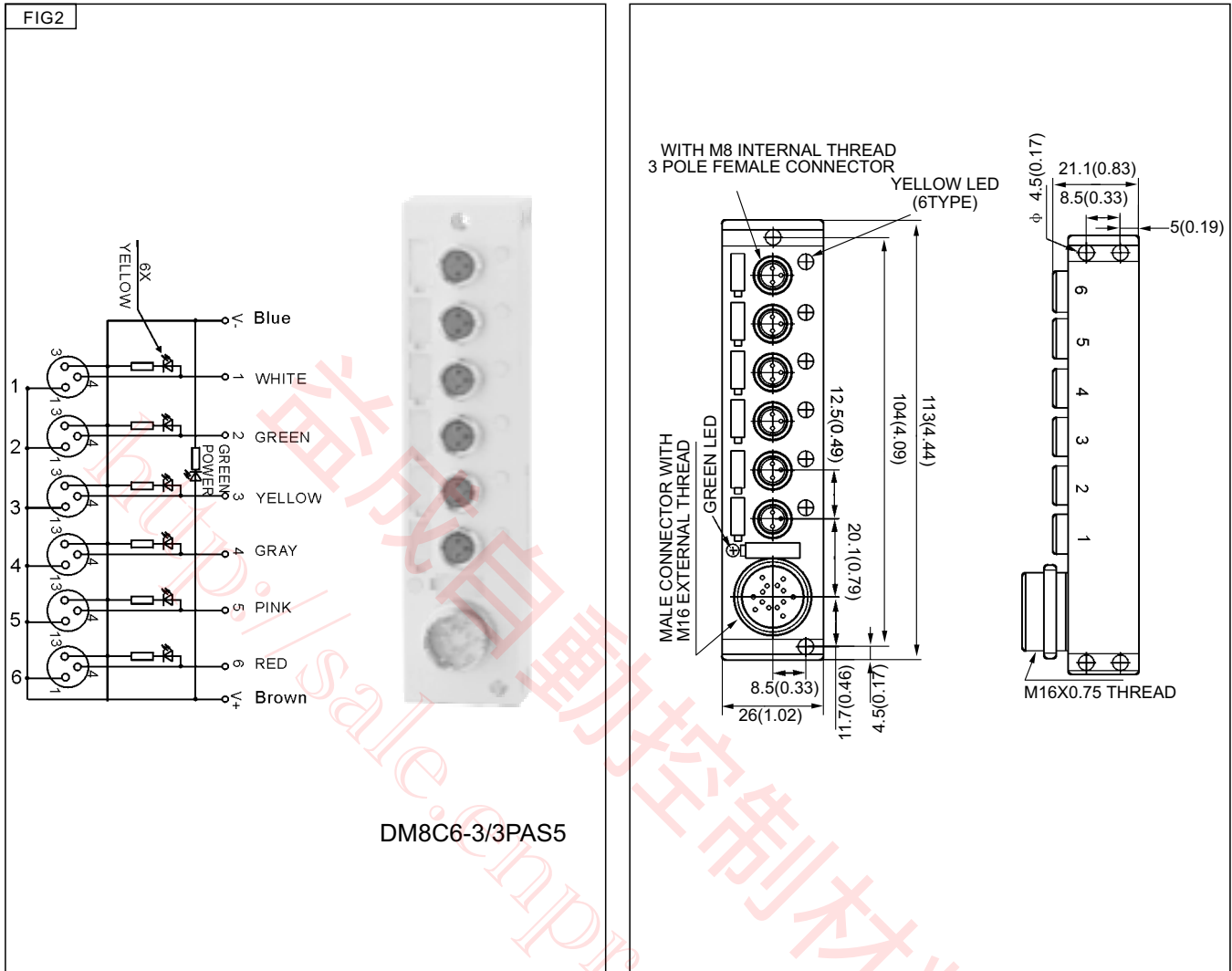


## Control cable mechanicals

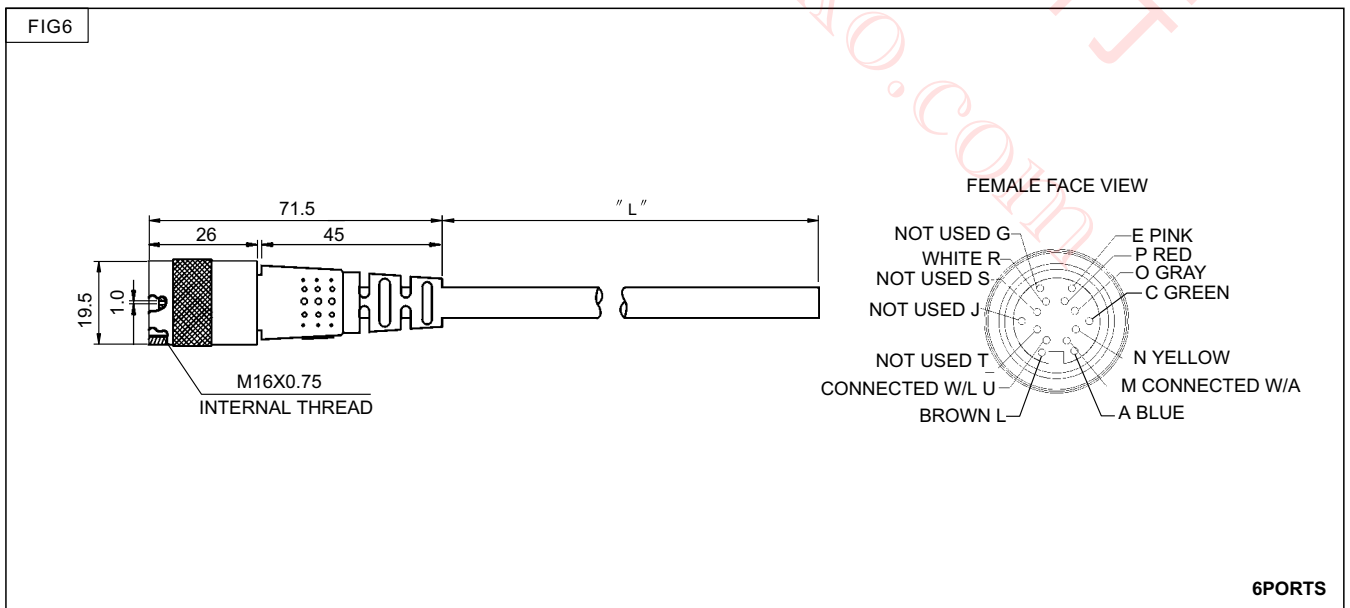


# DISTRIBUTION BOXES(DM8-SERIES)

## Mechanicals



## Control cable mechanicals



# DISTRIBUTION BOXES (DM8-SERIES)

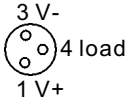
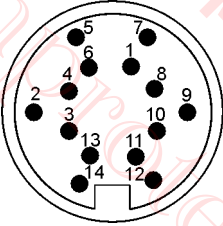
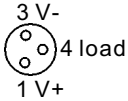
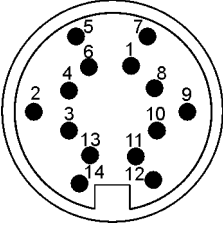
## Description

Top mount, connector with integral home run connector  
 Simplifies wiring installation-integral home run connector, allows for top or side entry of threaded 3p male cordsets connecting to ports for use with 3-wire PNP sensors or 24V DC actuators

## Technical Data

1. Application Class: -13° TO 194° F (-25° TO 90° C)		4. Home run connector cabling			
2. Mechanical		Cable jacket: Black PUR/PVC composite, BLACK PUR			
Insert:	Thermoplastic polyester	<b>4Ports</b>	<b>6Ports</b>	<b>8Ports</b>	<b>10Ports</b>
Housing:	PBT	V(+) and V(-):	2x0.75mm <sup>2</sup>	2x0.75mm <sup>2</sup>	2x0.75mm <sup>2</sup>
Receptacle housing:	Nickel-plated brass	Control:	4x0.34mm <sup>2</sup>	6x0.34mm <sup>2</sup>	8x0.34mm <sup>2</sup>
ID Label:	ABS	Outer			
O-Ring:	Viton	5. Stranding			
3. Electrical		V(+) and V(-):	95x0.1mm	85x0.1mm	95x0.1mm
Voltage rating:	10-30VDC	Control:	42x0.1mm	42x0.1mm	42x0.1mm
Amperage:	2A max/port;6A total per mpis unit	Diameter: PUR:0.28" (7mm)			
Indicating lights:	Green LED-power;Yellow LED-function	6. Stranding			
Average LED life:	100,000 Hours	Protection:	IP 68		

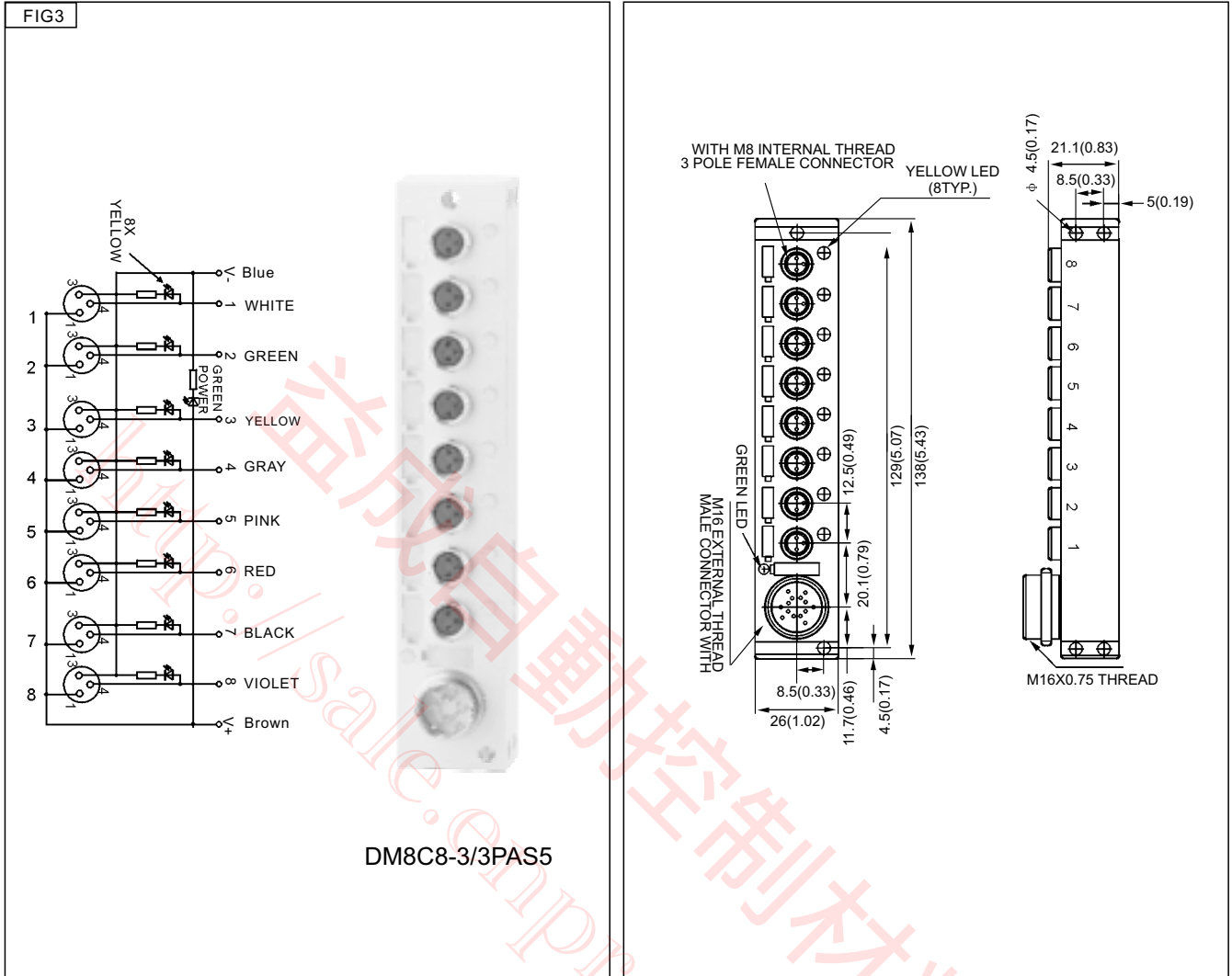
## Order Information

Part Number	Face View Outlets	Face View of Male Plug	Wiring Diagram		FIG
			Outlet Pinon Board Connector		
DM8C4-3/3PAS5			1= white 2= green 3= yellow 4= gray 5= not used 6= not used 7= not used	8= not used 9= not used 10= not used V+11= connected w/l V+12= brown V-13= connected w/a V-14= blue	5
DM8C4-3/3PAS10					
DM8C6-3/3PAS5			1= white 2= green 3= yellow 4= gray 5= pink 6= red 7= not used	8= not used 9= not used 10= not used V+11= connected w/l V+12= brown V-13= connected w/a V-14= blue	6
DM8C6-3/3PAS10					

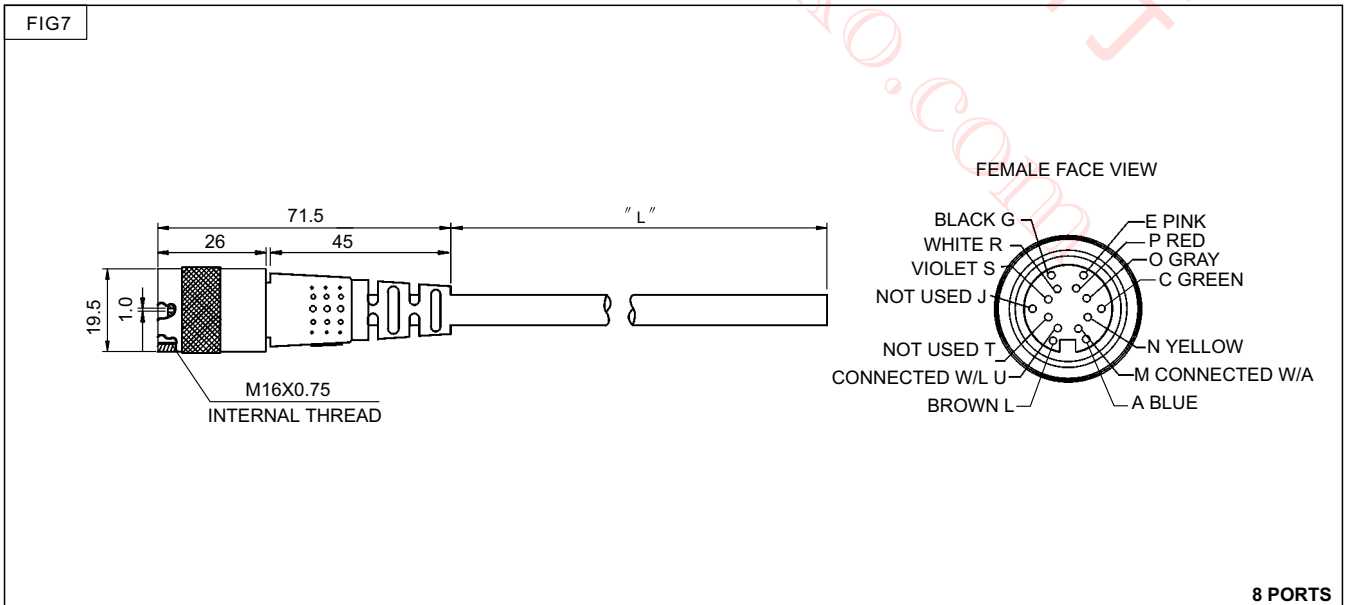


# DISTRIBUTION BOXES(DM8-SERIES)

## Mechanicals

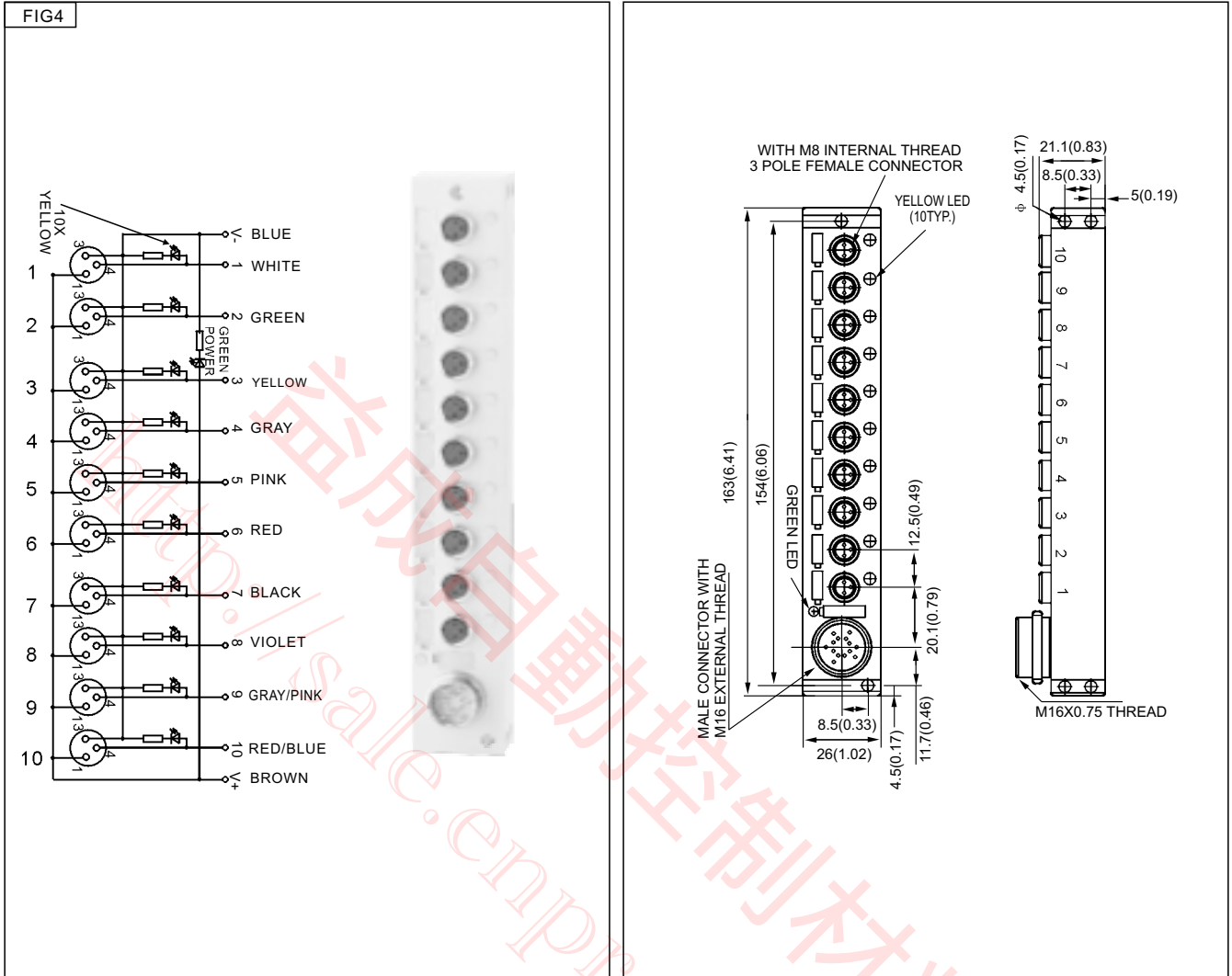


## Control cable mechanicals

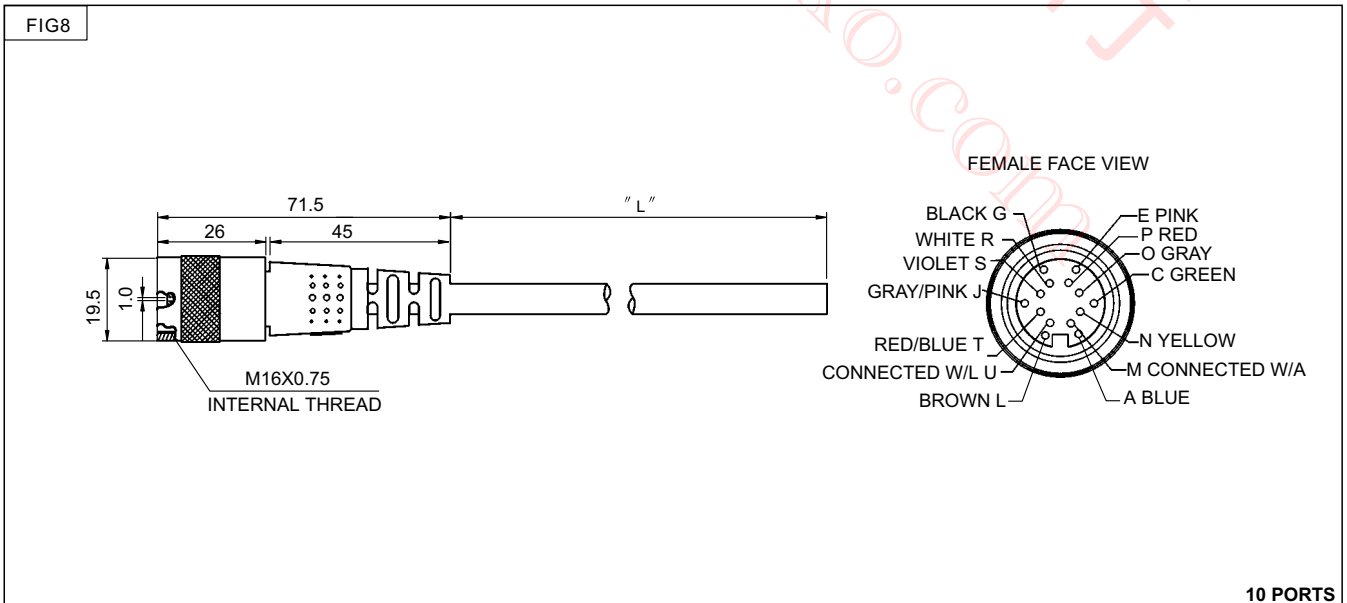


# DISTRIBUTION BOXES(DM8-SERIES)

## Mechanicals



## Control cable mechanicals



10 PORTS

# DISTRIBUTION BOXES (DM8-SERIES)

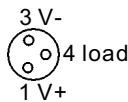
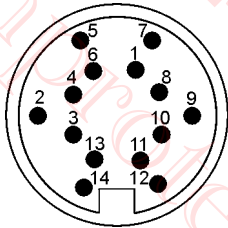
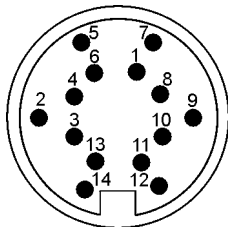
## Description

Top mount, connector with integral home run connector  
 Simplifies wiring installation-integral home run connector, allows for top or side entry of threaded 3p male cordsets connecting to ports for use with 3-wire PNP sensors or 24V DC actuators

## Technical Data

<b>1. Application Class:</b>	-13° TO 194° F (-25° TO 90° C)	<b>4. Home run connector cabling</b>	
<b>2. Mechanical</b>		Cable jacket:	Black PUR/PVC composite, BLACK PUR
Insert:	Thermoplastic polyester	<b>4Ports</b>	<b>6Ports</b>
Housing:	PBT	V(+) and V(-):	2x0.75mm <sup>2</sup> 2x0.75mm <sup>2</sup> 2x0.75mm <sup>2</sup> 2x0.75mm <sup>2</sup>
Receptacle housing:	Nickel-plated brass	Control:	4x0.34mm <sup>2</sup> 6x0.34mm <sup>2</sup> 8x0.34mm <sup>2</sup> Outer
ID Label:	ABS	<b>5. Stranding</b>	
O-Ring:	Viton	V(+) and V(-):	95x0.1mm 85x0.1mm 95x0.1mm 95x0.1mm
<b>3. Electrical</b>		Control:	42x0.1mm 42x0.1mm 42x0.1mm 42x0.1mm
Voltage rating:	10-30VDC	Diameter:	PUR:0.28" (7mm)
Amperage:	2A max/port;6A total per mpis unit	<b>6. Stranding</b>	
Indicating lights:	Green LED-power;Yellow LED-function	Protection:	IP 68
Average LED life:	100,000 Hours		

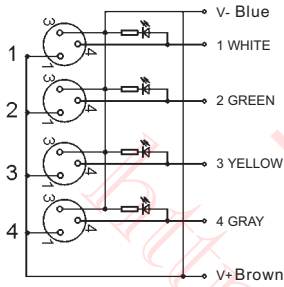
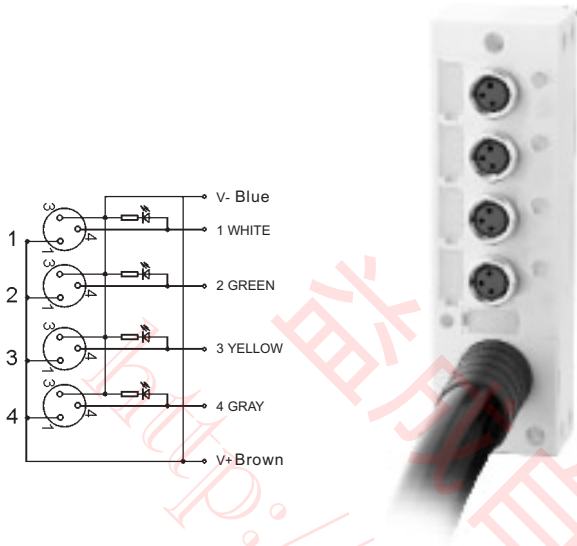
## Order Information

Part Number	Face View Outlets	Face View of Male Plug	Wiring Diagram	FIG
			Outlet Pinon Board Connector	
DM8C8-3/3PAS5			1= white 2= green 3= yellow 4= gray 5= pink 6= red 7= black 8= violet 9= not used 10= not used V+11= connected w/l V+12= brown V-13= connected w/a V-14= blue	7
DM8C8-3/3PAS10			1= white 2= green 3= yellow 4= gray 5= pink 6= red 7= black 8= violet 9= gray/pink 10= red/blue V+11= connected w/l V+12= brown V-13= connected w/a V-14= blue	8
DM8C10-3/3PAS5				
DM8C10-3/3PAS10				

# DISTRIBUTION BOXES(DM8-SERIES)

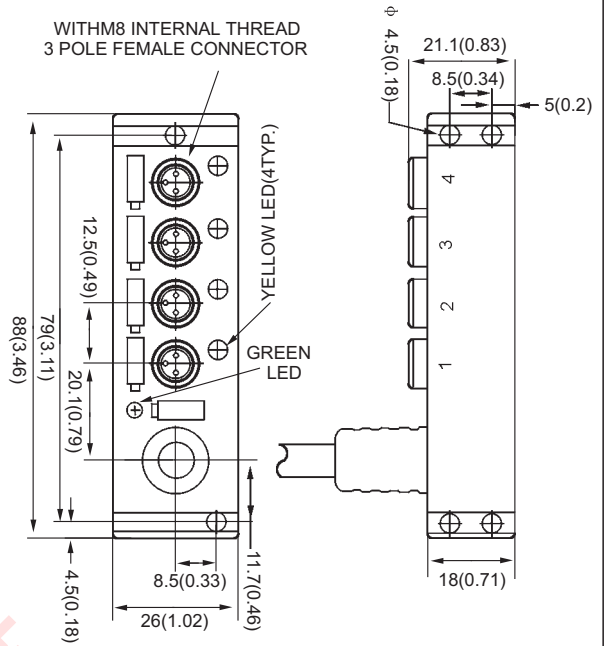
## Mechanicals

### 4 PORTS

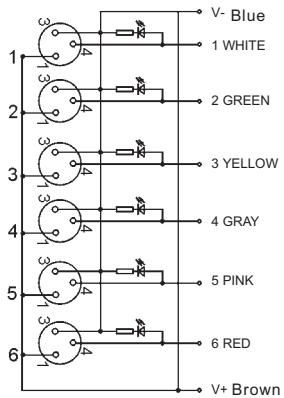
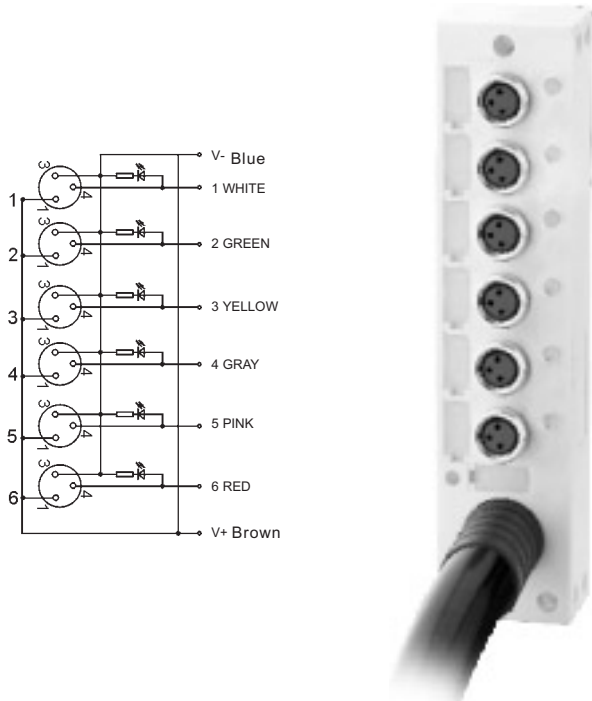


DM8C4-3/3PA-88Txx

WITH M8 INTERNAL THREAD  
3 POLE FEMALE CONNECTOR

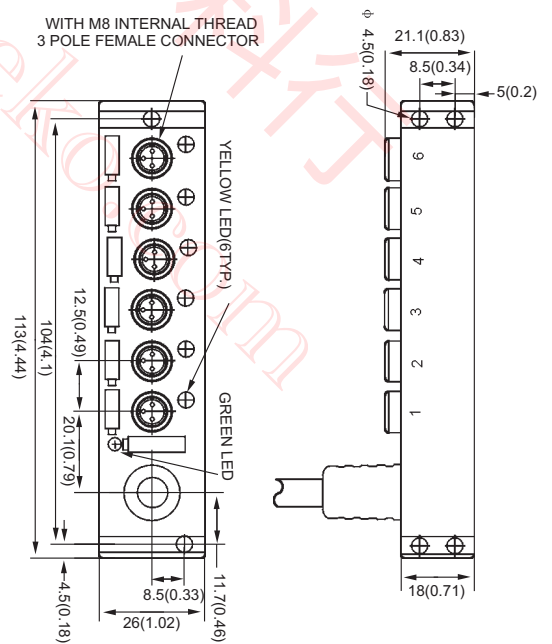


### 6 PORTS



DM8C6-3/3PA-90Txx

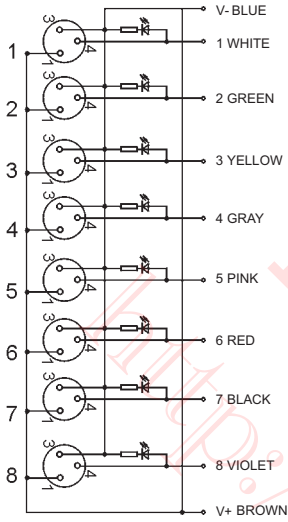
WITH M8 INTERNAL THREAD  
3 POLE FEMALE CONNECTOR



# DISTRIBUTION BOXES(DM8-SERIES)

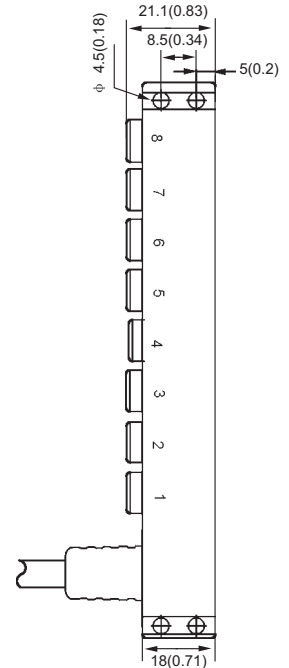
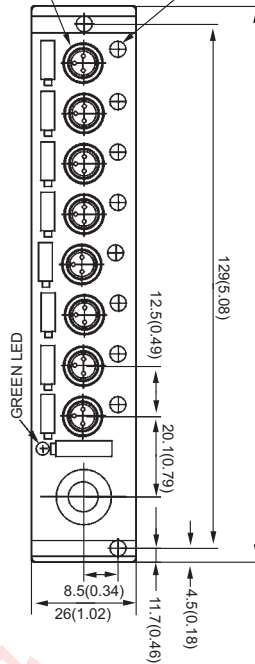
## Mechanicals

### 8 PORTS

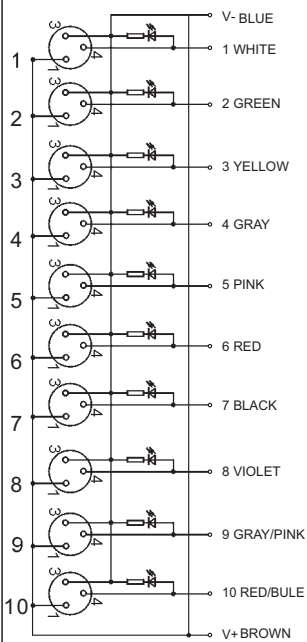


DM8C8-3/3PA-92Txx

WITH M8 INTERNAL THREAD  
3 POLE FEMALE CONNECTOR  
YELLOW LED(8TYP.)

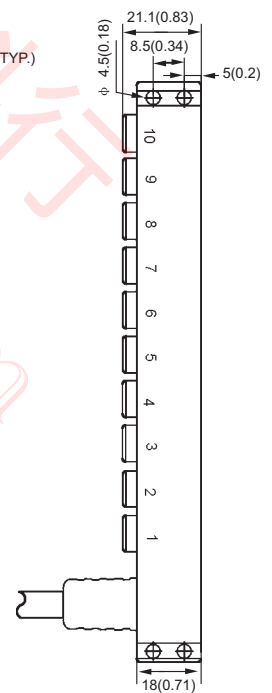
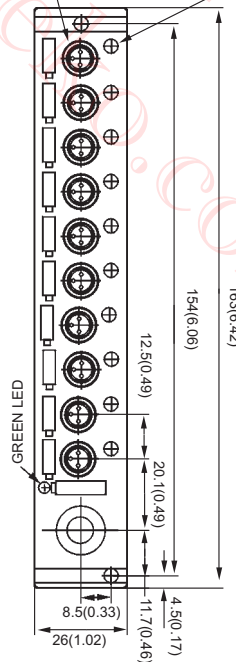


### 10 PORTS



DM8C10-3/3PA-94Txx

3 POLE FEMALE CONNECTOR  
WITH M8 INTERNAL THREAD  
YELLOW LED(10TYP.)



# DISTRIBUTION BOXES (DM8-SERIES) 完成自動控制材料行 www.protek.com.hk

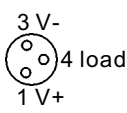
## Description

Simplifies wiring installation-integrated molded PVC or PUR home run cable  
 Allows for top or side entry of threaded 3P male cordsets connecting to ports  
 For use with 3-wire PNP sensors or 24V DC actuators

## Technical Data

<p><b>1. Application Class:</b> -13° TO 194° F(-25° TO 90° C)</p> <p><b>2. Mechanical</b></p> <p>Insert: Thermoplastic polyester              Housing: PBT              Receptacle housing: Nickel-plated brass              ID Label: ABS              O-Ring: Viton</p> <p><b>3. Electrical</b></p> <p>Voltage rating: 10-30VDC              Amperage: 2A max/port;6A total per mpis unit              Indicating lights: Green LED-power;Yellow LED-function              Average LED life: 100,000 Hours</p>	<p><b>4. Home run connector cabling</b></p> <p>Cable jacket: Black PUR/PVC composite, BLACK PUR</p> <table style="width: 100%; border-collapse: collapse;"> <tr> <th style="width: 25%;"></th> <th style="width: 12.5%;">4Ports</th> <th style="width: 12.5%;">6Ports</th> <th style="width: 12.5%;">8Ports</th> <th style="width: 12.5%;">10Ports</th> </tr> <tr> <td>V(+) and V(-):</td> <td>2x0.75mm<sup>2</sup></td> <td>2x0.75mm<sup>2</sup></td> <td>2x0.75mm<sup>2</sup></td> <td>2x0.75mm<sup>2</sup></td> </tr> <tr> <td>Control:</td> <td>4x0.34mm<sup>2</sup></td> <td>6x0.34mm<sup>2</sup></td> <td>8x0.34mm<sup>2</sup></td> <td>10x0.34mm<sup>2</sup></td> </tr> </table> <p><b>5. Stranding</b></p> <p>V(+) and V(-): 95x0.1mm 85x0.1mm 95x0.1mm 95x0.1mm              Control: 42x0.1mm 42x0.1mm 42x0.1mm 42x0.1mm              Diameter: PUR:0.28" (7mm)</p> <p><b>6. Stranding</b></p> <p>Protection: IP 68</p>		4Ports	6Ports	8Ports	10Ports	V(+) and V(-):	2x0.75mm <sup>2</sup>	2x0.75mm <sup>2</sup>	2x0.75mm <sup>2</sup>	2x0.75mm <sup>2</sup>	Control:	4x0.34mm <sup>2</sup>	6x0.34mm <sup>2</sup>	8x0.34mm <sup>2</sup>	10x0.34mm <sup>2</sup>
	4Ports	6Ports	8Ports	10Ports												
V(+) and V(-):	2x0.75mm <sup>2</sup>	2x0.75mm <sup>2</sup>	2x0.75mm <sup>2</sup>	2x0.75mm <sup>2</sup>												
Control:	4x0.34mm <sup>2</sup>	6x0.34mm <sup>2</sup>	8x0.34mm <sup>2</sup>	10x0.34mm <sup>2</sup>												

## Order Information

Part Number	Poles	Cable Type	Cable Type	
			Lead(mm <sup>2</sup> )	Outer Jacket
DM8C4-3/3PA-88Txx		1= white 2= green 3= yellow 4= gray V+= brown V-= blue		PVC/PUR
DM8C4-3/3PA-89Txx				PUR
DM8C6-3/3PA-90Txx		1= white 2= green 3= yellow 4= gray 5= pink 6= red	V+= brown V-= blue	PVC/PUR
DM8C6-3/3PA-91Txx				PUR
DM8C8-3/3PA-92Txx		1= white 2= green 3= yellow 4= gray 5= pink 6= red 7= black	8= violet V+= brown V-= blue	PVC/PUR
DM8C8-3/3PA-93Txx				PUR
DM8C10-3/3PA-94Txx		1= white 2= green 3= yellow 4= gray 5= pink 6= red 7= black	8= violet 9= gray/pink 10= red/blue V+= brown V-= blue	PVC/PUR
DM8C10-3/3PA-95Txx				PUR

# DISTRIBUTION BOXES(DM8-SERIES)

## Mechanicals

The image shows a vertical distribution box with four ports. To the left is a wiring diagram with terminals labeled 1 through 4. Terminal 1 is connected to V-BLUE, terminal 2 to 1 WHITE, terminal 3 to 2 GREEN, and terminal 4 to 3 YELLOW. A common terminal is connected to 4 GRAY and V+ BROWN. A yellow LED is connected to terminals 3 and 4. The box is labeled DM8C4-3/3PA-88xx.

**4 PORTS**

3 POLE FEMALE CONNECTOR WITH M8 INTERNAL THREAD

YELLOW LED (4TYP.)

GREEN LED

Dimensions: 26(1.02), 8.5(0.34), 11.5(0.45), 31.8(1.25), 78.9(3.11), 95(3.74), 12.5(0.49), 21.1(0.83), 8.5(0.34), 5(0.2),  $\phi$  4.5(0.18).

The image shows a vertical distribution box with six ports. To the left is a wiring diagram with terminals labeled 1 through 6. Terminal 1 is connected to V-BLUE, terminal 2 to 1 WHITE, terminal 3 to 2 GREEN, terminal 4 to 3 YELLOW, terminal 5 to 4 GRAY, and terminal 6 to 5 PINK. A common terminal is connected to 6 RED and V+ BROWN. A yellow LED is connected to terminals 3 and 4. The box is labeled DM8C6-3/3PA-90xx.

**6 PORTS**

WITH M8 INTERNAL THREAD 3 POLE FEMALE CONNECTOR

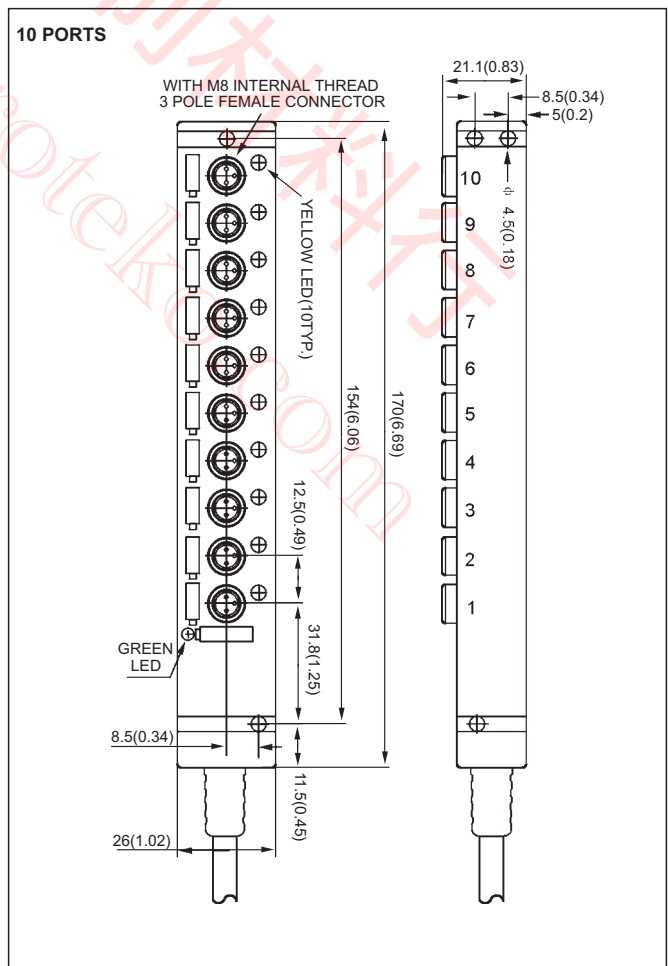
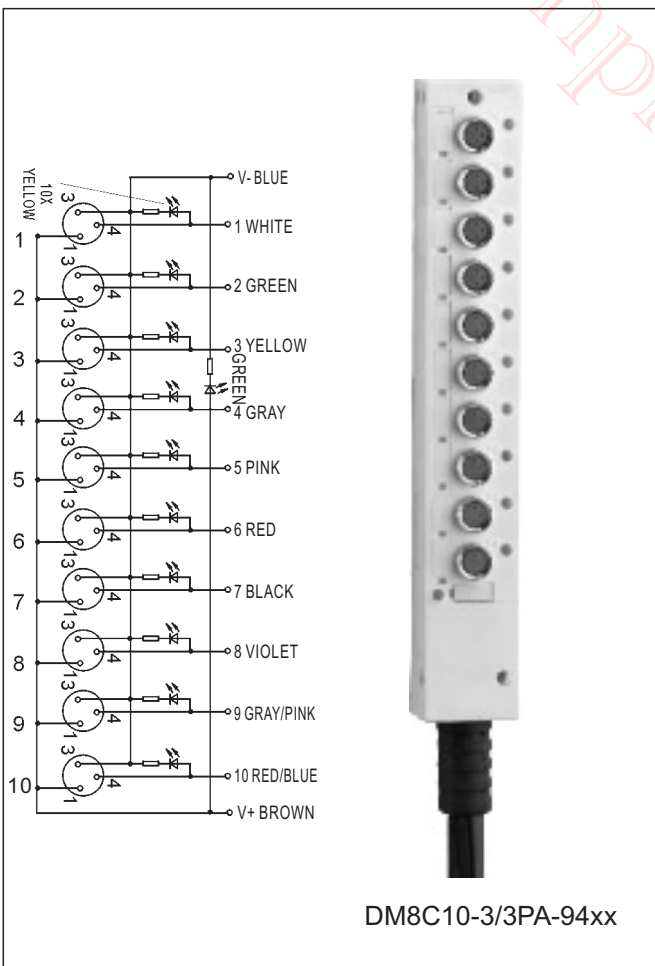
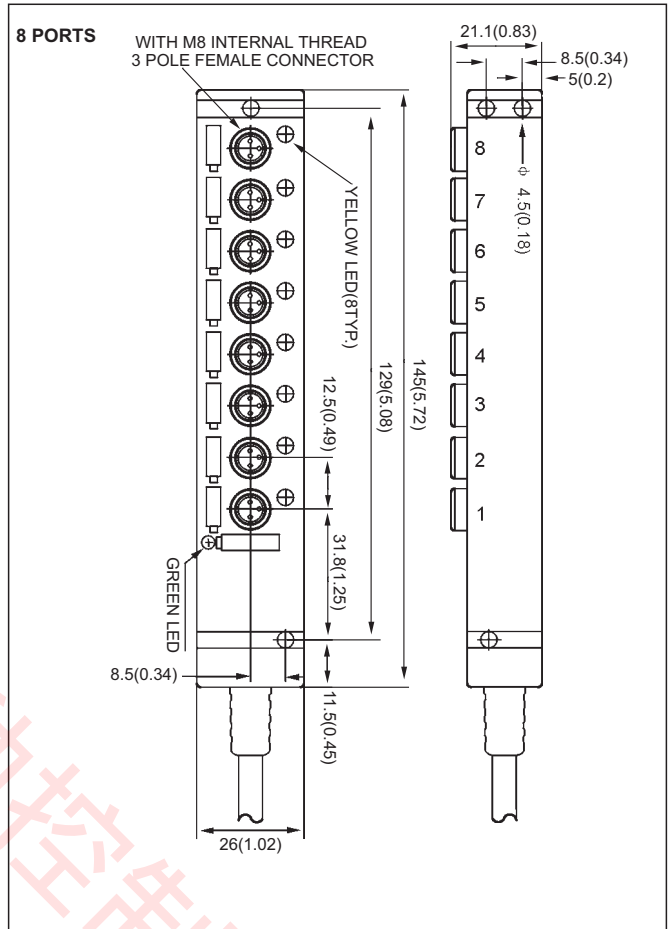
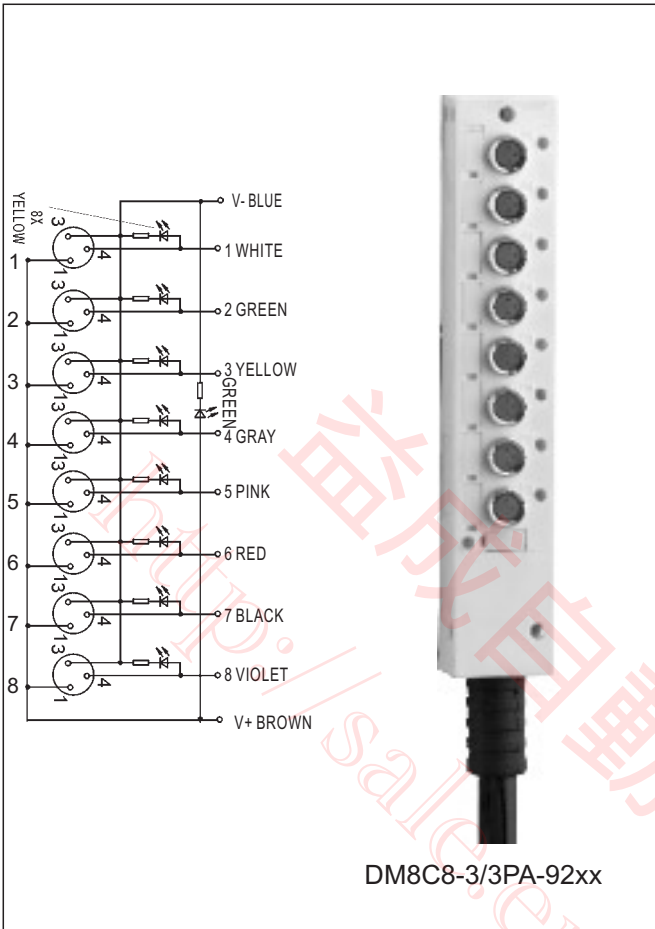
YELLOW LED(6TYP.)

GREEN LED

Dimensions: 26(1.02), 8.5(0.34), 11.5(0.45), 31.8(1.25), 103.9(4.09), 119.9(4.72), 12.5(0.49), 21.1(0.83), 8.5(0.34), 5(0.2),  $\phi$  4.5(0.18).

# DISTRIBUTION BOXES(DM8-SERIES)

## Mechanicals





## Description

Simplifies wiring installation-integrated PUR/PVC or PUR home run cable  
 Allows for top or side entry of threaded 3P male cordsets connecting to ports  
 For use with 3-wire PNP sensors or 24V DC actuators

## Technical Data

1. Application Class: -13° TO 194° F (-25° TO 90° C)

### 2. Mechanical

Insert: Thermoplastic polyester  
 Housing: PBT  
 Receptacle housing: Nickel-plated brass  
 ID Label: ABS  
 O-Ring: Viton

### 3. Electrical

Voltage rating: 10-30VDC  
 Amperage: 2A max/port;6A total per mpis unit  
 Indicating lights: Green LED-power;Yellow LED-function  
 Average LED life: 100,000 Hours

### 4. Home run connector cabling

Cable jacket: Black PUR/PVC composite, BLACK PUR

	4Ports	6Ports	8Ports	10Ports
V(+) and V(-):	2x0.75mm <sup>2</sup>	2x0.75mm <sup>2</sup>	2x0.75mm <sup>2</sup>	2x0.75mm <sup>2</sup>
Control:	4x0.34mm <sup>2</sup>	6x0.34mm <sup>2</sup>	8x0.34mm <sup>2</sup>	10x0.34mm <sup>2</sup>

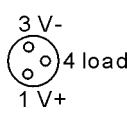
### 5. Stranding

	4Ports	6Ports	8Ports	10Ports
V(+) and V(-):	95x0.1mm	85x0.1mm	95x0.1mm	95x0.1mm
Control:	42x0.1mm	42x0.1mm	42x0.1mm	42x0.1mm
Diameter:	PUR:0.28" (7mm)			

### 6. Stranding

Protection: IP 68

## Order Information

Part Number	Poles	Cable Type	Cable Type			
			Lead(mm <sup>2</sup> )	Outer Jacket		
DM8C4-3/3PA-88xx		1= white 2= green 3= yellow 4= gray V+= brown V-= blue	V+ and V- 0.75mm <sup>2</sup>	PVC/PUR		
DM8C4-3/3PA-89xx				PUR		
DM8C6-3/3PA-90xx		1= white 2= green 3= yellow 4= gray 5= pink 6= red V+= brown V-= blue		Control 0.34mm <sup>2</sup>	PVC/PUR	
DM8C6-3/3PA-91xx					PUR	
DM8C8-3/3PA-92xx		1= white 2= green 3= yellow 4= gray 5= pink 6= red 7= black 8= violet V+= brown V-= blue			φ 7.0	PVC/PUR
DM8C8-3/3PA-93xx						PUR
DM8C10-3/3PA-94xx		1= white 2= green 3= yellow 4= gray 5= pink 6= red 7= black 8= violet 9= gray/pink 10= red/blue V+= brown V-= blue				PVC/PUR
DM8C10-3/3PA-95xx						

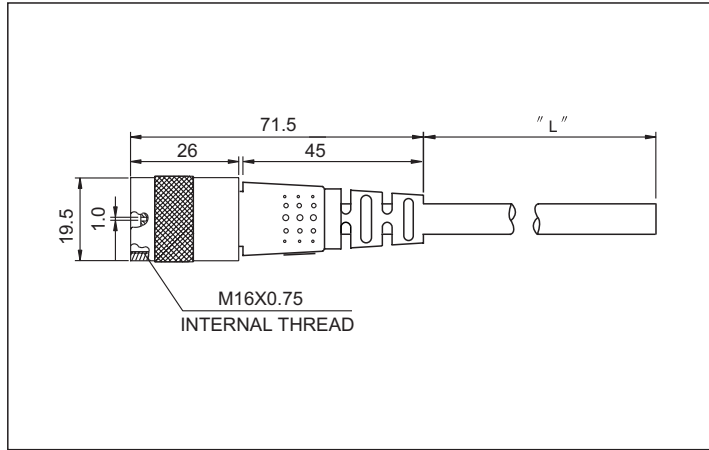
# QUICK DISCONNECT CABLE---DISTRIBUTION BOXES(DM8-SERIES)

## View



- With locknut and Moulded cable
- Black

## Dimensional data



## Technical Data

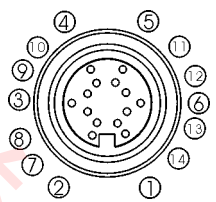
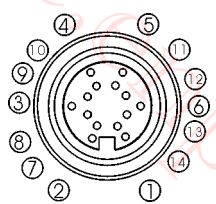
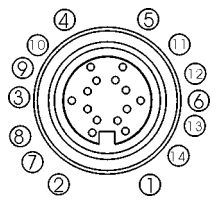
Application Class:	GNA acc. to DIN 40040 (-40 °C / +90 °C / ≤ 100%)	Insertion Force/Contact:	≤ 3N
Moulded Body:	TPU, self-extinguishing	Withdrawal Force/Contact:	≥ 1N
Nominal Power:	2+3poles 12A/ 4+5poles 9A	Protection:	IP 68
Nominal Voltage:	250VAC	Water Pressure Resistance:	10 bar
Body:	TPU, self-extinguishing	Insulation Group:	C acc.to VDE 0110
locking Nut:	Nickel plated brass	Contact Resistance:	≤ 5m Ω
Contact:	CuZn, 3 microns silver-plated and 0.25 microns gold-plated	Test Voltage:	2+3poles, 2.5 KV eff./60s. 4+5poles, 1.5 KV eff./60s.
		Insulation Resistance:	>10 <sup>9</sup> Ω

## Catalog Number

Part-No	Poles	Face View female	Color Code	Conductors		Outer Jacket	
				Guage	Stranding	φ mm	Material
Z-FS8KAV772	8		1=white 2=brown 3=green 4=yellow 5=grey 6=pink 7=blue 8=red	0.34mm <sup>2</sup>	40 x φ0.10	8.0	PVC
				0.75mm <sup>2</sup> (Brown&Blue)	95 x φ0.10 (Brown&Blue)		
Z-FS14/8KAV1062	14		1=blue 2=brown 3=not used 4=not used 5=not used 6=green 7=connected w/l 8=not used 9=not used 10=white 11=not used 12=gray 13=yellow 14=connected w/a	0.34mm <sup>2</sup>	40 x φ0.10	9.5	PVC
				0.75mm <sup>2</sup> (Brown&Blue)	95 x φ0.10 (Brown&Blue)		

Standard length: 2.0 m and 5.0 m. Other cable length or cable specifications on request.

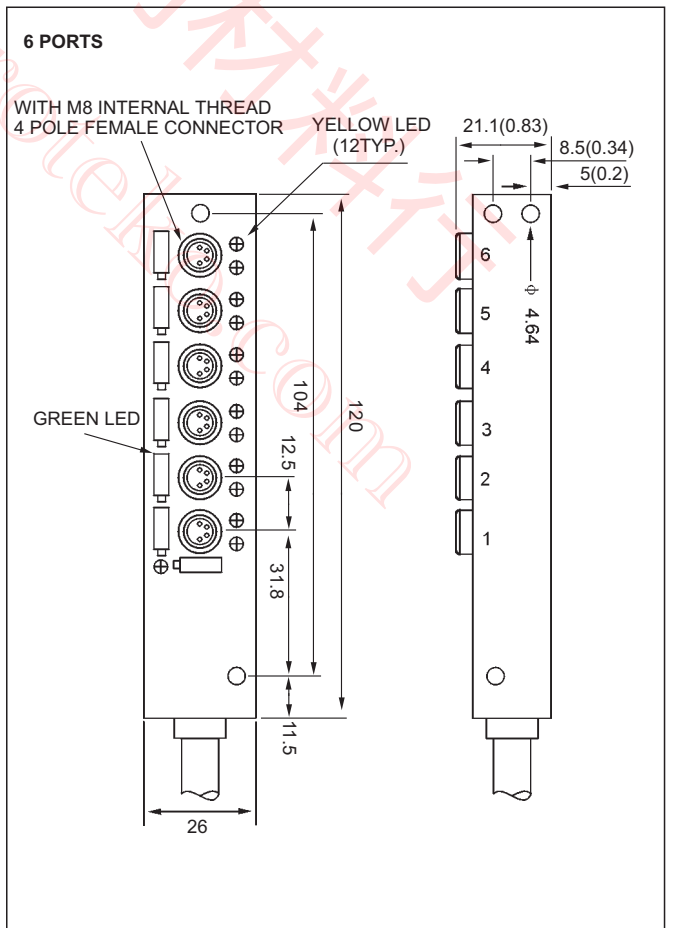
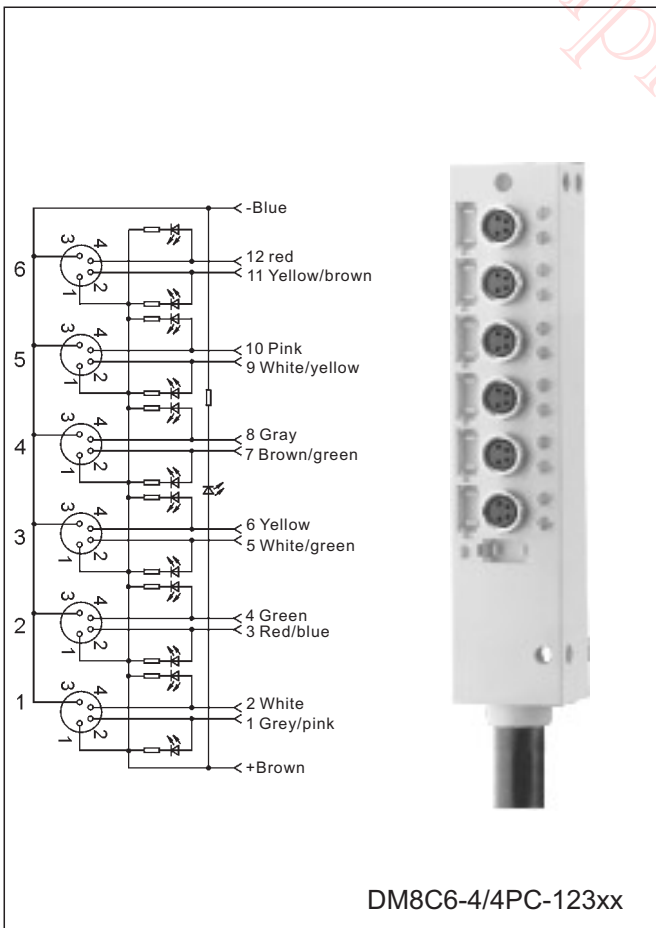
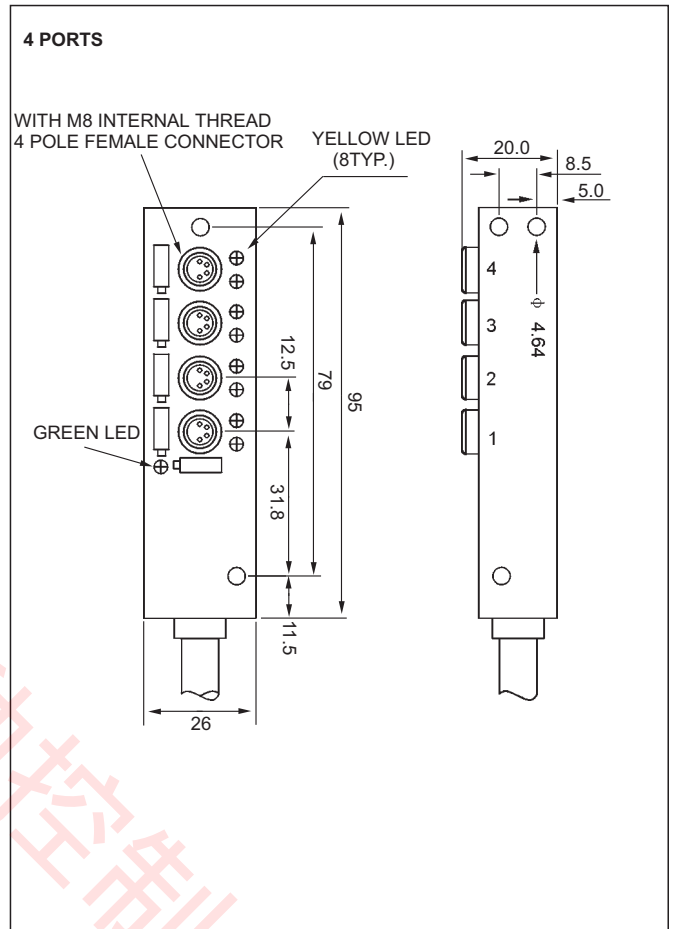
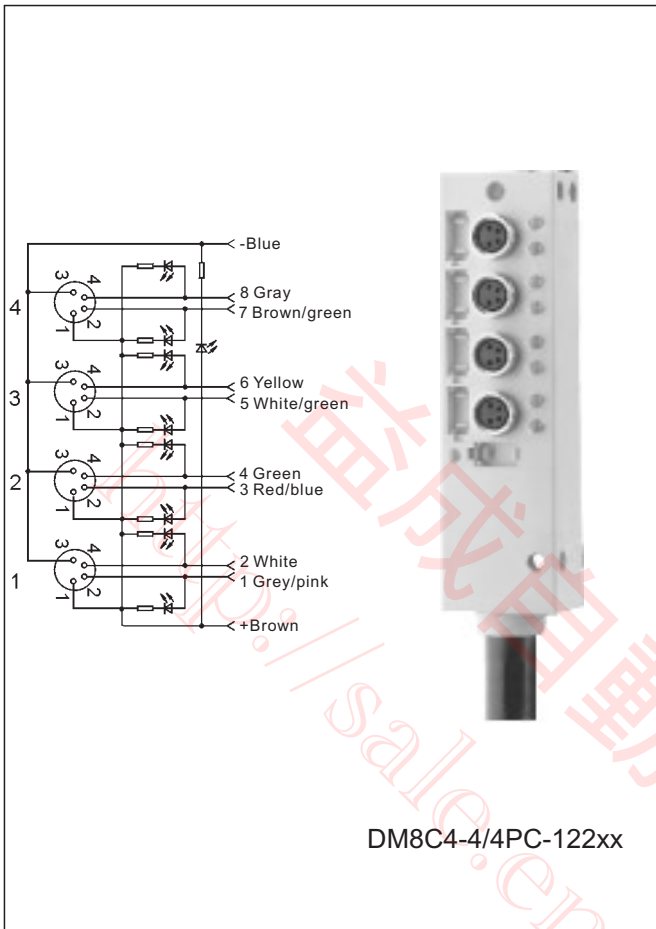
# QUICK DISCONNECT CABLE---DISTRIBUTION BOXES(DM8-SERIES)

Catalog Number							
Part-No	Poles	Face View female	Color Code	Conductors		Outer Jacket	
				Guage	Stranding	φ mm	Material
Z-FS14/10KAV1072	14		1=blue 2=brown 3=not used 4=not used 5=pink 6=green 7=connected w/ 8=not used 9=not used 10=white 11=red 12=gray 13=yellow 14=connected w/a	0.34mm <sup>2</sup>	40 x φ0.10	9.5	PVC
				0.75mm <sup>2</sup> (Brown&Blue)	95 x φ0.10 (Brown&Blue)		
Z-FS14/12KAV1082	14		1=blue 2=brown 3=not used 4=black 5=pink 6=green 7=connected w/ 8=not used 9=violet 10=white 11=red 12=gray 13=yellow 14=connected w/a	0.34mm <sup>2</sup>	40 x φ0.10	9.5	PVC
				0.75mm <sup>2</sup> (Brown&Blue)	95 x φ0.10 (Brown&Blue)		
Z-FS14/13KAV1172	14		1=blue 2=brown 3=gray/pink 4=black 5=pink 6=green 7=connected w/ 8=red/blue 9=violet 10=white 11=red 12=gray 13=yellow 14=connected w/a	0.34mm <sup>2</sup>	40 x φ0.10	9.5	PVC
				0.75mm <sup>2</sup> (Brown&Blue)	95 x φ0.10 (Brown&Blue)		

Standard length: 2.0 m and 5.0 m. Other cable length or cable specifications on request.

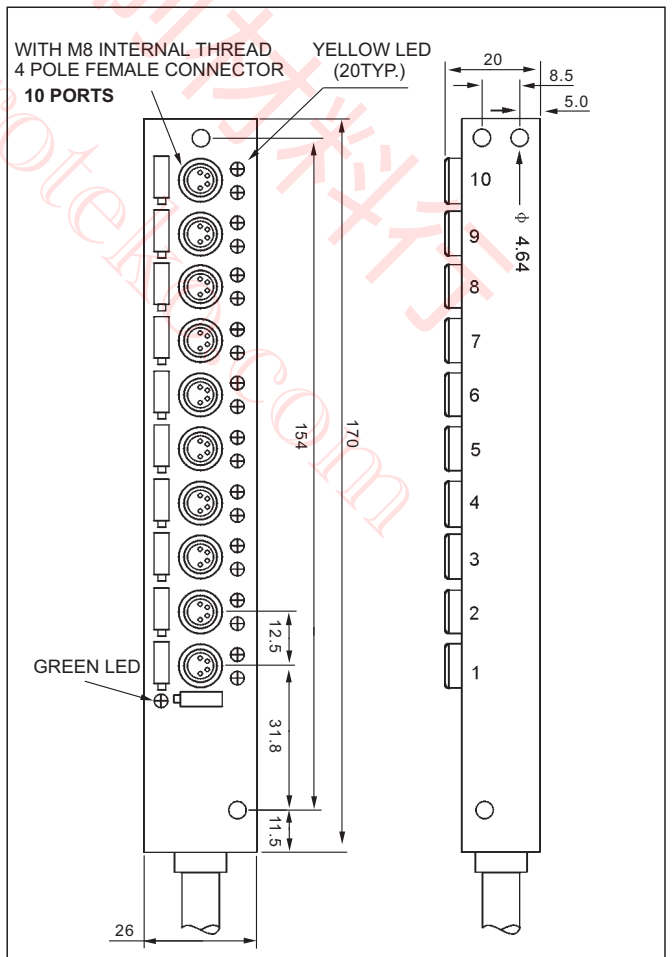
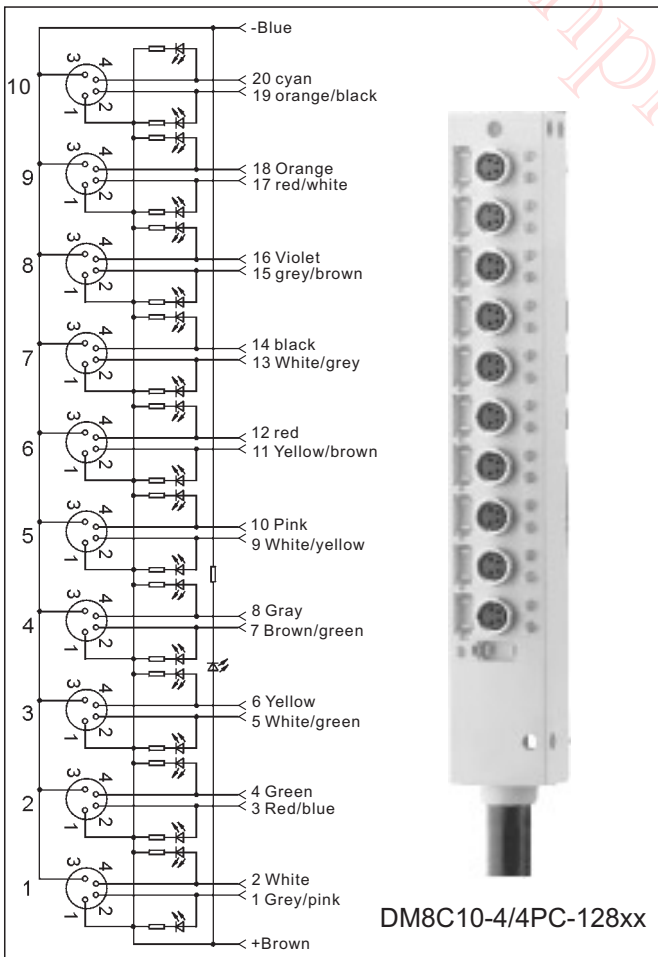
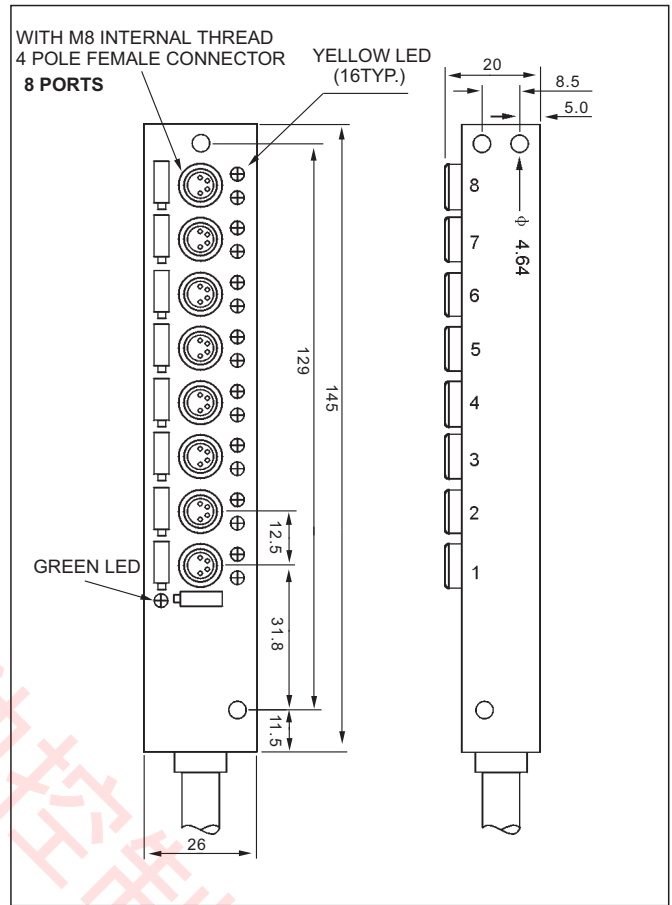
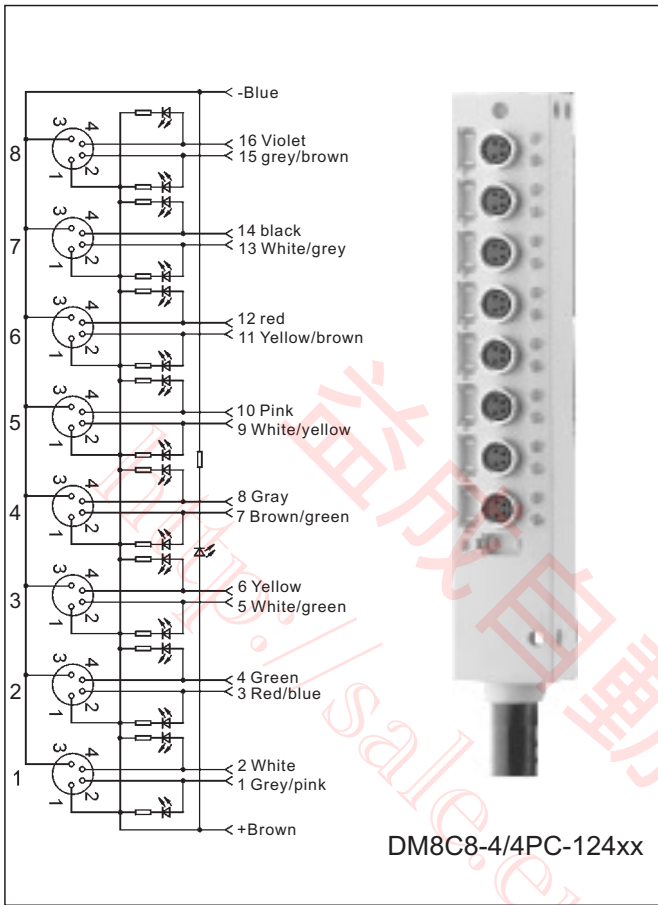
# DISTRIBUTION BOXES(DM8-4PIN PNP SERIES)

## Mechanicals



# DISTRIBUTION BOXES(DM8-4PIN PNP SERIES)

## Mechanicals



# DISTRIBUTION BOXES(DM8-4PIN PNP SERIES)

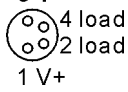
## Description

Simplifies wiring installation-integrated molded PVC or PUR home run cable  
 Allows for top or side entry of threaded 4P male cordsets connecting to ports  
 For use with 4-wire PNP sensors or 24V DC actuators

## Technical Data

<b>1. Application Class:</b> -5° TO 194° F(-25° TO 90° C)		<b>4. Home run connector cabling</b>			
<b>2. Mechanical</b>		Cable jacket: Black PUR/PVC composite, BLACK PUR			
Insert:	Thermoplastic polyester	<b>4Ports</b>	<b>6Ports</b>	<b>8Ports</b>	<b>10Ports</b>
Housing:	PBT	V(+) and V(-):	2x0.75mm <sup>2</sup>	2x0.75mm <sup>2</sup>	2x0.75mm <sup>2</sup>
Receptacle housing:	Nickel-plated brass	Control:	4x0.34mm <sup>2</sup>	6x0.34mm <sup>2</sup>	8x0.34mm <sup>2</sup>
ID Label:	ABS	<b>5. Stranding</b>			
O-Ring:	Viton	V(+) and V(-):	42x0.15mm	42x0.15mm	42x0.15mm
<b>3. Electrical</b>		Control:	42x0.10mm	42x0.10mm	42x0.10mm
Voltage rating:	300V	Diameter: PUR:11.5			
Amperage:	2A max/port;6A total per mpis unit	<b>6. Stranding</b>			
Indicating lights:	Green LED-power;Yellow LED-function	Protection:	IP 68		
Average LED life:	100,000 Hours				

## Order Information

Part Number	Poles	Cable Type	Cable Type	
			Lead(mm <sup>2</sup> )	Outer Jacket
DM8C4-4/4PC-122xx	3 V-  4 load 2 load 1 V+	1 =Grey/pink 2 =White 3= Red/blue 4= Green 5= White/green 6 =Yellow 7 = Brown/green 8= Gray V+=Brown V-=Blue Ground=yellow/green	V+ and V- 0.75mm <sup>2</sup>  Control 0.34mm <sup>2</sup>	PVC/PUR
DM8C4-4/4PC-125xx				PUR
DM8C6-4/4PC-123xx		1= Grey/pink 2= White 3 =Red/blue 4 =Green 5 =White/green 6 =Yellow 7 =Brown/green 8 =Gray 9 =White/yellow 10 =Pink 11 =Yellow/brown 12 =red V+=Brown V-=Blue Ground=yellow/ green		PVC/PUR
DM8C6-4/4PC-126xx				PUR
DM8C8-4/4PC-124xx		1= Grey/pink 2= White 3= Red/blue 4= Green 5 =White/green 6 =Yellow 7 =Brown/green 8 =Gray 9 =White/yellow 10 =Pink 11 =Yellow/brown 12= red 13 =White/grey 14 =black 15 =grey/brown 16 =Violet V+=Brown V-=Blue Ground=yellow/ green		PVC/PUR
DM8C8-4/4PC-127xx				PUR
DM8C10-4/4PC-128xx		1= Grey/pink 2= White 3= Red/blue 4= Green 5 =White/green 6 =Yellow 7 =Brown/green 8 =Gray 9 =White/yellow 10 =Pink 11 =Yellow/brown 12= red 13 =White/grey 14 =black 15 =grey/brown 16 =Violet 17 =red/white 18 =orange 19 =orange/black 20 =cyan V+=Brown V-=Blue Ground=yellow/ green		PVC/PUR
DM8C10-4/4PC-129xx				PUR

# DISTRIBUTION BOXES(DM8-4PIN NPN SERIES)

## Mechanicals

Wiring diagram for DM8C4-4/4NC-122xx showing 4 channels (1-4) with 4 pins each. Channel 1: 1 Grey/pink, 2 White, 3 Red/blue, 4 Green. Channel 2: 1 Grey/pink, 2 White, 3 Red/blue, 4 Green. Channel 3: 1 Grey/pink, 2 White, 3 Red/blue, 4 Green. Channel 4: 1 Grey/pink, 2 White, 3 Red/blue, 4 Green. Common lines: 1 Grey/pink, 2 White, 3 Red/blue, 4 Green, 5 White/green, 6 Yellow, 7 Brown/green, 8 Gray, 9 Blue, 10 Brown.

**DM8C4-4/4NC-122xx**

**4 PORTS**

WITH M8 INTERNAL THREAD 4 POLE FEMALE CONNECTOR

YELLOW LED (8TYP.)

GREEN LED

Dimensions: 26mm width, 11.5mm bottom offset, 12.5mm LED spacing, 31.8mm LED length, 79mm LED height, 95mm total height, 20.0mm top offset, 8.5mm LED diameter, 5.0mm LED height, 4.64mm LED pitch, 11.5mm bottom offset.

Wiring diagram for DM8C6-4/4NC-123xx showing 6 channels (1-6) with 4 pins each. Channel 1: 1 Grey/pink, 2 White, 3 Red/blue, 4 Green. Channel 2: 1 Grey/pink, 2 White, 3 Red/blue, 4 Green. Channel 3: 1 Grey/pink, 2 White, 3 Red/blue, 4 Green. Channel 4: 1 Grey/pink, 2 White, 3 Red/blue, 4 Green. Channel 5: 1 Grey/pink, 2 White, 3 Red/blue, 4 Green. Channel 6: 1 Grey/pink, 2 White, 3 Red/blue, 4 Green. Common lines: 1 Grey/pink, 2 White, 3 Red/blue, 4 Green, 5 White/green, 6 Yellow, 7 Brown/green, 8 Gray, 9 Blue, 10 Brown, 11 Yellow/brown, 12 Red.

**DM8C6-4/4NC-123xx**

**6 PORTS**

WITH M8 INTERNAL THREAD 4 POLE FEMALE CONNECTOR

YELLOW LED (12TYP.)

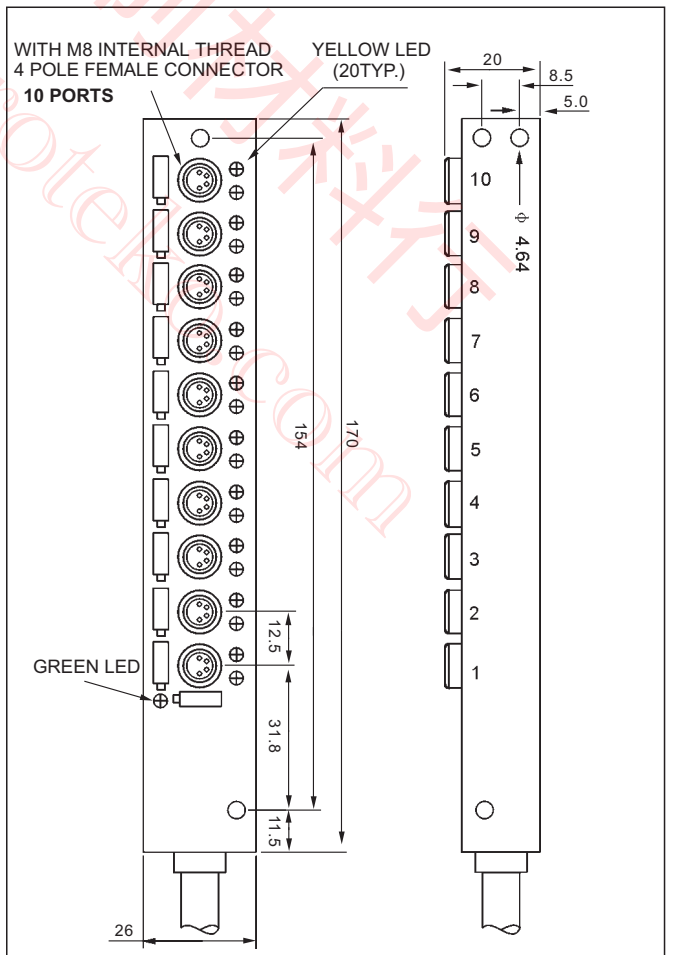
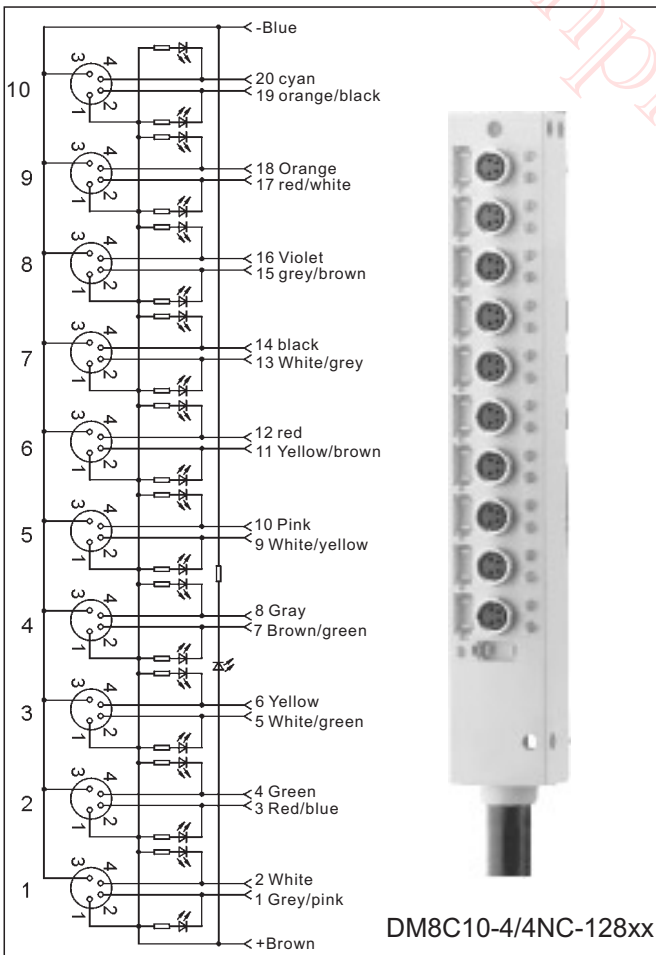
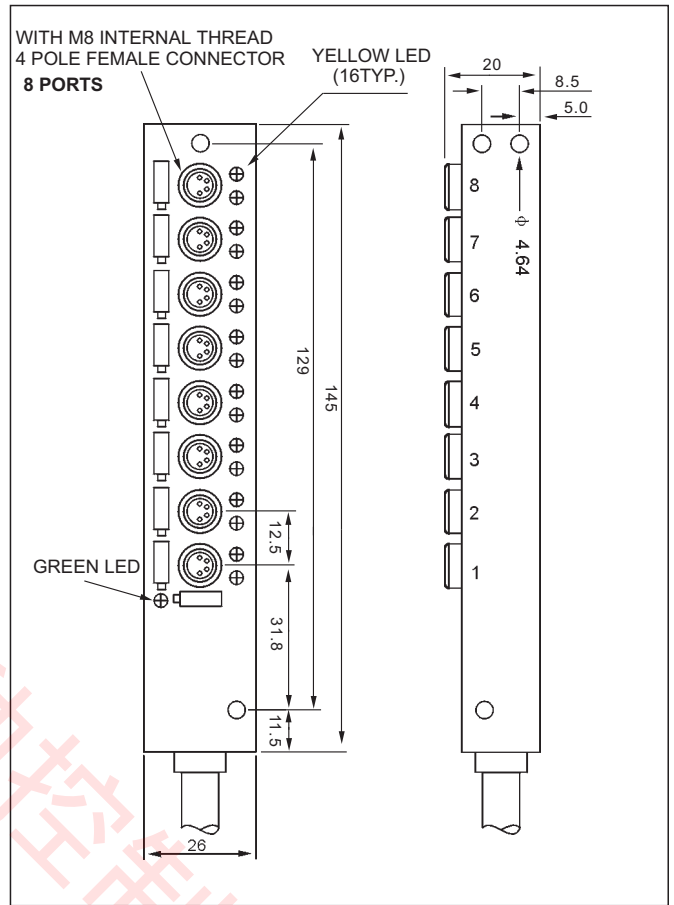
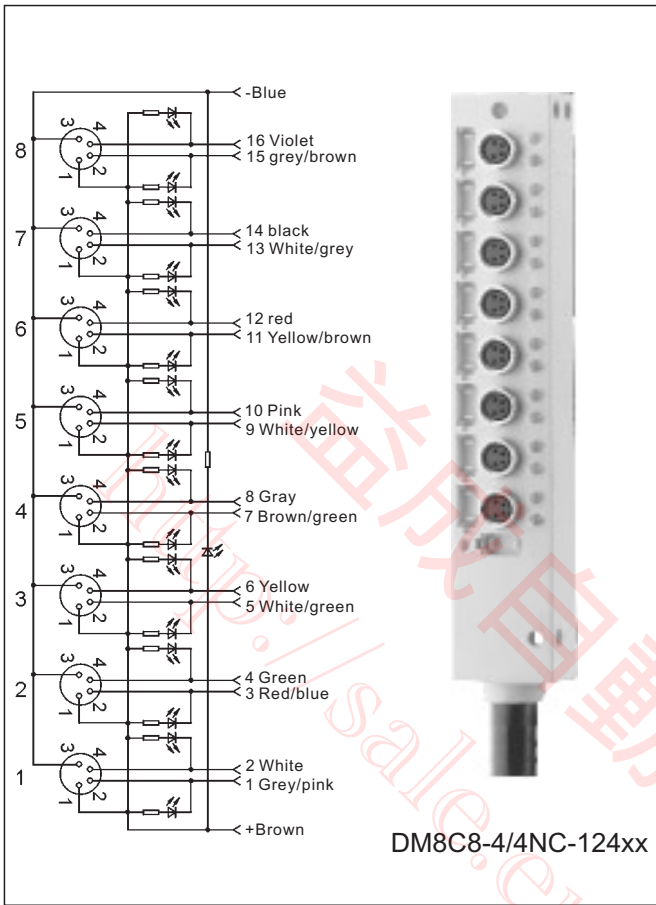
GREEN LED

Dimensions: 26mm width, 11.5mm bottom offset, 12.5mm LED spacing, 31.8mm LED length, 104mm LED height, 120mm total height, 21.1(0.83)mm top offset, 8.5(0.34)mm LED diameter, 5(0.2)mm LED height, 4.64mm LED pitch, 11.5mm bottom offset.



# DISTRIBUTION BOXES(DM8-4PIN NPN SERIES)

## Mechanicals





# DISTRIBUTION BOXES(DM8-4PIN NPN SERIES)

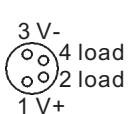
## Description

Simplifies wiring installation-integrated molded PVC or PUR home run cable  
 Allows for top or side entry of threaded 4P male cordsets connecting to ports  
 For use with 4-wire PNP sensors or 24V DC actuators

## Technical Data

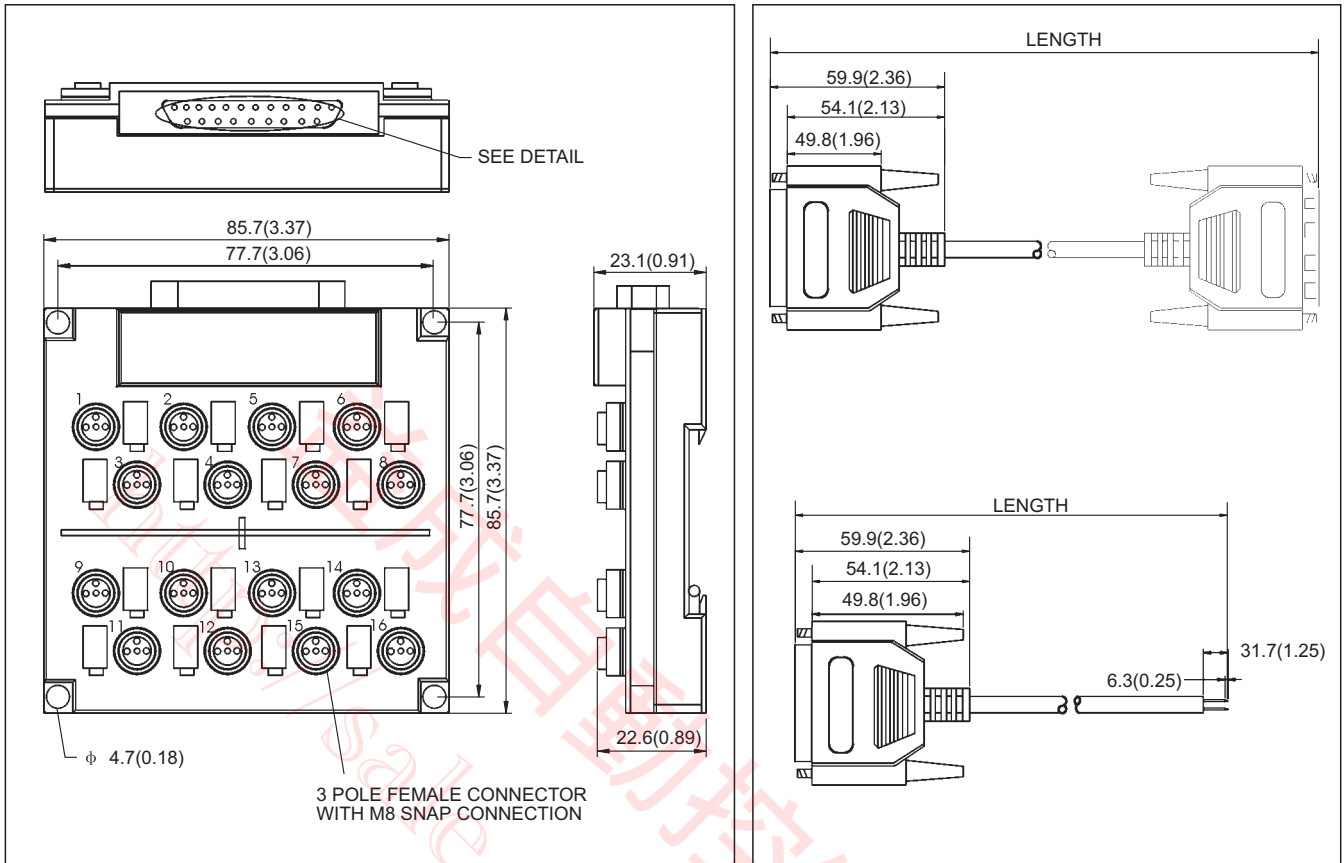
<b>1. Application Class:</b>	-5° TO 194° F(-25° TO 90° C)	<b>4. Home run connector cabling</b>	
<b>2. Mechanical</b>		Cable jacket:	Black PUR/PVC composite, BLACK PUR
Insert:	Thermoplastic polyester	<b>4Ports</b>	<b>6Ports</b>
Housing:	PBT	V(+) and V(-):	2x0.75mm <sup>2</sup> 2x0.75mm <sup>2</sup> 2x0.75mm <sup>2</sup> 2x0.75mm <sup>2</sup>
Receptacle housing:	Nickel-plated brass	Control:	4x0.34mm <sup>2</sup> 6x0.34mm <sup>2</sup> 8x0.34mm <sup>2</sup> 10x0.34mm <sup>2</sup>
ID Label:	ABS	<b>5. Stranding</b>	
O-Ring:	Viton	V(+) and V(-):	42x0.15mm 42x0.15mm 42x0.15mm 42x0.15mm
		Control:	42x0.10mm 42x0.10mm 42x0.10mm 42x0.10mm
<b>3. Electrical</b>		Diameter:	PUR:11.5
Voltage rating:	300V	<b>6. Stranding</b>	
Amperage:	2A max/port;6A total per mpis unit	Protection:	IP 68
Indicating lights:	Green LED-power;Yellow LED-function		
Average LED life:	100,000 Hours		

## Order Information

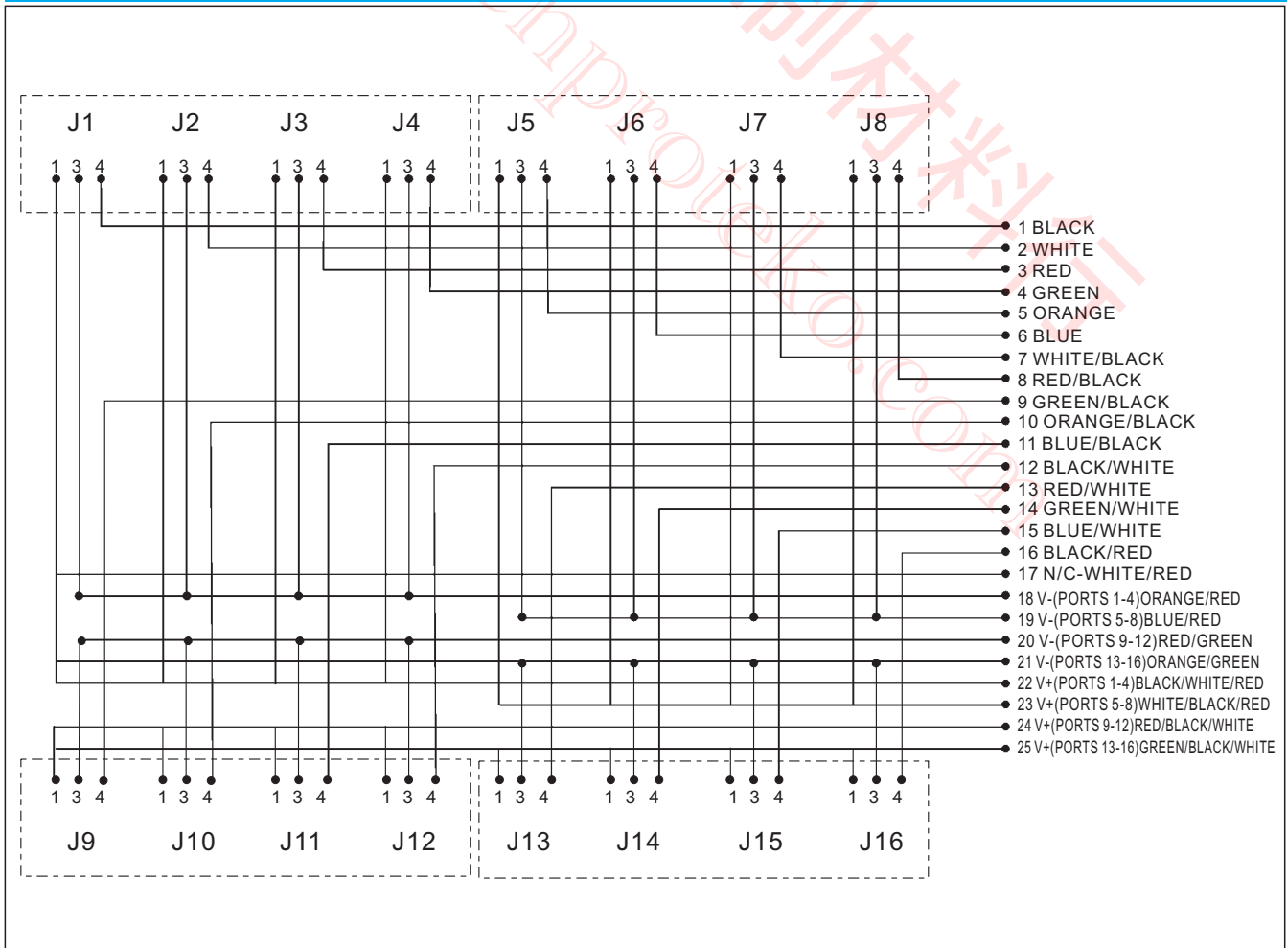
Part Number	Poles	Cable Type	Cable Type	
			Lead(mm <sup>2</sup> )	Outer Jacket
DM8C4-4/4NC-122xx		1 = Grey/pink 2 = White 3 = Red/blue 4 = Green 5 = White/green 6 = Yellow 7 = Brown/green 8 = Gray V += Brown V -= Blue Ground = yellow/green	V+ and V- 0.75mm <sup>2</sup>	PVC/PUR
DM8C4-4/4NC-125xx				PUR
DM8C6-4/4NC-123xx		1 = Grey/pink 2 = White 3 = Red/blue 4 = Green 5 = White/green 6 = Yellow 7 = Brown/green 8 = Gray 9 = White/yellow 10 = Pink 11 = Yellow/brown 12 = red V += Brown V -= Blue Ground = yellow/green		Control 0.34mm <sup>2</sup>
DM8C6-4/4NC-126xx			PUR	
DM8C8-4/4NC-124xx		1 = Grey/pink 2 = White 3 = Red/blue 4 = Green 5 = White/green 6 = Yellow 7 = Brown/green 8 = Gray 9 = White/yellow 10 = Pink 11 = Yellow/brown 12 = red 13 = White/grey 14 = black 15 = grey/brown 16 = Violet V += Brown V -= Blue Ground = yellow/green	φ 11.5	
DM8C8-4/4NC-127xx				PUR
DM8C10-4/4NC-128xx		1 = Grey/pink 2 = White 3 = Red/blue 4 = Green 5 = White/green 6 = Yellow 7 = Brown/green 8 = Gray 9 = White/yellow 10 = Pink 11 = Yellow/brown 12 = red 13 = White/grey 14 = black 15 = grey/brown 16 = Violet 17 = red/white 18 = orange 19 = orange/black 20 = cyan V += Brown V -= Blue Ground = yellow/green		PUR
DM8C10-4/4NC-129xx			PUR	

# DISTRIBUTION BOXES(DM8-SERIES)

## Mechanicals



## Schematics



# DISTRIBUTION BOXES (DM8-SERIES)

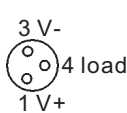
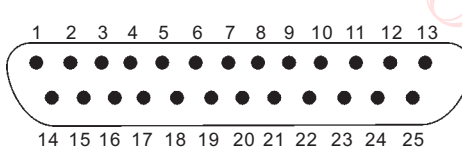
## Description

Maximum I/O density of 3P M8 cordsets-16 inputs  
 Snap fittings featured for quick assembly  
 (4)Independent V+ & V- connections for power isolation

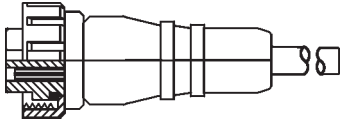
## Technical Data

<b>1. Application Class:</b>	32° TO 140° F(0° TO 60°C)	<b>4. Stranding</b>	
<b>2. Mechanical</b>		Protection:	IP 65
Insert:	Thermoplastic polyester		
Housing:	BLACK ABS		
Receptacle housing:	Nickel-plated brass		
ID Label:	ABS		
Mounting:	35mm din rail or(4)#8 self-tapping screws		
<b>3. Electrical</b>			
Voltage rating:	50VDC		
Amperage:	1.2A max/port;1.2A max per pin on 2pin on 25pin D-SUB		

## Order Information

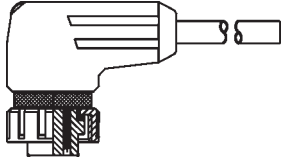
Part Number	Poles	Face View of Male Plug	Cable color
DM8C16-3/3PA-25			1= black 2= white 3= red 4= green 5= orange 6= blue 7= white/black 8= red/black 9= green/black 10= orange/black 11= blue/black 12= black/white 13= red/white 14= green/white 15= blue/white 16= black/red 17= n/c-white/red 18= v-(ports 1-4)orange/red 19= v-(ports 5-8)blue/red 20= v-(ports 9-12)red/green 21= v-(ports 13-16)orange/green 22= v+(ports 1-4)black/white/red 23= v+(ports 5-8)white/black/red 24= v+(ports 9-12)red/black/white 25= v+(ports 13-16)green/black/white

# MINI-STYLE INDEX



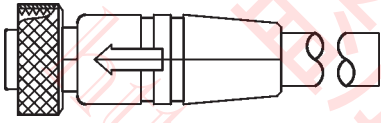
Page:F-02

Mini-style / 7/8" Female / Straight



Page:F03

Mini-style / 7/8" / Female / Right Angle



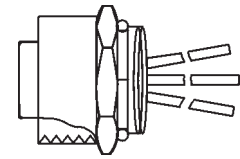
Page:F-04

Mini-style / 7/8" / Female / Straight



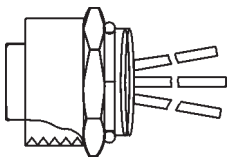
Page:F-05

Mini-style / 7/8" / Female / Straight



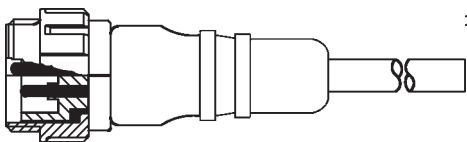
Page:F-06

Mini-style / 7/8" / Female / Straight



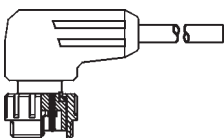
Page:F-07

Mini-style / 7/8" / Female / Straight



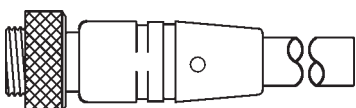
Page:F-08

Mini-style / 7/8" / Male / Straight



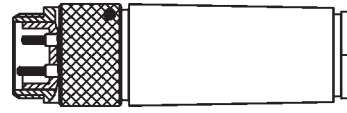
Page:F-09

Mini-style / 7/8" / Male / Right Angle



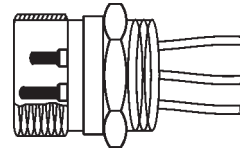
Page:F-10

Mini-style / 7/8" / Male / Straight



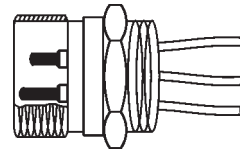
Page:F-11

Mini-style / 7/8" / Male / Straight



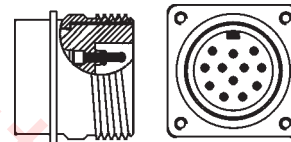
Page:F-12

Mini-style / 7/8" / Male / Straight



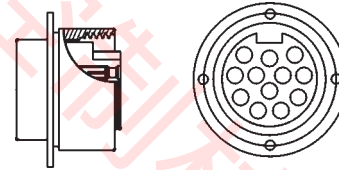
Page:F-13

Mini-style / 7/8" / Male / Straight



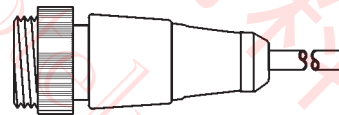
Page:F-14

Mini-style / 7/8" / Male / Straight



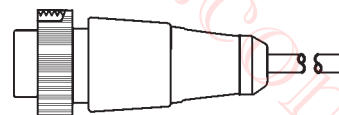
Page:F-15

Mini-style / 7/8" / Female / Straight



Page:F-16

Mini-style / 7/8" / Male / Straight



Page:F-17

Mini-style / 7/8" / Female / Straight

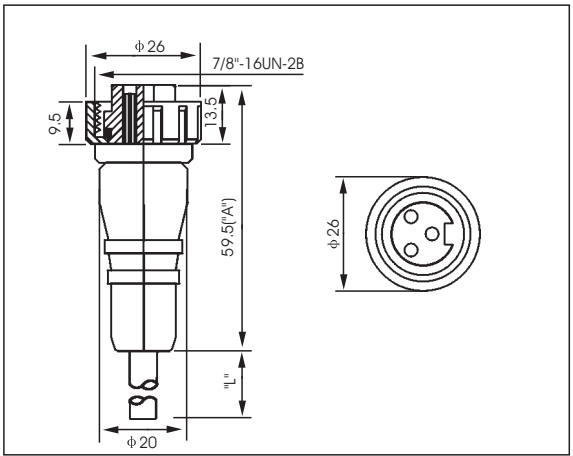
# MINI-STYLE QUICK DISCONNECT CABLES

## View



- Female Mini-style
- With locknut and moulded cable
- Orange

## Dimensional data



## Technical Data

Application Class: GNA acc. to DIN 40040 (-40 °C / +90 °C / ≤ 100%)	Withdrawal Force/Contact: ≥ 1N
Moulded Body: TPU, self-extinguishing	Protection: IP 68
Nominal Power: 2+3poles 12A/ 4+5poles 9A	Water Pressure Resistance: 10 bar
Nominal Voltage: 250VAC	Insulation Group: C acc.to VDE 0110
Body: TPU, self-extinguishing	Contact Resistance : ≤ 5m Ω
Contact: CuZn, 3 microns silver-plated and 0.25 microns gold-plated	Test Voltage: 2+3poles, 2.5 KV eff./60s./ 4+5poles, 1.5 KV eff./60s.
Insertion Force/Contact: ≤ 3N	Insulation Resistance: > 10 <sup>9</sup> Ω
	CSA certified: 219967

## Catalog Number

Part-No	Poles	Face View female	Color code	Conductors		Outer Jacket	
				Guage	Stranding	φ mm	Material
Z-FS2PAV012	2		1=brown 2=blue	0.75mm <sup>2</sup>	22xφ0.20	6.8	PVC
Z-FS3PAV032	3		1=brown 2=yellow/green 3=blue	0.75mm <sup>2</sup>	22xφ0.20	7.2	PVC
Z-FS3PAV082/B			1=brown 2=black 3=blue	0.50mm <sup>2</sup>	16xφ0.20	6.3	
Z-FS4PAV422	4		1=brown 2=white 3=blue 4=black	0.50mm <sup>2</sup>	16xφ0.20	6.3	PVC
Z-FS5PAV022	5		1=black 2=blue 3=yellow/green 4=brown 5=white	0.50mm <sup>2</sup>	16xφ0.20	6.8	PVC

Standard length: 2.0 m and 5.0 m. Other cable length or cable specifications on request.

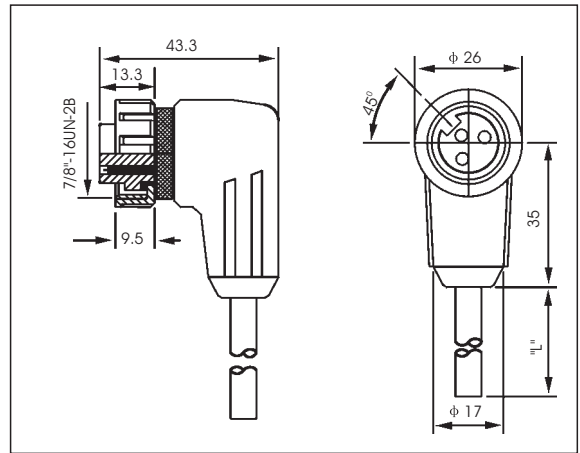
# MINI-STYLE QUICK DISCONNECT CABLES

## View



- Female Mini-style
- Right-angle style
- With screw-lock and moulded cable
- Orange

## Dimensional data



## Technical Data

Application Class: GNA acc. to DIN 40040  
(-40 °C / +90 °C / ≤ 100%rF)

Moulded Body: TPU, self-extinguishing

Nominal Power: 2+3poles 12A/ 4+5poles 9

Nominal Voltage: 250VAC

Body: TPU, self-extinguishing

Contact: CuZn, 3 microns silver-plated  
and 0.25 microns gold-plated

Insertion Force/Contact: ≤ 3N

Withdrawal Force/Contact: ≥ 3N

Protection : IP 68

Water Pressure resistance: 10 bar

Insulation Group: C acc.to VDE 0110

Contact Resistance: ≤ 5m Ω

Test Voltage: 2+3poles, 2.0 KV eff./60s./  
4+5poles, 1.5 KV eff./60s.

Insulation Resistance: >10<sup>9</sup> Ω

CSA certified: 219967

## Catalog Number

Part-No	Poles	Face View female	Color Code	Conductors		Outer Jacket	
				Guage	Stranding	φ mm	Material
Z-FA2PAV012	2		1=brown 2=blue	0.75mm <sup>2</sup>	22 x φ0.20	6.8	PVC
Z-FA3PAV032	3		1=brown 2=yellow/green 3=blue	0.75mm <sup>2</sup>	22 x φ0.20	7.2	PVC
Z-FA3PAV082/B			1=brown 2=black 3=blue	0.50mm <sup>2</sup>	16 x φ0.20	6.3	
Z-FA4PAV422	4		1=brown 2=white 3=blue 4=black	0.50mm <sup>2</sup>	16 x φ0.20	6.3	PVC
Z-FA5PAV022	5		1=black 2=blue 3=yellow/green 4=brown 5=white	0.50mm <sup>2</sup>	16 x φ0.20	6.8	PVC

Standard Length: 2.0 m and 5.0 m. Other cable length or cable specifications on request.

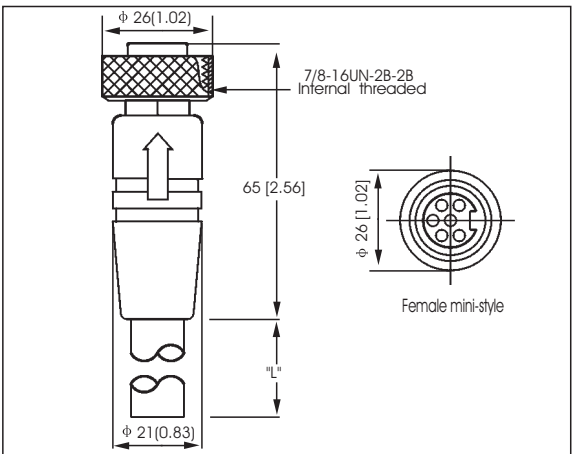
# MINI-STYLE QUICK DISCONNECT CABLES

## View



- With locknut and moulded cable
- Orange

## Dimensional data



## Technical Data

Application Class:	GNA acc. to DIN 40040 (-40 °C / +90 °C / ≤ 100%)	Withdrawal Force/Contact:	≥ 1N
Moulded Body:	TPU, self-extinguishing	Protection:	IP 68
Nominal Power:	2+3poles 12A/ 4+5poles 9A	Water Pressure resistance:	10 bar
Nominal Voltage:	250VAC	Insulation Group:	C acc.to VDE 0110
Body:	TPU, self-extinguishing	Contact Resistance :	≤ 5m Ω
locking Nut:	Nickel plated brass	Test Voltage:	2+3poles, 2.5 KV eff./60s./ 4+5poles, 1.5 KV eff./60s.
Contact:	CuZn, 3 microns silver-plated and 0.25 microns gold-plated	Insulation Resistance:	>10 <sup>9</sup> Ω
Insertion Force/Contact:	≤ 3N	CSA certified:	219967

## Catalog Number

Part-No	Poles	Face View female	Color Code	Conductors		Outer Jacket	
				Guage	Stranding	φ mm	Material
Z-FS2KAV012	2		1=brown 2=blue	0.75mm <sup>2</sup>	22xφ0.20	6.8	PVC
Z-FS3KAV082	3		1=brown 2=black 3=blue	0.50mm <sup>2</sup>	16 xφ0.20	6.3	PVC
Z-FS4KAV422	4		1=brown 2=white 3=blue 4=black	0.50mm <sup>2</sup>	16 xφ0.20	6.3	PVC
Z-FS5KAV432	5		1=black 2=blue 3=yellow/ Green 4=brown 5=white	0.50mm <sup>2</sup>	16 xφ0.20	6.8	PVC
Z-FS6KAV442	6		1=black 2=blue 3=yellow 4=brown 5=white 6=green	0.50mm <sup>2</sup>	16 xφ0.20	6.8	PVC

Standard length: 2.0 m and 5.0 m. Other cable length or cable specifications on request.

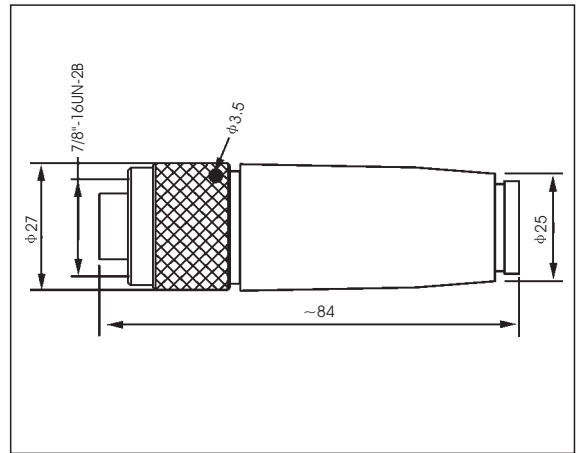
# MINI-STYLE QUICK DISCONNECT RECEPTACLES

## View



- Convenient screw terminations
- Easy assembly for modification of existing installations
- Thread grommet sizes PG9, PG11, PG13.5, PG16
- Nylon molded connector shell

## Dimensional data



## Technical Data

Application Class: GNA acc. to DIN 40040  
 (-40 °C / +90 °C / ≤ 100%rF)  
 Insert: TPU  
 Nominal Power: 2+3poles 12A / 4+5poles 9A  
 Nominal Voltage: 250VAC  
 Body: PA6.6 self-extinguishing  
 Contact: CuZn, 3 microns silver-plated  
 and 0.25 microns gold-plated  
 Insertion Force/Contact: ≤ 5N

Withdrawal Force/Contact: ≥ 3N  
 O-Ring: NBR  
 Protection: IP 67 (only in fully locked position)  
 Locknut: Steel, galvanized and chromated  
 Mode of Connection: Screw clamps  
 Contact Resistance: ≤ 5m Ω  
 Test Voltage: 3poles, 2.5 KV eff./60s./  
 4+5poles, 1.5 KV eff./60s.  
 Insulation Resistance: >10<sup>9</sup> Ω  
 CSA certified: 219967

## Catalog Number

Part-No	Poles	Face View female	Max. Wire section (mm <sup>2</sup> )	Screw Joint for cable
Z-FS3KA/PG9	3		Max. 1.5 mm <sup>2</sup>	PG 9 φ 6...8 mm
Z-FS3KA/PG11				PG 11 φ 8...10 mm
Z-FS3KA/PG13.5				PG 13.5 φ 10...12 mm
Z-FS3KA/PG16				PG 16 φ 12...14 mm
Z-FS4KA/PG9	4		Max. 1.5 mm <sup>2</sup>	PG 9 φ 6...8 mm
Z-FS4KA/PG11				PG 11 φ 8...10 mm
Z-FS4KA/PG13.5				PG 13.5 φ 10...12 mm
Z-FS4KA/PG16				PG 16 φ 12...14 mm
Z-FS5KA/PG9	5		Max. 1.5 mm <sup>2</sup>	PG 9 φ 6...8 mm
Z-FS5KA/PG11				PG 11 φ 8...10 mm
Z-FS5KA/PG13.5				PG 13.5 φ 10...12 mm
Z-FS5KA/PG16				PG 16 φ 12...14 mm

Standard length: 2.0 m and 5.0 m. Other cable length or cable specifications on request.



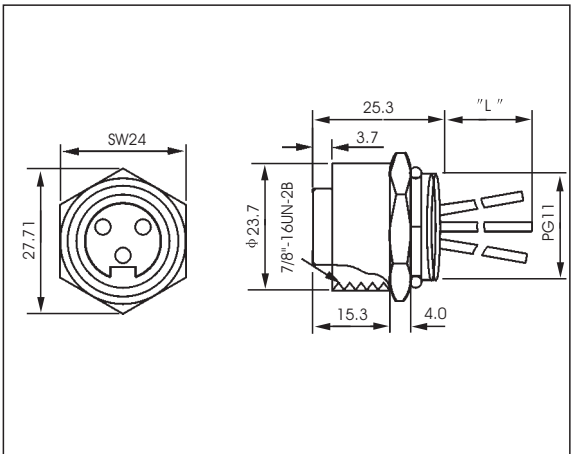
# MINI-STYLE QUICK DISCONNECT CABLES

## View



- Female Mini-style receptacle
- Front mounting, with wire ends
- Thread chassis side PG 11, screw Mounting
- From rear with nut RMF 11 (see page C-34)
- Solder contacts Potted with epoxy

## Dimensional data



## Technical Data

Application Class:	GPD acc. to DIN 40040 (-40 °C / +90 °C / ≤ 100%)	Withdrawal Force/Contact:	≥ 1N
Insert:	TPU	Protection:	IP 68
Nominal Power:	2+3poles 12A/ 4+5poles 9A	Water Pressure resistance:	10 bar
Nominal Voltage:	250VAC	Insulation Group:	C acc.to VDE 0110
Receptacle Housing:	Nickel plated brass	Contact Resistance :	≤ 10mΩ
Contact:	CuZn, 3 microns silver-plated And 0.25 microns gold-plated	Test Voltage:	2+3poles, 2.5 KV eff./60s./ 4+5poles, 1.5 KV eff./60s.
O-Ring:	Cr, self-extinguishing	Insulation Resistance:	> 10 <sup>9</sup> Ω
Insertion Force/Contact:	≤ 3N	CSA certified:	219967

## Catalog Number

Part-No	Poles	Face View female	Color Code	Conductors		Conductor insulation φ mm(single)
				Guage	Stranding	
Z-FS2FA/0.5/PG11	2		1=brown 2=blue	0.75mm <sup>2</sup>	8x φ0.20	1.5
Z-FS3FA/0.5/PG11	3		1=brown 2=black 3=blue	0.75mm <sup>2</sup>	21x φ0.20	1.8
Z-FS4FA/0.5/PG11	4		1=brown 2=white 3=blue 4=black	0.50mm <sup>2</sup>	16x φ 0.20	1.8
Z-FS5FA/0.5/PG11	5		1=black 2=blue 3=yellow/green 4=brown 5=white	0.50mm <sup>2</sup>	16x φ 0.20	1.8

Standard length: 2.0 m and 5.0 m. Other cable length or cable specifications on request.

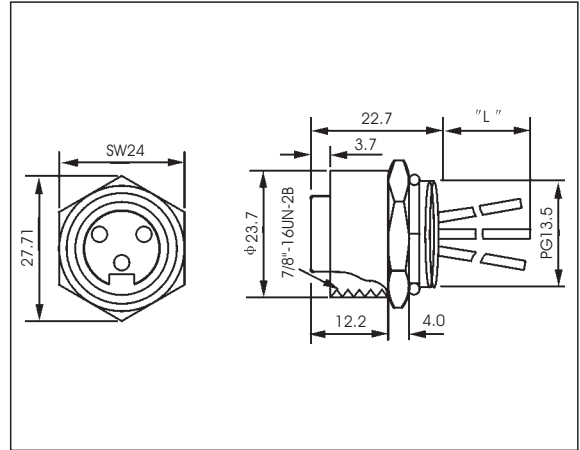
# MINI-STYLE QUICK DISCONNECT CABLES

## View



- Female Mini-style receptacle
- Front mounting
- With wire ends
- Thread chassis side PG13.5
- Screw mounting
- From rear with nut RMF13.5 (see page C-34)
- Solder contacts potted with epoxy

## Dimensional data



## Technical Data

Application Class:	GPD acc. to DIN 40040 (-40 °C / +90 °C / ≤ 100%rF)	Insertion Force/contact:	≤ 3N
Insert:	TPU	Withdrawal Force/Contact:	≥ 1N
Nominal Power:	2+3poles 12A/ 4+5poles 9A	Protection :	IP 68
Nominal Voltage:	250VAC	Water Pressure Resistance:	10 bar
Receptacle Housing:	Nickel plated brass	Insulation Group:	C acc.to VDE 0110
Contact:	CuZn,3 microns silver-plated And 0.25 microns gold-plated	Contact Resistance:	≤ 10m Ω
O-Ring:	Cr,self-extinguishing	Test Voltage:	2+3poles,2.5 KV eff./60s./ 4+5poles,1.5 KV eff./60s.
		Insulation Resistance:	>10 <sup>9</sup> Ω
		CSA certified:	219967

## Catalog Number

Part-No	Poles	Face View female	Color Code	Conductors		Conductor insulation φ mm(single)
				Guage	Stranding	
Z-FS2FA/0.5/PG13.5	2		1=brown 2=blue	0.75mm <sup>2</sup>	21xφ0.20	1.8
Z-FS3FA/0.5/PG13.5	3		1=brown 2=yellow/green 3=blue	0.75mm <sup>2</sup>	21xφ0.20	1.8
Z-FS3FA/0.5/PG13.5/B			1=brown 2=black 3=blue			
Z-FS4FA/0.5/PG13.5	4		1=brown 2=white 3=blue 4=black	0.50mm <sup>2</sup>	16xφ0.20	1.8
Z-FS5FA/0.5/PG13.5	5		1=black 2=blue 3=yellow/green 4=brown 5=white	0.50mm <sup>2</sup>	16xφ0.20	1.8

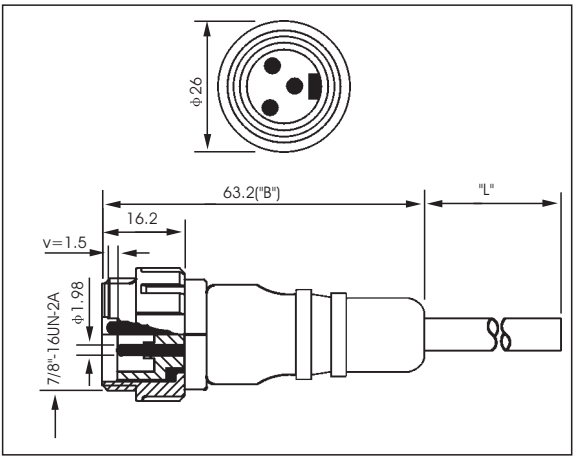
# MINI-STYLE QUICK DISCONNECT CABLES

## View



- Mini-style
- With locknut and moulded Cable ,orange

## Dimensional data



## Technical Data

Application Class:	GNAcc. to DIN 40040 (-40 °C /+9 °C / ≤ 100%)	Body:	TPU, self-extinguishing
Moulded Body:	TPU, self-extinguishing	Protection:	IP 68
Nominal Power:	2+3poles 12A/ 4+5poles 9A	Water Pressure Resistance:	10 bar
Nominal Voltage:	250VAC	Insulation Group:	C acc.to VDE 0110
Contact:	CuZn, 3 microns silver-plated and 0.25 microns gold-plated	Test Voltage:	2+3poles, 2.5 KV eff./60s./ 4+5poles, 1.5 KV eff./60s.
		Insulation Resistance:	> 10 <sup>9</sup> Ω
		CSA certified:	219967

## Catalog Number

Part-No	Poles	Face View male	Color Code	Conductors		Outer Jacket	
				Guage	Stranding	φ mm	Material
Z-MS2PAV012	2		1=brown 2=blue	0.75mm <sup>2</sup>	22xφ 0.20	6.8	PVC
Z-MS3PAV032	3		1=brown 2=yellow/green 3=blue	0.75mm <sup>2</sup>	22xφ 0.20	7.2	PVC
Z-MS3PAV082/B			1=brown 2=black 3=blue	0.50mm <sup>2</sup>	16xφ 0.20	6.3	
Z-MS4PAV422	4		1=brown 2=white 3=blue 4=black	0.50mm <sup>2</sup>	16xφ 0.20	6.3	PVC
Z-MS5PAV022	5		1=black 2=blue 3=yellow/green 4=brown 5=white	0.50mm <sup>2</sup>	16xφ 0.20	6.8	PVC

Standard length: 2.0 m and 5.0 m. Other cable length or cable specifications on request.

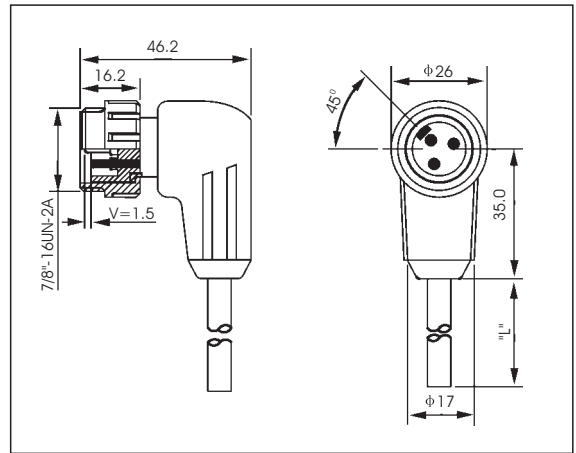
# MINI-STYLE QUICK DISCONNECT CABLES

## View



- Right-angle style
- With screw-lock and moulded cable
- Orange

## Dimensional data



## Technical Data

Application Class:	GNA acc. to DIN 40040 (-40 °C / +90 °C / ≤ 100%rF)	Body :	TPU, self-extinguishing
Moulded Body:	TPU, self-extinguishing	Protection :	IP 68
Nominal Power:	2+3poles 12A/ 4+5poles 9A	Water Pressure Resistance:	10 bar
Nominal Voltage:	250VAC	Insulation Group:	C acc.to VDE 0110
Contact:	CuZn, 3 microns silver-plated and 0.25 microns gold-plated	Test Voltage:	2+3poles, 2.5 KV eff./60s./ 4+5poles, 1.5 KV eff./60s.
		Insulation Resistance:	>10 <sup>9</sup> Ω
		CSA certified:	219967

## Catalog Number

Part-No	Poles	Face View male	Color Code	Conductors		Outer Jacket	
				Guage	Stranding	φ mm	Material
Z-MA2PAV012	2		1=brown 2=blue	0.75mm <sup>2</sup>	22xφ 0.20	6.8	PVC
Z-MA3PAV032	3		1=brown 2=yellow/green 3=blue	0.75mm <sup>2</sup>	22xφ 0.20	7.2	PVC
Z-MA3PAV082/B			1=brown 2=black 3=blue	0.50mm <sup>2</sup>	16xφ 0.20	6.3	
Z-MA4PAV422	4		1=brown 2=white 3=blue 4=black	0.50mm <sup>2</sup>	16xφ 0.20	6.3	PVC
Z-MA5PAV022	5		1=black 2=blue 3=yellow/green 4=brown 5=white	0.50mm <sup>2</sup>	16xφ 0.20	6.8	PVC

Standard length: 2.0 m and 5.0 m. Other cable length or cable specifications on request.

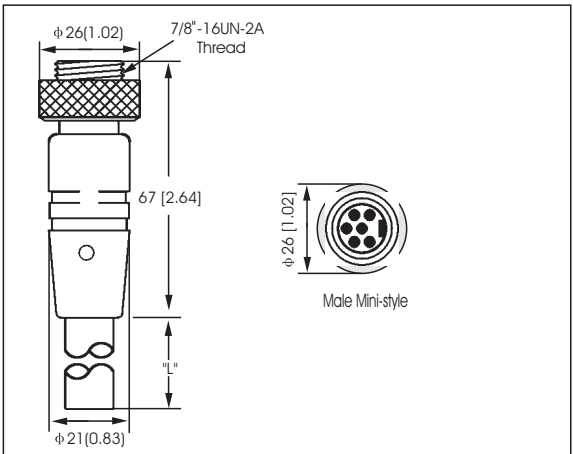
# MINI-STYLE QUICK DISCONNECT CABLES

## View



- With locknut and Moulded cable
- Orange.

## Dimensional data



## Technical Data

Application Class:	GNAacc. to DIN 40040 (-40 °C /+90 °C / ≤ 100%)	Withdrawal Force/Contact:	≥ 1N
Moulded Body:	TPU, self-extinguishing	Protection:	IP 68
Nominal Power:	2+3poles 12A/ 4+5poles 9A	Water Pressure Resistance:	10 bar
Nominal Voltage:	250VAC	Insulation Group:	C acc.to VDE 0110
Body:	TPU, self-extinguishing	Contact Resistance:	≤ 5mΩ
locking Nut:	Nickel plated brass	Test Voltage:	2+3poles, 2.5 KV eff./60s./ 4+5poles, 1.5 KV eff./60s.
Contact:	CuZn, 3 microns silver-plated and 0.25 microns gold-plated	Insulation Resistance:	>10 <sup>9</sup> Ω
Insertion Force/Contact:	≤ 3N	CSA certified:	219967

## Catalog Number

Part-No	Poles	Face View male	Color Code	Conductors		Outer Jacket	
				Guage	Stranding	φ mm	Material
Z-MS2KAV012	2		1=brown 2=blue	0.75mm <sup>2</sup>	22x φ 0.20	6.8	PVC
Z-MS3KAV082	3		1=brown 2=black 3=blue	0.50mm <sup>2</sup>	16 x φ 0.20	6.3	PVC
Z-MS4KAV422	4		1=brown 2=white 3=blue 4=black	0.50mm <sup>2</sup>	16 x φ 0.20	6.3	PVC
Z-MS5KAV432	5		1=black 2=blue 3=yellow/ green 4=brown 5=white	0.50mm <sup>2</sup>	16 x φ 0.20	6.8	PVC
Z-MS6KAV442	6		1=black 2=blue 3=yellow 4=brown 5=white 6=green	0.50mm <sup>2</sup>	16 x φ 0.20	6.8	PVC

Standard length: 2.0 m and 5.0 m. Other cable length or cable specifications on request.

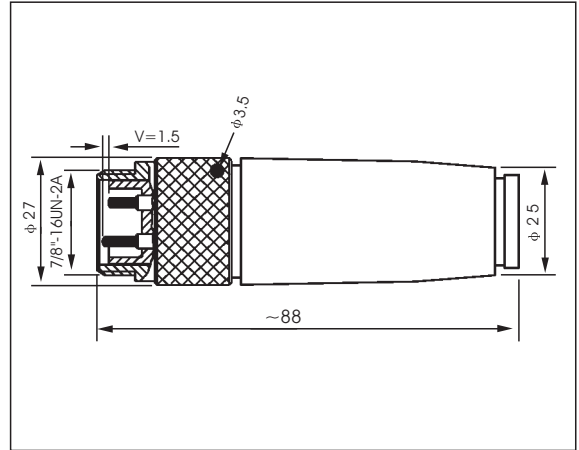
# MINI-STYLE QUICK DISCONNECT RECEPTACLES

## View



- Mini-style
- With locknut

## Dimensional data



## Technical Data

Application Class: GPD acc. to DIN 40040  
(-40 °C / +90 °C / ≤ 100%rF)

Insert: TPU  
Nominal Power: 2+3poles 12A/ 4+5poles 9A  
Nominal Voltage: 250VAC  
Body: PA6.6 GV, self-extinguishing  
Contact: CuZn, pre-plated and 0.8 microns gold-plated  
Insertion Force/Contact: ≤ 5N

Withdrawal Force/Contact: ≥ 3N  
O-Ring: NBR  
Protection: IP 67 (only in fully locked position)  
Locknut: Steel, galvanized and chromated  
Mode of Connection: Screw clamps  
Contact Resistance: ≤ 5mΩ  
Test Voltage: 3poles, 2.5 KV eff./60s.  
4+5poles, 1.5 KV eff./60s.  
Insulation Resistance: >10<sup>9</sup>Ω  
CSA certified: 219967

## Catalog Number

Part-No	Poles	Face View male	Max. Wire section mm <sup>2</sup>	Screw Joint for cable
Z-MS3KA/PG9	3		max. 1.5 mm <sup>2</sup>	PG 9 φ 6...8 mm
Z-MS3KA/PG11				PG 11 φ 8...10 mm
Z-MS3KA/PG13.5				PG 13.5 φ 10...12 mm
Z-MS3KA/PG16				PG 16 φ 12...14 mm
Z-MS4KA/PG9	4		max. 1.5 mm <sup>2</sup>	PG 9 φ 6...8 mm
Z-MS4KA/PG11				PG 11 φ 8...10 mm
Z-MS4KA/PG13.5				PG 13.5 φ 10...12 mm
Z-MS4KA/PG16				PG 16 φ 12...14 mm
Z-MS5KA/PG9	5		max. 1.5 mm <sup>2</sup>	PG 9 φ 6...8 mm
Z-MS5KA/PG11				PG 11 φ 8...10 mm
Z-MS5KA/PG13.5				PG 13.5 φ 10...12 mm
Z-MS5KA/PG16				PG 16 φ 12...14 mm

Standard length: 2.0 m and 5.0 m. Other cable length or cable specifications on request.

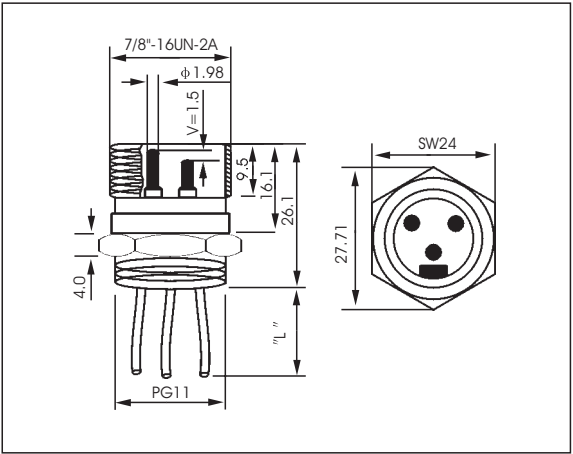
# MINI-STYLE QUICK DISCONNECT CABLES

## View



- Mini-style receptacle
- Front mounting, with wire ends
- Thread chassis side Pg 11
- Screw mounting from rear
- With nut RMF11 (see page C-34)
- Solder contacts potted with epoxy

## Dimensional data



## Technical Data

Application Class:	GPD acc. to DIN 40040 (-40 °C / +90 °C / ≤ 100%)	Protection:	IP 68
Insert:	TPU	Water Pressure Resistance:	10 bar
Nominal Power:	2+3poles 12A/ 4+5poles 9A	Insulation Group:	C acc.to VDE 0110
Nominal Voltage:	250VAC	Contact Resistance:	≤ 10mΩ
Receptacle Housing:	Nickel plated brass	Test Voltage:	2+3poles, 2.5 KV eff./60s./ 4+5poles, 1.5 KV eff./60s.
Contact:	CuZn, 3 microns silver-plated and 0.25 microns gold-plated	Insulation Resistance:	>10 <sup>9</sup> Ω
O-Ring:	Cr, self-extinguishing	CSA certified:	219967

## Catalog Number

Part-No	Poles	Face View male	Color Code	Conductors		Conductor insulation $\phi$ mm(single)
				Guage	Stranding	
Z-MS2FA/0.5/PG11	2		1=brown 2=blue	0.25mm <sup>2</sup>	8× $\phi$ 0.20	1.5
Z-MS3FA/0.5/PG11	3		1=brown 2=black 3=blue	0.75mm <sup>2</sup>	21× $\phi$ 0.20	1.8
Z-MS4FA/0.5/PG11	4		1=brown 2=white 3=blue 4=black	0.50mm <sup>2</sup>	16× $\phi$ 0.20	1.8
Z-MS5FA/0.5/PG11	5		1=black 2=blue 3=yellow/green 4=brown 5=white	0.50mm <sup>2</sup>	16× $\phi$ 0.20	1.8



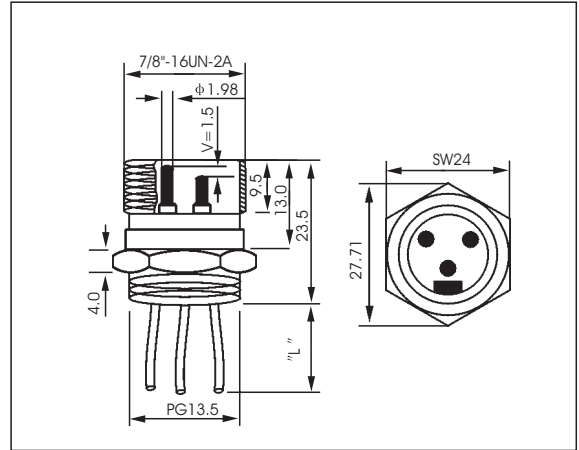
# MINI-STYLE QUICK DISCONNECT RECEPTACLES

## View



- Mini-style receptacle
- Front mounting, with wire ends
- Thread chassis side PG13.5
- Screw mounting from rear
- With nut RMF 13.5 (see page C-34)
- Solder contacts potted with epoxy

## Dimensional data



## Technical Data

Application Class:	GPD acc. to DIN 40040 (-40 °C / +90 °C / ≤ 100%rF)	Protection:	IP 68
Insert:	TPU	Water Pressure Resistance:	10 bar
Nominal Power:	2+3poles 12A/ 4+5poles 9A	Insulation Group:	C acc.to VDE 0110
Nominal Voltage:	250VAC	Contact Resistance:	≤ 10m Ω
Receptacle Housing:	Nickel plated brass	Test Voltage:	2+3poles, 2.0 KV eff./60s./ 4+5poles, 1.5 KV eff./60s.
Contact:	CuZn, pre-plated and 0.8 microns gold-plated	Insulation Resistance:	>10 <sup>9</sup> Ω
O-Ring:	Cr, self-extinguishing	CSA certified:	219967

## Catalog Number

Part-No	Poles	Face View male	Color Code	Conductors		Conductor insulation φ mm(single)
				Guage	Stranding	
Z-MS2FA/0.5/PG13.5	2		1=brown 2=blue	0.25mm <sup>2</sup>	8x φ 0.20	1.5
Z-MS3FA/0.5/PG13.5	3		1=brown 2=yellow/green 3=blue	0.75mm <sup>2</sup>	21x φ 0.20	1.8
Z-MS3FA/0.5/PG13.5/B			1=brown 2=black 3=blue			
Z-MS4FA/0.5/PG13.5	4		1=brown 2=white 3=blue 4=black	0.50mm <sup>2</sup>	16 × φ 0.20	1.8
Z-MS5FA/0.5/PG13.5	5		1=black 2=blue 3=yellow/green 4=brown 5=white	0.50mm <sup>2</sup>	16 × φ 0.20	1.8

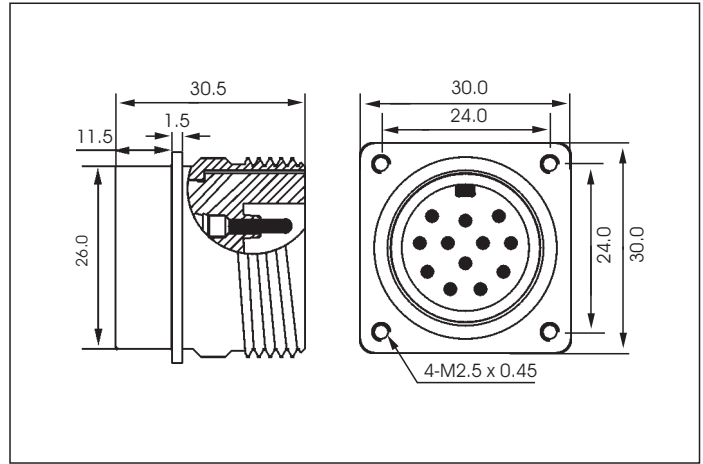


# MINI-STYLE QUICK DISCONNECT RECEPTACLES

## View



## Dimensional data



## Description

Mini Connectors for Z-FS12KAA612

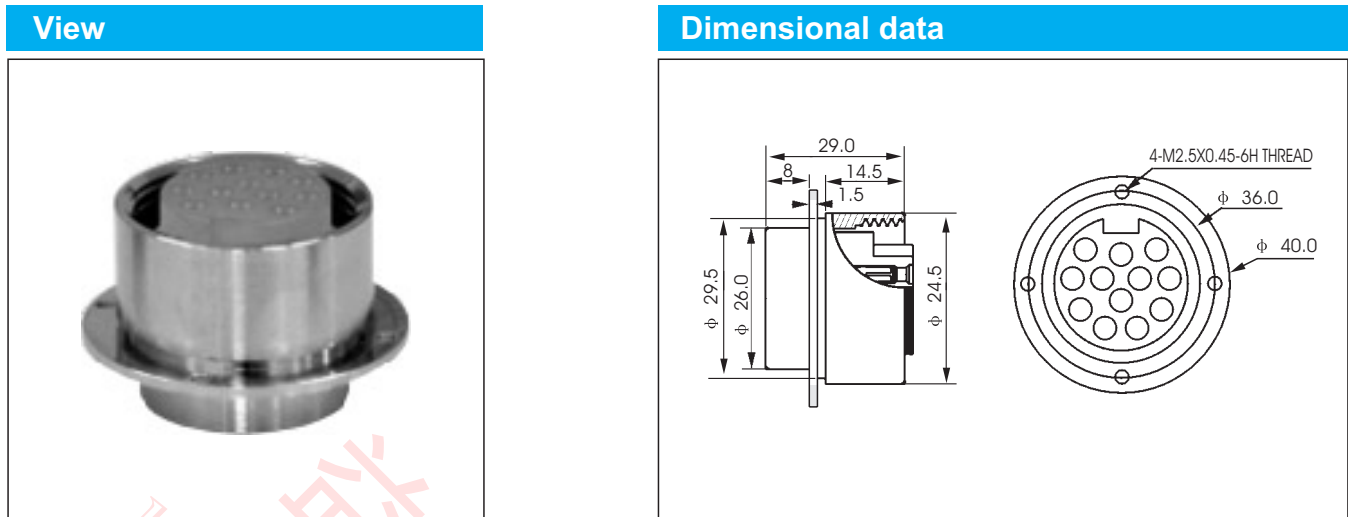
## Technical Data

- |   |   |
|---|---|
| <p><b>1.Application Class:</b> -40 °C to +90 °C</p> <p><b>2.Materials:</b><br/>                 Body: PUR (Polyurethane), Yellow<br/>                 Contact: Brass, gold over nickel plating<br/>                 Coupling Nut: Nickel plated brass<br/>                 Insert: PUR (Polyurethane), Yellow</p> <p><b>3.Electrical Data:</b><br/>                 Contact Resistance: <math>\leq 5m\Omega</math><br/>                 Current Rating: 7A<br/>                 Working Voltage: 600VAC<br/>                 Dielectric Withstanding Voltage: 2 kVAC RMS/60sec<br/>                 Insulation Resistance: <math>&gt;10^9 \Omega</math></p> | <p><b>4.Mechanical Data:</b><br/>                 Insertion Force (contact): <math>\leq 3.0N (.67LBS)</math><br/>                 Withdrawal Force (contact): <math>\geq 1.0N (.22LBS)</math><br/>                 Protection: IP68(only in fully locked position)<br/>                 Shock: IEC-68-2-27<br/>                 Vibration: IEC-68-2-6</p> <p><b>5. CE Conformity with Standards:</b><br/>                 EN50082-1, EN50082-2 and IEC60947-5-2</p> |
|---|---|

Part Number	Face View of Male Plug	Poles	Screw Joint for Cable
Z-MS12FA/A24		12	11/8"-16

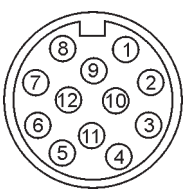
xx-Standard cable available in 2-meter(2) 5-meter(5),and 10-meter.  
 Other cable length or cable specifications on request.

# MINI-STYLE QUICK DISCONNECT RECEPTACLES



**Description**  
Mini Connectors for Z-MS12KAA612

Technical Data	
<p><b>1.Application Class:</b> -40 °C to +90 °C</p> <p><b>2.Materials:</b>                      Body: PUR (Polyurethane), Yellow                      Contact: Brass, gold over nickel plating                      Coupling Nut: Nickel plated brass                      Insert: PUR (Polyurethane), Yellow</p> <p><b>3.Electrical Data:</b>                      Contact Resistance: <math>\leq 5m\Omega</math>                      Current Rating: 7A                      Working Voltage: 600VAC                      Dielectric Withstanding Voltage: 2 kVAC RMS/60sec                      Insulation Resistance: <math>&gt;10^9\Omega</math></p>	<p><b>4.Mechanical Data:</b>                      Insertion Force (contact): <math>\leq 3.0N (.67LBS)</math>                      Withdrawal Force (contact): <math>\geq 1.0N (.22LBS)</math>                      Protection: IP68(only in fully locked position)                      Shock: IEC-68-2-27                      Vibration: IEC-68-2-6</p> <p><b>5. CE Conformity with Standards:</b>                      EN50082-1, EN50082-2 and IEC60947-5-2</p>

Part Number	Face View of Female Plug	Poles	Screw Joint for Cable
Z-FS12FA/C23		12	11/8"-16

xx-Standard cable available in 2-meter(2) 5-meter(5),and 10-meter.  
Other cable length or cable specifications on request.

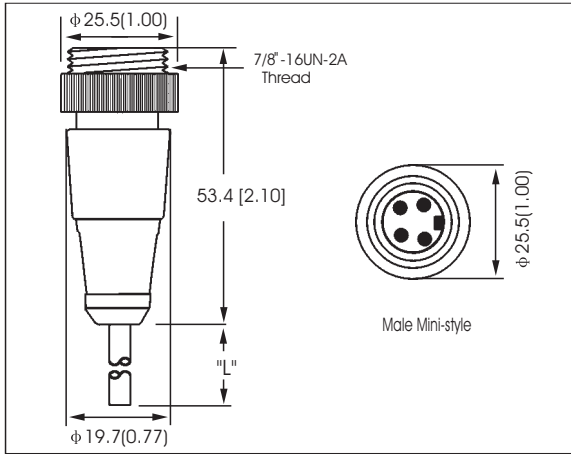
# MINI-STYLE QUICK DISCONNECT CABLES

## View



- With locknut and Moulded cable
- Yellow
- Male Mini-style

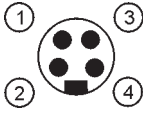
## Dimensional data



## Technical Data

Application Class:	GNAacc. to DIN 40040 (-40 °C / +90 °C / ≤ 100%)	Withdrawal Force/Contact:	≥ 1N
Moulded Body:	TPU, self-extinguishing	Protection:	IP 68
Nominal Power:	2+3poles 12A / 4+5poles 9A	Water Pressure Resistance:	10 bar
Nominal Voltage:	250VAC	Insulation Group:	C acc.to VDE 0110
Body:	TPU, self-extinguishing	Contact Resistance:	≤ 5m Ω
Locking Nut:	Painting Aluminum	Test Voltage:	2+3poles, 2.5 KV eff./60s. 4+5poles, 1.5 KV eff./60s.
Contact:	CuZn, 3 microns silver-plated and 0.25 microns gold-plated	Insulation Resistance:	>10 <sup>9</sup> Ω
Insertion Force/Contact:	≤ 3N	CSA certified:	219967

## Catalog Number

Part-No	Poles	Face View male	Color Code	Conductors		Outer Jacket	
				Guage	Stranding	φ mm	Material
Z-MS4KAY762	4		1=brown 2=white 3=blue 4=black	0.34mm <sup>2</sup>	26 x φ0.13	5.3	PUR

Standard length: 2.0 m and 5.0 m. Other cable length or cable specifications on request.

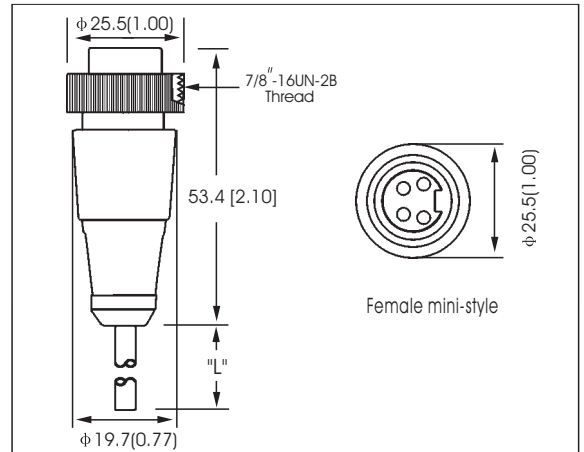
# MINI-STYLE QUICK DISCONNECT CABLES

## View



- With locknut and Moulded cable
- Yellow
- Female Mini-style


## Dimensional data



## Technical Data

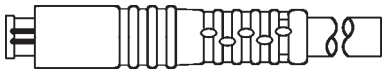
Application Class:	GNAacc. to DIN 40040 (-40 °C /+90 °C / ≤ 100%)	Withdrawal Force/Contact:	≥ 1N
Moulded Body:	TPU, self-extinguishing	Protection:	IP 68
Nominal Power:	2+3poles 12A/ 4+5poles 9A	Water Pressure Resistance:	10 bar
Nominal Voltage:	250VAC	Insulation Group:	C acc.to VDE 0110
Body:	TPU, self-extinguishing	Contact Resistance:	≤ 5m Ω
Locking Nut:	Painting Aluminum	Test Voltage:	2+3poles, 2.5 KV eff./60s. 4+5poles, 1.5 KV eff./60s.
Contact:	CuZn, 3 microns silver-plated and 0.25 microns gold-plated	Insulation Resistance:	>10 <sup>9</sup> Ω
Insertion Force/Contact:	≤ 3N	CSA certified:	219967

## Catalog Number

Part-No	Poles	Face View male	Color Code	Conductors		Outer Jacket	
				Guage	Stranding	φ mm	Material
Z-FS4KAY762	4		1=brown 2=white 3=blue 4=black	0.34mm <sup>2</sup>	26 x φ0.13	5.3	PUR

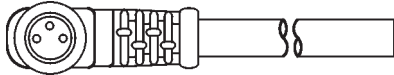
Standard length: 2.0 m and 5.0 m. Other cable length or cable specifications on request.

# PICO-STYLE INDEX



Page:B-02  
Page:B-04

Pico-style/Female/Male/  
Straight



Page:B-06  
Page:B-08  
Page:B-10

Pico-style/Female/Male/  
Straight/Right Angle



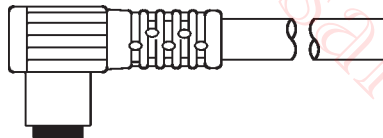
Page:B-12  
Page:B-14  
Page:B-16  
Page:B-18

Pico-style/Female/Male/  
Straight/Right Angle



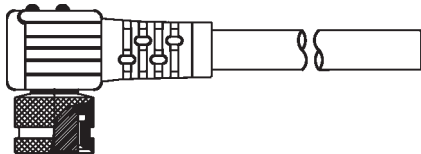
Page:B-20  
Page:B-21  
Page:B-22  
Page:B-23

Pico-style/Female/Male/  
Straight/Right Angle(Black)



Page:B-24

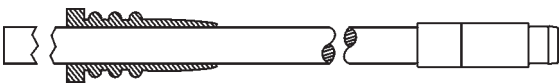
Pico-style/Female  
Right Angle/With LED



Page:B-26

Pico-style/Female/Right Angle/With LED

Page:B-28



Pico-style/Male/Female/Straight

Page:B-29

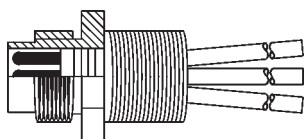


Pico-style/Male/Female/Straight

Page:B-30

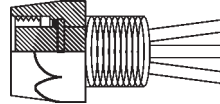


Pico-style/Male/Female/Straight



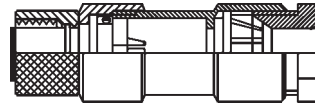
Page:B-31

Pico-style/Receptacle



Page:B-32

Pico-style/receptacle



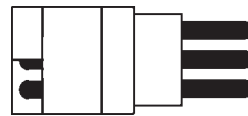
Page:B-33

Pico-style/Female/Straight



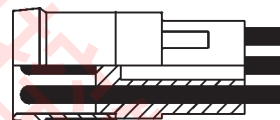
Page:B-34

Pico-style/Male/Straight



Page:B-35

Pico-style/Plug



Page:B-36

Pico-style/Plug



Page:B-37

Pico-style/Plug



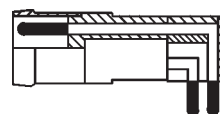
Page:B-38

Pico-style/Plug



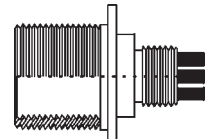
Page:B-39

Pico-style/Plug



Page:B-40

Euro-style/Plug



Page:B-41

Euro-style/Receptacle

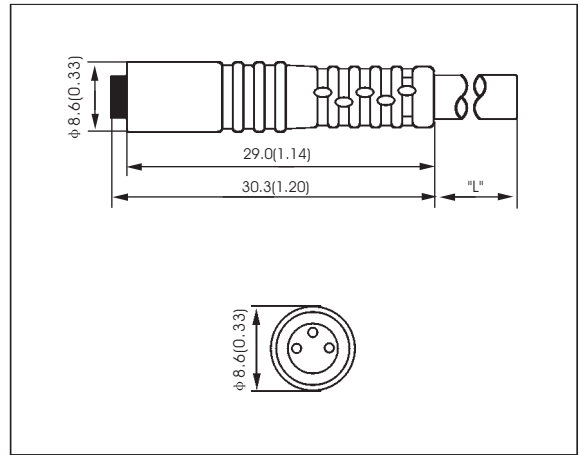
# PICO-STYLE QUICK DISCONNECT CABLES

## View



- Female Pico-style
- Snap-in device
- With moulded cable
- PUR/PVC offers superior resistance to oils and chemicals and abrasions

## Dimensional data



## Technical Data

Application Class: HNE acc.to DIN 40040  
(-25 °C / +90 °C / ≤ 75%rF)

Moulded Body: TPU, self-extinguishing

Nominal Power: 4A

Nominal Voltage: 60VAC/75VDC

Contact: CuZn, pre-nickel and  
0.8microns gold-plated

Body: TPU, self-extinguishing

O-Ring: Viton

Protection: IP 65

Contact Resistance: ≤ 5m Ω

Insulation Group: C acc.to VDE 0110

Test Voltage: 1.5 KV eff./ 60 s.

Insulation Resistance: >10<sup>9</sup> Ω

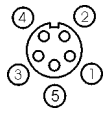
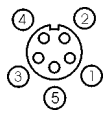
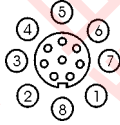
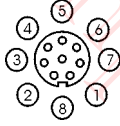
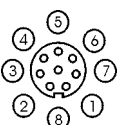
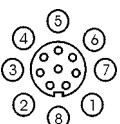
CSA certified: 219967

## Catalog Number

Part-No	Poles	Face View female	Color Code	Conductors		Outer Jacket	
				Guage	Stranding	φ mm	Material
C-FS3/2NZV062	3		1=brown 3=blue 4=-	0.34mm <sup>2</sup>	42 x φ0.10	5.0	PVC
C-FS3/2NZU042	3		1=brown 3=blue 4=-	0.34mm <sup>2</sup>	42 x φ0.10	5.0	PUR
C-FS5NZV1092	5		1=brown 2=white 3=blue 4=black 5=gray	0.34mm <sup>2</sup>	42x φ0.10	6.0	PVC
C-FS5NZU1102	5		1=brown 2=white 3=blue 4=black 5=gray	0.50mm <sup>2</sup>	16x φ0.20	6.0	PUR

Standard length: 2.0 m and 5.0 m.7.5m,10.0m. Other cable length or cable specifications on request.

# PICO-STYLE QUICK DISCONNECT CABLES

Catalog Number							
Part-No	Poles	Face View female	Color Code	Conductors		Outer Jacket	
				Guage	Stranding	φ mm	Material
C-FA5NZV1092	5		1=brown 2=white 3=blue 4=black 5=gray	0.34mm <sup>2</sup>	42x φ0.10	6.0	PVC
C-FA5NZU1102	5		1=brown 2=white 3=blue 4=black 5=gray	0.50mm <sup>2</sup>	16x φ0.20	6.0	PUR
C-FS8NZV1112	8		1=white 2=brown 3=green 4=yellow 5=grey 6=pink 7=blue 8=red	0.50mm <sup>2</sup>	65x φ0.10	7.2	PVC
C-FS8NZU1122	8		1=white 2=brown 3=green 4=yellow 5=grey 6=pink 7=blue 8=red	0.50mm <sup>2</sup>	65x φ0.10	7.2	PUR
C-FA8NZV1112	8		1=white 2=brown 3=green 4=yellow 5=grey 6=pink 7=blue 8=red	0.50mm <sup>2</sup>	65x φ0.10	7.2	PVC
C-FA8NZU1122	8		1=white 2=brown 3=green 4=yellow 5=grey 6=pink 7=blue 8=red	0.50mm <sup>2</sup>	65x φ0.10	7.2	PUR

Standard length: 2.0 m and 5.0 m.7.5m,10.0m. Other cable length or cable specifications on request.

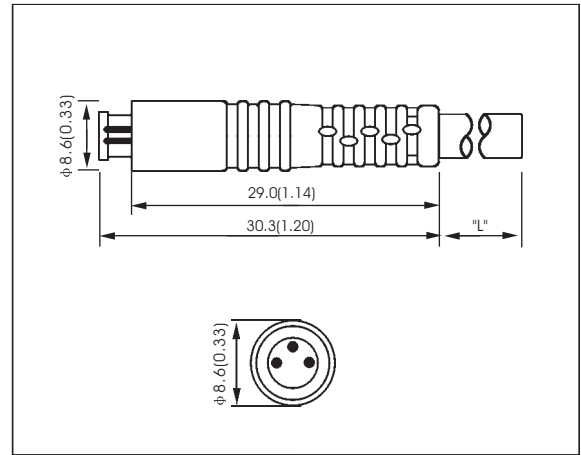
# PICO-STYLE QUICK DISCONNECT CABLES

## View



- Male Pico-style
- Snap-in device
- With moulded cable
- PUR/PVC offers superior resistance to oils and chemicals and abrasions

## Dimensional data



## Technical Data

Application Class: HNE acc.to DIN 40040  
 (-25 °C / +90 °C / ≤ 75%rF)

Moulded Body: TPU, self-extinguishing

Nominal Power: 4A

Nominal Voltage: 60VAC/75VDC

Contact: CuZn, pre-nickled and 0.8microns gold-plated

Body: TPU, self-extinguishing

O-Ring: Viton

Protection: IP 65

Contact Resistance: ≤ 5m Ω

Insulation Group: C acc.to VDE 0110

Test Voltage: 1.5 KV eff./ 60 s.

Insulation Resistance: >10<sup>9</sup> Ω

CSA certified: 219967







## Catalog Number

Part-No	Poles	Face View male	Color Code	Conductors		Outer Jacket	
				Guage	Stranding	φ mm	Material
C-MS3/2NZV062	3		1=brown 3=blue 4=-	0.34mm <sup>2</sup>	42 x φ0.10	5.0	PVC
C-MS3/2NZU042	3		1=brown 3=blue 4=-	0.34mm <sup>2</sup>	42 x φ0.10	5.0	PUR
C-MS5NZV1092	5		1=brown 2=white 3=blue 4=black 5=gray	0.34mm <sup>2</sup>	42x φ0.10	6.0	PVC
C-MS5NZU1102	5		1=brown 2=white 3=blue 4=black 5=gray	0.50mm <sup>2</sup>	16x φ0.20	6.0	PUR

Standard length: 2.0 m and 5.0 m.7.5m,10.0m. Other cable length or cable specifications on request.



# PICO-STYLE QUICK DISCONNECT CABLES

Catalog Number							
Part-No	Poles	Face View male	Color Code	Conductors		Outer Jacket	
				Guage	Stranding	φ mm	Material
C-MA5NZV1092	5		1=brown 2=white 3=blue 4=black 5=gray	0.34mm <sup>2</sup>	42x φ 0.10	6.0	PVC
C-MA5NZU1102	5		1=brown 2=white 3=blue 4=black 5=gray	0.50mm <sup>2</sup>	16x φ 0.20	6.0	PUR
C-MS8NZV1112	8		1=white 2=brown 3=green 4=yellow 5=grey 6=pink 7=blue 8=red	0.50mm <sup>2</sup>	65x φ 0.10	7.2	PVC
C-MS8NZU1122	8		1=white 2=brown 3=green 4=yellow 5=grey 6=pink 7=blue 8=red	0.50mm <sup>2</sup>	65x φ 0.10	7.2	PUR
C-MA8NZV1112	8		1=white 2=brown 3=green 4=yellow 5=grey 6=pink 7=blue 8=red	0.50mm <sup>2</sup>	65x φ 0.10	7.2	PVC
C-MA8NZU1122	8		1=white 2=brown 3=green 4=yellow 5=grey 6=pink 7=blue 8=red	0.50mm <sup>2</sup>	65x φ 0.10	7.2	PUR

Standard length: 2.0 m and 5.0 m.7.5m,10.0m. Other cable length or cable specifications on request.

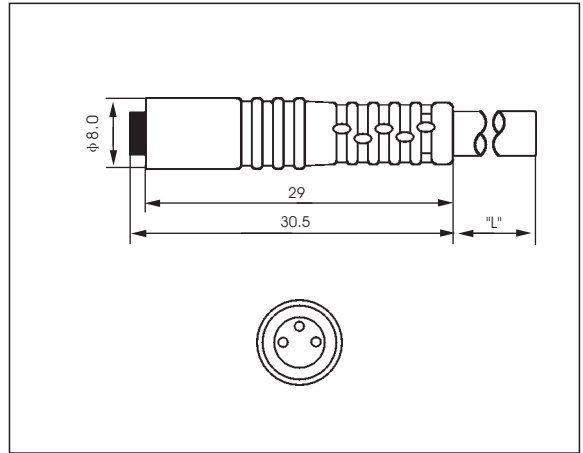
# PICO-STYLE QUICK DISCONNECT CABLES

## View



- Female Pico-style
- Snap-in device
- With moulded cable
- PUR/PVC offers superior resistance to oils and chemicals and abrasions

## Dimensional data



## Technical Data

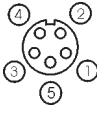
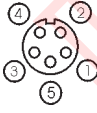
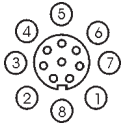
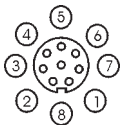
Application Class:	HNE acc.to DIN 40040 (-25 °C / +90 °C / ≤ 75%rF)	Body:	TPU, self-extinguishing
Moulded Body:	TPU, self-extinguishing	O-Ring:	Viton
Nominal Power:	4A	Protection:	IP 65
Nominal Voltage:	60VAC/75VDC	Contact Resistance:	≤ 5mΩ
Contact:	CuZn, pre-nickel and 0.8microns gold-plated	Insulation Group:	C acc.to VDE 0110
		Test Voltage:	1.5 KV eff./ 60 s.
		Insulation Resistance:	>10 <sup>9</sup> Ω
		CSA certified:	219967

## Catalog Number

Part-No	Poles	Face View female	Color Code	Conductors		Outer Jacket	
				Guage	Stranding	φ mm	Material
C-FS3NZV062	3		1=brown 3=blue 4=black	0.34mm <sup>2</sup>	42 x φ0.10	5.0	PVC
C-FS3NZY042				0.34mm <sup>2</sup>	42 x φ0.10	5.0	PUR/PVC
C-FS4NZV072	4		1=brown 2=white 3=blue 4=black	0.25mm <sup>2</sup>	32 x φ0.10	5.0	PVC
C-FS4NZY872				0.25mm <sup>2</sup>	32 x φ0.10	5.0	PUR/PVC

Standard length: 2.0 m, 3.0 m, 7.5 m, 10.0 m. Other cable length or cable specifications on request.

# PICO-STYLE QUICK DISCONNECT CABLES

Catalog Number							
Part-No	Poles	Face View female	Color Code	Conductors		Outer Jacket	
				Guage	Stranding	φ mm	Material
C-FS5NZV1092/A	5		1=brown 2=white 3=blue 4=black 5=gray	0.34mm <sup>2</sup>	42x φ 0.10	6.0	PVC
C-FS5NZY1102	5		1=brown 2=white 3=blue 4=black 5=gray	0.50mm <sup>2</sup>	16x φ 0.20	6.0	PUR/PVC
C-FS8NZV1112/A	8		1=white 2=brown 3=green 4=yellow 5=grey 6=pink 7=blue 8=red	0.50mm <sup>2</sup>	65x φ 0.10	7.2	PVC
C-FS8NZY1122	8		1=white 2=brown 3=green 4=yellow 5=grey 6=pink 7=blue 8=red	0.50mm <sup>2</sup>	65x φ 0.10	7.2	PUR/PVC

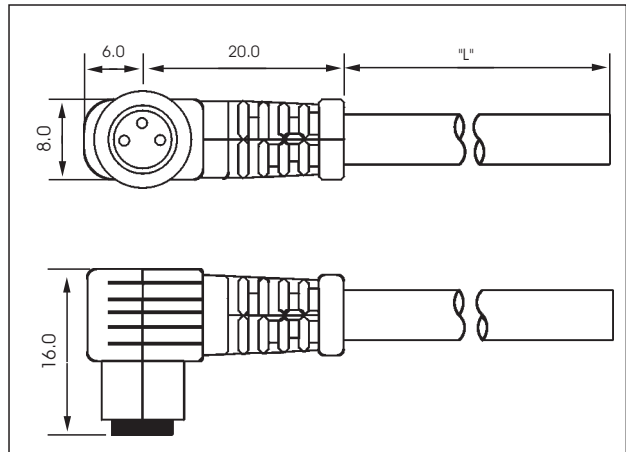
Standard length: 2.0 m, 3.0 m, 7.5 m, 10.0 m. Other cable length or cable specifications on request.

# PICO-STYLE QUICK DISCONNECT CABLES

## View Dimensional data



- Female pico-style
- Right-angle
- Snap-in device
- With moulded cable



## Technical Data

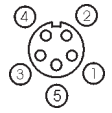
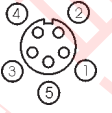
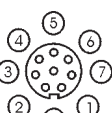
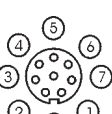
Application Class:	HNE acc. to DIN 40040 (-25 °C / +90 °C / ≤ 75%rF)	Body:	TPU, self-extinguishing
Moulded Body:	TPU, self-extinguishing	O-Ring:	Viton
Nominal Power:	4A	Protection:	IP 65
Nominal Voltage:	60 VAC/75 VDC	Contact Resistance:	≤ 5m Ω
Contact:	CuZn, pre-nickeled and 0.8 microns gold-plated	Insulation Group:	C acc.to VDE 0110
		Test Voltage:	1.5 KV eff./ 60 s.
		Insulation Resistance:	>10 <sup>9</sup> Ω
		CSA certified:	219967

## Catalog Number

Part-No	Poles	Face View female	Color Code	Conductors		Outer Jacket	
				Guage	Stranding	φ mm	Material
C-FA3NZV062	3		1=brown 3=blue 4=black	0.34mm <sup>2</sup>	42 x φ0.10	5.0	PVC
C-FA3NZY042				0.34mm <sup>2</sup>	42 x φ0.10	5.0	PUR/PVC
C-FA4NZV072	4		1=brown 2=white 3=blue 4=black	0.25mm <sup>2</sup>	32 x φ0.10	5.0	PVC
C-FA4NZY872				0.25mm <sup>2</sup>	32 x φ0.10	5.0	PUR/PVC

Standard length: 2.0 m, 3.0 m, 7.5 m, 10.0 m. Other cable length or cable specifications on request.

# PICO-STYLE QUICK DISCONNECT CABLES

Catalog Number							
Part-No	Poles	Face View female	Color Code	Conductors		Outer Jacket	
				Guage	Stranding	φ mm	Material
C-FA5NZV1132	5		1=brown 2=white 3=blue 4=black 5=gray	0.34mm <sup>2</sup>	42x φ0.10	6.0	PVC
C-FA5NZY1142	5		1=brown 2=white 3=blue 4=black 5=gray	0.50mm <sup>2</sup>	16x φ0.20	6.0	PUR
C-FA8NZV1152	8		1=white 2=brown 3=green 4=yellow 5=grey 6=pink 7=blue 8=red	0.50mm <sup>2</sup>	65x φ0.10	7.2	PVC
C-FA8NZY1162	8		1=white 2=brown 3=green 4=yellow 5=grey 6=pink 7=blue 8=red	0.50mm <sup>2</sup>	65x φ0.10	7.2	PUR

Standard length: 2.0 m, 3.0 m, 7.5 m, 10.0 m. Other cable length or cable specifications on request.

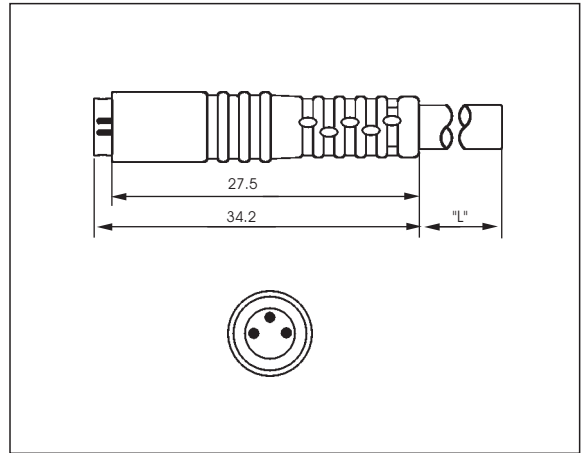
# PICO-STYLE QUICK DISCONNECT CABLES

## View



- Straight Male pico-style
- Snap-in and locking device
- With moulded cable

## Dimensional data



## Technical Data

Application Class: HNE acc.to DIN 40040  
 (-25 °C +90 °C / ≤ 75%rF)

Moulded Body: PA6.6,self-extinguishing

Nominal Power: 4A

Nominal Voltage: 60VAC/75VDC

Contact: CuZn,pre-nickel and  
 0.8 microns gold-plated

Body: TPU,self-extinguishing

Insulation Group: C acc.to VDE 0110

Protection: IP 65

Test Voltage: 1.5 KV eff./ 60 s.

Insulation Resistance: >10<sup>9</sup> Ω





CSA certified: 219967

## Catalog Number

Part-No	Poles	Face View male	Color Code	Conductors		Outer Jacket	
				Guage	Stranding	φ mm	Material
C-MS3NZV062	3		1=brown 3=blue 4=black	0.34mm <sup>2</sup>	42 x φ0.10	5.0	PVC
C-MS3NZY042				0.34mm <sup>2</sup>	42 x φ0.10	5.0	PUR/PVC
C-MS4NZV072	4		1=brown 2=white 3=blue 4=black	0.25mm <sup>2</sup>	32 x φ0.10	5.0	PVC
C-MS4NZY872				0.25mm <sup>2</sup>	32 x φ0.10	5.0	PUR/PVC

Standard length: 2.0 m, 5.0 m, 7.5 m, 10.0 m. Other cable length or cable specifications on request.

# PICO-STYLE QUICK DISCONNECT CABLES

Catalog Number							
Part-No	Poles	Face View male	Color Code	Conductors		Outer Jacket	
				Guage	Stranding	φ mm	Material
C-MS5NZV1092/A	5		1=brown 2=white 3=blue 4=black 5=gray	0.34mm <sup>2</sup>	42x φ 0.10	6.0	PVC
C-MS5NZY1102	5		1=brown 2=white 3=blue 4=black 5=gray	0.50mm <sup>2</sup>	16x φ 0.20	6.0	PUR
C-MS8NZV1112/A	8		1=white 2=brown 3=green 4=yellow 5=grey 6=pink 7=blue 8=red	0.50mm <sup>2</sup>	65x φ 0.10	7.2	PVC
C-MS8NZY1122	8		1=white 2=brown 3=green 4=yellow 5=grey 6=pink 7=blue 8=red	0.50mm <sup>2</sup>	65x φ 0.10	7.2	PUR

Standard length: 2.0 m, 5.0 m, 7.5 m, 10.0 m. Other cable length or cable specifications on request.

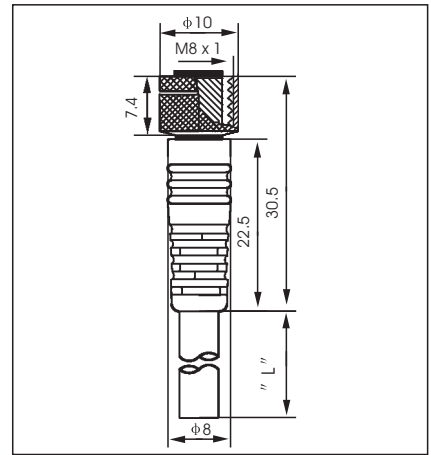
# PICO-STYLE QUICK DISCONNECT CABLES

## View



- Female pico-style
- Screw locking with (auto) securing safety nut
- With moulded cable

## Dimensional data



## Technical Data

Application Class:	HNE acc.to DIN 40040 (-25 °C / +90 °C / ≤ 75%rF)	Body:	TPU, self-extinguishing
Moulded Body:	TPU, self-extinguishing	Securing Safety Nut:	Nickel plated brass
Nominal Power:	4A	Protection:	IP 67
Nominal Voltage:	60VAC/75VDC	Contact Resistance:	≤ 5m Ω
Contact:	CuZn, pre-nickeled and 0.8microns gold-plated	Insulation Group:	C acc.to VDE 0110
O-Ring:	Viton	Test Voltage:	1.5 KV eff./ 60 s.
		Insulation Resistance:	>10 <sup>9</sup> Ω
		CSA certified:	219967

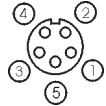
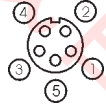
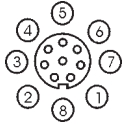
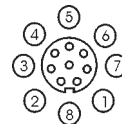
## Catalog Number

Part-No	Poles	Face View female	Color Code	Conductors		Outer Jacket	
				Guage	Stranding	φmm	Material
C-FS3TZV062	3		1=brown 3=blue 4=black	0.34mm <sup>2</sup>	42x φ 0.10	5.0	PVC
C-FS3TZY042	3		1=brown 3=blue 4=black	0.34mm <sup>2</sup>	42x φ 0.10	5.0	PUR/PVC
C-FS4TZV072	4		1=brown 2=white 3=blue 4=black	0.25mm <sup>2</sup>	32x φ 0.10	5.0	PVC
C-FS4TZY872	4		1=brown 2=white 3=blue 4=black	0.25mm <sup>2</sup>	32x φ 0.10	5.0	PUR/PVC

Standard length: 2.0 m, 3.0 m, 7.5 m, 10.0 m. Other cable length or cable specifications on request.


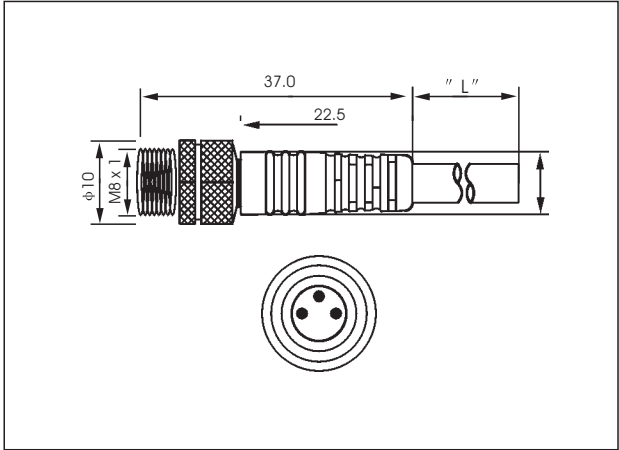


# PICO-STYLE QUICK DISCONNECT CABLES

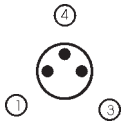

Catalog Number							
Part-No	Poles	Face View female	Color Code	Conductors		Outer Jacket	
				Guage	Stranding	φmm	Material
C-FS5TZV1132	5		1=brown 2=white 3=blue 4=black 5=gray	0.34mm <sup>2</sup>	42x φ 0.10	6.0	PVC
C-FS5TZY1142	5		1=brown 2=white 3=blue 4=black 5=gray	0.50mm <sup>2</sup>	16x φ 0.20	6.0	PUR/PVC
C-FS8TZV1152	8		1=white 2=brown 3=green 4=yellow 5=grey 6=pink 7=blue 8=red	0.50mm <sup>2</sup>	65x φ 0.10	7.2	PVC
C-FS8TZY1162	8		1=white 2=brown 3=green 4=yellow 5=grey 6=pink 7=blue 8=red	0.50mm <sup>2</sup>	65x φ 0.10	7.2	PUR/PVC

Standard length: 2.0 m, 3.0 m, 7.5 m, 10.0 m. Other cable length or cable specifications on request.





# PICO-STYLE QUICK DISCONNECT CABLES

View	Dimensional data
 <ul style="list-style-type: none"> <li>Pico-style</li> <li>With freely rotating locking screw</li> <li>Moulded cable</li> </ul>	

Technical Data	
Application Class:	HNE acc. to DIN 40040 (-25 °C / +90 °C / ≤ 75%rF)
Moulded Body:	TPU, self-extinguishing
Nominal Power:	4A
Nominale Voltage:	60VAC/75VDC
Contact:	CuZn, pre-nickel and 0.8 microns gold-plated
Body:	TPU, self-extinguishing
Insulation Group:	C acc.to VDE 0110
Securing Safety Nut:	Nickel plated brass
Protection:	IP 67
Test Voltage:	1.5 KV eff./ 60 s.
Insulation Resistance:	>10 <sup>9</sup> Ω
CSA certified:	219967

Catalog Number							
Part-No	Poles	Face view male	Color code	Conductors		Outer Jacket	
				Guage	Stranding	φ mm	Material
C-MS3TZV062	3		1=brown 3=blue 4=black	0.34mm <sup>2</sup>	42 x φ0.10	5.0	PVC
C-MS3TZY042				0.34mm <sup>2</sup>	42 x φ0.10	5.0	PUR/PVC
C-MS4TZV072	4		1=brown 2=white 3=blue 4=black	0.25mm <sup>2</sup>	32 x φ0.10	5.0	PVC
C-MS4TZY872				0.25mm <sup>2</sup>	32 x φ0.10	5.0	PUR/PVC
Standard length: 2.0 m, 5.0 m, 7.5 m, 10.0 m. Other cable length or cable specifications on request.							

# PICO-STYLE QUICK DISCONNECT CABLES

Catalog Number							
Part-No	Poles	Face View male	Color Code	Conductors		Outer Jacket	
				Guage	Stranding	φmm	Material
C-MS5TZV1132	5		1=brown 2=white 3=blue 4=black 5=gray	0.34mm <sup>2</sup>	42x φ 0.10	6.0	PVC
C-MS5TZY1142	5		1=brown 2=white 3=blue 4=black 5=gray	0.50mm <sup>2</sup>	16x φ 0.20	6.0	PUR/PVC
C-MS8TZV1152	8		1=white 2=brown 3=green 4=yellow 5=grey 6=pink 7=blue 8=red	0.50mm <sup>2</sup>	65x φ 0.10	7.2	PVC
C-MS8TZY1162	8		1=white 2=brown 3=green 4=yellow 5=grey 6=pink 7=blue 8=red	0.50mm <sup>2</sup>	65x φ 0.10	7.2	PUR/PVC

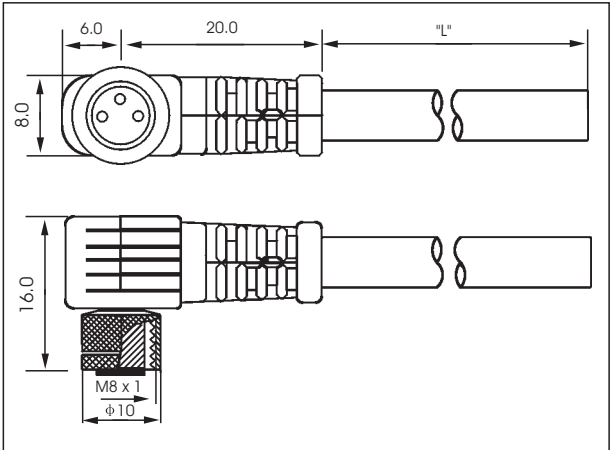
Standard length: 2.0 m, 3.0 m, 7.5 m, 10.0 m. Other cable length or cable specifications on request.

# PICO-STYLE QUICK DISCONNECT CABLES

## View Dimensional data



- Female pico-style
- Right-angle
- With built-in LED
- Screw locking with (auto) securing safety nut
- With moulded cable



## Technical Data

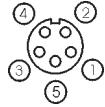

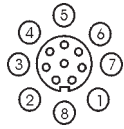
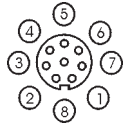
Application Class:	HNE acc.to DIN 40040 (-25 °C / +90 °C / ≤ 75%rF)	Body:	TPU, self-extinguishing
Moulded Body:	TPU, self-extinguishing	Securing Safety Nut:	Nickel plated brass
Nominal Power:	4A	Protection:	IP 67
Nominal Voltage:	60VAC/75VDC	Contact Resistance:	≤ 5m Ω
Contact:	CuZn, pre-nickeled and 0.8microns gold-plated	Insulation Group:	C acc.to VDE 0110
O-Ring:	Viton	Test Voltage:	1.5 KV eff./ 60 s.
		Insulation Resistance:	>10 <sup>9</sup> Ω
		CSA certified:	219967

## Catalog Number

Part-No	Poles	Face View female	Color Code	Conductors		Outer Jacket	
				Guage	Stranding	φmm	Material
C-FA3TZV062	3		1=brown 3=blue 4=black	0.34mm <sup>2</sup>	42x φ 0.10	5.0	PVC
C-FA3TZY042	3		1=brown 3=blue 4=black	0.34mm <sup>2</sup>	42x φ 0.10	5.0	PUR/PVC
C-FA4TZV072	4		1=brown 2=white 3=blue 4=black	0.25mm <sup>2</sup>	32x φ 0.10	5.0	PVC
C-FA4TZY872	4		1=brown 2=white 3=blue 4=black	0.25mm <sup>2</sup>	32x φ 0.10	5.0	PUR/PVC

Standard length: 2.0 m, 3.0 m, 7.5 m, 10.0 m. Other cable length or cable specifications on request.

# PICO-STYLE QUICK DISCONNECT CABLES

Catalog Number							
Part-No	Poles	Face View female	Color Code	Conductors		Outer Jacket	
				Guage	Stranding	φmm	Material
C-FA5TZV1132	5		1=brown 2=white 3=blue 4=black 5=gray	0.34mm <sup>2</sup>	42x φ 0.10	6.0	PVC
C-FA5TZY1142	5		1=brown 2=white 3=blue 4=black 5=gray	0.50mm <sup>2</sup>	16x φ 0.20	6.0	PUR/PVC
C-FA8TZV1152	8		1=white 2=brown 3=green 4=yellow 5=grey 6=pink 7=blue 8=red	0.50mm <sup>2</sup>	65x φ 0.10	7.2	PVC
C-FA8TZY1162	8		1=white 2=brown 3=green 4=yellow 5=grey 6=pink 7=blue 8=red	0.50mm <sup>2</sup>	65x φ 0.10	7.2	PUR/PVC

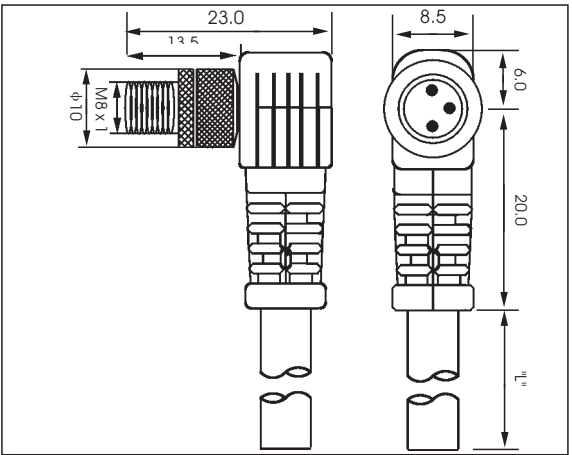
Standard length: 2.0 m, 3.0 m, 7.5 m, 10.0 m. Other cable length or cable specifications on request.

# PICO-STYLE QUICK DISCONNECT CABLES

## View Dimensional data



- Right-angle
- With freely rotating locking screw
- Moulded cable



## Technical Data





Application Class:	HNE acc.to DIN 40040 (-25 °C / +90 °C / ≤ 75%rF)	Body:	TPU, self-extinguishing
Moulded Body:	TPU, self-extinguishing	Insulation Group:	C acc.to VDE 0110
Nominal Power:	4A	Securing Safety Nut:	Nickel plated brass
Nominal Voltage:	60VAC/75VDC	Protection:	IP 67
Contact:	CuZn, pre-nickelated and 0.8microns gold-plated	Test Voltage:	1.5 KV eff./ 60 s.
		Insulation Resistance:	> 10 <sup>9</sup> Ω
		CSA certified:	219967

## Catalog Number

Part-No	Poles	Face View male	Color Code	Conductors		Outer Jacket	
				Guage	Stranding	φ mm	Material
C-MA3TZV062	3		1=brown 3=blue 4=black	0.34mm <sup>2</sup>	42 x φ0.10	5.0	PVC
C-MA3TZY042	3		1=brown 3=blue 4=black	0.34mm <sup>2</sup>	42 x φ0.10	5.0	PUR/PVC
C-MA4TZV072	4		1=brown 2=white 3=blue 4=black	0.25mm <sup>2</sup>	32 x φ0.10	5.0	PVC
C-MA4TZY872	4		1=brown 2=white 3=blue 4=black	0.25mm <sup>2</sup>	32 x φ0.10	5.0	PUR/PVC

Standard length: 2.0 m, 5.0 m, 7.5 m, 10.0 m. Other cable length or cable specifications on request.

# PICO-STYLE QUICK DISCONNECT CABLES

Catalog Number							
Part-No	Poles	Face View male	Color Code	Conductors		Outer Jacket	
				Guage	Stranding	φmm	Material
C-MA5TZV1132	5		1=brown 2=white 3=blue 4=black 5=gray	0.34mm <sup>2</sup>	42x φ 0.10	6.0	PVC
C-MA5TZY1142	5		1=brown 2=white 3=blue 4=black 5=gray	0.50mm <sup>2</sup>	16x φ 0.20	6.0	PUR/PVC
C-MA8TZV1152	8		1=white 2=brown 3=green 4=yellow 5=grey 6=pink 7=blue 8=red	0.50mm <sup>2</sup>	65x φ 0.10	7.2	PVC
C-MA8TZY1162	8		1=white 2=brown 3=green 4=yellow 5=grey 6=pink 7=blue 8=red	0.50mm <sup>2</sup>	65x φ 0.10	7.2	PUR/PVC

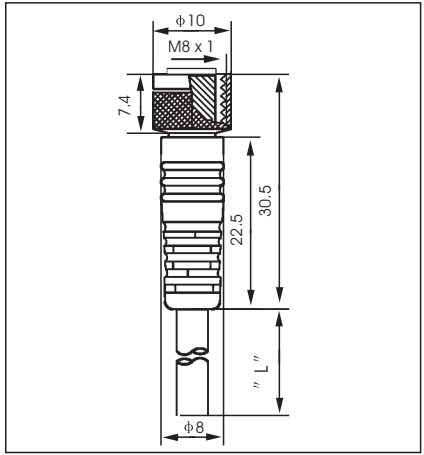
Standard length: 2.0 m, 3.0 m, 7.5 m, 10.0 m. Other cable length or cable specifications on request.

# PICO-STYLE QUICK DISCONNECT CABLES

## View Dimensional data



- Female pico-style
- Screw locking with (auto) securing safety nut
- With moulded cable



## Technical Data

Application Class:	HNE acc.to DIN 40040 (-25 °C / +90 °C / ≤ 75%rF)	Body:	TPU, self-extinguishing
Moulded Body:	TPU, self-extinguishing	Securing Safety Nut:	Nickel plated brass
Nominal Power:	4A	Protection:	IP 67
Nominal Voltage:	60VAC/75VDC	Contact Resistance:	≤ 5m Ω
Contact:	CuZn, pre-nickeled and 0.8microns gold-plated	Insulation Group:	C acc.to VDE 0110
O-Ring:	Viton	Test Voltage:	1.5 KV eff./ 60 s.
		Insulation Resistance:	>10 <sup>9</sup> Ω
		CSA certified:	219967

## Catalog Number

Part-No	Poles	Face View female	Color Code	Conductors		Outer Jacket	
				Guage	Stranding	φmm	Material
C-FS5TZV1092	5		1=brown 2=white 3=blue 4=black 5=gray	0.34mm <sup>2</sup>	42x φ 0.10	6.0	PVC
C-FS8TZV1112	8		1=white 2=brown 3=green 4=yellow 5=grey 6=pink 7=blue 8=red	0.50mm <sup>2</sup>	65x φ 0.10	7.2	PVC

Standard length: 2.0 m, 3.0 m, 7.5 m, 10.0 m. Other cable length or cable specifications on request.



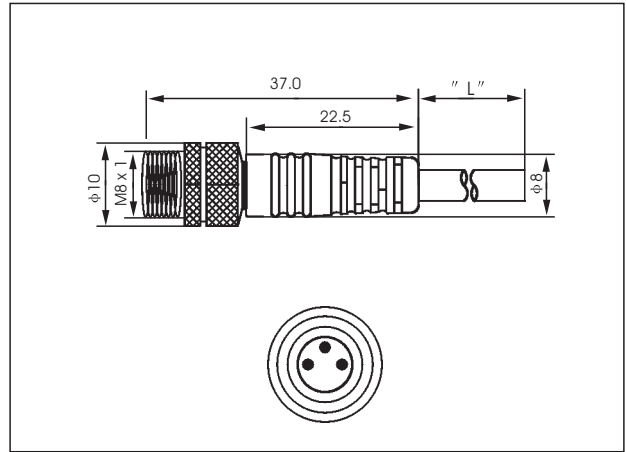
# PICO-STYLE QUICK DISCONNECT CABLES

## View



- Pico-style
- With freely rotating locking screw
- Moulded cable

## Dimensional data



## Technical Data

Application Class: HNE acc. to DIN 40040  
(-25 °C / +90 °C / ≤ 75%rF)

Moulded Body: TPU, self-extinguishing

Nominal Power: 4A

Nominal Voltage: 60VAC/75VDC

Contact: CuZn, pre-nickelated and  
0.8 microns gold-plated

Body: TPU, self-extinguishing

Insulation Group: C acc.to VDE 0110

Securing Safety Nut: Nickel plated brass


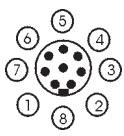
Protection: IP 67

Test Voltage: 1.5 KV eff./ 60 s.

Insulation Resistance: >10<sup>9</sup> Ω

CSA certified: 219967

## Catalog Number

Part-No	Poles	Face view male	Color code	Conductors		Outer Jacket	
				Guage	Stranding	φ mm	Material
C-MS5TZV1092	5		1=brown 2=white 3=blue 4=black 5=gray	0.34mm <sup>2</sup>	42x φ 0.10	6.0	PVC
C-MS8TZV1112	8		1=white 2=brown 3=green 4=yellow 5=grey 6=pink 7=blue 8=red	0.50mm <sup>2</sup>	65x φ 0.10	7.2	PVC

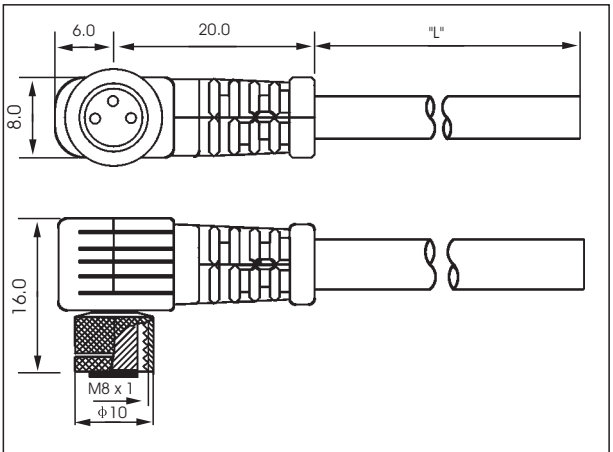
Standard length: 2.0 m, 5.0 m, 7.5 m, 10.0 m. Other cable length or cable specifications on request.

# PICO-STYLE QUICK DISCONNECT CABLES

## View Dimensional data



- Female pico-style
- Right-angle
- With built-in LED
- Screw locking with (auto) securing safety nut
- With moulded cable



## Technical Data


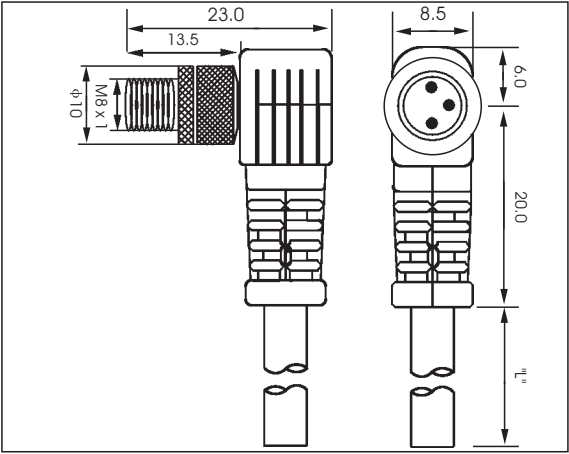
Application Class:	HNE acc.to DIN 40040 (-25 °C / +90 °C / ≤ 75%rF)	Body:	TPU, self-extinguishing
Moulded Body:	TPU, self-extinguishing	Securing Safety Nut:	Nickel plated brass
Nominal Power:	4A	Protection:	IP 67
Nominal Voltage:	60VAC/75VDC	Contact Resistance:	≤ 5m Ω
Contact:	CuZn, pre-nickeled and 0.8microns gold-plated	Insulation Group:	C acc.to VDE 0110
O-Ring:	Viton	Test Voltage:	1.5 KV eff./ 60 s.
		Insulation Resistance:	>10 <sup>9</sup> Ω
		CSA certified:	219967

## Catalog Number



Part-No	Poles	Face View female	Color Code	Conductors		Outer Jacket	
				Guage	Stranding	φmm	Material
C-FA5TZV1092	5		1=brown 2=white 3=blue 4=black 5=gray	0.34mm <sup>2</sup>	42x φ 0.10	6.0	PVC
C-FA8TZV1112	8		1=white 2=brown 3=green 4=yellow 5=grey 6=pink 7=blue 8=red	0.50mm <sup>2</sup>	65x φ 0.10	7.2	PVC

Standard length: 2.0 m, 3.0 m, 7.5 m, 10.0 m. Other cable length or cable specifications on request.

# PICO-STYLE QUICK DISCONNECT CABLES

View	Dimensional data
 <ul style="list-style-type: none"> <li>Right-angle</li> <li>With freely rotating locking screw</li> <li>Moulded cable</li> </ul>	

Technical Data	
Application Class: HNE acc.to DIN 40040 (-25 °C / +90 °C / ≤ 75%rF)	Body: TPU, self-extinguishing
Moulded Body: TPU, self-extinguishing	Insulation Group: C acc.to VDE 0110
Nominal Power: 4A	Securing Safety Nut: Nickel plated brass
Nominal Voltage: 60VAC/75VDC	Protection: IP 67
Contact: CuZn, pre-nickelated and 0.8microns gold-plated	Test Voltage: 1.5 KV eff./ 60 s.
	Insulation Resistance: > 10 <sup>9</sup> Ω
	CSA certified: 219967

Catalog Number							
Part-No	Poles	Face View male	Color Code	Conductors		Outer Jacket	
				Guage	Stranding	φ mm	Material
C-MA5TZV1092	5		1=brown 2=white 3=blue 4=black 5=gray	0.34mm <sup>2</sup>	42x φ 0.10	6.0	PVC
C-MA8TZV1112	8		1=white 2=brown 3=green 4=yellow 5=grey 6=pink 7=blue 8=red	0.50mm <sup>2</sup>	65x φ 0.10	7.2	PVC

Standard length: 2.0 m, 5.0 m, 7.5 m, 10.0 m. Other cable length or cable specifications on request.

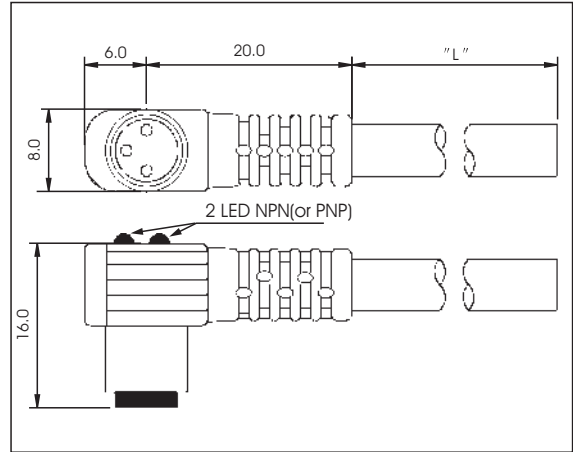
# PICO-STYLE QUICK DISCONNECT CABLES

## View



- Female Pico-style
- Right-angle
- With built-in LED
- Snap-in device
- With moulded cable

## Dimensional data



## Technical Data

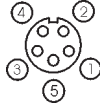
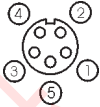






Application Class:	HNE acc.to DIN 40040 (-25 °C / +110 °C / ≤ 75%rF)	Body:	TPU, self-extinguishing
Moulded Body:	TPU, self-extinguishing	O-Ring:	Viton
Nominal Power:	4A	Protection:	IP 65
Nominal Voltage:	10-30 VDC	Contact Resistance:	≤ 5m Ω
Contact:	CuZn, pre-nickel and 0.8microns gold-plated	Insulation Group:	C acc.to VDE 0110
		Insulation Resistance:	>10 <sup>9</sup> Ω

## Catalog Number

Part-No	Poles	Face View female/male	Color Code	Conductors		Outer Jacket		Circuit LED-indicator
				Guage	Stranding	φ mm	Material	
C-FA3NPV062	3	Female 	1=brown 3=blue 4=black	0.34mm <sup>2</sup>	42 x φ0-10	5.0	PVC	pnp-normally open =yellow-green 
C-FA3NPY042				0.34mm <sup>2</sup>	42 x φ0-10	5.0	PUR/PVC	
C-FA3NNV062	3	Female 	1=brown 3=blue 4=black	0.34mm <sup>2</sup>	42 x φ0-10	5.0	PVC	npn-normally open =yellow-green 
C-FA3NNY042				0.34mm <sup>2</sup>	42 x φ0-10	5.0	PUR/PVC	

Standard length: 2.0 m, 3.0 m, 7.5 m, 10.0 m. Other cable length or cable specifications on request.

# PICO-STYLE QUICK DISCONNECT CABLES

Catalog Number							
Part-No	Poles	Face View female/male	Color Code	Conductors		Outer Jacket	
				Guage	Stranding	φ mm	Material
C-FS5NNV1132	5	Female 	1=brown 2=white 3=blue 4=black 5=gray	0.34mm <sup>2</sup>	42x φ 0.10	6.0	PVC
C-FS5NNY1142				0.50mm <sup>2</sup>	16x φ 0.20		PUR/PVC
C-FA5NPV1132	5	Female 	1=brown 2=white 3=blue 4=black 5=gray	0.34mm <sup>2</sup>	42x φ 0.10	6.0	PVC
C-FA5NPY1142				0.50mm <sup>2</sup>	16x φ 0.20		PUR/PVC
C-FS8NNV1152	8	Female 	1=white 2=brown 3=green 4=yellow 5=grey 6=pink 7=blue 8=red	0.50mm <sup>2</sup>	65x φ 0.10	7.2	PVC
C-FS8NNY1162							PUR/PVC
C-FA8NNV1152	8	Female 	1=white 2=brown 3=green 4=yellow 5=grey 6=pink 7=blue 8=red	0.50mm <sup>2</sup>	65x φ 0.10	7.2	PVC
C-FA8NNY1162							PUR/PVC
C-MS5NNV1132	5	Male 	1=brown 2=white 3=blue 4=black 5=gray	0.34mm <sup>2</sup>	42x φ 0.10	6.0	PVC
C-MS5NNY1142				0.50mm <sup>2</sup>	16x φ 0.20		PUR/PVC
C-MA5NNV1132	5	Male 	1=brown 2=white 3=blue 4=black 5=gray	0.34mm <sup>2</sup>	42x φ 0.10	6.0	PVC
C-MA5NNY1142				0.50mm <sup>2</sup>	16x φ 0.20		PUR/PVC
C-MS8NNV1152	8	Male 	1=white 2=brown 3=green 4=yellow 5=grey 6=pink 7=blue 8=red	0.50mm <sup>2</sup>	65x φ 0.10	7.2	PVC
C-MS8NNY1162							PUR/PVC
C-MA8NNV1152	8	Male 	1=white 2=brown 3=green 4=yellow 5=grey 6=pink 7=blue 8=red	0.50mm <sup>2</sup>	65x φ 0.10	7.2	PVC
C-MA8NNY1162							PUR/PVC

Standard length: 2.0 m, 3.0 m, 7.5 m, 10.0 m. Other cable length or cable specifications on request.

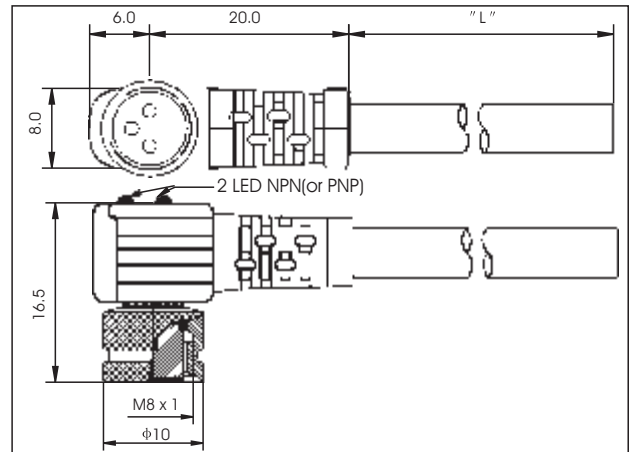
# PICO-STYLE QUICK DISCONNECT CABLES

## View



- Female pico-style
- Right-angle
- With built-in LED
- Screw locking with (auto) securing safety nut
- With moulded cable

## Dimensional data



## Technical Data

Application Class: HNE acc. to DIN 40040

(-25 °C / +90 °C / ≤ 75%rF)

Moulded Body: TPU, self-extinguishing

Nominal Power: 4A

Nominal Voltage: 10-30 VDC

Contact: CuZn, pre-nickeled and  
0.8 microns gold-plated

Body: TPU, self-extinguishing

Securing Safety Nut: Nickel plated brass

O-Ring: Viton

Protection: IP 68

Contact Resistance: ≤ 5m Ω

Insulation Group: C acc.to VDE 0110

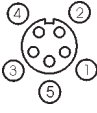
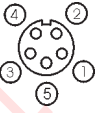






Insulation Resistance: >10<sup>9</sup>Ω

## Catalog Number

Part-No	Poles	Face View female/male	Color Code	Conductors		Outer Jacket		Circuit LED-indicator
				Guage	Stranding	φ mm	Material	
C-FA3TPV062	3	<b>Female</b> 	1=brown 3=blue 4=black	0.34mm <sup>2</sup>	42x φ 0.10	5.0	PVC	pnp-normally open =yellow-green 
C-FA3TPY042				0.34mm <sup>2</sup>	42x φ 0.10	5.0	PUR/PVC	
C-FA3TNV062	3	<b>Female</b> 	1=brown 3=blue 4=black	0.34mm <sup>2</sup>	42x φ 0.10	5.0	PVC	npn-normally open =yellow-green 
C-FA3TNY042				0.34mm <sup>2</sup>	42x φ 0.10	5.0	PUR/PVC	

Standard length: 2.0 m, 3.0 m, 7.5 m, 10.0 m. Other cable length or cable specifications on request.

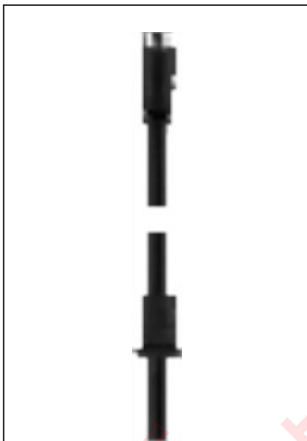
# PICO-STYLE QUICK DISCONNECT CABLES

Catalog Number							
Part-No	Poles	Face View female/male	Color Code	Conductors		Outer Jacket	
				Guage	Stranding	φ mm	Material
C-FS5TNV1132	5	<b>Female</b> 	1=brown 2=white 3=blue 4=black 5=gray	0.34mm <sup>2</sup>	42x φ 0.10	6.0	PVC
C-FS5TNY1142				0.50mm <sup>2</sup>	16x φ 0.20		PUR/PVC
C-FA5TNV1132	5	<b>Female</b> 	1=brown 2=white 3=blue 4=black 5=gray	0.34mm <sup>2</sup>	42x φ 0.10	6.0	PVC
C-FA5TNY1142				0.50mm <sup>2</sup>	16x φ 0.20		PUR/PVC
C-FS8TPV1152	8	<b>Female</b> 	1=white 2=brown 3=green 4=yellow 5=grey 6=pink 7=blue 8=red	0.50mm <sup>2</sup>	65x φ 0.10	7.2	PVC
C-FS8TPY1162							PUR/PVC
C-FA8TNV1152	8	<b>Female</b> 	1=white 2=brown 3=green 4=yellow 5=grey 6=pink 7=blue 8=red	0.50mm <sup>2</sup>	65x φ 0.10	7.2	PVC
C-FA8TNY1162							PUR/PVC
C-MS5TNV1132	5	<b>Male</b> 	1=brown 2=white 3=blue 4=black 5=gray	0.34mm <sup>2</sup>	42x φ 0.10	6.0	PVC
C-MS5TNY1142				0.50mm <sup>2</sup>	16x φ 0.20		PUR/PVC
C-MA5TNV1132	5	<b>Male</b> 	1=brown 2=white 3=blue 4=black 5=gray	0.34mm <sup>2</sup>	42x φ 0.10	6.0	PVC
C-MA5TNY1142				0.50mm <sup>2</sup>	16x φ 0.20		PUR/PVC
C-MS8TNV1152	8	<b>Male</b> 	1=white 2=brown 3=green 4=yellow 5=grey 6=pink 7=blue 8=red	0.50mm <sup>2</sup>	65x φ 0.10	7.2	PVC
C-MS8TNY1162							PUR/PVC
C-MA8TNV1152	8	<b>Male</b> 	1=white 2=brown 3=green 4=yellow 5=grey 6=pink 7=blue 8=red	0.50mm <sup>2</sup>	65x φ 0.10	7.2	PVC
C-MA8TNY1162							PUR/PVC

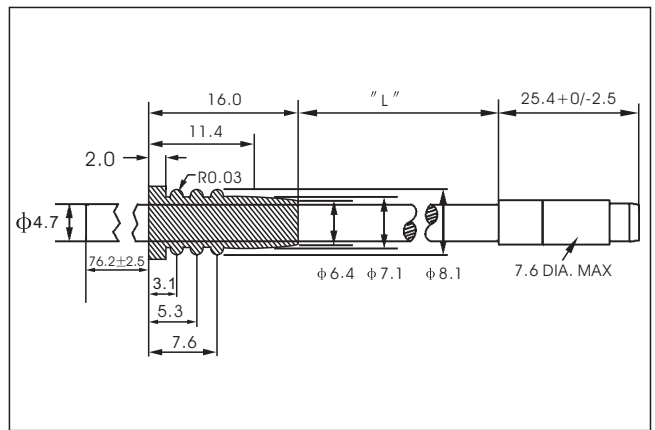
Standard length: 2.0 m, 3.0 m, 7.5 m, 10.0 m. Other cable length or cable specifications on request.

# PICO-STYLE QUICK DISCONNECT CABLES

## View Dimensional data



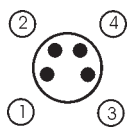
- Straight Male Pico-style
- Snap-in and locking device
- With moulded cable



## Technical Data

Application Class:	HNE acc.to DIN 40040 (-25 °C / +90 °C / ≤ 75%rF)	Body:	TPU & PVC, self-extinguishing
Moulded Body:	PA6.6, self-extinguishing	Insulation Group:	C acc.to VDE 0110
Nominal Power:	4A	Protection:	IP 65
Nominal Voltage:	60VAC/75VDC	Test Voltage:	1.5 KV eff. / 60 s.
Contact:	CuZn, pre-nickel and 0.8 microns gold-plated	Insulation Resistance:	>10 <sup>9</sup> Ω
		CSA certified:	219967


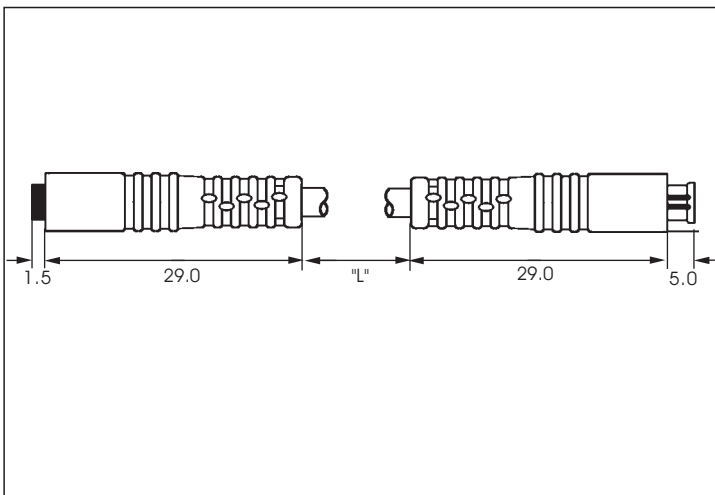
## Catalog Number

Part-No	Poles	Face View male	Color Code	Conductors		Outer Jacket	
				Guage	Stranding	φ mm	Material
C-MS4NZV072 +Overmolding	4		1=brown 2=white 3=blue 4=black	0.15mm <sup>2</sup>	13 x φ 0.12	5.0	PVC

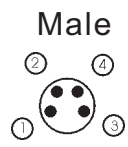
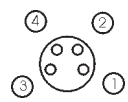
Standard length: 2.0 m, 5.0 m, 7.5 m, 10.0 m. Other cable length or cable specifications on request.



# CABLE EXTENSIONS, IP68(M8 TO M8)

View	Dimensional data
	
<ul style="list-style-type: none"> <li>● Cable Extensions</li> <li>● Male pico-style (M8)</li> <li>● Snap-in and locking device</li> <li>● Female pico-style (M8)</li> <li>● Snap-in and locking device</li> </ul>	

Technical Data	
Application Class:	HNE acc.to DIN 40040 (-25 °C /+90 °C / ≤ 75%rF)
Moulded Body:	TPU, self-extinguishing
Nominal Power:	4A
Nominal Voltage:	60VAC/75VDC
Contact:	CuZn, pre-nickeled and 0.8microns gold-plated
Body:	TPU, self-extinguishing
O-Ring:	Viton
Protection:	IP 68
Contact Resistance:	≤ 5mΩ
Insulation Group:	C acc.to VDE 0110
Test Voltage:	1.5 KV eff./ 60 s.
Insulation Resistance:	>10 <sup>9</sup> Ω
CSA certified:	219967

Catalog Number							
Part-No	Poles	Face View male/female	Color Code	Conductors		Outer Jacket	
				Guage	Stranding	φ mm	Material
C-FS4NZV072 + C-MS4NZV072	4	<p style="text-align: center;">Male</p>  <p style="text-align: center;">Female</p> 	1=brown 2=white 3=blue 4=black	0.25mm <sup>2</sup>	32 x φ 0.10	5.0	PVC
Standard length: 0.3m, 0.6m, 1.0m, 1.5m, 2.0m. Other cable length or cable specifications on request.							

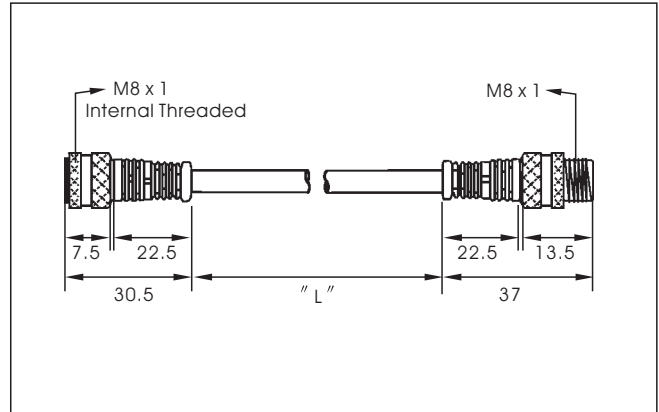
# CABLE EXTENSIONS, IP68 (M8 TO M8)

## View



- Cable Extensions
- Male Pico-style (M8) screw locking with (auto) securing safety nut
- Female Pico-style (M8) Screw locking with (auto) securing safety nut

## Dimensional data



## Technical Data

Application Class:	HNE acc.to DIN 40040 (-25 °C / +90 °C / ≤ 75%rF)	Body:	TPU, self-extinguishing
Moulded Body:	TPU, self-extinguishing	Securing Safety nut:	Nickel plated brass
Nominal Power:	4A	Protection:	IP 67
Nominal Voltage:	60VAC/75VDC	Contact Resistance:	≤ 5m Ω
Contact:	CuZn, pre-nickeled and 0.8microns gold-plated	Insulation Group:	C acc.to VDE 0110
O-Ring:	Viton	Test Voltage:	1.5 KV eff./ 60 s.
		Insulation Resistance:	>10 <sup>9</sup> Ω
		CSA certified:	219967

## Catalog Number

Part-No	Poles	Face View male/female	Color Code	Conductors		Outer Jacket	
				Guage	Stranding	φ mm	Material
C-MS4TZV072+C-FS4TZV072	4	<p>Male</p> <p>Female</p>	1=brown 2=white 3=blue 4=black	0.25mm <sup>2</sup>	32 x φ 0.10	5.0	PVC

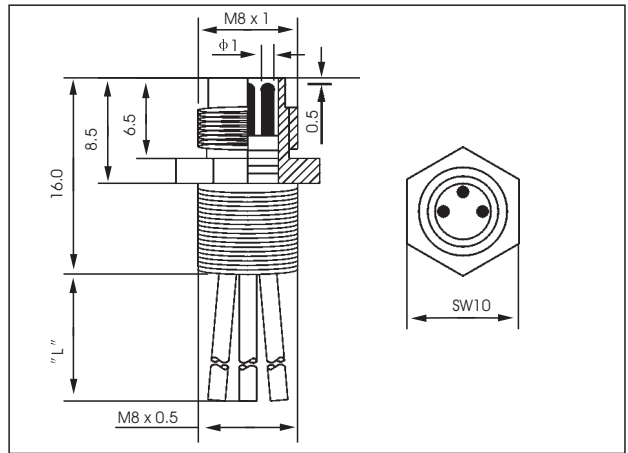
Standard length: 0.3m, 0.6m, 1.0m, 1.5m, 2.0m. Other cable length or cable specifications on request.

# PICO-STYLE QUICK DISCONNECT CABLES

## View Dimensional data



- Pico-style receptacle
- Front mounting
- Snap-in/locking device
- With wire ends
- Thread chassis side M8x0.5
- Solder contacts potted with epoxy



## Technical Data

Application Class:	HNE acc. to DIN 40040 (-25 °C / +90 °C / ≤ 75%rF)	Receptacle Housing:	Nickel plated brass
Insert:	POM	O-Ring:	Viton
Nominal Power:	4A	Protection:	IP 65
Nominal Voltage:	60VAC/75VDC	Insulation Group:	C acc.to VDE 0110
Contact:	CuZn, pre-nickel and 0.8 microns gold-plated	Test Voltage:	1.5 KV eff./ 60 s.
		Insulation Resistance:	>10 <sup>9</sup> Ω
		CSA certified:	219967

## Catalog Number

Part-No	Poles	Face view male	Color code	Conductors		Conductor insulation φ mm(single)
				Guage	Stranding	
C-MS3FZ/0.5/M8	3		1=brown 3=blue 4=black	0.25mm <sup>2</sup>	32x φ 0.10	1.4
C-MS4FZ/0.5/M8	4		1=brown 2=white 3=blue 4=black	0.25mm <sup>2</sup>	32x φ 0.10	1.4

Standard length: 2.0 m, 3.0 m, 7.5 m, 10.0 m. Other cable length or cable specifications on request.

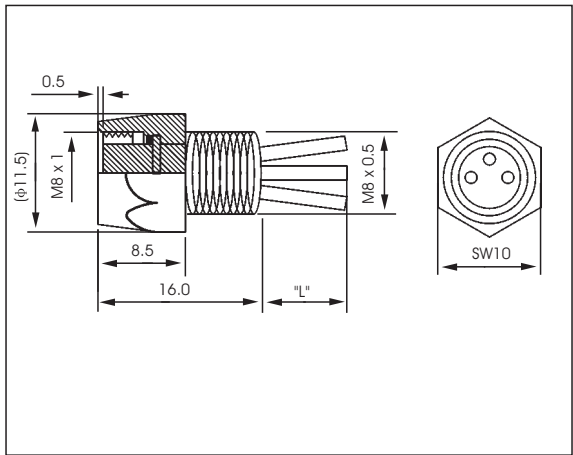
# PICO-STYLE QUICK DISCONNECT CABLES

## View



- Female Pico-style receptacle
- Front mounting, locking device with wire ends thread chassis side M8x0.5
- Potted with epoxy

## Dimensional data



## Technical Data

Application Class: HNE acc.to DIN 40040  
(-25 °C / +90 °C / ≤ 75%rF)

Insert: POM

Nominal Power: 4A

Nominal Voltage: 60VAC/75VDC

Contact: CuZn,pre-nickeled and  
0.8microns gold-plated

Receptacle Housing: Nickel plated brass

O-Ring: Viton

Protection: IP 67

Contact Resistance: 5m Ω

Insulation Group: C acc.to VDE 0110

Test Voltage: 1.5 KV eff./ 60 s.

Insulation Resistance: > 10<sup>9</sup>Ω

CSA certified: 219967

## Catalog Number

Part-No	Poles	Face View female	Color Code	Conductors		Conductor insulation φ mm(single)
				Guage	Stranding	
C-FS3FZ/0.5/M8	3		1=brown 3=blue 4=black	0.25mm <sup>2</sup>	32x φ 0.10	1.8
C-FS4FZ/0.5/M8	4		1=brown 2=white 3=blue 4=black	0.25mm <sup>2</sup>	32x φ 0.10	1.8

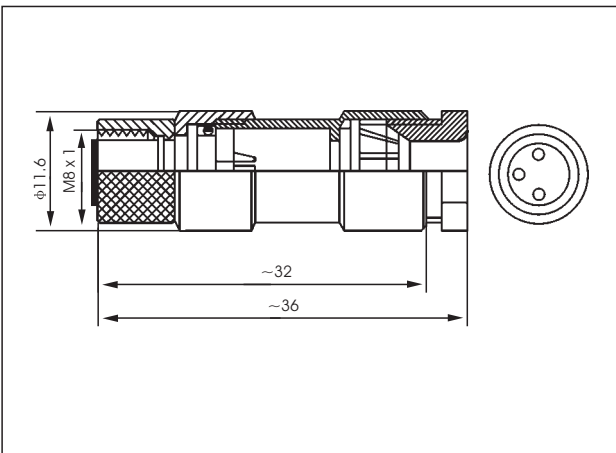
Standard length: 2.0 m, 3.0 m, 7.5 m, 10.0 m. Other cable length or cable specifications on request.

# PICO-STYLE QUICK DISCONNECT RECEPTACLES

## View Dimensional data



- Female pico-style
- With locknut
- Field connector allow for easy installation
- Can be used to retro-fit hard wired devices or cable assemblies



## Technical Data

Application Class:	HNE acc. to DIN 40040 (-25 °C / +90 °C / ≤ 75%rF)	Body:	PA 6.6
Nominal Power:	4A	Insulation Group:	C acc.to VDE 0110
Nominal Voltage:	60 VAC/75 VDC	Locknut:	Nickel plated brass
Contact:	CuZn, pre-nickel and 0.8 microns gold-plated	Protection:	IP 67(only in fully locked position)
		O-Ring:	NBR
		Test Voltage:	1.0 KV eff./60s.
		Insulation Resistance	> 10 <sup>9</sup> Ω
		CSA certified:	219967

## Catalog Number

Part-No	Poles	Face View female	Max. Wire section	Screw Joint for cable
C-FS3KZ	3		Max 0.25mm <sup>2</sup>	cable passage 3.5 - 5.0mm
C-FS4KZ	4		Max 0.25mm <sup>2</sup>	cable passage 3.5 - 5.0mm

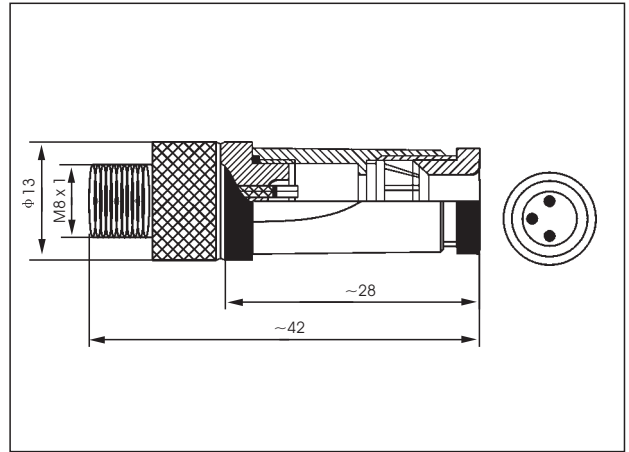
# PICO-STYLE QUICK DISCONNECT RECEPTACLES

## View



- With freely rotating locknut

## Dimensional data



## Technical Data

Application Class:	HNE acc. to DIN 40040 (-25 °C / +90 °C / ≤ 75%rF)	Insulation Group:	C acc.to VDE 0110
Nominal Power:	4A	Locknut:	Nickel plated brass
Nominal Voltage:	60VAC/75VDC	Protection:	IP 67(only in fully locked position)
Contact:	CuZn, pre-nickeled and 0.8 microns gold-plated	Mode of Connection:	Screw clamp
Body:	Nickel plated brass	Test Voltage:	1.0 KV eff./60s.
		Insulation Resistance:	>10 <sup>9</sup> Ω
		CSA certified:	219967

## Catalog Number

Part-No	Poles	Face View male	Max. Wire section	Screw Joint for cable
C-MS3KZ	3		Max 0.25mm <sup>2</sup>	cable passage 3.5 - 5.0mm
C-MS4KZ	4		Max 0.25mm <sup>2</sup>	cable passage 3.5 - 5.0mm

Standard length: 2.0 m, 5.0 m, 7.5 m, 10.0 m. Other cable length or cable specifications on request.

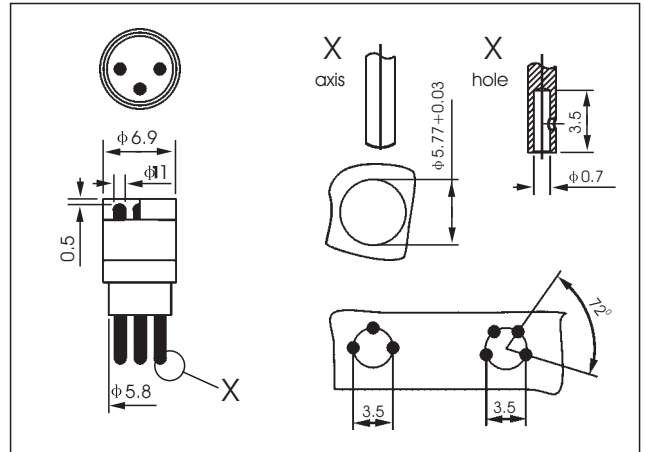
# PICO-STYLE QUICK DISCONNECT RECEPTACLES

## View



- Pico-style insert
- For proximity switch M8
- Snap-in device
- With long solder Contacts

## Dimensional data



## Technical Data

Application Class: HNE acc.to DIN 40040  
(-25 °C / +90 °C / ≤ 75%rF)

Nominal Power: 4A

Nominal Voltage: 60VAC/75VDC

Contact: CuZn, pre-nickeled and  
0.8microns gold-plated

Moulded Body: PA 6.6 GF, self-extinguishing

Protection: IP 65

Mode of Connection: Solder types

Insulation Group: C acc.to VDE 0110

Test Voltage: 1.5 KV eff./ 60 s.

Insulation Resistance: >10<sup>9</sup>Ω

CSA certified: 219967

## Catalog Number

Part-No	Poles	Face View male	Contact (Soldering side)	Max. Wire section
C-MS3NZ-G	3		Empty conductor	Max 0.25 mm <sup>2</sup>
C-MS4NZ-G	4		Empty conductor	Max 0.25 mm <sup>2</sup>
C-MS3NZ-F	3		Solid conductor	—
C-MS4NZ-F	4		Solid conductor	—

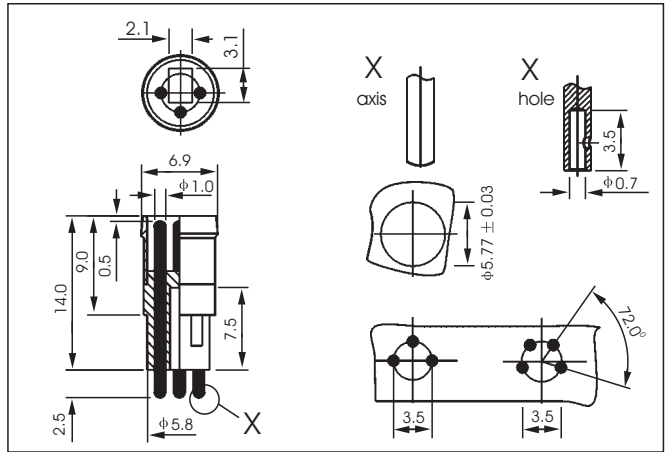
# PICO-STYLE QUICK DISCONNECT RECEPTACLES

## View



- Pico-style insert
- for proximity switch M8
- Snap-in device
- Transparent washer

## Dimensional data



## Technical Data

Application Class:	HNE acc. to DIN 40040 (-25 °C / +90 °C / ≤ 75%rF)	Moulded Body:	PA 6.6 GF, self-extinguishing
Nominal Power:	4A	Protection:	IP 65
Nominal Voltage:	60VAC/75VDC	Mode of Connection:	Solder type
Contact:	CuZn, pre-nickel and 0.8 microns gold-plated	Insulation Group:	C acc. To VDE 0110
		Test Voltage:	1.5KV eff./60s.
		Insulation Resistance:	>10 <sup>9</sup> Ω
		CSA certified:	219967

## Catalog Number

Part-No	Poles	Face View male	Contact (Soldering side)	Max. Wire section
C-MS3NN/P-J	3		Empty conductor	Max 0.25 mm <sup>2</sup>
C-MS4NN/P-J	4		Empty conductor	Max 0.25 mm <sup>2</sup>
C-MS3NN/P-H	3		Solid conductor	-
C-MS4NN/P-H	4		Solid conductor	-



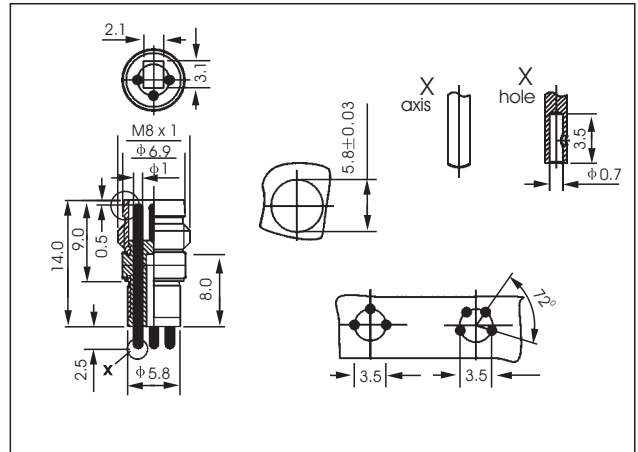
# PICO-STYLE QUICK DISCONNECT RECEPTACLES

## View



- For proximity switch M8
- Snap-in/locking device
- With short solder contacts
- 4 light indicator windows
- Mounting hole for LED

## Dimensional data



## Technical Data

Application Class: HNE acc.to DIN 40040

(-25 °C / +90 °C / ≤ 75%rF)

Nominal Power: 4A

Nominal Voltage: 60VAC/75VDC

Contact: CuZn, pre-nickeled and 0.8microns gold-plated

Moulded Body: PA 6.6 GF, self-extinguishing

Protection: IP 65

Mode of Connection: Solder types

Insulation Group: C acc.to VDE 0110

Test Voltage: 1.5 KV eff./ 60 s.

Insulation Resistance: >10<sup>9</sup> Ω

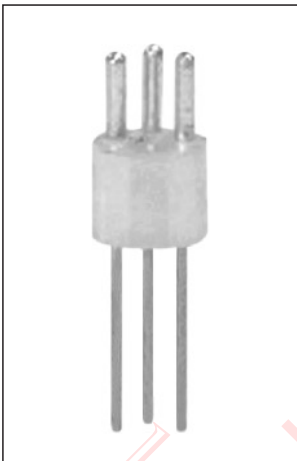
CSA certified: 219967

## Catalog Number

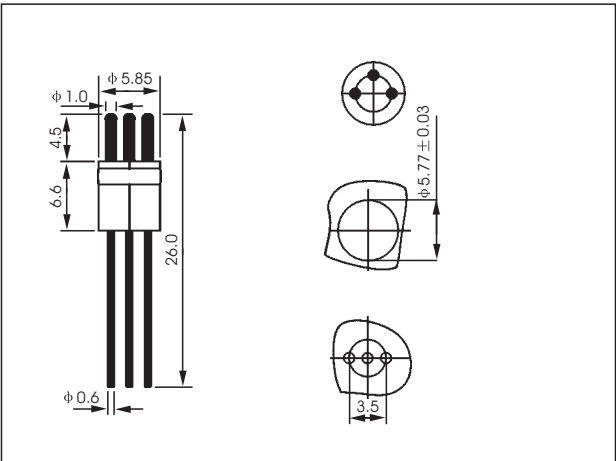
Part-No	Poles	Face View male	Contact (Soldering side)	Max. Wire section
C-MS3NN/P-D	3		Empty conductor	Max 0.25 mm <sup>2</sup>
C-MS4NN/P-D	4		Empty conductor	Max 0.25 mm <sup>2</sup>
C-MS3NN/P-B	3		Solid conductor	-
C-MS4NN/P-B	4		Solid conductor	-

# PICO-STYLE QUICK DISCONNECT RECEPTACLES

## View Dimensional data



- Pico-style plug insert for proximity switch M8
- With long solder contacts




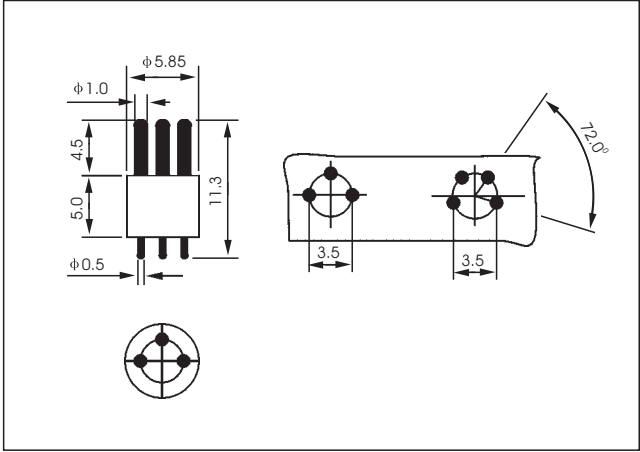
## Technical Data

Application Class:	HNE acc. to DIN 40040 (-25 °C / +90 °C / ≤ 75%rF)	Moulded Body:	PA 6.6 GF, self-extinguishing
Nominal Power:	4A	Mode of connection:	Solder type
Nominal Voltage:	60VAC/75VDC	Insulation Group:	C acc.to VDE 0110
Contact:	CuZn, pre-nickeled and 0.8 microns gold-plated	Test Voltage:	1.5KV eff./60s.
		Insulation Resistance:	>10 <sup>9</sup> Ω
		CSA certified:	219967

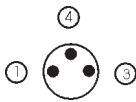
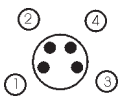
## Catalog Number

Part-No	Poles	Face View male	Max. Wire section	Contact (Soldering side)
C-MS3-L	3		—	Sold conductor

# PICO-STYLE QUICK DISCONNECT RECEPTACLES

View	Dimensional data
 <ul style="list-style-type: none"> <li>Pico-style plug insert for proximity switch M8</li> <li>With short solder contacts</li> </ul>	

Technical Data	
Application Class: HNE acc.to DIN 40040 (-25 °C / +90 °C / ≤ 75%rF)	Moulded Body: PA 6.6 GF, self-extinguishing
Nominal Power: 4A	Mode of Connection: Solder types
Nominal Voltage: 60VAC/75VDC	Insulation Group: C acc.to VDE 0110
Contact: CuZn, pre-nickeled and 0.8microns gold-plated	Test Voltage: 1.5 KV eff./ 60 s.
	Insulation Resistance: > 10 <sup>9</sup> Ω
	CSA certified: 219967

Catalog Number				
Part-No	Poles	Face View male	Ventilation Hole φ mm	Contact (Soldering side)
C-MS3-S	3		-	Soid conductor
C-MS4-S	4		-	Soid conductor

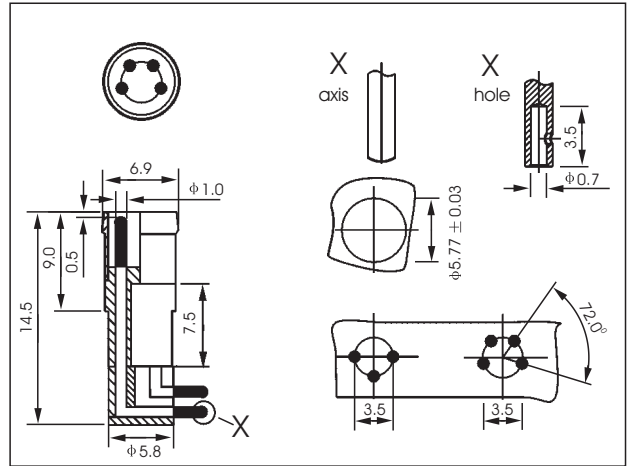
# PICO-STYLE QUICK DISCONNECT RECEPTACLES

## View



- Pico-style insert
- for proximity switch M8
- Snap-in device

## Dimensional data



## Technical Data

Application Class:	HNE acc. to DIN 40040 (-25 °C / +90 °C / ≤ 75%rF)	Moulded Body:	PA 6.6 GF, self-extinguishing
Nominal Power:	4A	Protection:	IP 65
Nominal Voltage:	60VAC/75VDC	Mode of Connection:	Solder type
Contact:	CuZn, pre-nickel and 0.8 microns gold-plated	Insulation Group:	C acc. To VDE 0110
		Test Voltage:	1.5KV eff./60s.
		Insulation Resistance:	>10 <sup>9</sup> Ω
		CSA certified:	219967

## Catalog Number

Part-No	Poles	Face View male	Contact (Soldering side)	Max. Wire section
C-MA3NN/P-J	3		Empty conductor	Max 0.25 mm <sup>2</sup>
C-MA4NN/P-J	4		Empty conductor	Max 0.25 mm <sup>2</sup>
C-MA3NN/P-H	3		Solid conductor	-
C-MA4NN/P-H	4		Solid conductor	-

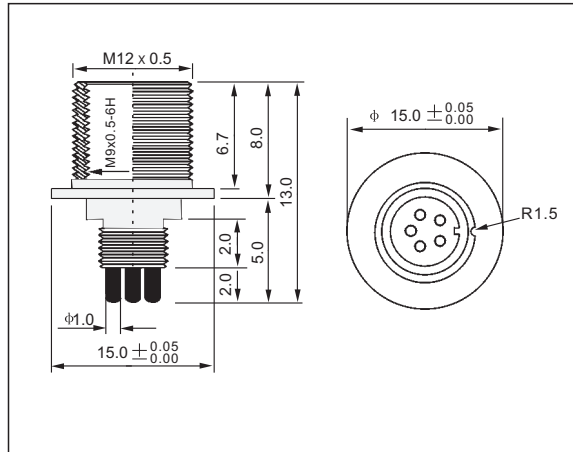
# EURO-STYLE QUICK DISCONNECT RECEPTACLES

## View



- Euro-style receptacles
- Front mounting, wire ends, thread chassis side PG9
- Back mounting with nut RMF9(see page C-34)
- Solder contacts potted with epoxy

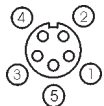
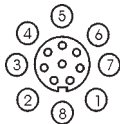
## Dimensional data



## Technical Data

Application Class:	HNA acc. to DIN 40040 (-25 °C / +90 °C / ≤ 100%rF)	Receptacle Housing:	Nickel plated brass
Moulded Body:	PA, self-extinguishing 8poles TPU, Self-extinguishing	O-Ring:	Viton
Nominal Power:	4A , 8 poles=1.5A	ProtEction:	IP 68
Nominal Voltage:	3+4poles, 250VAC/300VDC 5+8poles, 30VAC/36VDC	Insulation Group:	Cacc.to VDE0110
Contact:	CuZn, pre-nickeled and 0.8 microns gold-plated	Test Voltage:	2.0 KV eff./60s. 8poles=1.5 KV eff./60s.
		Insulation Resistance:	> 10 <sup>9</sup> Ω

## Catalog Number

Part-No	Poles	Face View Female	Color Code	Conductors		Conductor insulation φ mm(single)
				Guage	Stranding	
FS5FZ/0.5/PG9/M12	5		1=brown 2=white 3=blue 4=black 5=gray	0.34mm <sup>2</sup>	42 x φ 0.10	1.6
				0.50mm <sup>2</sup>	16 x φ 0.20	1.8
FS8FZ/0.5/PG9/M12	8		1=white 2=brown 3=green 4=yellow 5=grey 6=pink 7=blue 8=red	0.25mm <sup>2</sup>	32 x φ 0.10	1.6