





STP-□D/H5M series

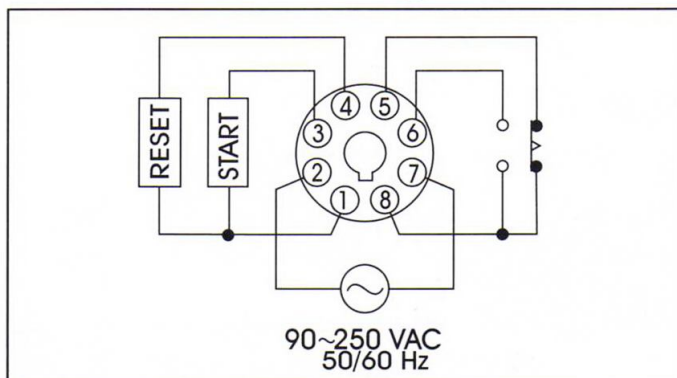
MULTI-FUNCTION DIGITAL TIMER

Outline	50 x 60			48 x 48
Model	STP-2D	STP-3D	STP-4D	H5M-4D
Figure				
Range	0~99	0~999	0~9999	
Display	0.56" Red LED	0.56" Red LED	0.4" Red LED	0.36" Red LED
Weight	150g	155g	160g	155g
Unit	S→0.1S→0.01S→M→0.1M→H→0.1H			Selectable

Specification

Power Supply	90~250 VAC 50/60 Hz
Wattage	5VA max.
Memory Method	EEPROM.
Timing Method	UP or Down Selecting
Time Input	Hi > 6V, Lo < 2V
Reset Input	Hi > 6V, Lo < 2V
Output Method	Relay, 10A
Output Control	N / R Selectable
Control Method	10 mode
DC Output	60 mA / 12 VDC
Delay Timer<t>	0.1~9.9 S
Insulation Strength	100 MΩ / 500 VDC
Dielectric Strength	2.5KV / 1 min.
Circumstance	-20° ~ +60°C, 35 ~ 85% RH
Life	20 X 10 ⁶ Timer

Connection Diagram



Illumination

Unit : S→0.1S→0.01S→M→0.1M→H→0.1H

< Push (RST) & (RST) Key To Select The Unit >

Slide Switch

"N" : Manual Reset

"R" : Auto Reset

"LK" : To Lock Unit Selection

"UL" : To Unlock Unit Selection

Inside DIP Switch

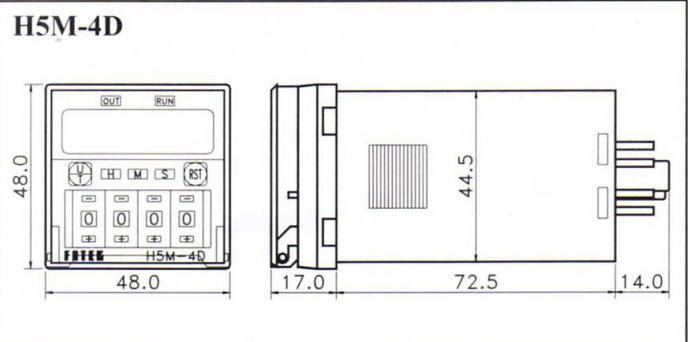
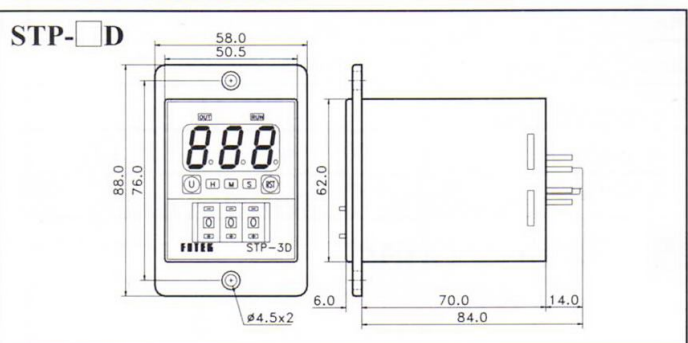
No.1 : ON=Memory

: OFF=Non-Memory

No.2 : ON=Down Timing

: OFF=UP Timing

Dimension



STP-□D/H5M series

